



US00D522798S

(12) **United States Design Patent**  
**Wilgus**

(10) **Patent No.:** **US D522,798 S**

(45) **Date of Patent:** **\*\* Jun. 13, 2006**

(54) **CAMPING STOVE**

(75) **Inventor:** **Mitchell L. Wilgus**, Andover, KS (US)

(73) **Assignee:** **The Coleman Company, Inc.**, Wichita, KS (US)

(\*\*) **Term:** **14 Years**

(21) **Appl. No.:** **29/212,105**

(22) **Filed:** **Aug. 26, 2004**

(51) **LOC (8) Cl.** ..... **07-02**

(52) **U.S. Cl.** ..... **D7/337**

(58) **Field of Classification Search** ..... D7/332-337,  
D7/362-367, 402; 126/25 R, 25 A, 25 AA,  
126/40, 41 R, 37 R, 38-39 R, 50, 304 R,  
126/305, 9 R, 19 M; 99/450; 219/451.1,  
219/452.11, 455.11, 385, 520, 450.1  
See application file for complete search history.

- D437,183 S 2/2001 Wong et al.
- D444,667 S 7/2001 Wong et al.
- D450,976 S 11/2001 Mosher
- D455,041 S 4/2002 Smith
- D464,843 S 10/2002 Schulte et al.
- D469,298 S 1/2003 Hinton et al.
- D472,757 S 4/2003 Schulte et al.
- D498,113 S 11/2004 Zhang
- D503,868 S 4/2005 Pai
- D504,275 S 4/2005 Pai
- D504,795 S 5/2005 Schulte et al.
- D505,045 S 5/2005 Assmann
- D506,636 S 6/2005 Schulte et al.

\* cited by examiner

*Primary Examiner*—Ruth McInroy

(74) *Attorney, Agent, or Firm*—Leydig, Voit & Mayer Ltd.

(57) **CLAIM**

The ornamental design for a camping stove, as shown and described.

(56) **References Cited**

**U.S. PATENT DOCUMENTS**

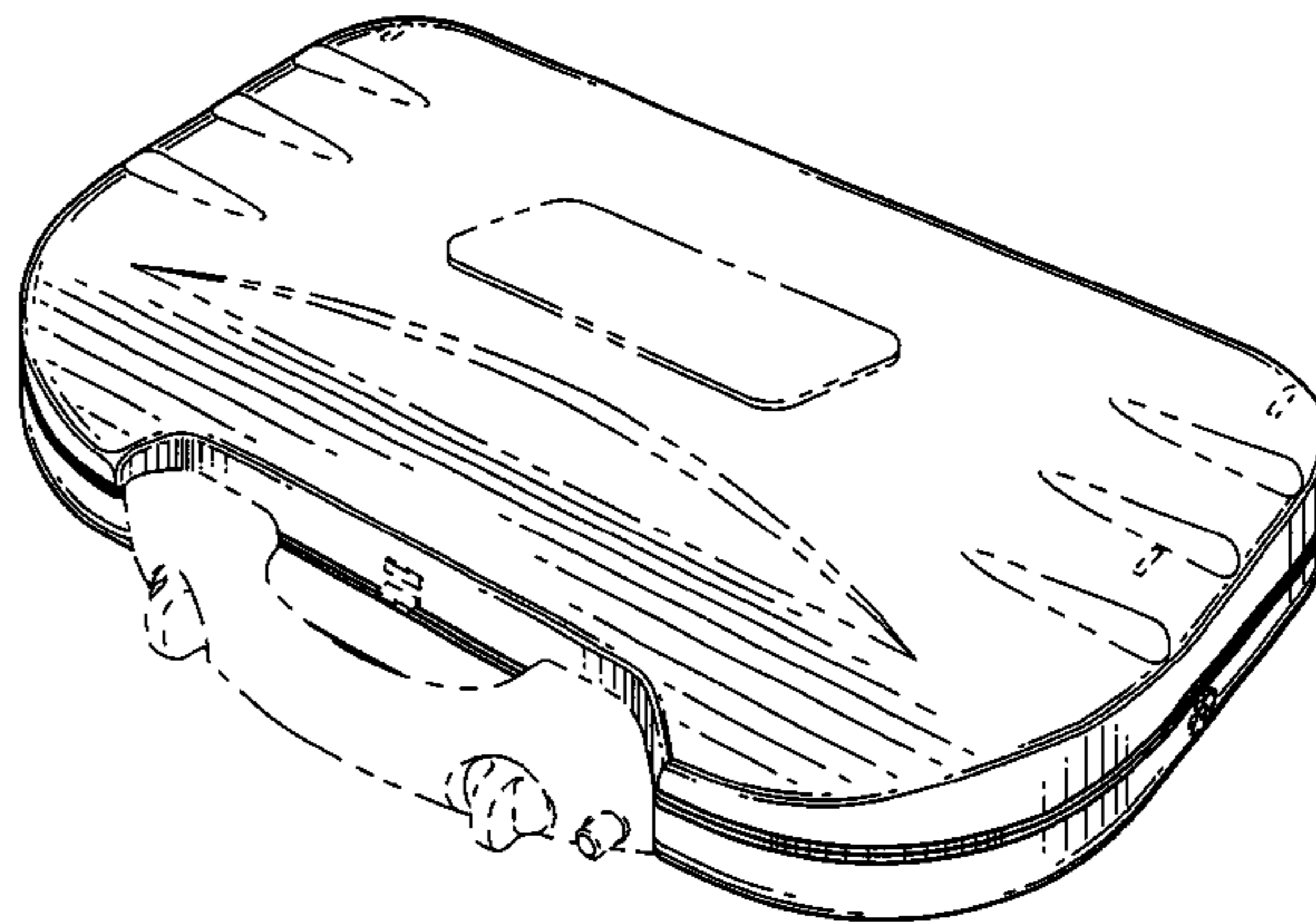
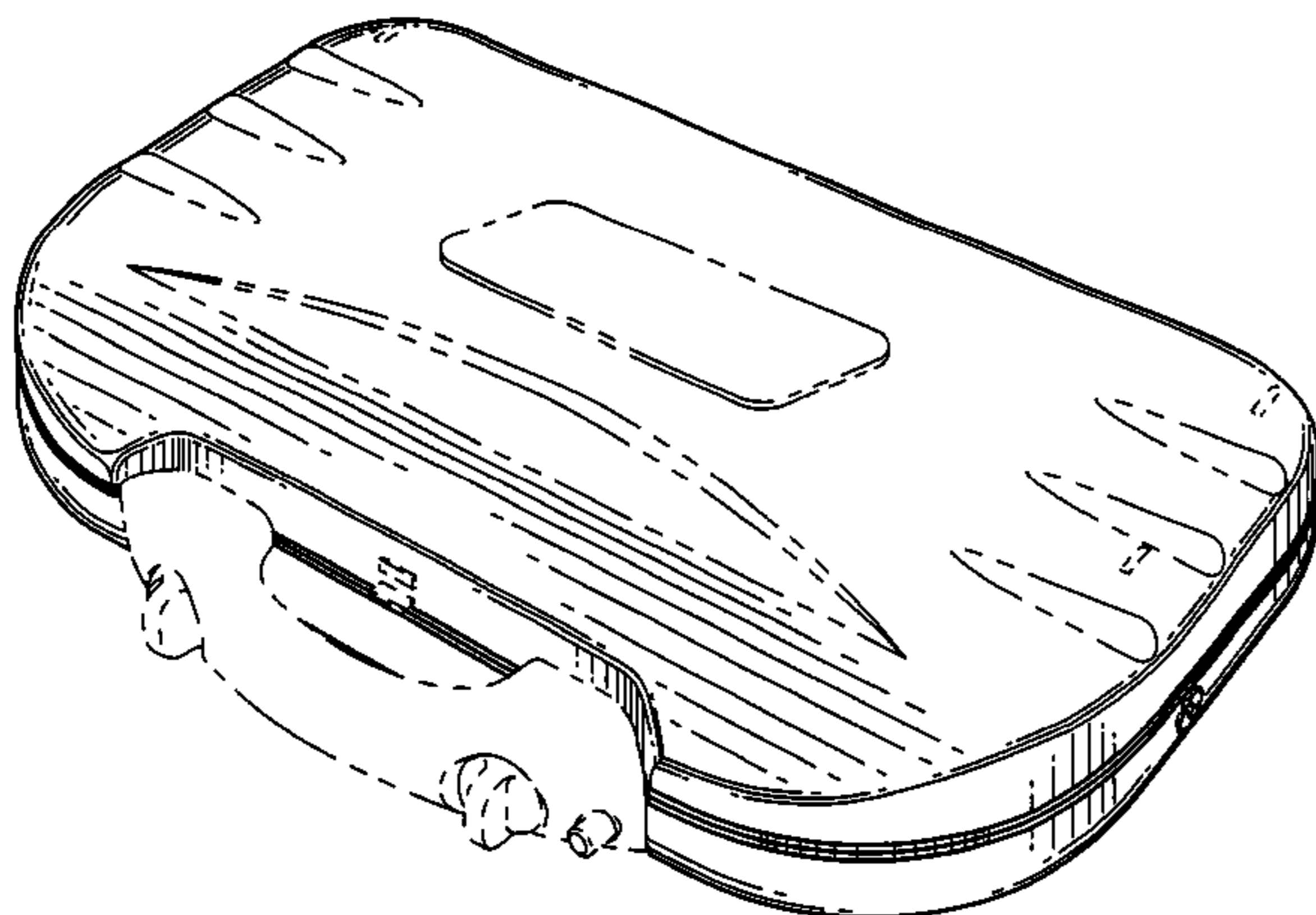
- D216,233 S \* 12/1969 Gruver et al. .... D7/337
- D226,872 S 5/1973 Benson
- D227,850 S 7/1973 Benson
- D229,448 S 11/1973 Traclet
- D245,220 S 8/1977 Chan
- D251,893 S 5/1979 Chan
- D251,894 S 5/1979 Chan
- D253,218 S 10/1979 Johnson
- D276,303 S 11/1984 Chan
- D291,399 S 8/1987 Chan
- D334,108 S 3/1993 Fisher
- D347,548 S 6/1994 Boehm et al.
- D384,546 S 10/1997 Lin
- 5,782,230 A 7/1998 Linnebur et al.
- D406,722 S 3/1999 Benton et al.
- D407,598 S 4/1999 Deni et al.
- D412,808 S 8/1999 Hinton et al.
- D414,982 S 10/1999 Hopkins et al.
- D415,925 S 11/1999 Pai
- D427,480 S 7/2000 Brady
- D432,852 S 10/2000 Mosher, II et al.

**DESCRIPTION**

FIG. 1 is a top, right perspective view of a camping stove showing our new design;  
 FIG. 2 is a front view thereof;  
 FIG. 3 is a rear view thereof;  
 FIG. 4 is a left side view thereof;  
 FIG. 5 is a right side view thereof;  
 FIG. 6 is a top view thereof;  
 FIG. 7 is a bottom view thereof;  
 FIG. 8 is a top, right, perspective view of a camping stove showing a second embodiment of our new design;  
 FIG. 9 is a front view thereof;  
 FIG. 10 is a rear view thereof;  
 FIG. 11 is a left side view thereof;  
 FIG. 12 is a right side view thereof;  
 FIG. 13 is a top view thereof; and,  
 FIG. 14 is a bottom view thereof.

The broken lines are to disclose the environment related to the claimed design, and are not considered to be part of the claimed design.

**1 Claim, 4 Drawing Sheets**



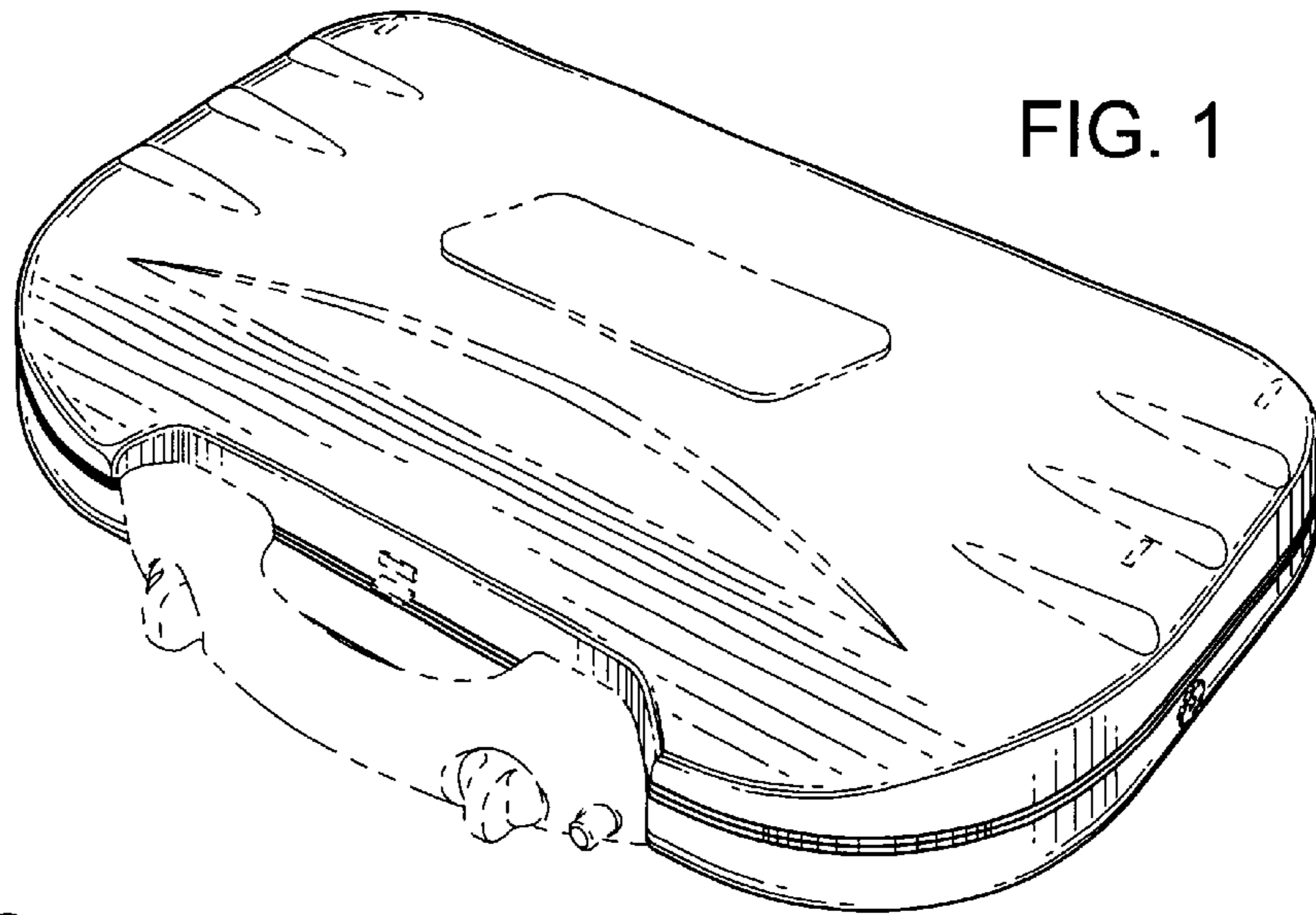


FIG. 2

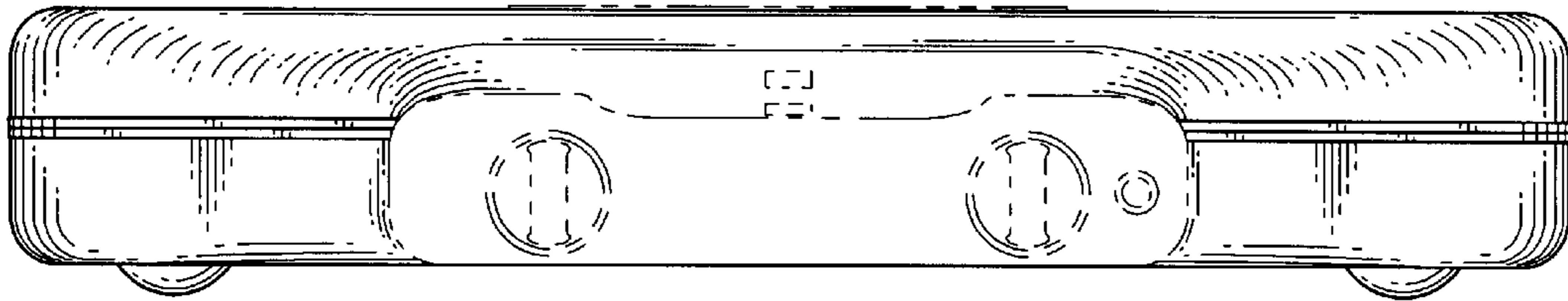


FIG. 3

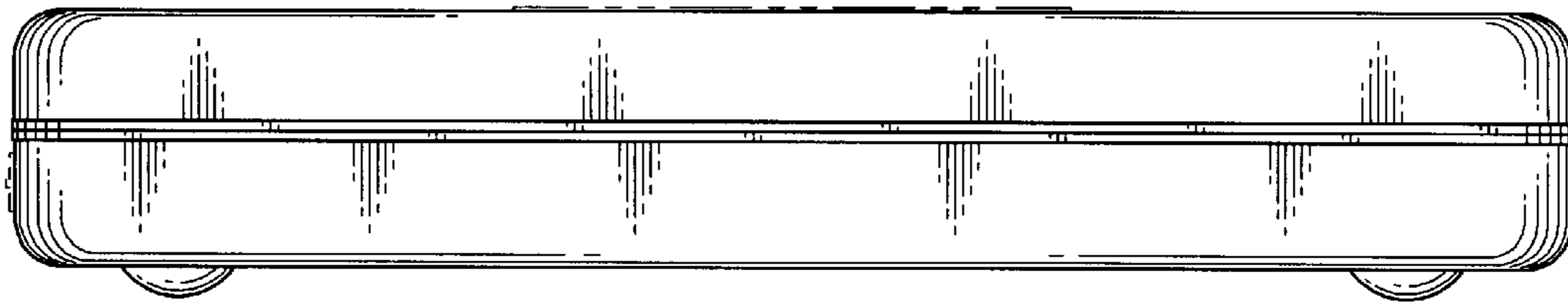


FIG. 4

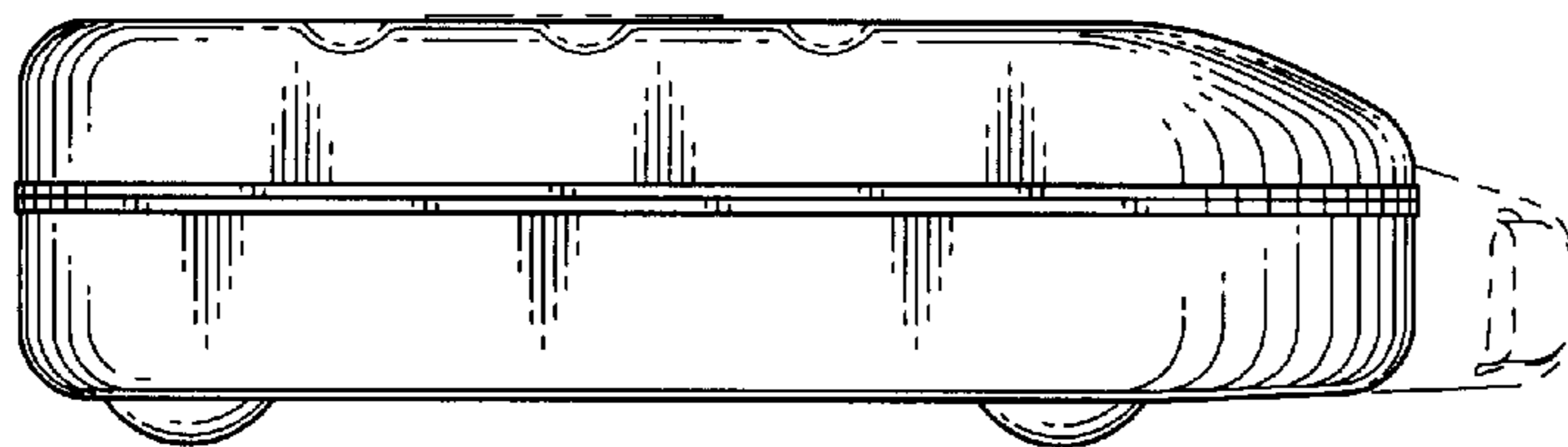


FIG. 5

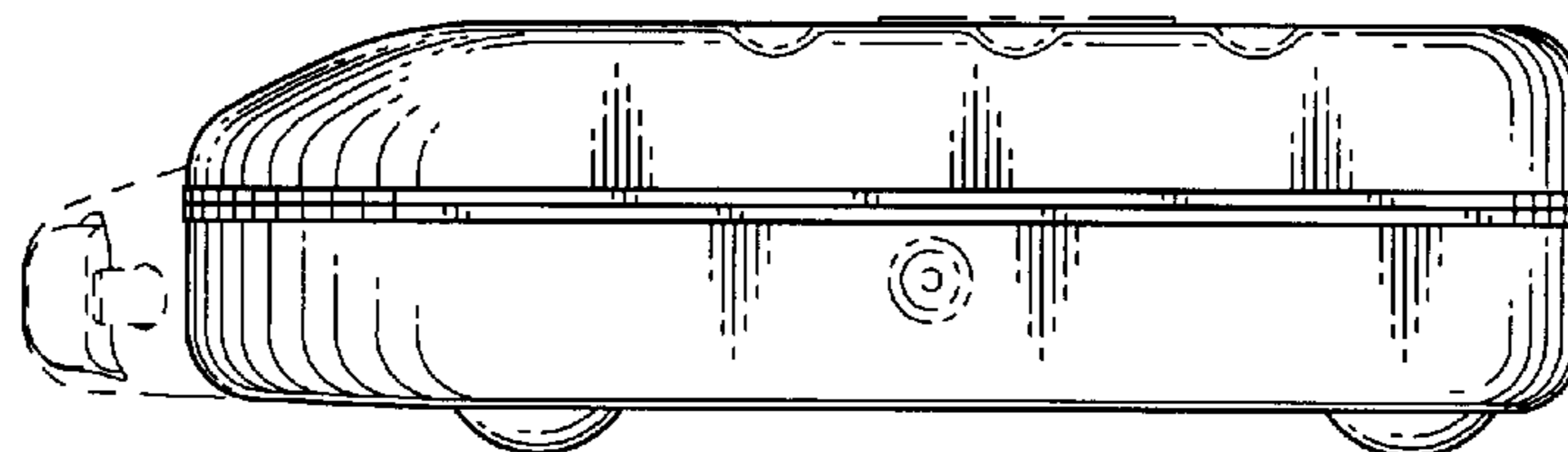


FIG. 6

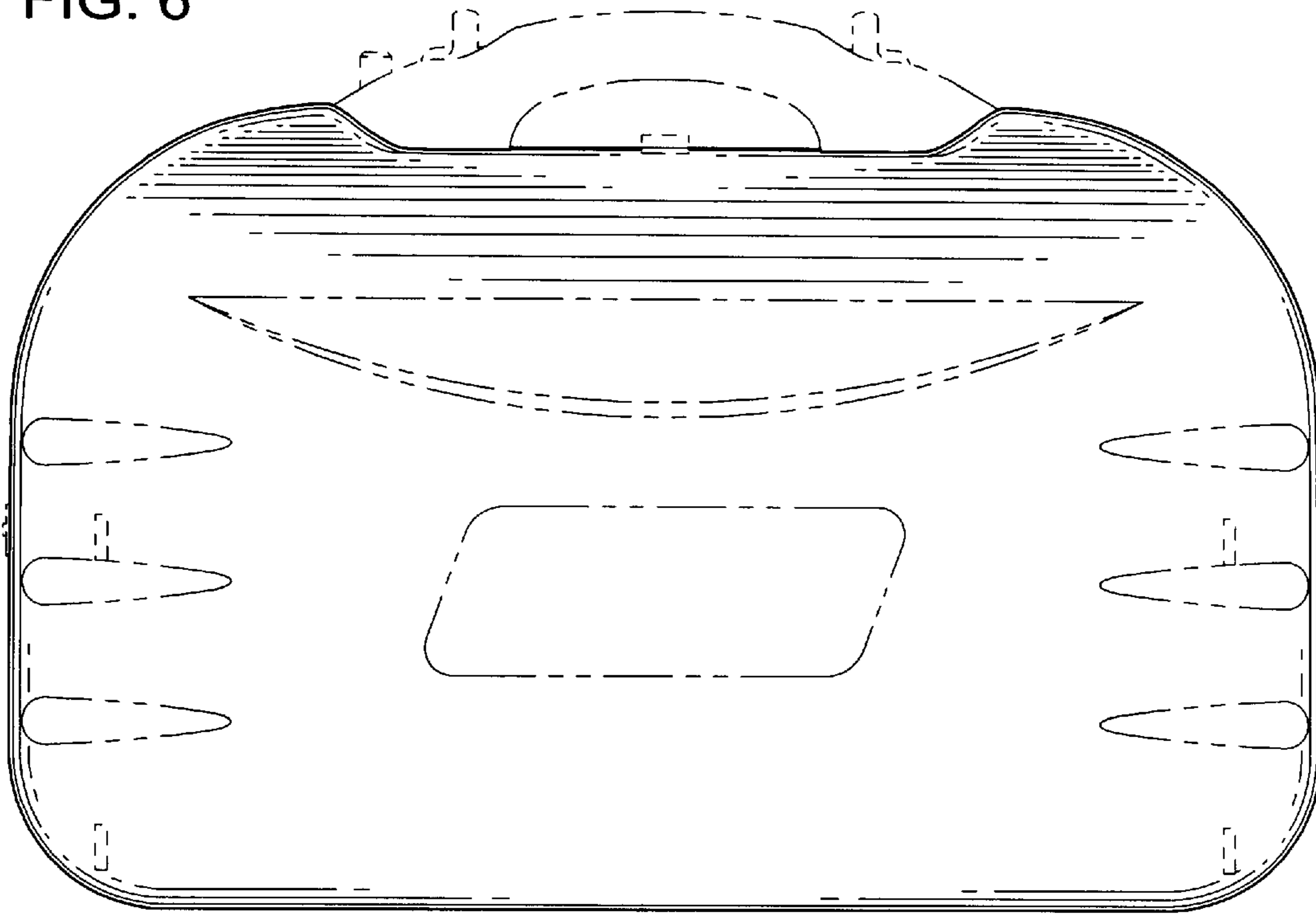
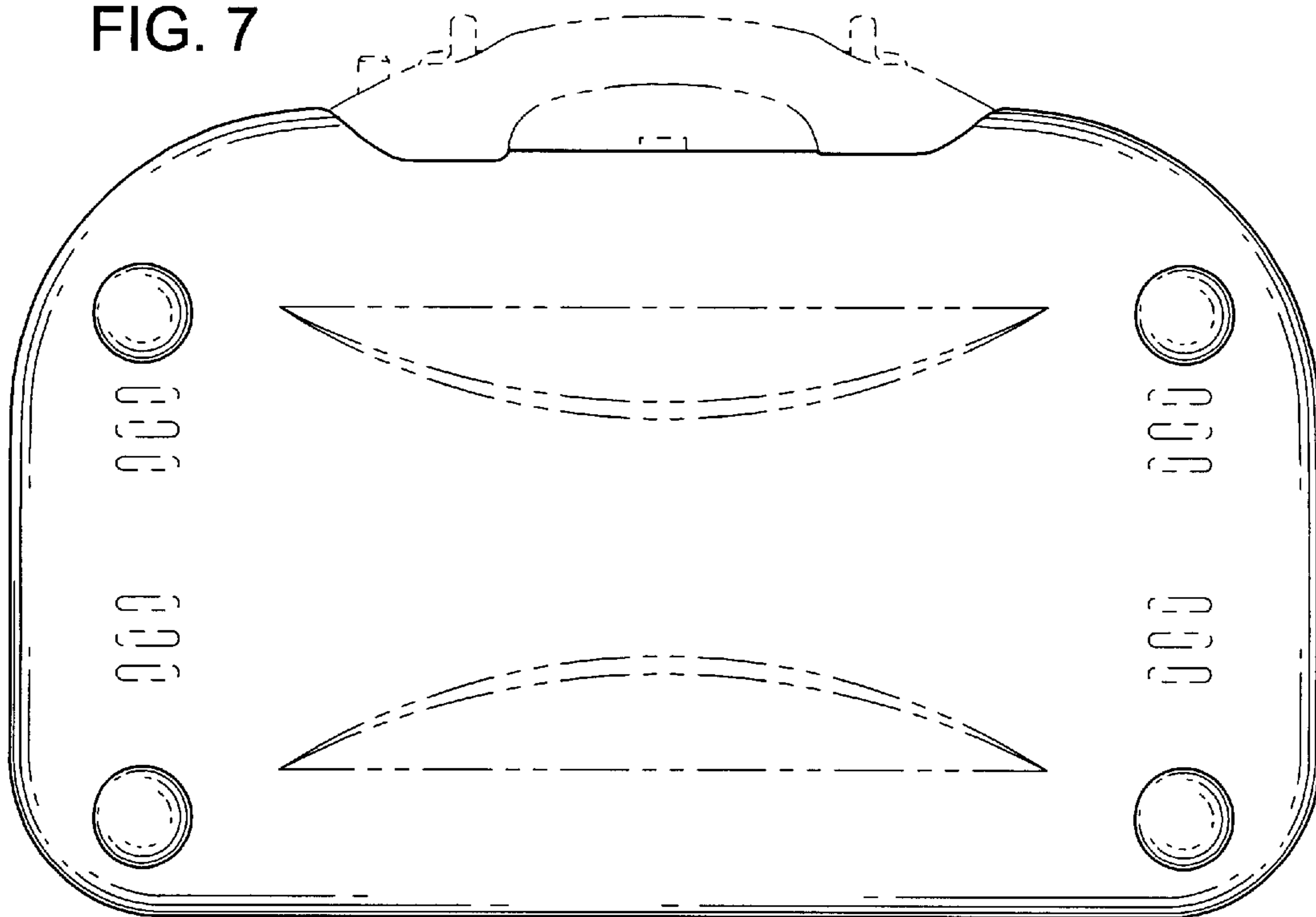


FIG. 7



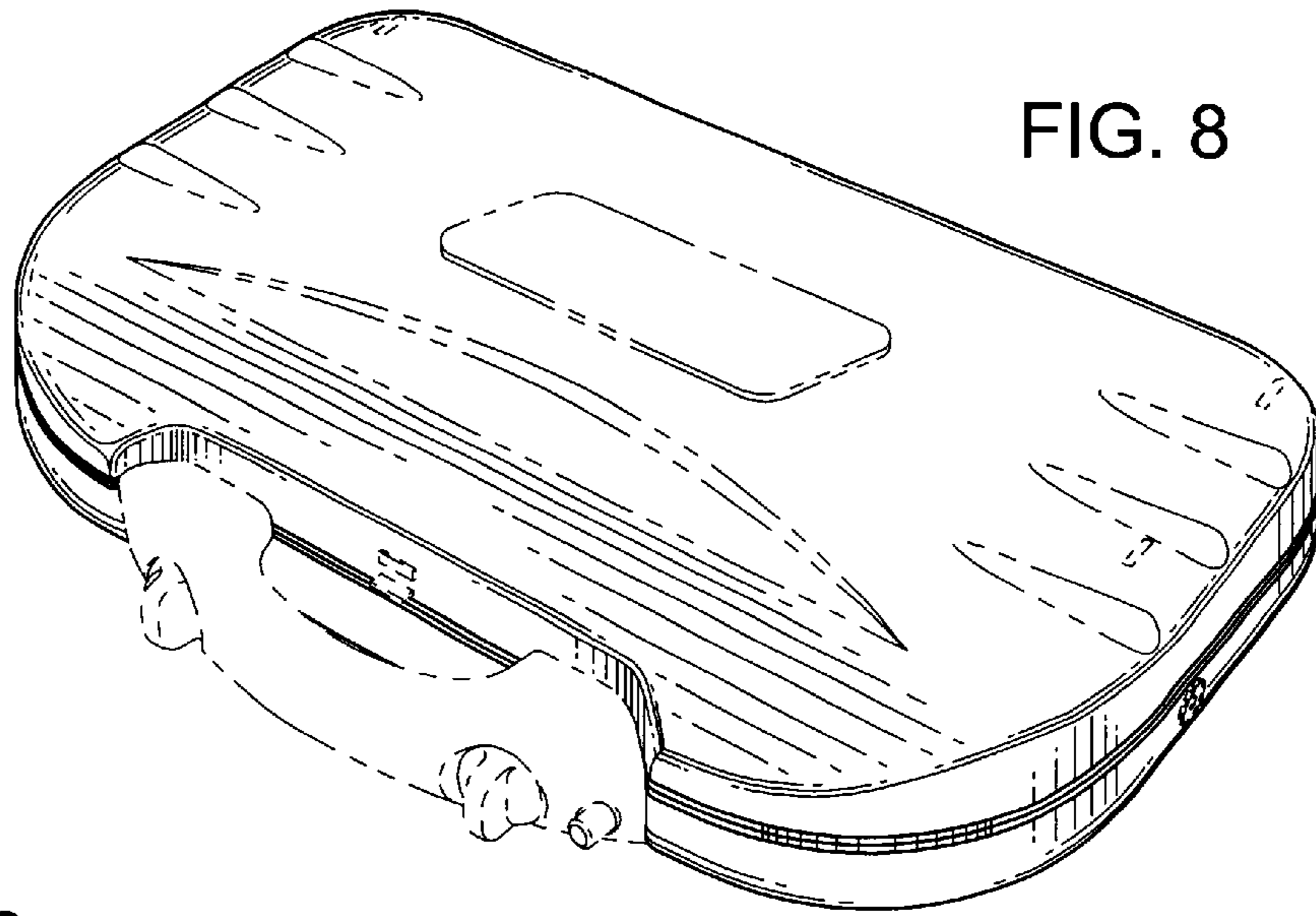


FIG. 8

FIG. 9

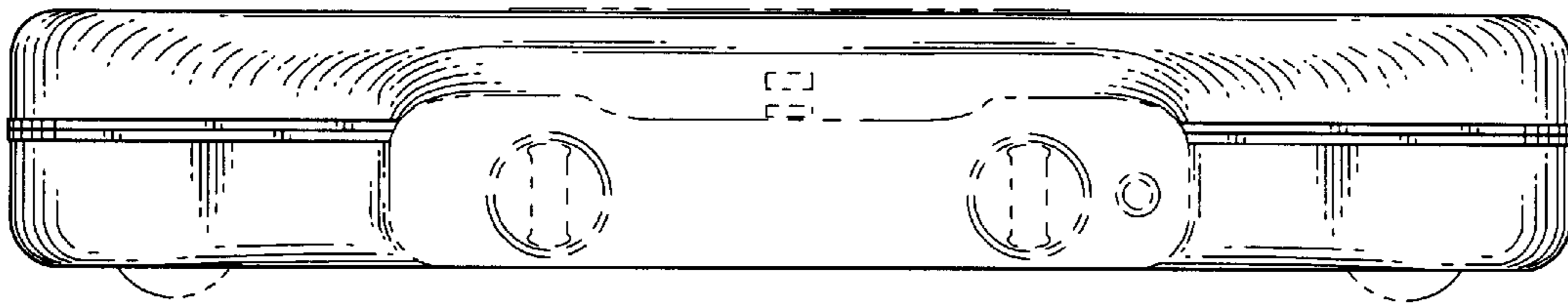


FIG. 10

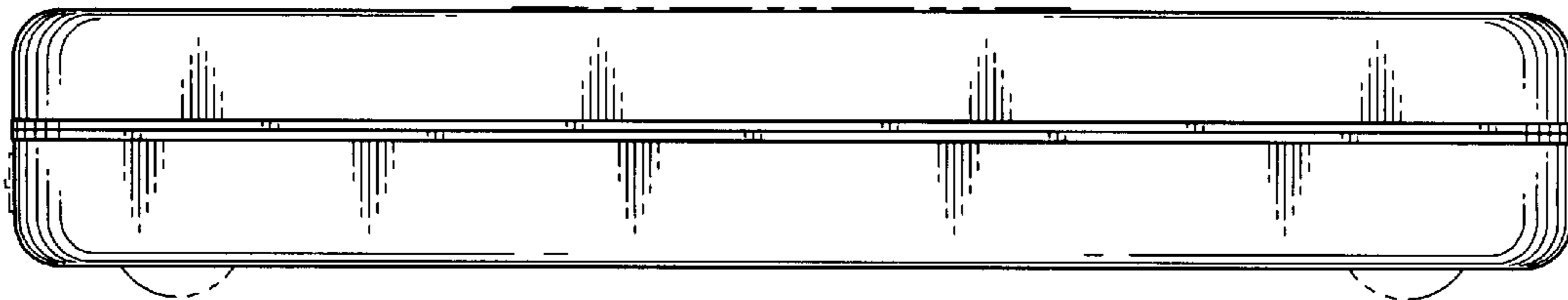


FIG. 11

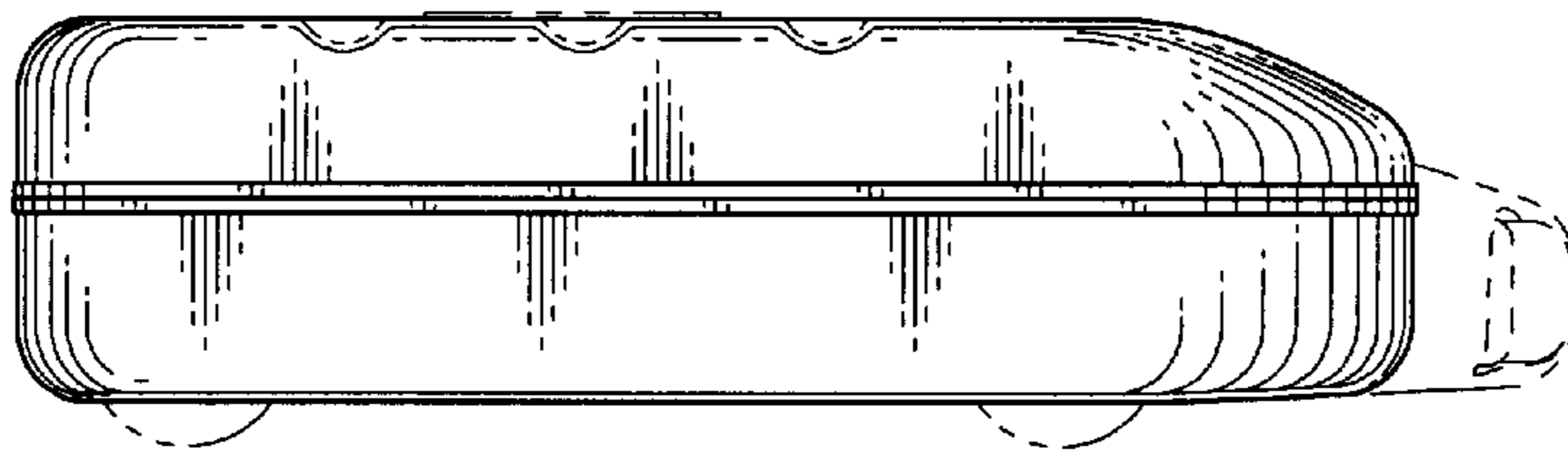


FIG. 12

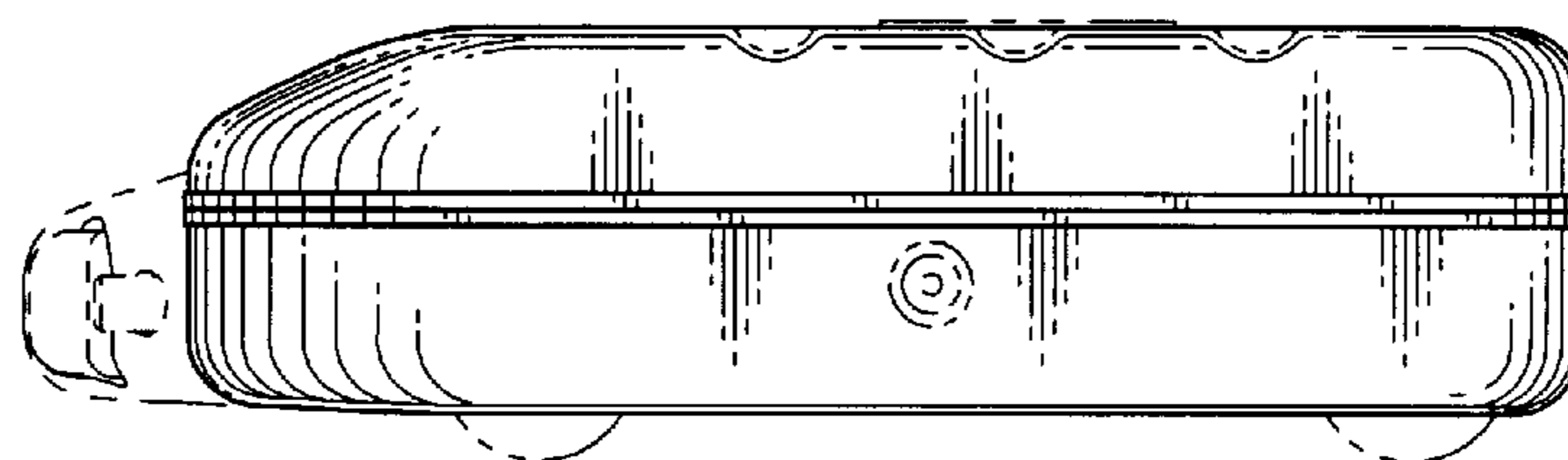


FIG. 13

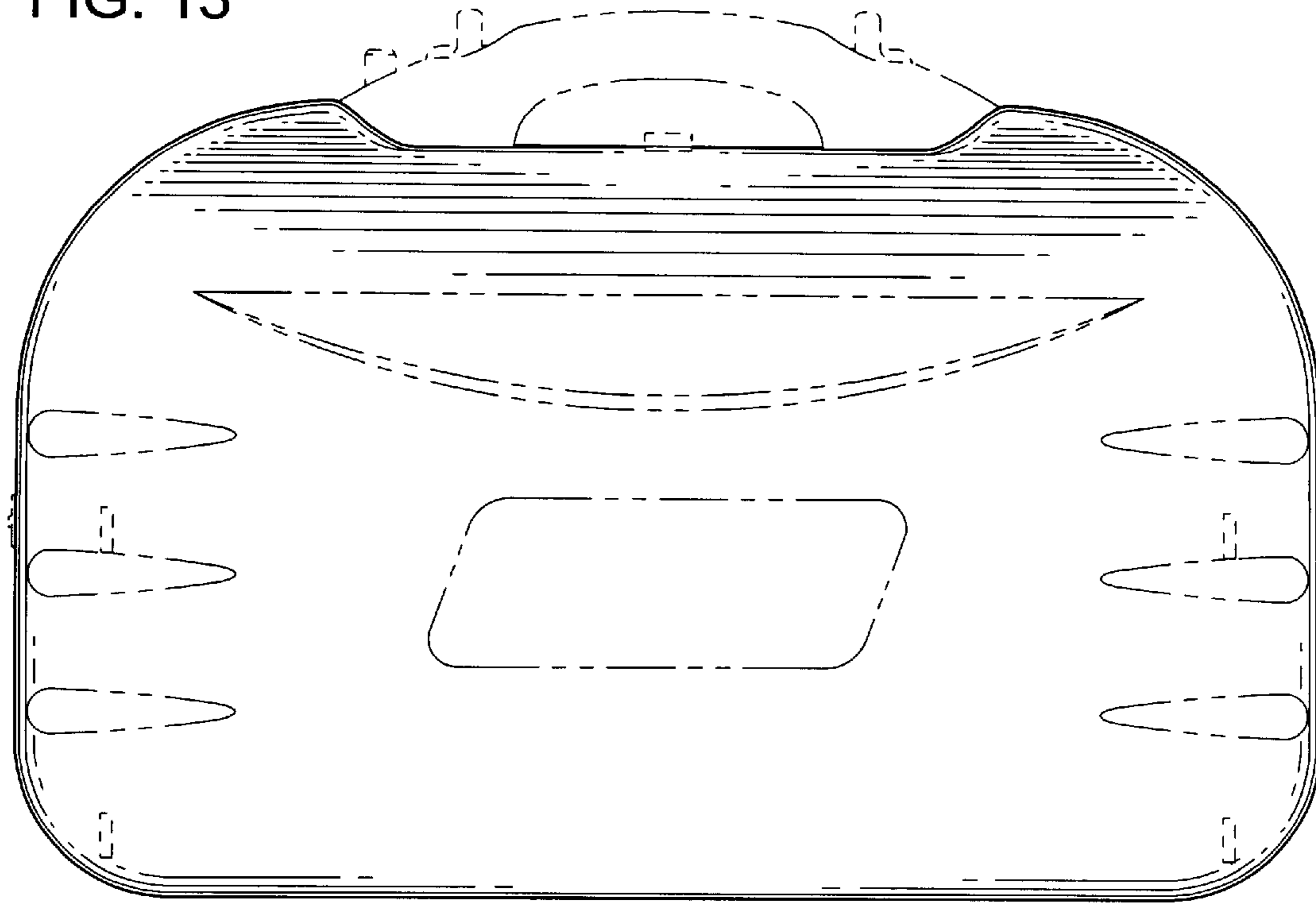


FIG. 14

