



US00D522793S

(12) **United States Design Patent**
Weaden

(10) **Patent No.:** **US D522,793 S**
(45) **Date of Patent:** **** Jun. 13, 2006**

- (54) **ESPRESSO COFFEE MACHINE**
- (75) Inventor: **Jamie Weaden**, Southsea (GB)
- (73) Assignee: **Kenwood Limited**, Hampshire (GB)
- (**) Term: **14 Years**
- (21) Appl. No.: **29/218,043**
- (22) Filed: **Nov. 23, 2004**
- (30) **Foreign Application Priority Data**

May 28, 2004 (EP) 000183686

- (51) **LOC (8) Cl.** **07-01**
 - (52) **U.S. Cl.** **D7/309; D7/311**
 - (58) **Field of Classification Search** **D7/300,**
D7/309, 306, 305, 310, 311; 99/293, 287,
99/289 R, 288, 279
- See application file for complete search history.

(56) **References Cited**

U.S. PATENT DOCUMENTS

D299,998 S	*	2/1989	Seiffert	D7/309
D419,362 S	*	1/2000	Bouhuys	D7/306
D429,594 S	*	8/2000	Lin	D7/309
D445,291 S	*	7/2001	Fregnan	D7/309
D449,200 S	*	10/2001	Trazzi	D7/309
D451,329 S	*	12/2001	DeMars	D7/305
D460,653 S	*	7/2002	Cahen	D7/309
D495,189 S	*	8/2004	Cahen	D7/309
D499,927 S	*	12/2004	Lloyd	D7/309
D509,986 S	*	9/2005	O'Neill et al.	D7/309

* cited by examiner

Primary Examiner—M. N. Pandozzi
(74) *Attorney, Agent, or Firm*—Martin Fleit; Paul D. Bianco; Fleit Kain Gibbons Gutman Bongini & Bainco

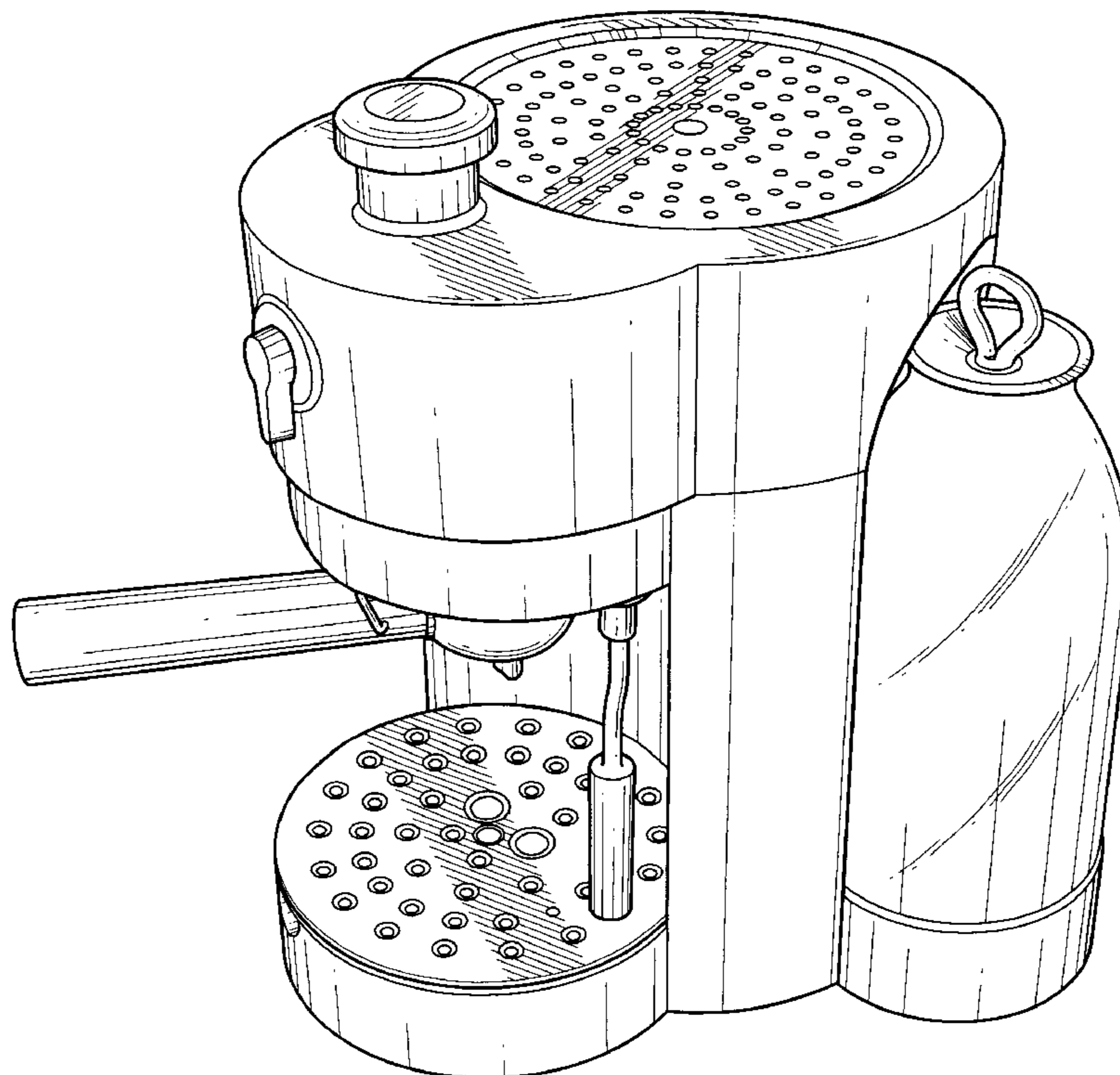
(57) **CLAIM**

The ornamental design for an Espresso coffee machine, as shown and described.

DESCRIPTION

FIG. 1 is an oblique perspective view of an Espresso coffee machine showing my new design;
 FIG. 2 is a top perspective view thereof;
 FIG. 3 is a front perspective view thereof;
 FIG. 4 is a left side perspective view thereof;
 FIG. 5 is a rear perspective view thereof;
 FIG. 6 is a right side perspective view thereof;
 FIG. 7 is an oblique perspective view of an Espresso coffee machine showing a second embodiment of my new design;
 FIG. 8 is a top perspective view thereof;
 FIG. 9 is a front perspective view thereof;
 FIG. 10 is a left side perspective view thereof;
 FIG. 11 is a rear perspective view thereof;
 FIG. 12 is a right side perspective view thereof;
 FIG. 13 is an oblique perspective view of an Espresso coffee machine showing my new design;
 FIG. 14 is a top perspective view thereof;
 FIG. 15 is a front perspective view thereof;
 FIG. 16 is a left side perspective view thereof;
 FIG. 17 is a rear perspective view thereof; and,
 FIG. 18 is a right side perspective view thereof.

1 Claim, 18 Drawing Sheets



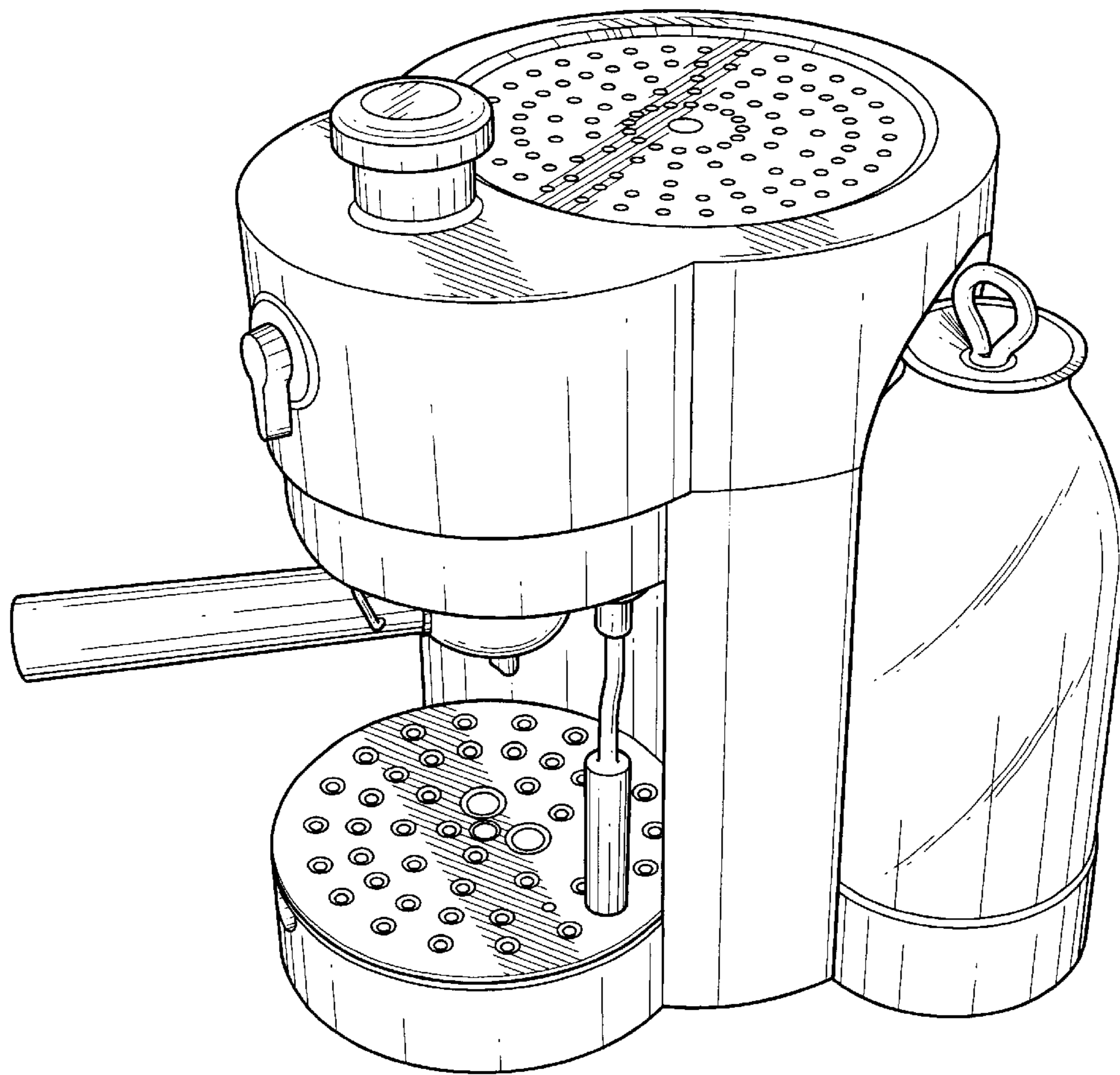


FIG. 1

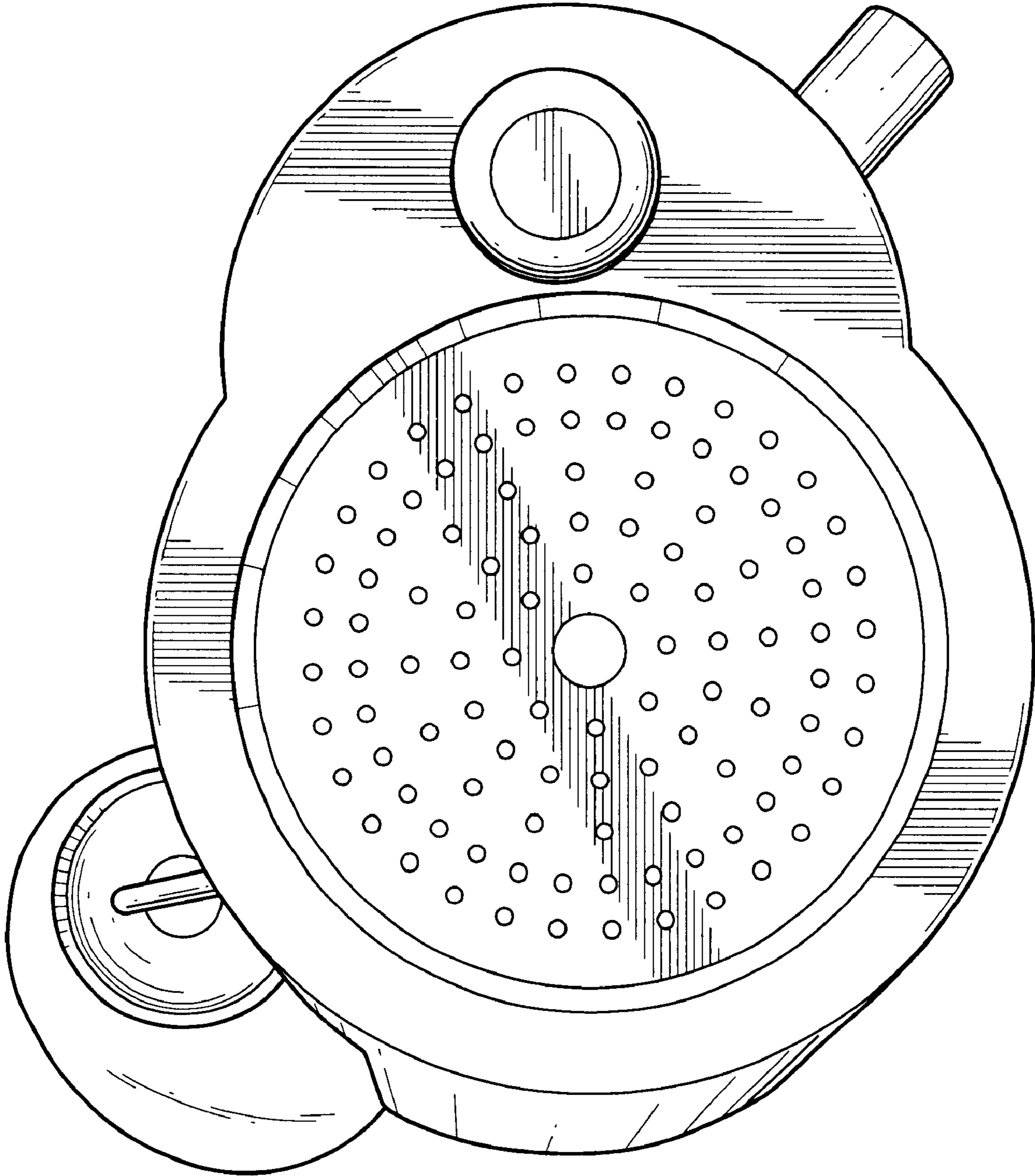


FIG. 2

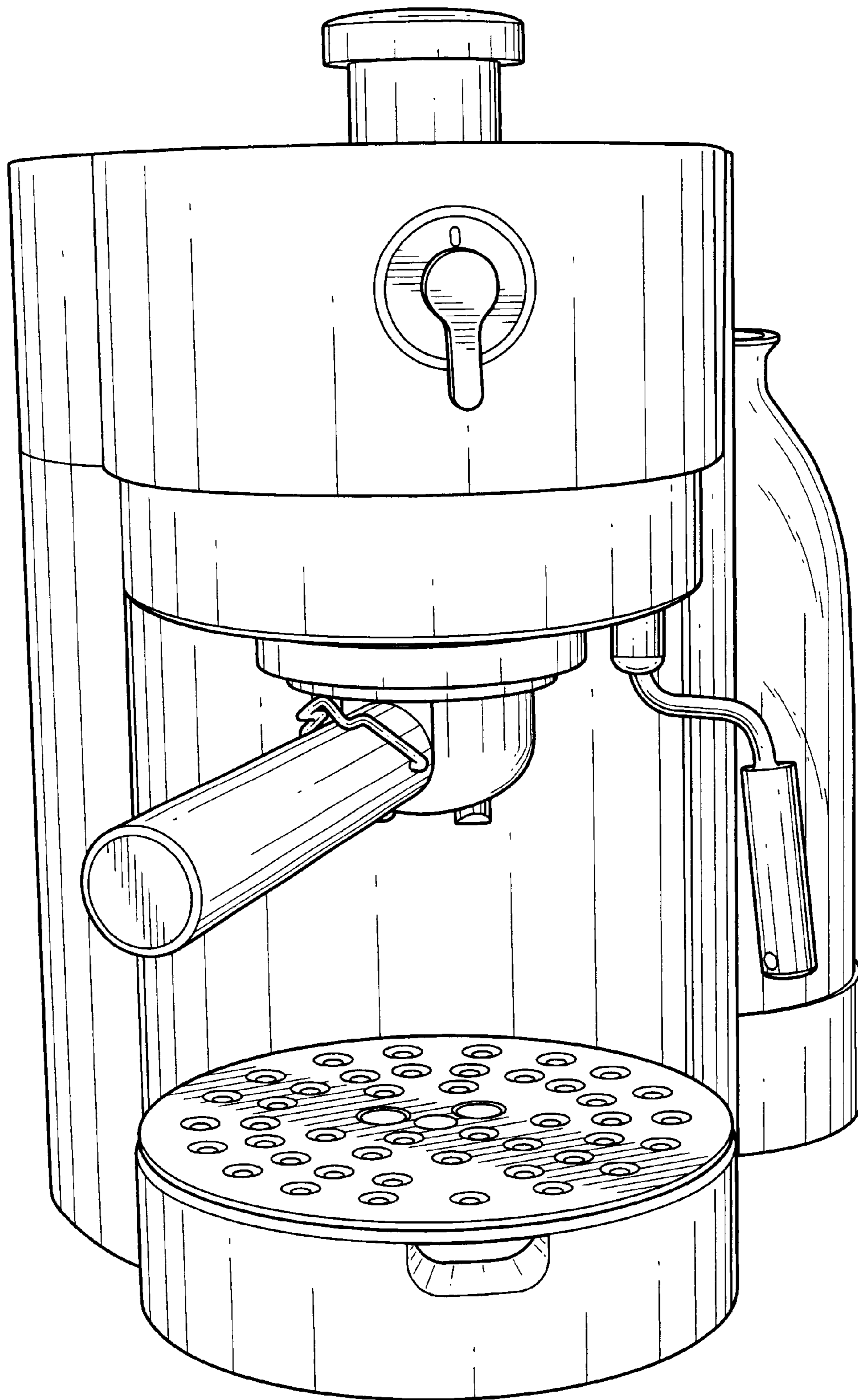


FIG. 3

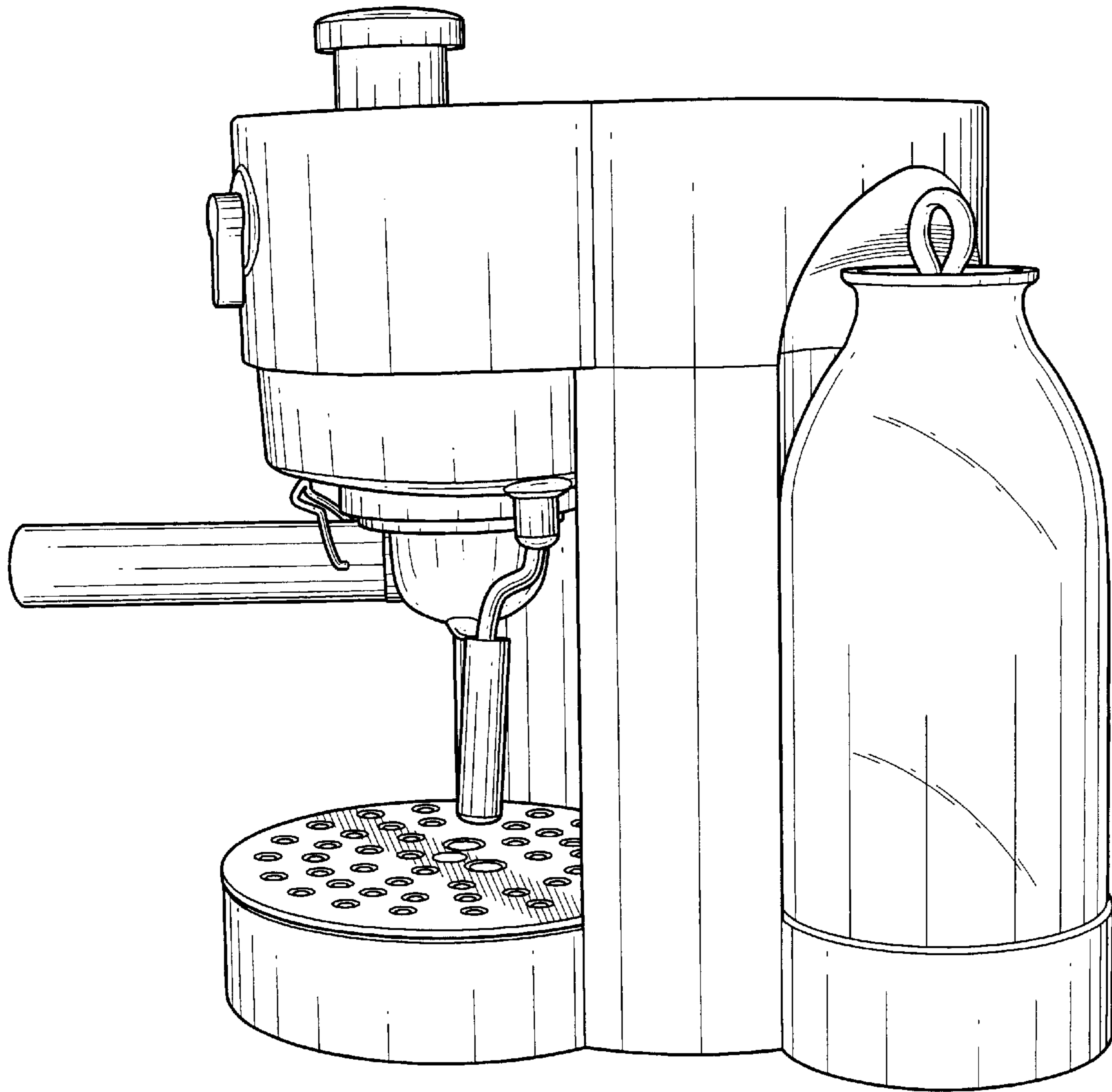


FIG. 4

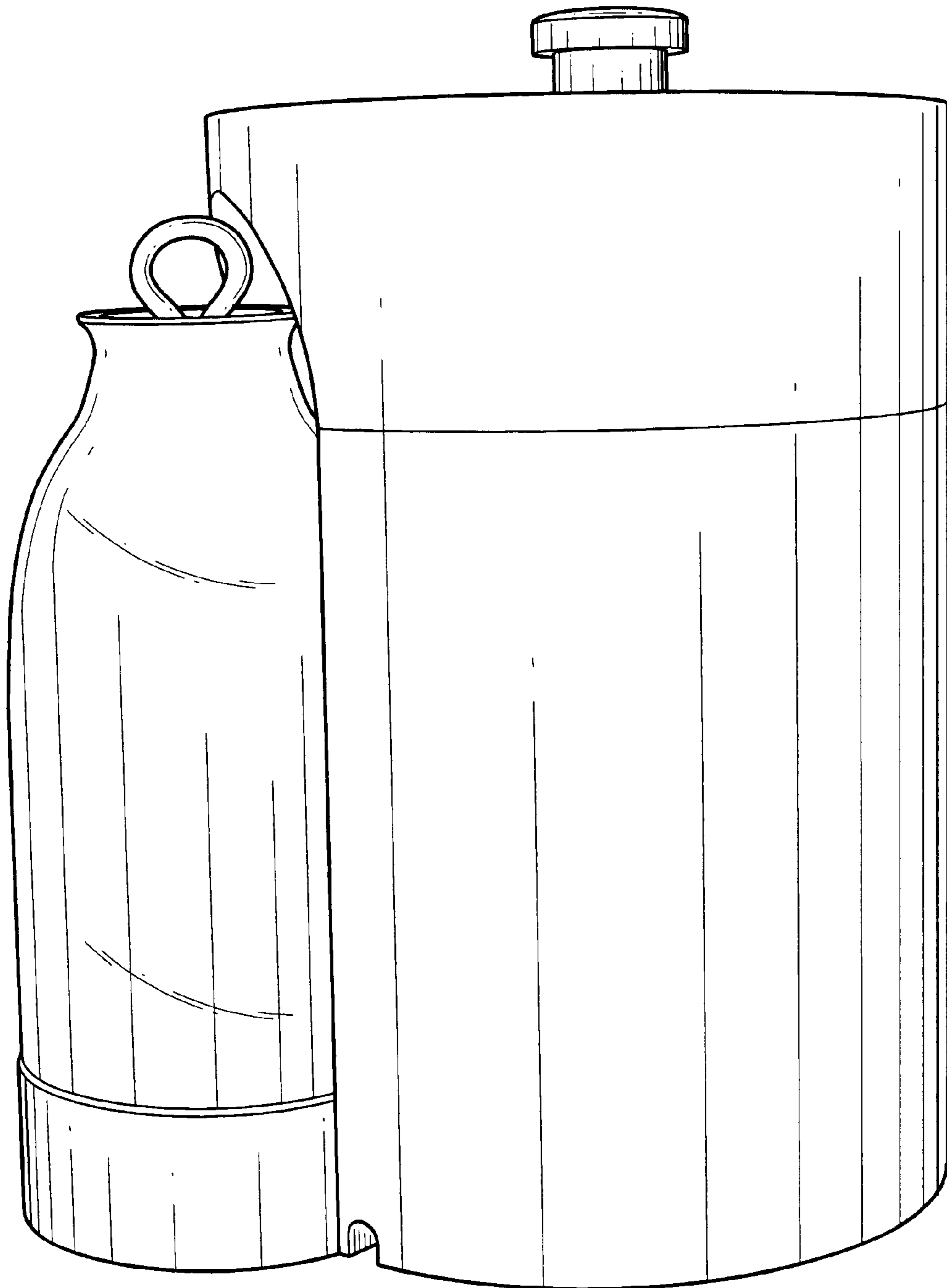


FIG. 5

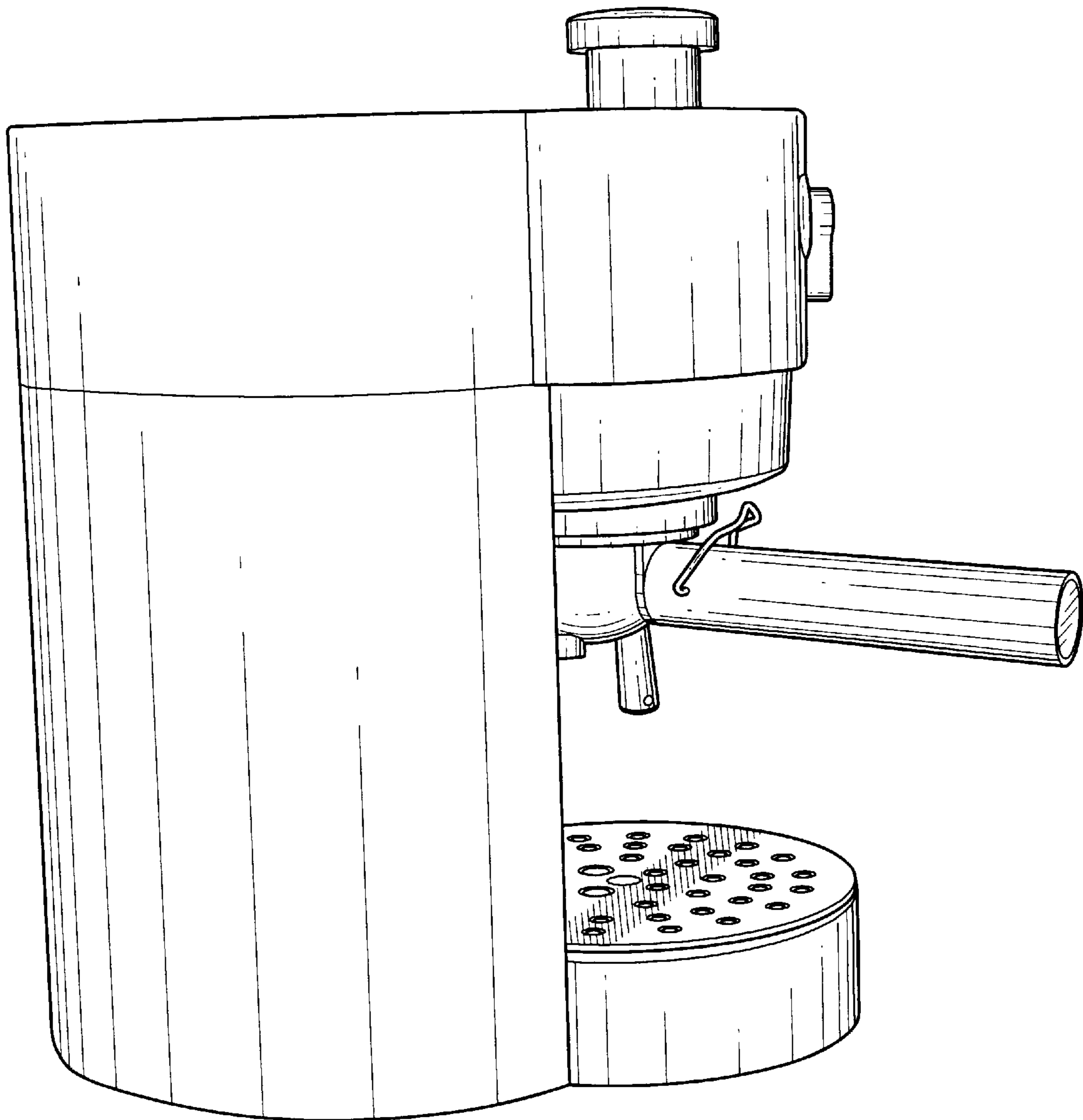


FIG.6

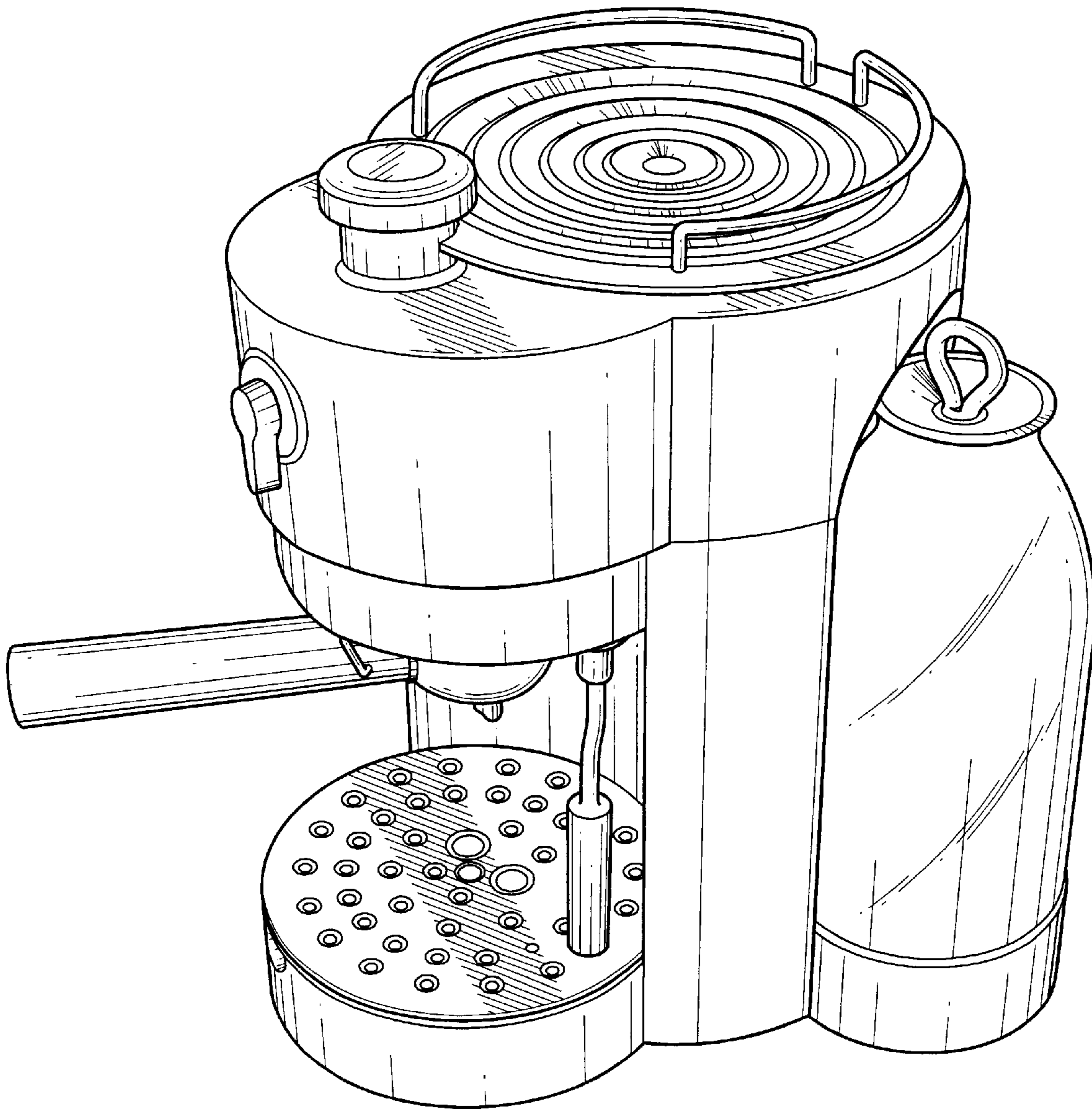


FIG. 7

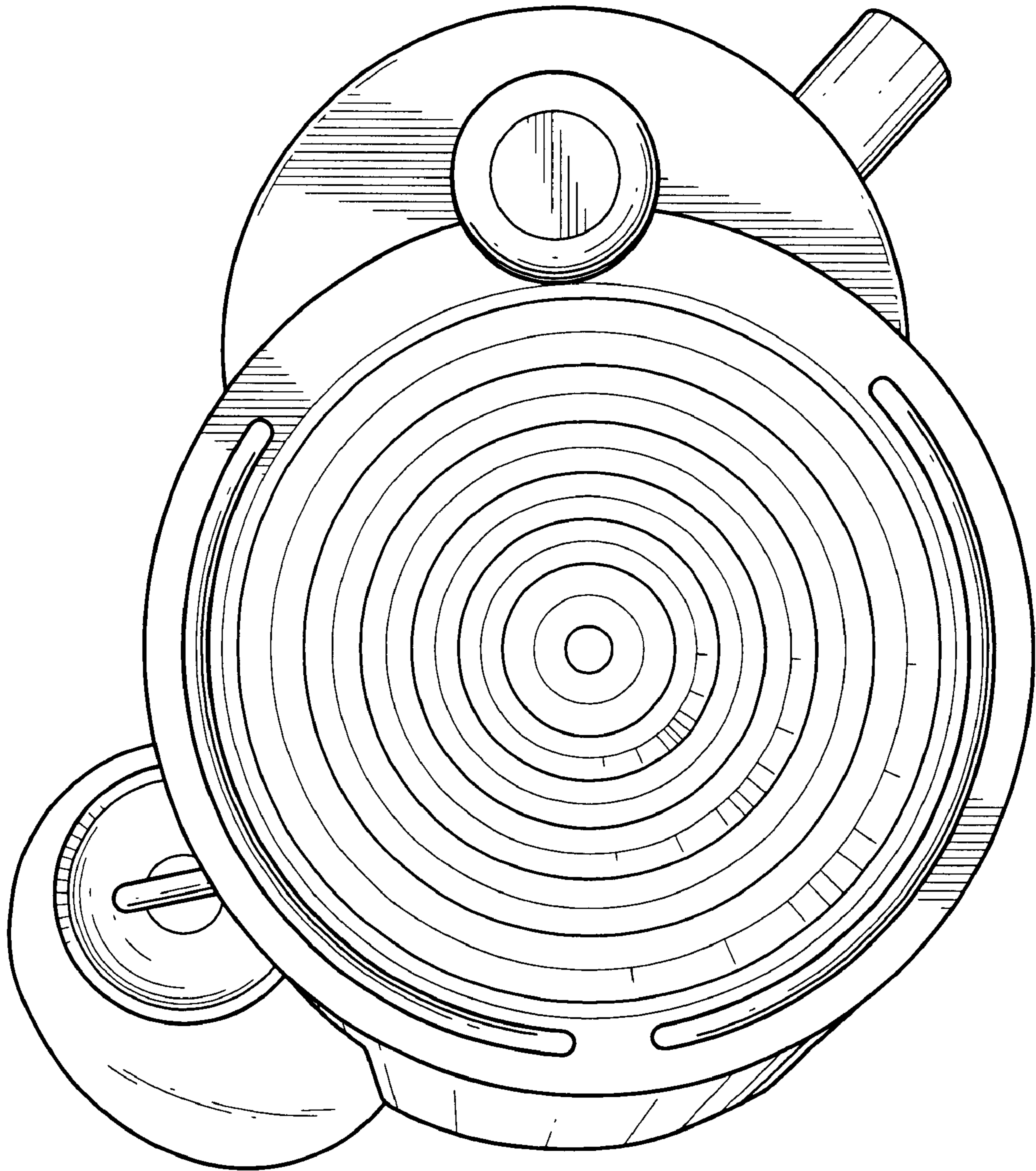


FIG. 8

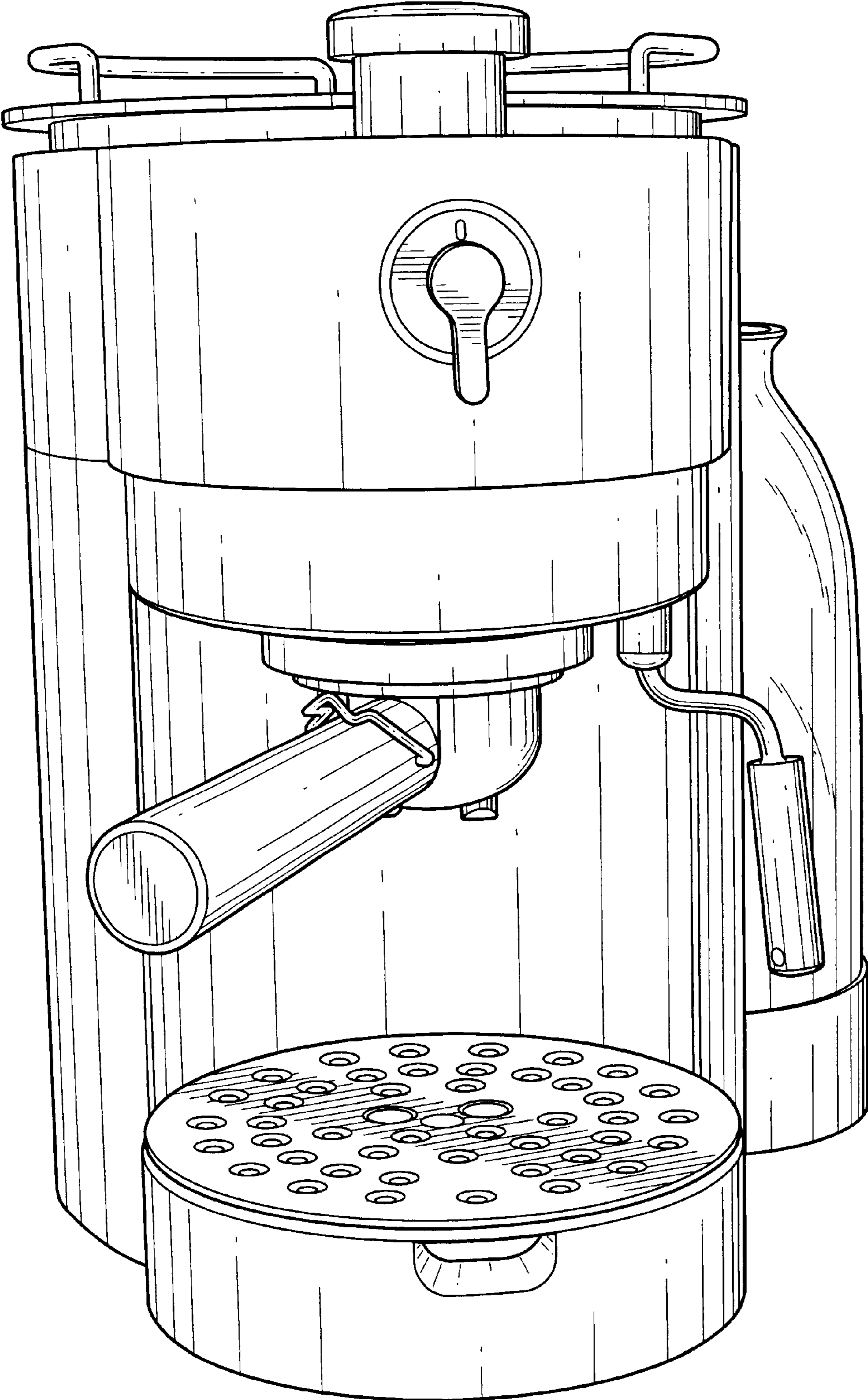


FIG. 9

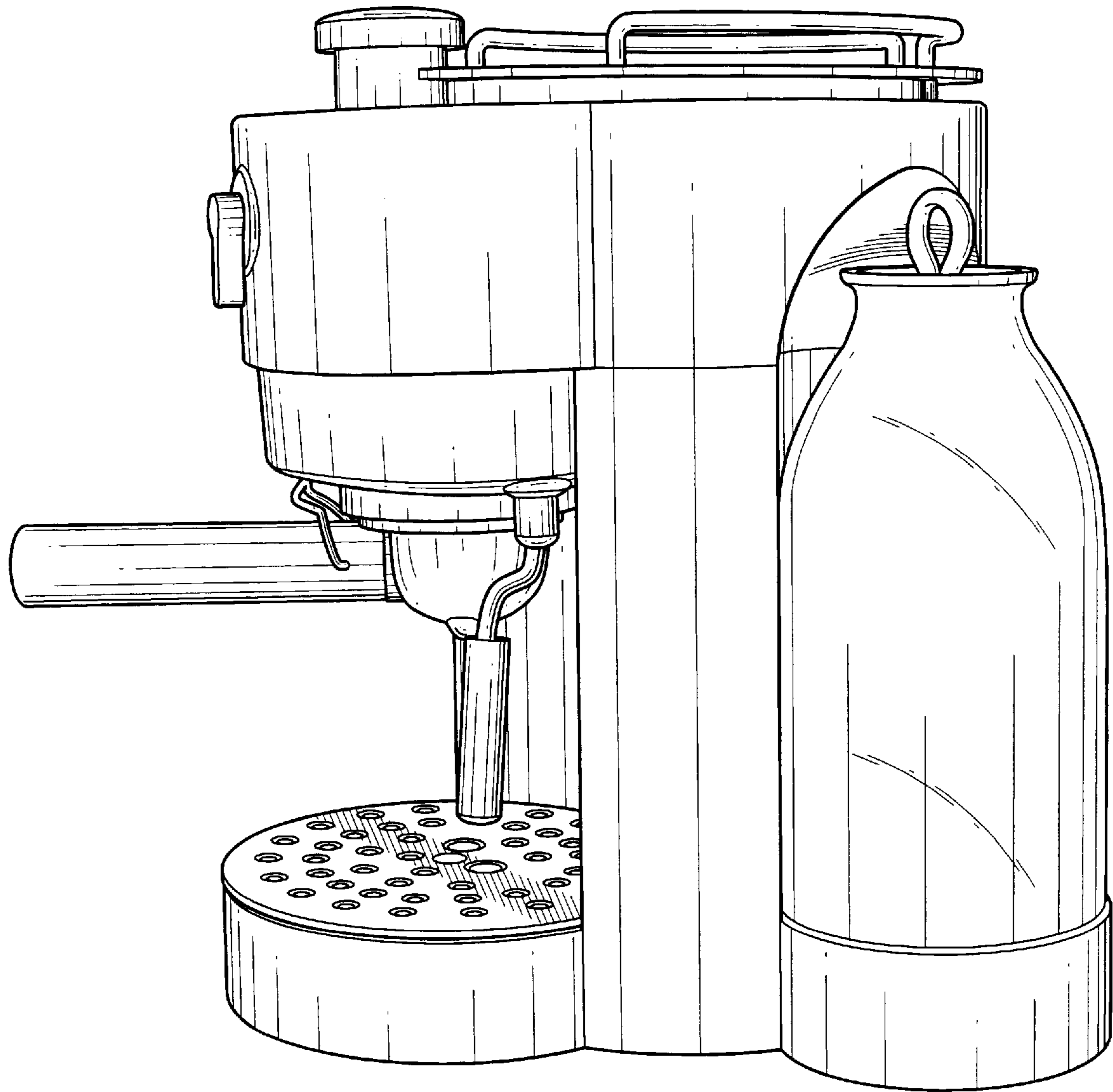


FIG. 10

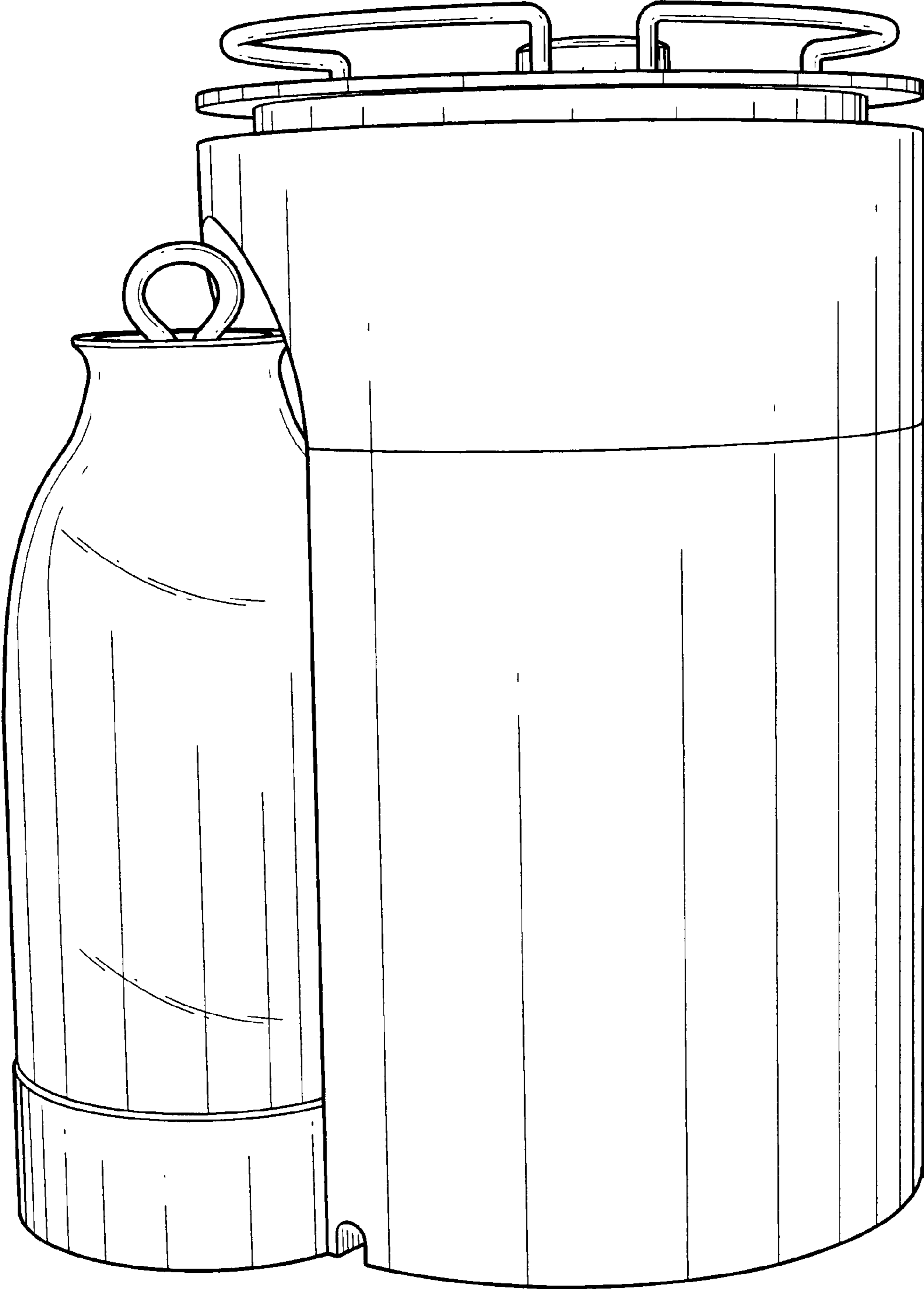


FIG. 11

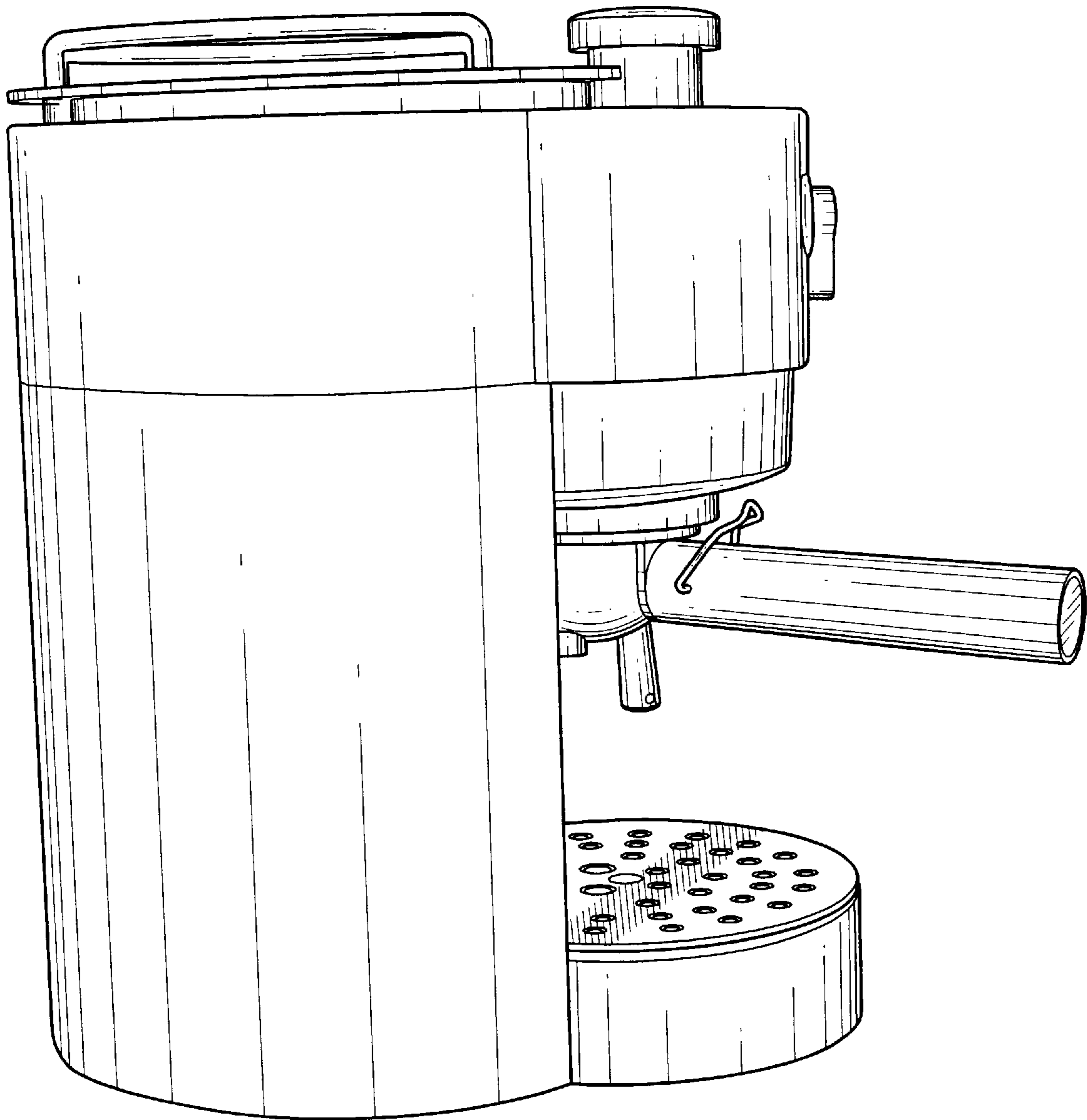


FIG.12

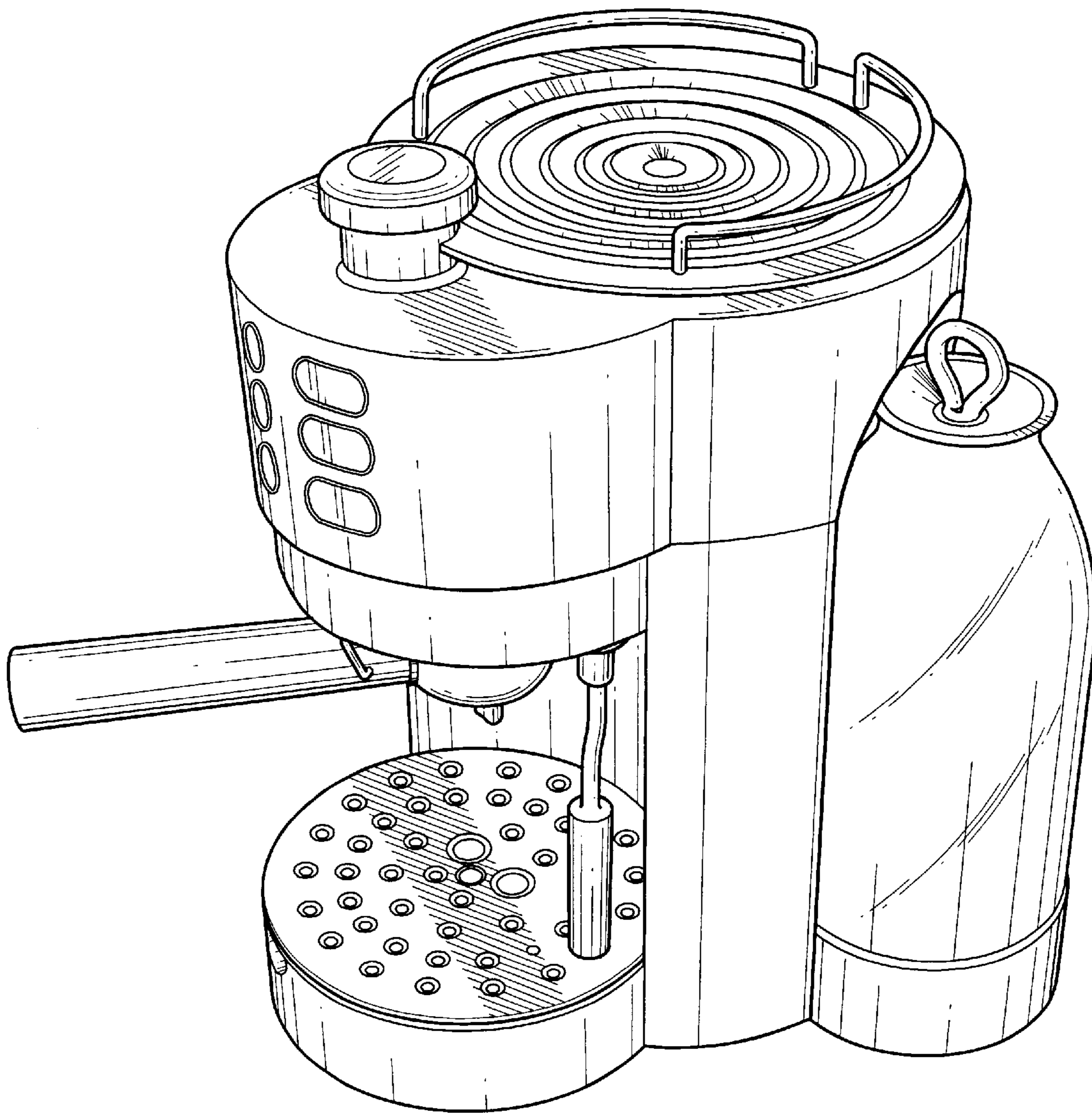


FIG. 13

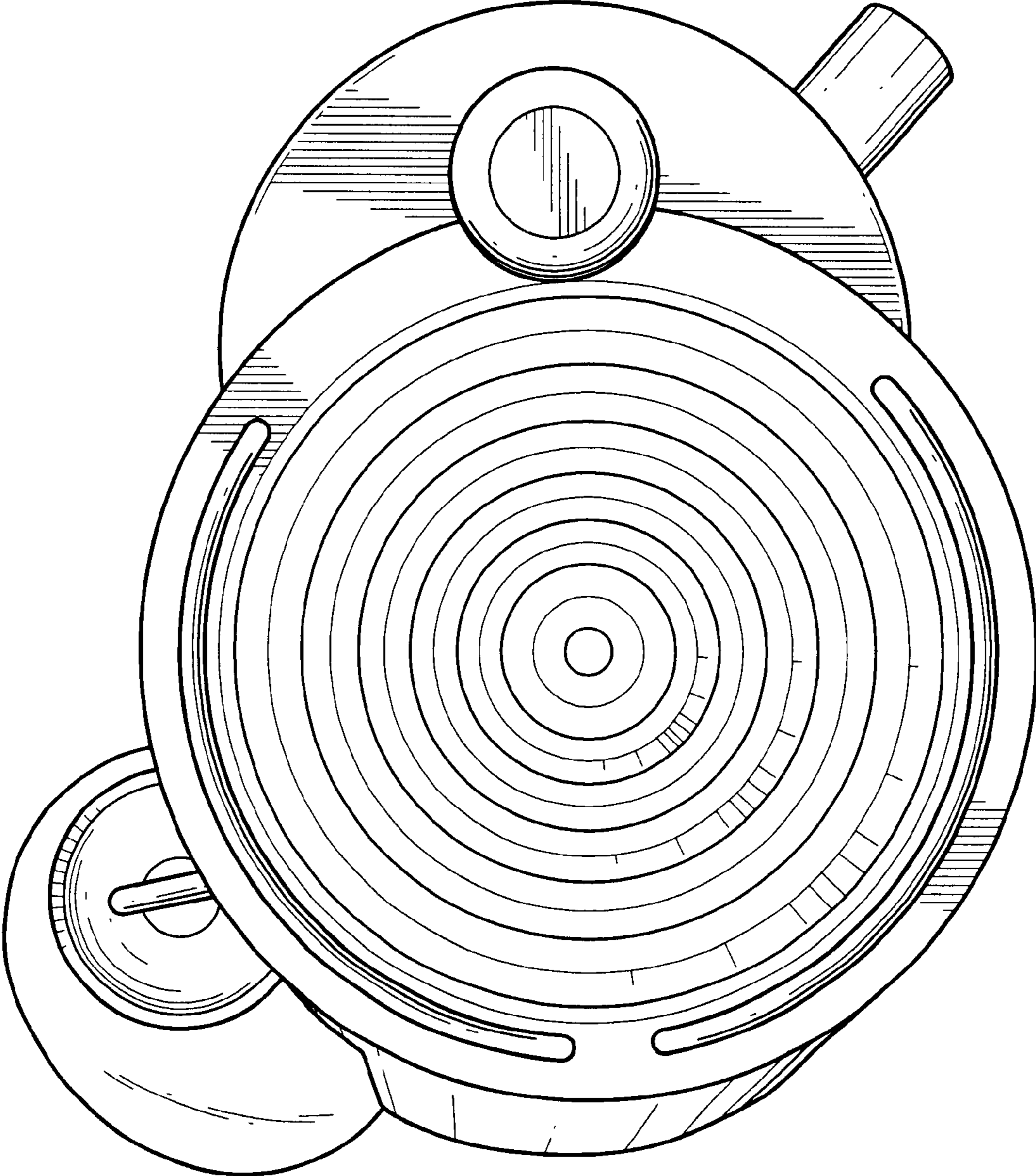


FIG. 14

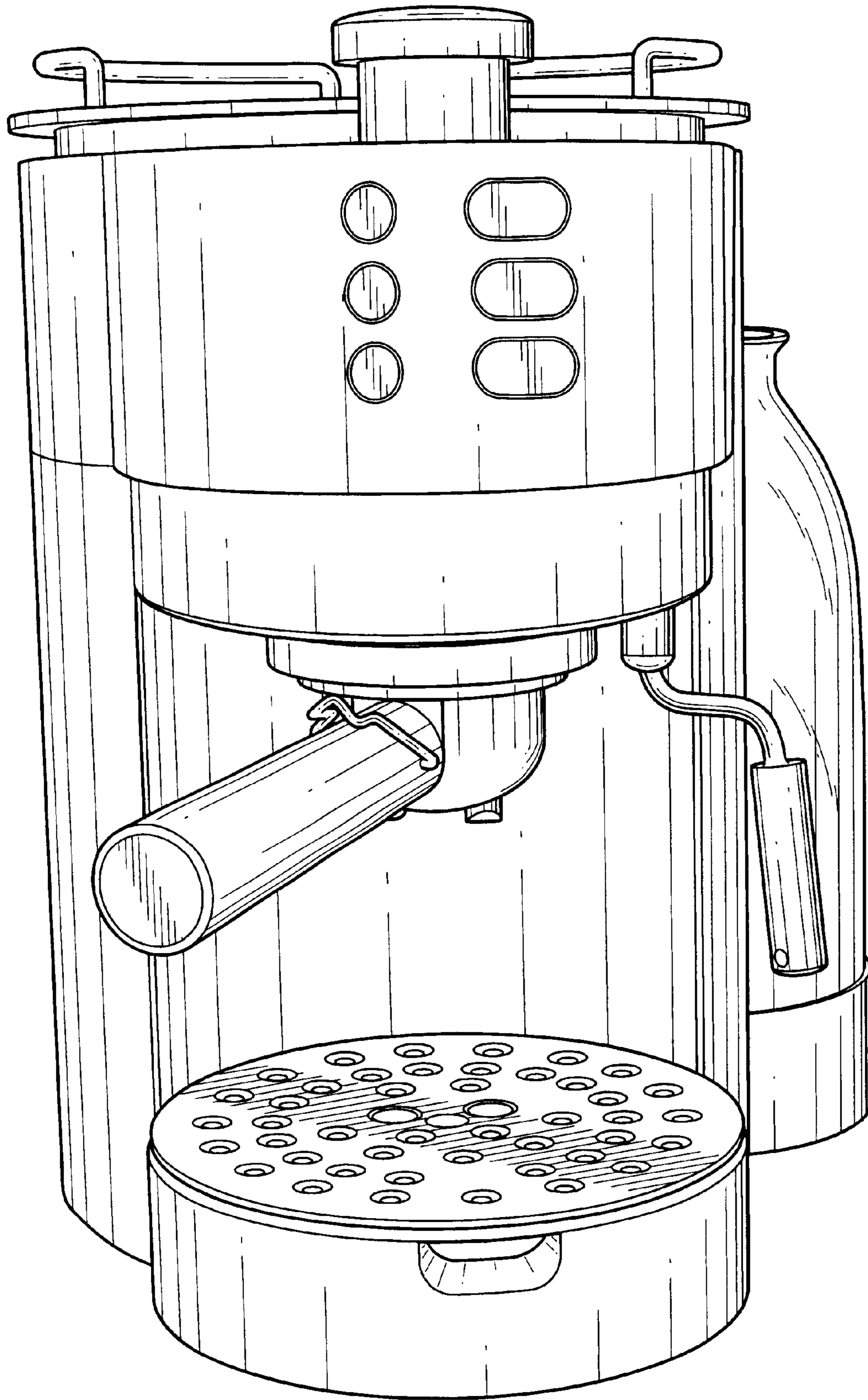


FIG. 15

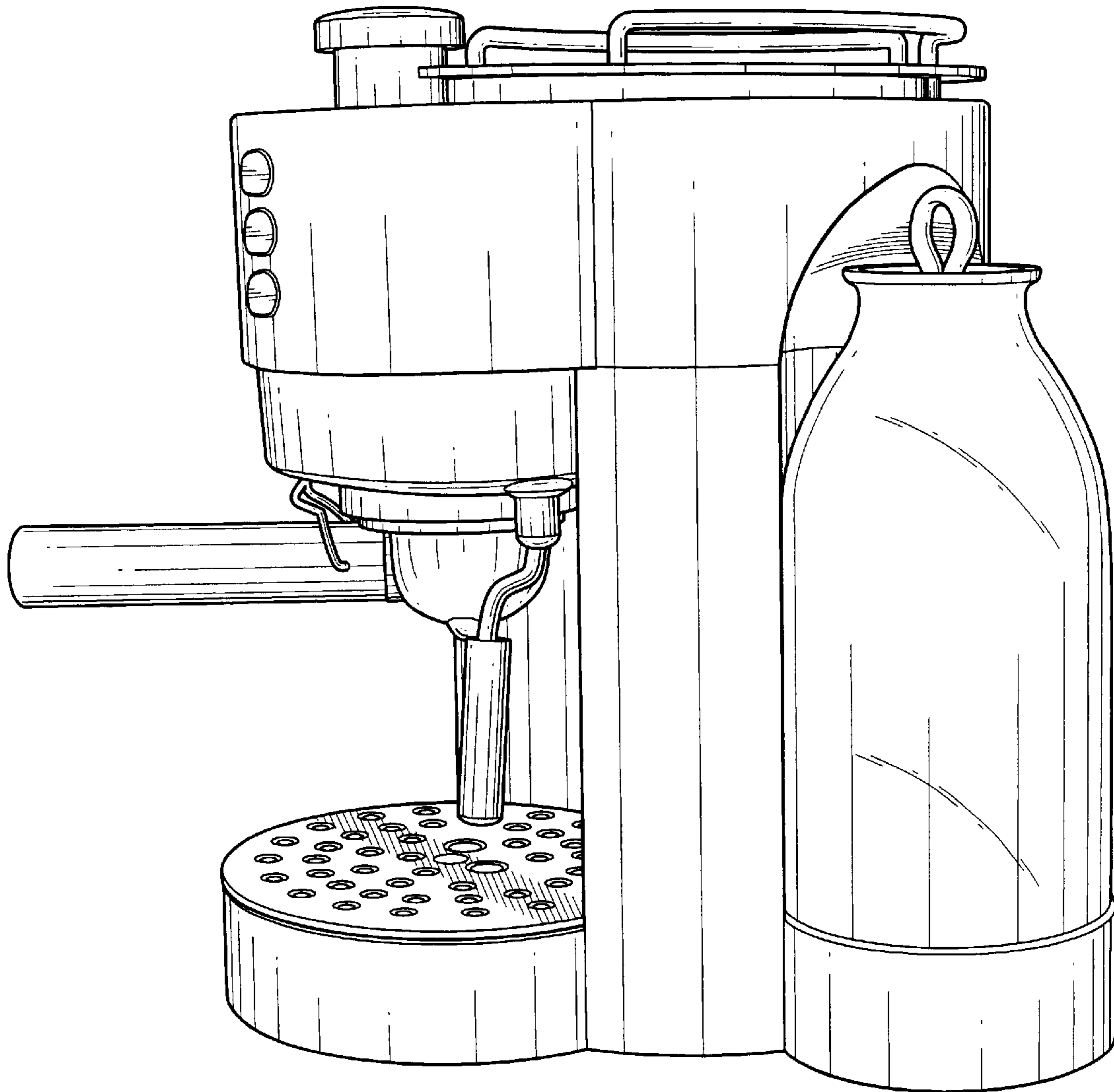


FIG. 16

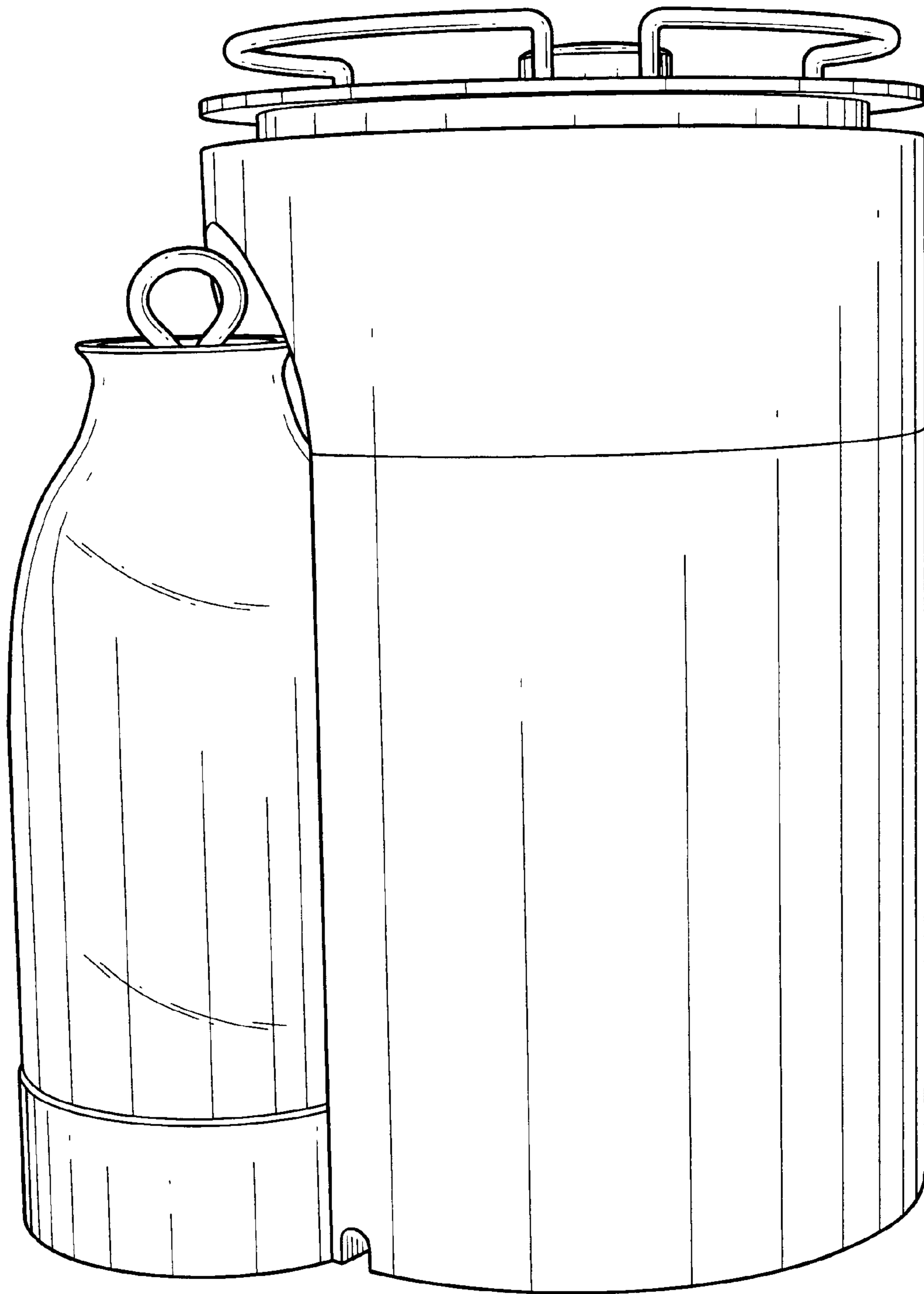


FIG. 17

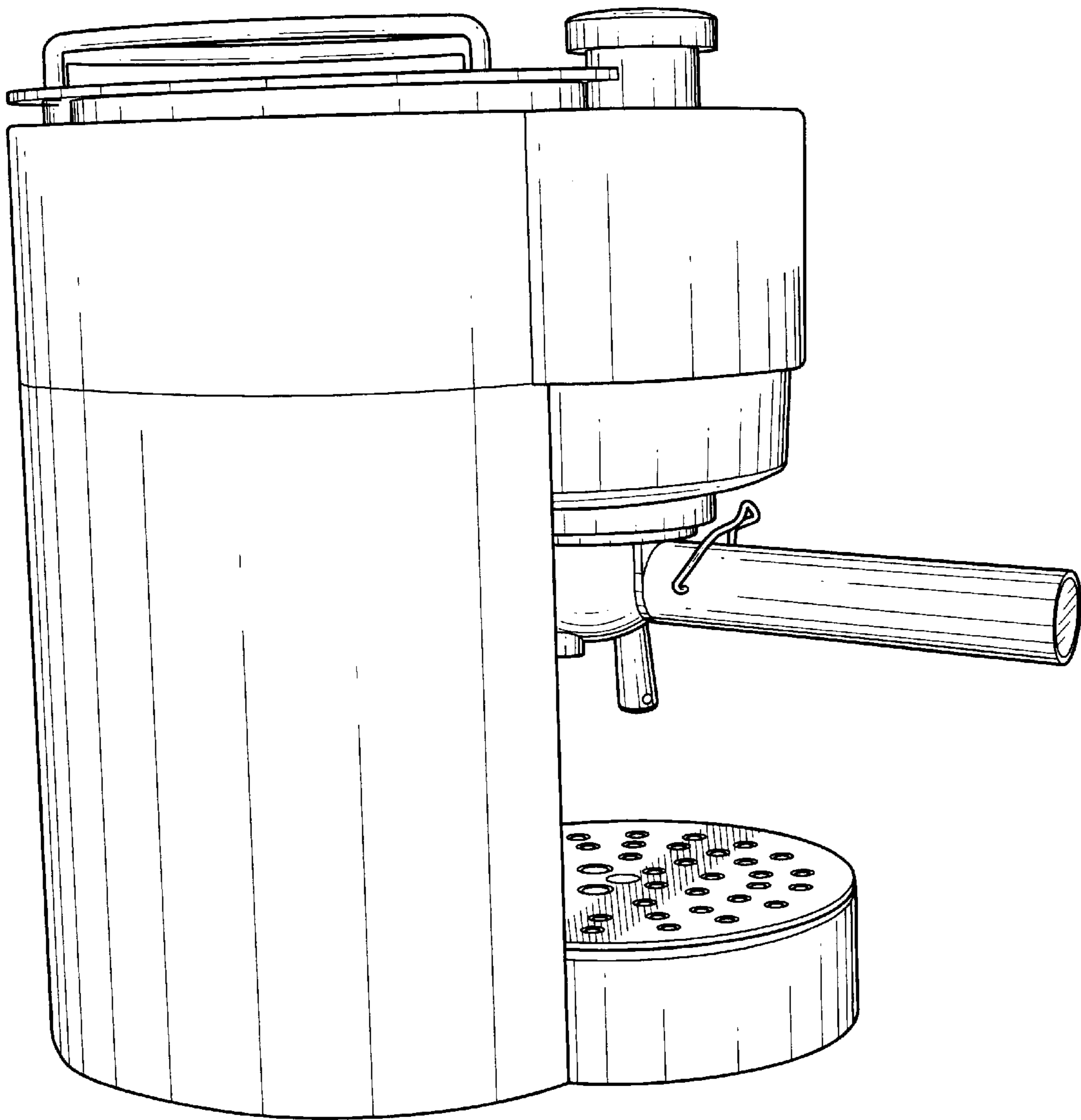


FIG. 18