



US00D522792S

(12) **United States Design Patent**  
**Koitzsch et al.**

(10) **Patent No.:** **US D522,792 S**  
(45) **Date of Patent:** **\*\* Jun. 13, 2006**

(54) **COFFEE MACHINE**

(75) Inventors: **Stefan Koitzsch**, Dermstadt (DE);  
**Micha Daniels**, Frankfurt (DE)

(73) Assignee: **Societe des Produits Nestle S.A.**,  
Vevey (CH)

(\*\*) Term: **14 Years**

(21) Appl. No.: **29/218,000**

(22) Filed: **Nov. 23, 2004**

(30) **Foreign Application Priority Data**

May 25, 2004 (CH) ..... 130765

(51) **LOC (8) Cl.** ..... **07-01**

(52) **U.S. Cl.** ..... **D7/309; D7/310; D7/311**

(58) **Field of Classification Search** ..... **D7/300,**  
**D7/309, 306, 305, 310, 311; 99/293, 287,**  
**99/289 R, 288, 279**

See application file for complete search history.

(56) **References Cited**

**U.S. PATENT DOCUMENTS**

D452,107 S \* 12/2001 Cahen ..... D7/309

D459,628 S \* 7/2002 Cahen ..... D7/309  
D460,653 S \* 7/2002 Cahen ..... D7/309  
D461,358 S \* 8/2002 Cahen ..... D7/309  
D495,189 S \* 8/2004 Cahen ..... D7/309

\* cited by examiner

*Primary Examiner*—M. N. Pandozzi

(74) *Attorney, Agent, or Firm*—Bell, Boyd & Lloyd LLC

(57) **CLAIM**

The ornamental design for a coffee machine, as shown and described.

**DESCRIPTION**

FIG. 1 is a front perspective view of the present coffee machine.

FIG. 2 is a front view of FIG. 1.

FIG. 3 is a right side view of FIG. 1.

FIG. 4 is a left side view of FIG. 1.

FIG. 5 is a rear view of FIG. 1.

FIG. 6 is a top view of FIG. 1; and,

FIG. 7 is a bottom view of FIG. 1.

**1 Claim, 4 Drawing Sheets**

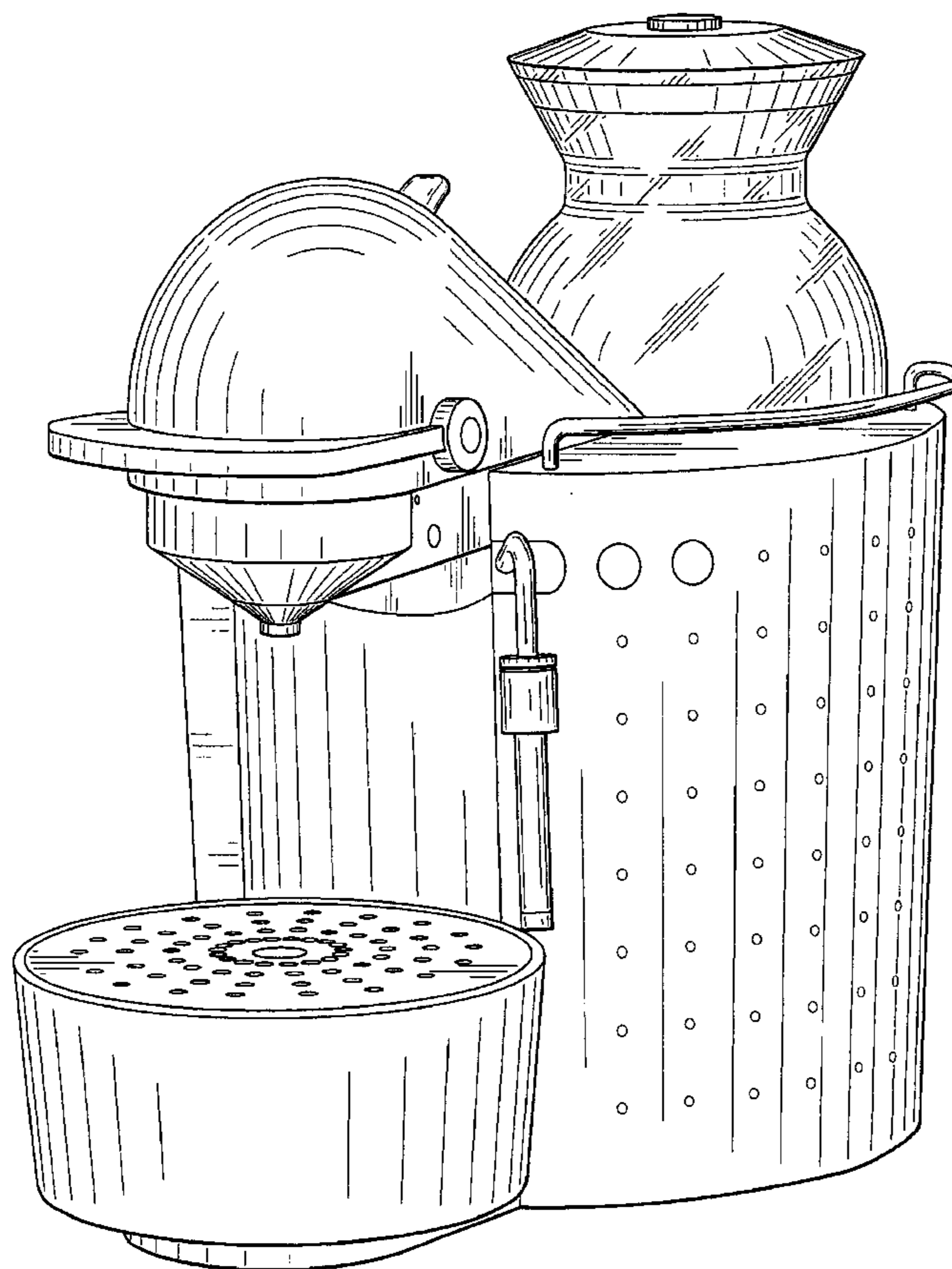


FIG.1

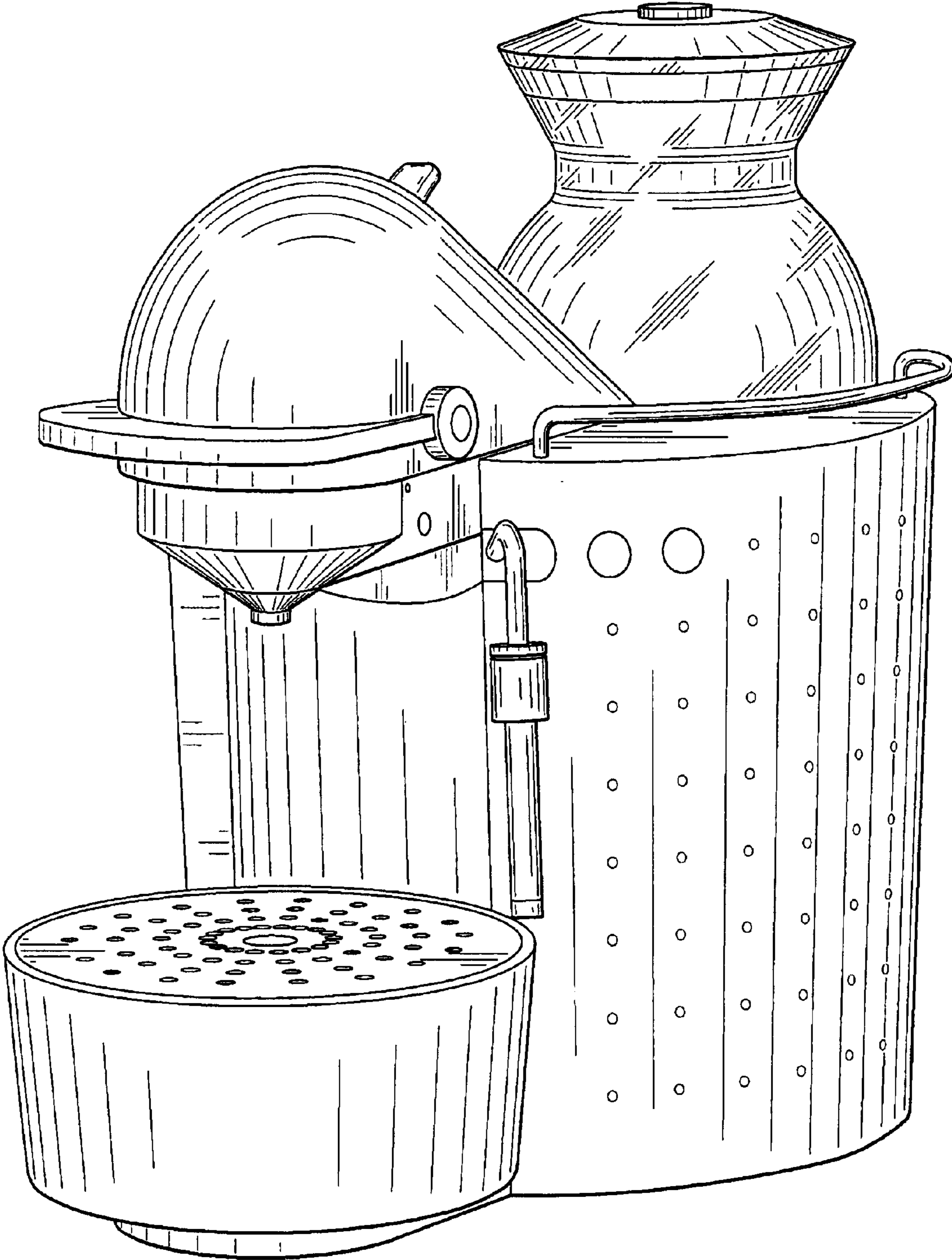


FIG.2

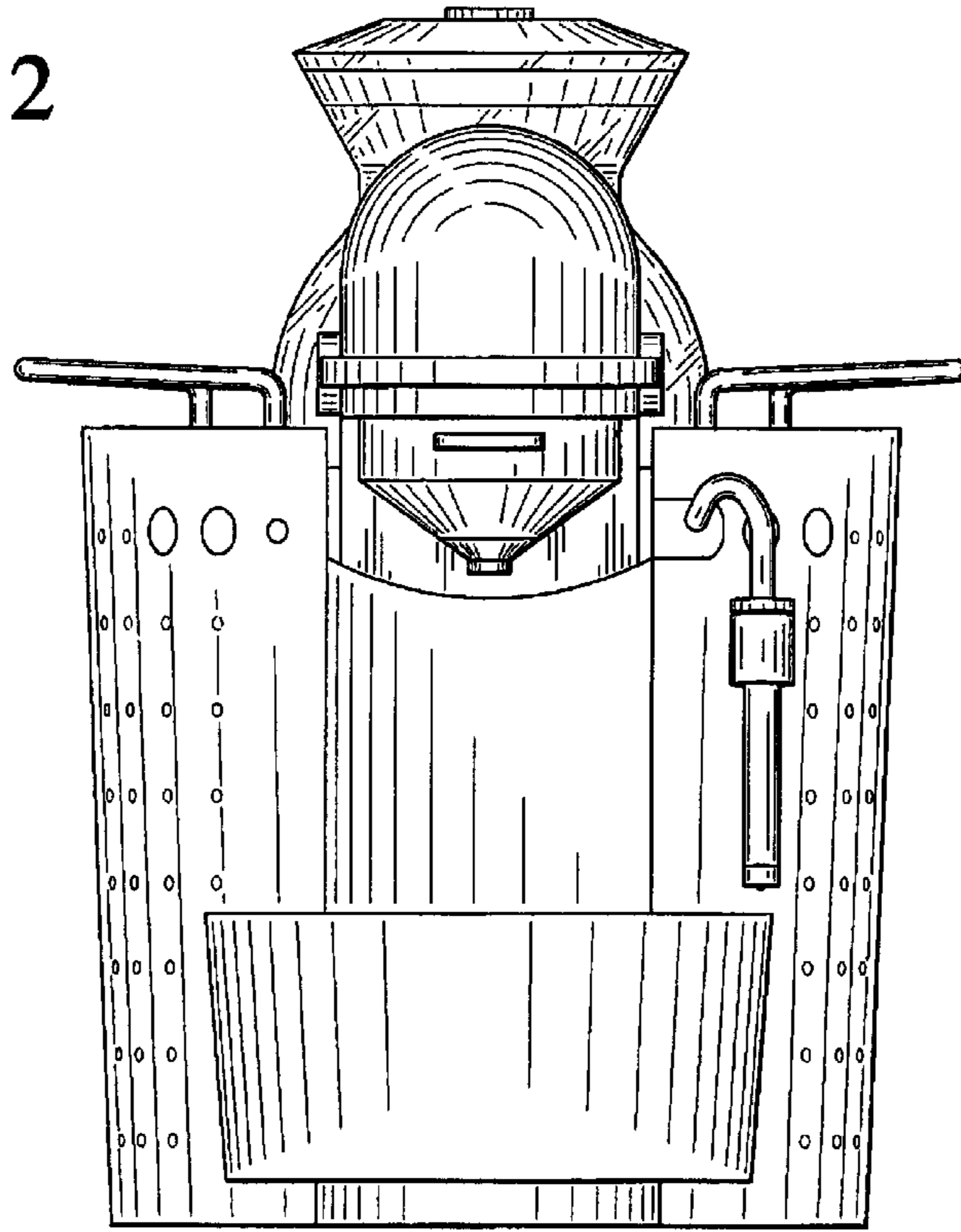


FIG.5

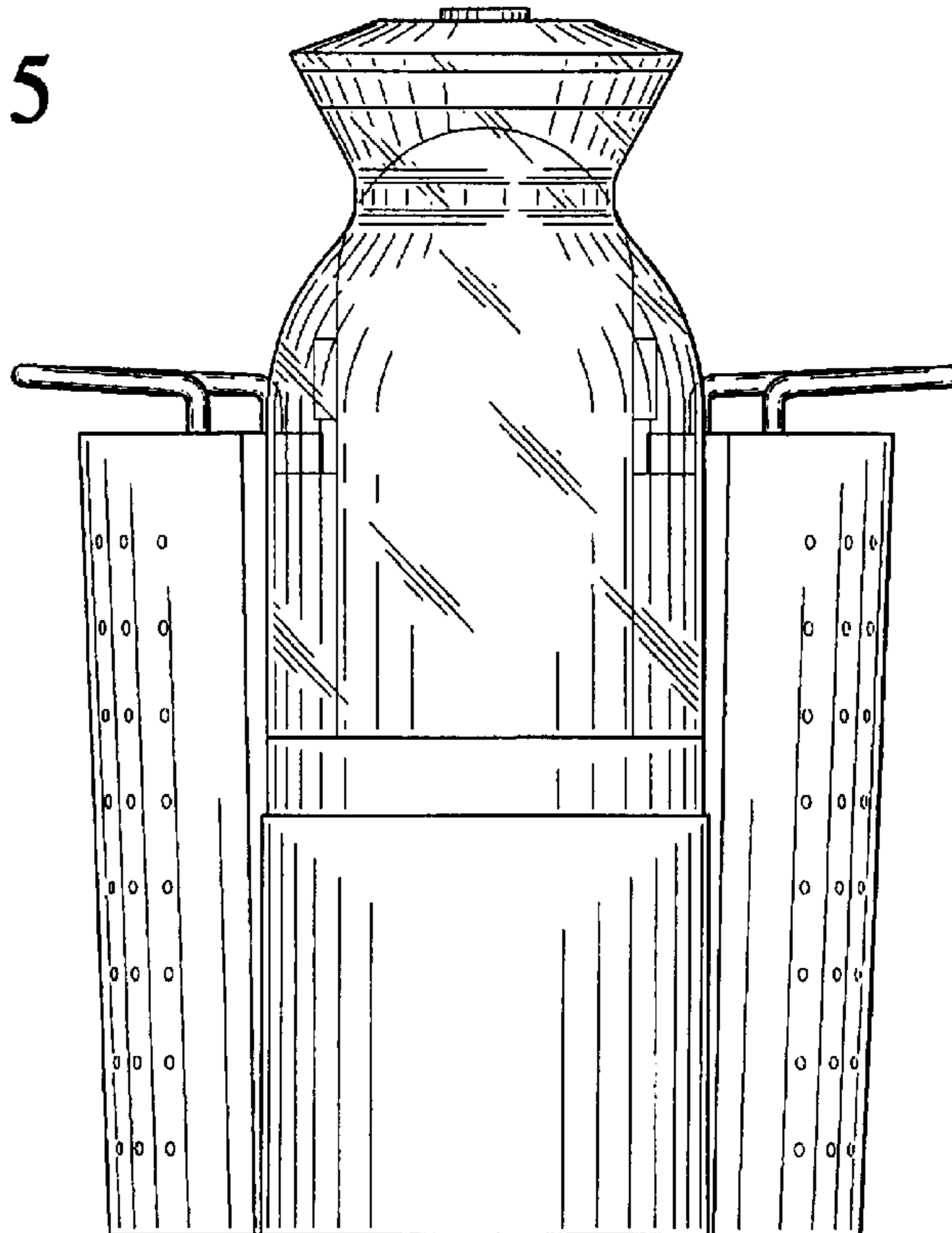


FIG.3

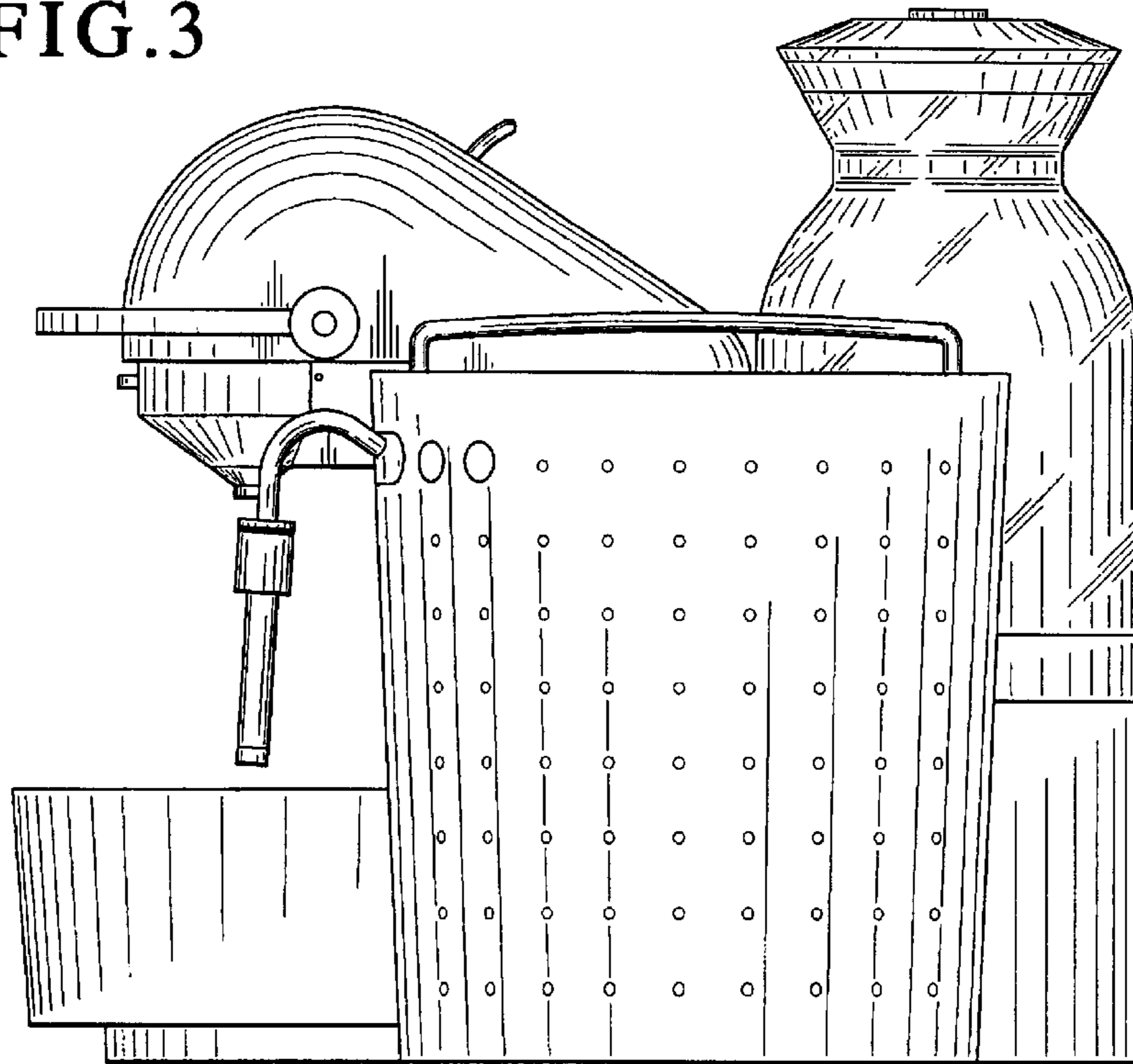
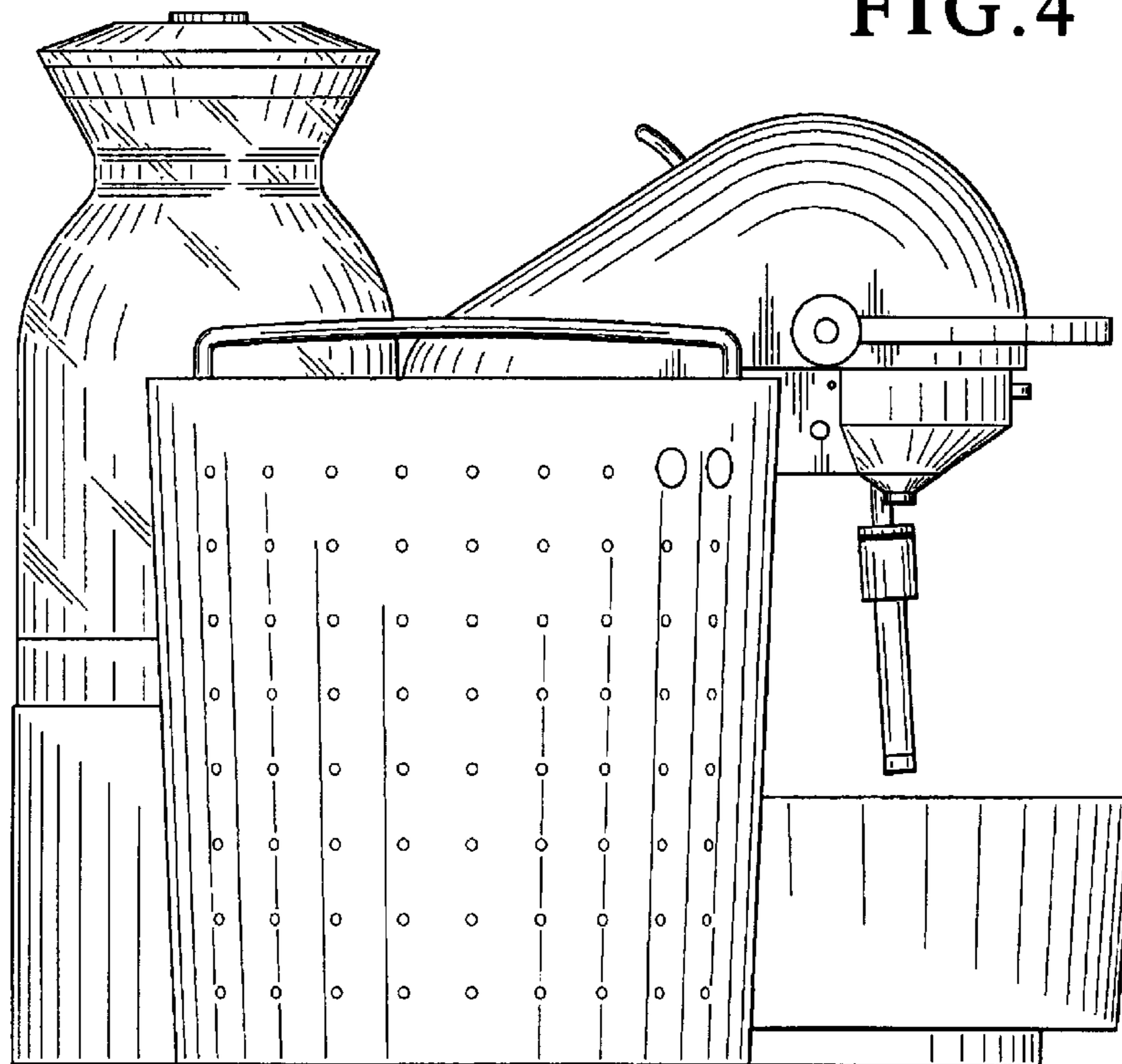
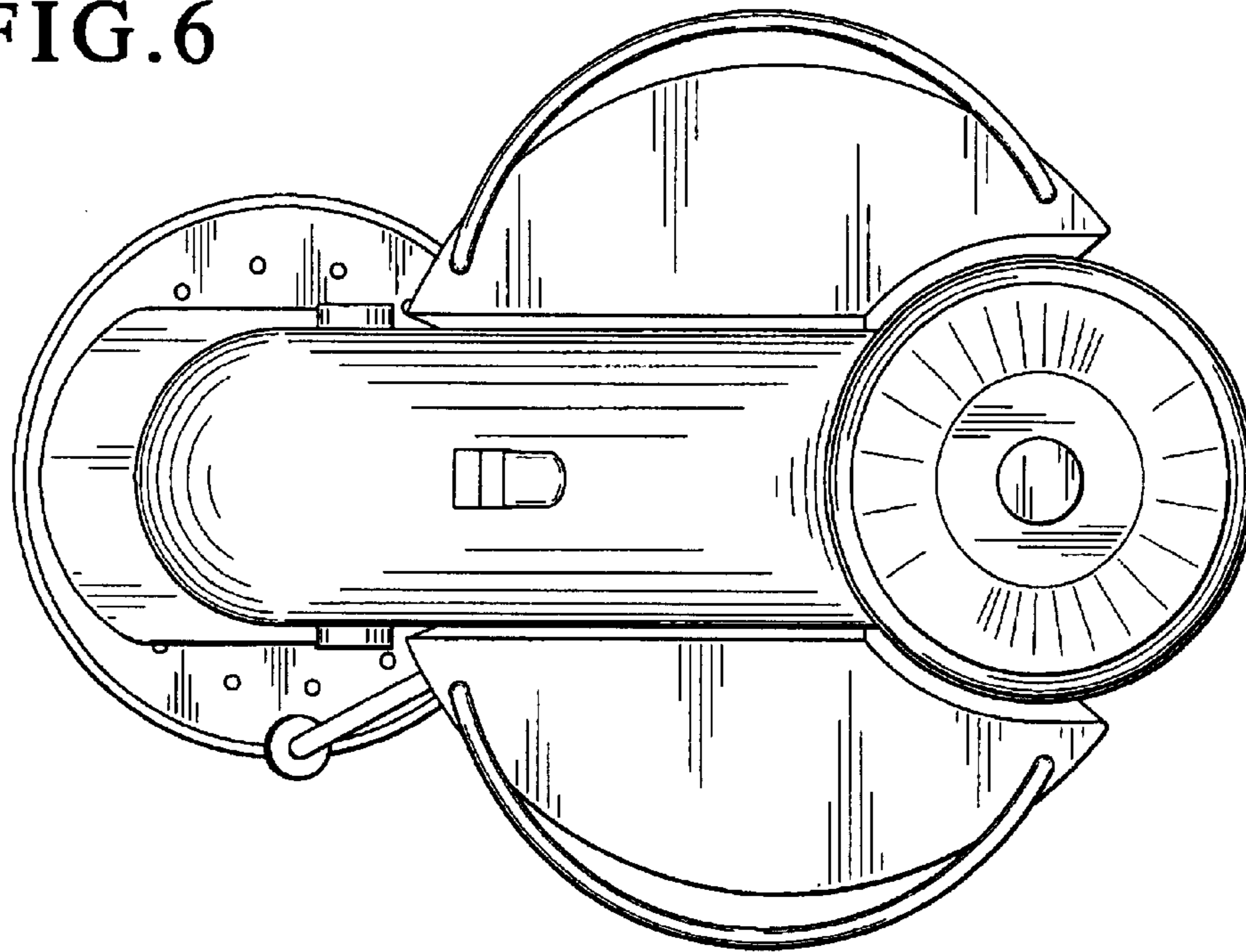


FIG.4



**FIG. 6**



**FIG. 7**

