



US00D522790S

(12) **United States Design Patent**  
**Hunt et al.**

(10) **Patent No.:** **US D522,790 S**  
(45) **Date of Patent:** **\*\* Jun. 13, 2006**

(54) **MEDIA STORAGE ORGANIZER**

D470,354 S \* 2/2003 Udommahuntisuk ..... D6/629  
D485,725 S \* 1/2004 Real ..... D6/629

(75) Inventors: **Thomas Hunt**, Carlsbad, CA (US);  
**Thomas E. Veloskey**, San Marcos, CA  
(US)

\* cited by examiner

*Primary Examiner*—Cathron C. Brooks

(73) Assignee: **Spectrum Concepts, Inc.**, Carlsbad,  
CA (US)

(74) *Attorney, Agent, or Firm*—Duckor Spradling Metzger  
& Wynn; Bernard L. Kleinke

(\*\*) Term: **14 Years**

(57) **CLAIM**

The ornamental design for a media storage organizer, as  
shown and described.

(21) Appl. No.: **29/221,377**

(22) Filed: **Jan. 14, 2005**

**DESCRIPTION**

(51) **LOC (8) Cl.** ..... **06-04**

(52) **U.S. Cl.** ..... **D6/629**

(58) **Field of Classification Search** ..... D6/407,  
D6/629, 630, 464–466, 468; 211/40; 312/9.1,  
312/9.9, 9.47, 9.48, 9.51, 9.52, 9.64

See application file for complete search history.

FIG. 1 is a pictorial view of a media storage organizer;  
FIG. 2 is an elevational view of the front side of the media  
storage organizer of FIG. 1;

FIG. 3 is an elevational view of the rear side of the media  
storage organizer of FIG. 1;

FIG. 4 is a plan view of the top of the media storage  
organizer of FIG. 1;

FIG. 5 is an elevational view of the right side of the media  
storage organizer of FIG. 1;

FIG. 6 is an elevational view of the left side of the media  
storage organizer of FIG. 1; and,

FIG. 7 is a plan view of the bottom side of the media storage  
organizer of FIG. 1.

(56) **References Cited**

**U.S. PATENT DOCUMENTS**

D358,525 S \* 5/1995 Sedon et al. .... D6/629  
D404,240 S \* 1/1999 Man ..... D6/629  
D404,957 S \* 2/1999 Cheris et al. .... D6/629  
D427,835 S \* 7/2000 Tisbo ..... D6/629  
D443,790 S \* 6/2001 Bennett ..... D6/629

**1 Claim, 5 Drawing Sheets**

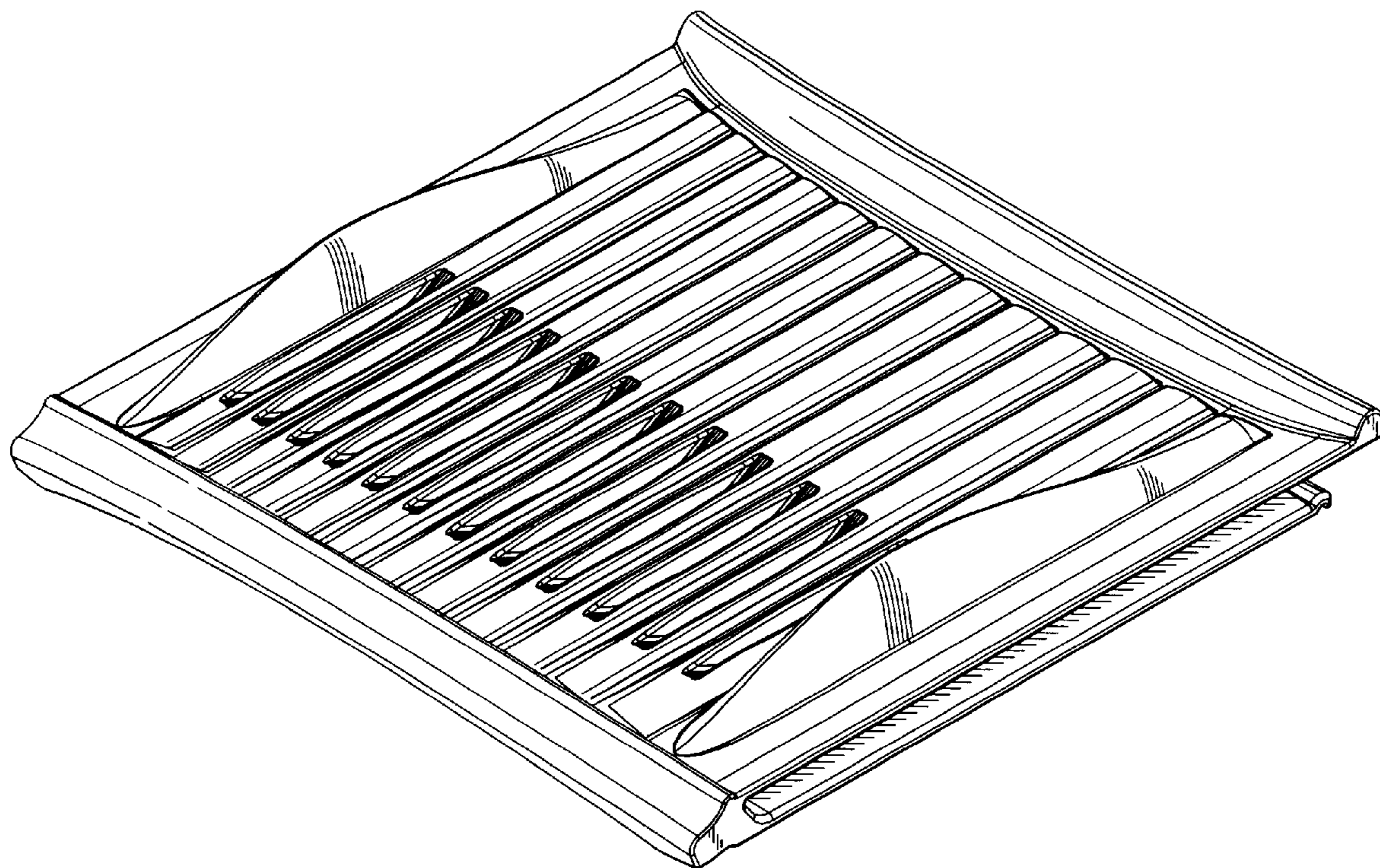


Fig. 1

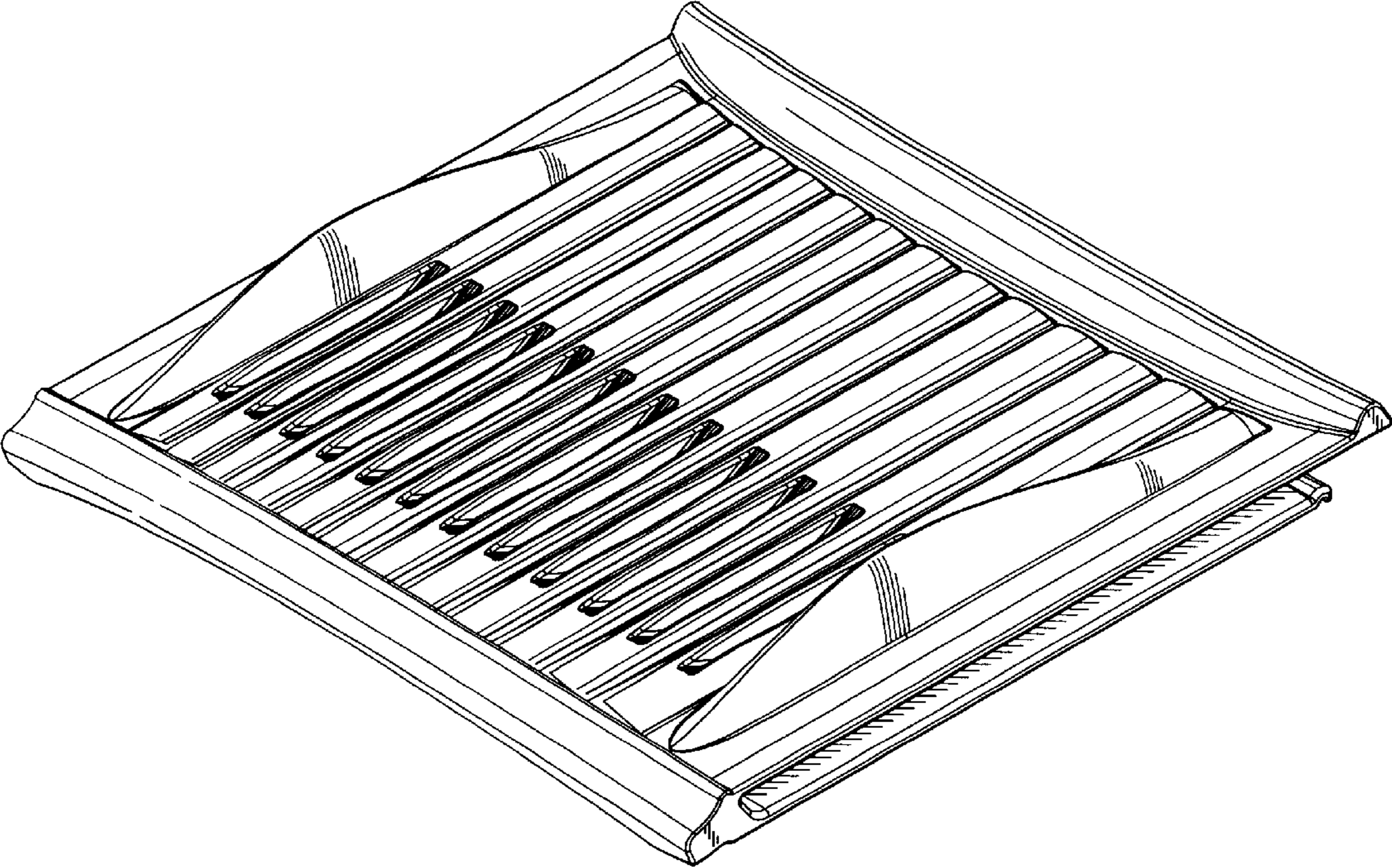


Fig. 2

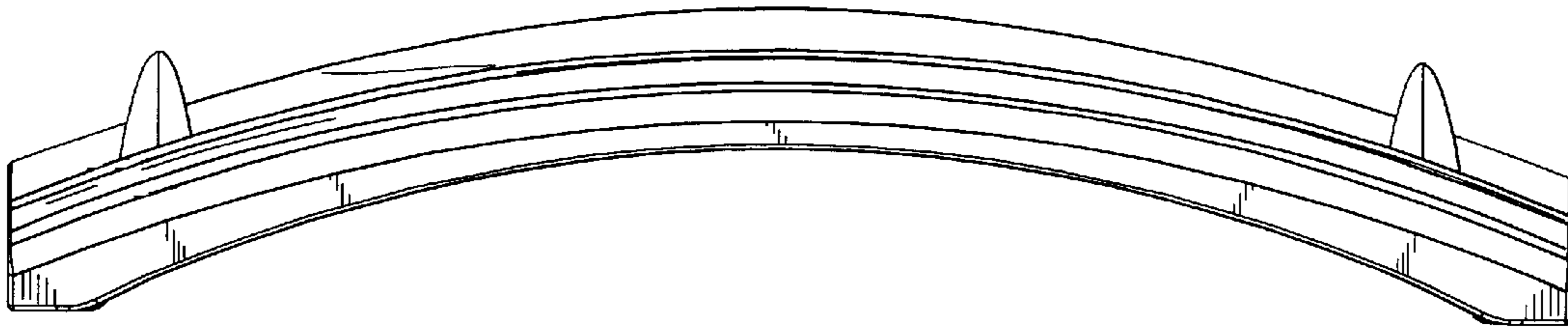
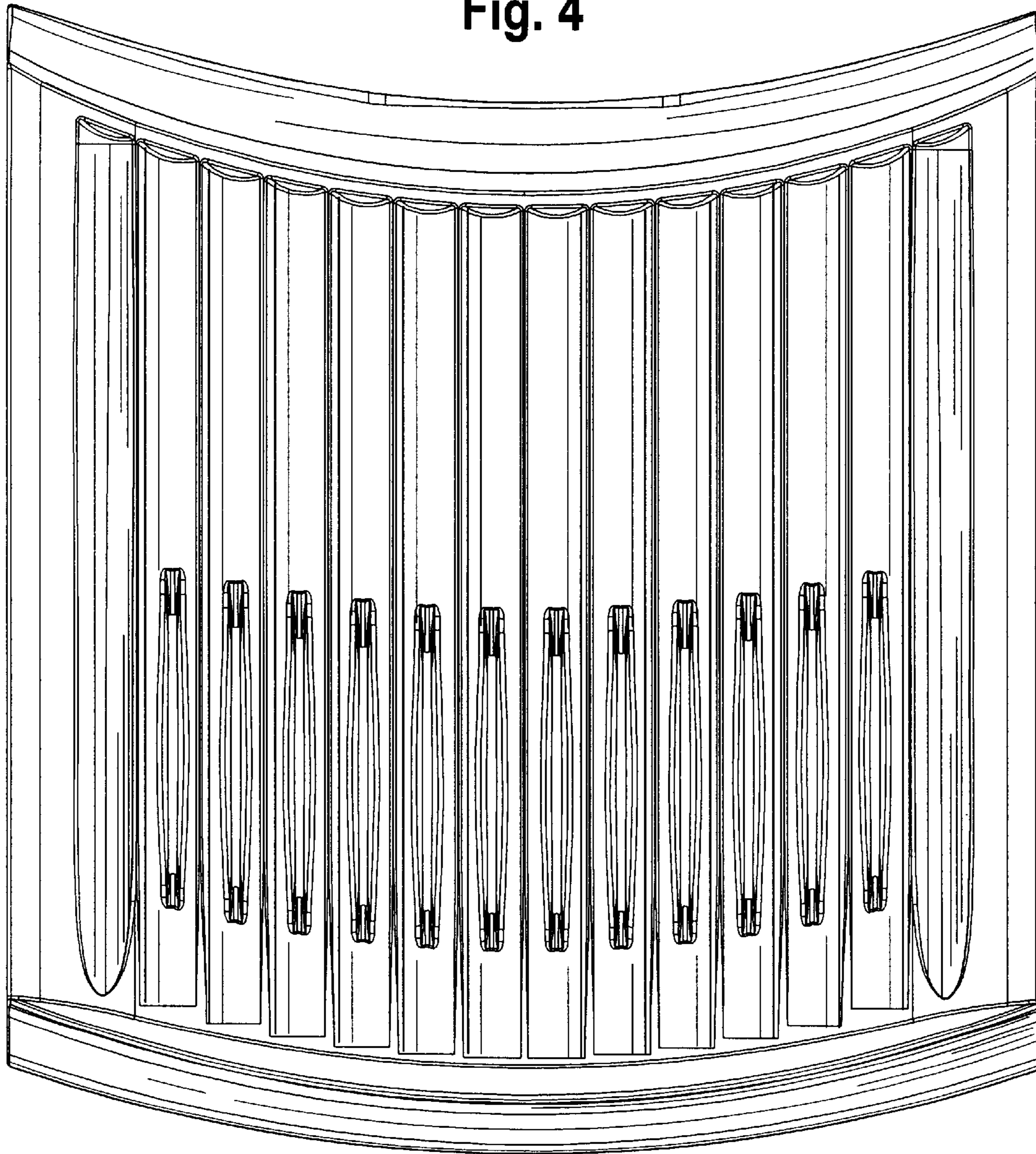


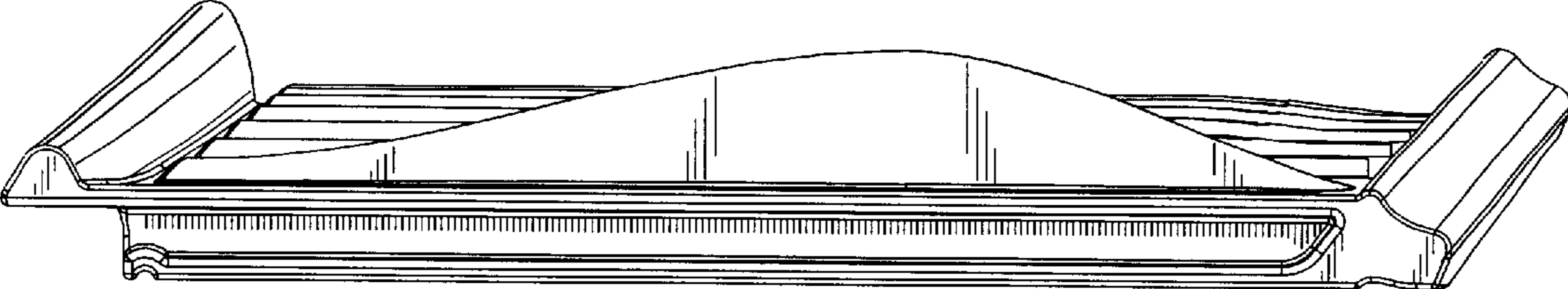
Fig. 3



Fig. 4



**Fig. 5**



**Fig. 6**

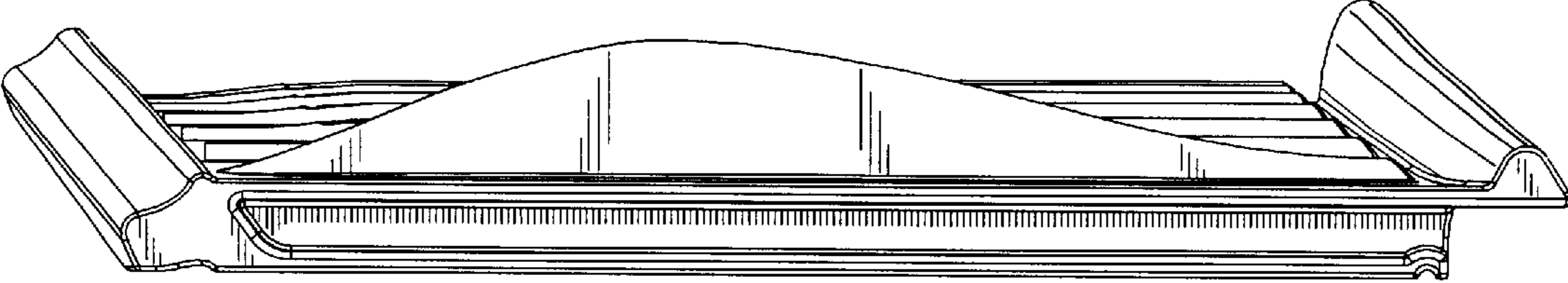


Fig. 7

