



US00D522786S

(12) **United States Design Patent**
Chu et al.

(10) **Patent No.:** **US D522,786 S**

(45) **Date of Patent:** **** Jun. 13, 2006**

(54) **BATH ACCESSORY**

(75) Inventors: **Aaron Chu**, Taichung (TW); **Ken Hsui**,
Taichung (TW); **Jau-Chi Lai**, Taichung
(TW)

(73) Assignee: **Globe Union Industrial Corp.**,
Taichung (TW)

(**) Term: **14 Years**

(21) Appl. No.: **29/232,289**

(22) Filed: **Jun. 17, 2005**

(51) **LOC (8) Cl.** **06-04**

(52) **U.S. Cl.** **D6/550**

(58) **Field of Classification Search** D6/546-550,
D6/518-523; D8/300, 303, 315-321, 349,
D8/354, 363, 373, 380; 108/28-29; 211/13.1,
211/16, 60.1, 100, 86.01, 87.01, 88.01, 88.04,
211/105.1-105.2, 123, 182, 181.1; 248/175,
248/176.1, 251, 302, 309.1; 16/110.1, 412,
16/415; 242/570, 590, 595-598

See application file for complete search history.

(56) **References Cited**

U.S. PATENT DOCUMENTS

- D416,419 S * 11/1999 Chen D6/550
- D451,737 S * 12/2001 Chen D6/550
- D451,738 S * 12/2001 Yeh D6/550
- D452,402 S * 12/2001 Chen D6/550

- D466,351 S * 12/2002 Tai D6/550
- D466,736 S * 12/2002 Ouyoung D6/550
- D488,943 S * 4/2004 Bates D6/550

* cited by examiner

Primary Examiner—Brian N Vinson

(74) *Attorney, Agent, or Firm*—Leong C. Lei

(57) **CLAIM**

The ornamental design for a bath accessory, as shown and described.

DESCRIPTION

FIG. 1 is a front perspective view of a bath accessory showing my new design;

FIG. 2 is a front elevational view thereof;

FIG. 3 is a rear elevational view thereof;

FIG. 4 is a left side elevational view thereof;

FIG. 5 is a right side elevational view thereof;

FIG. 6 is a top plan view thereof;

FIG. 7 is a bottom plan view thereof;

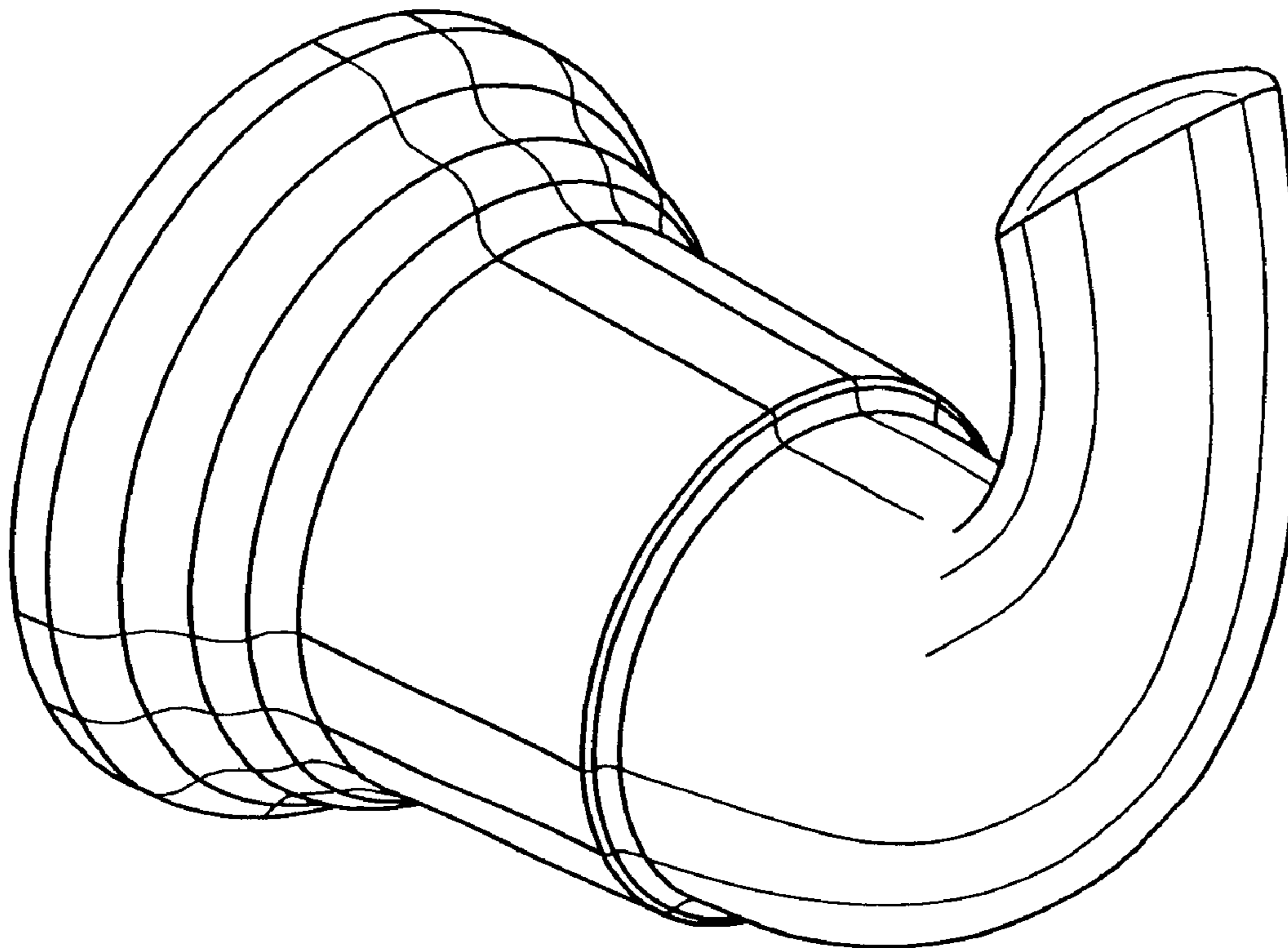
FIG. 8 is a front perspective view, shown with a first embodiment of a towel ring engaged;

FIG. 9 is a front perspective view, shown with a second embodiment of a towel ring engaged; and,

FIG. 10 is a front perspective view, shown with the towel rack engaged.

The dotted line portions are for illustrative purposes only and form no part of the claimed design.

1 Claim, 7 Drawing Sheets



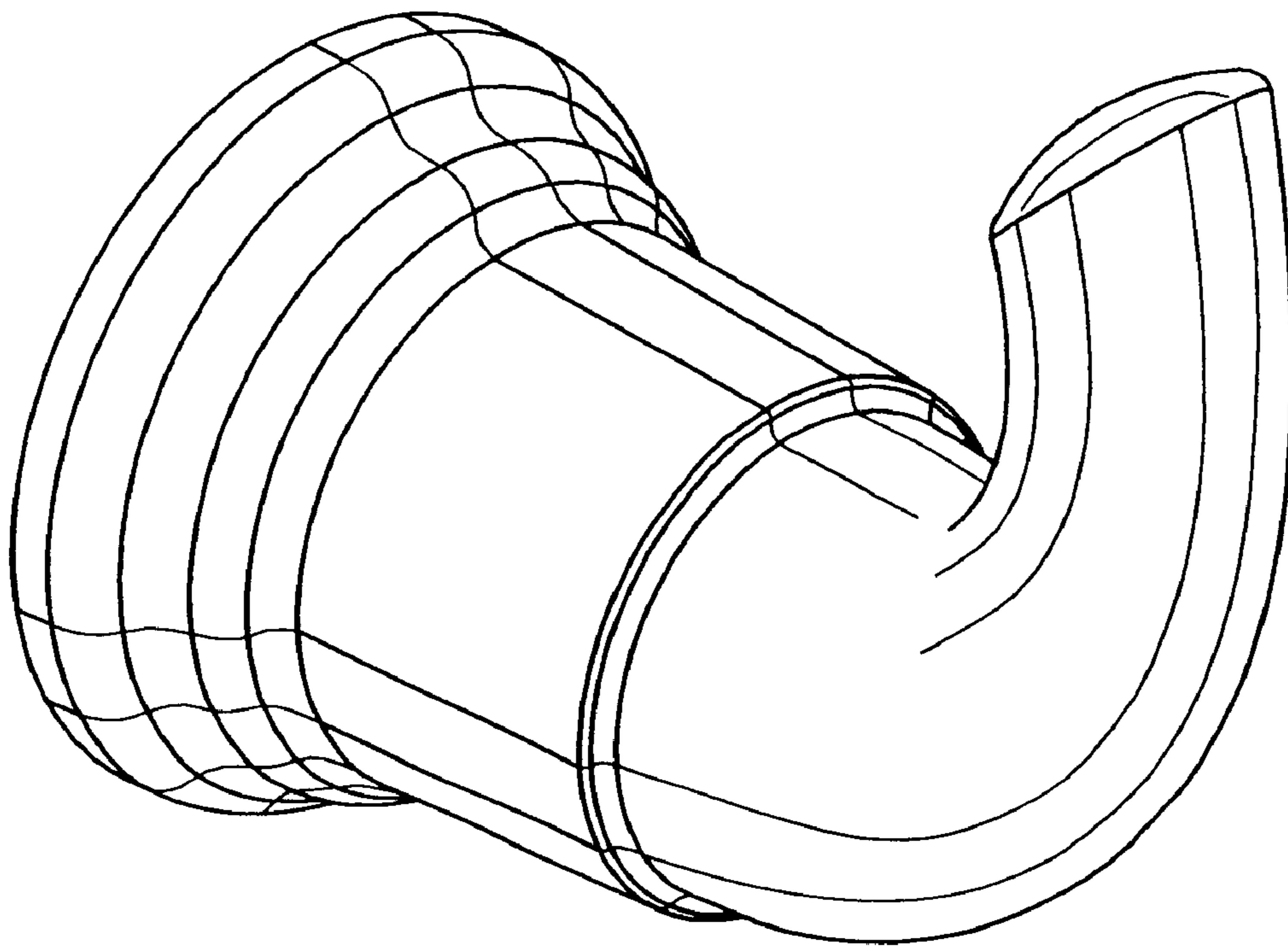


FIG. 1

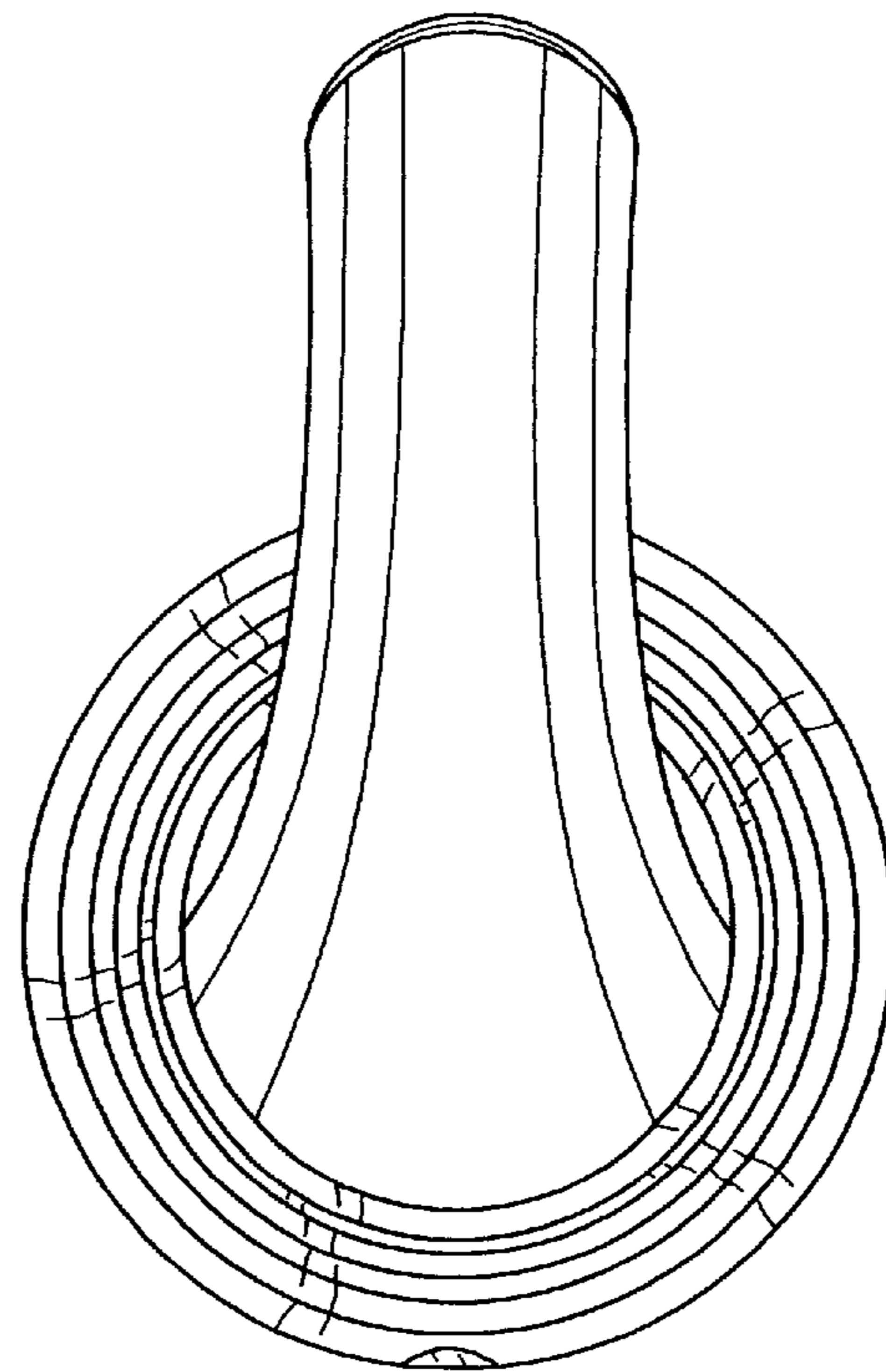


FIG. 2

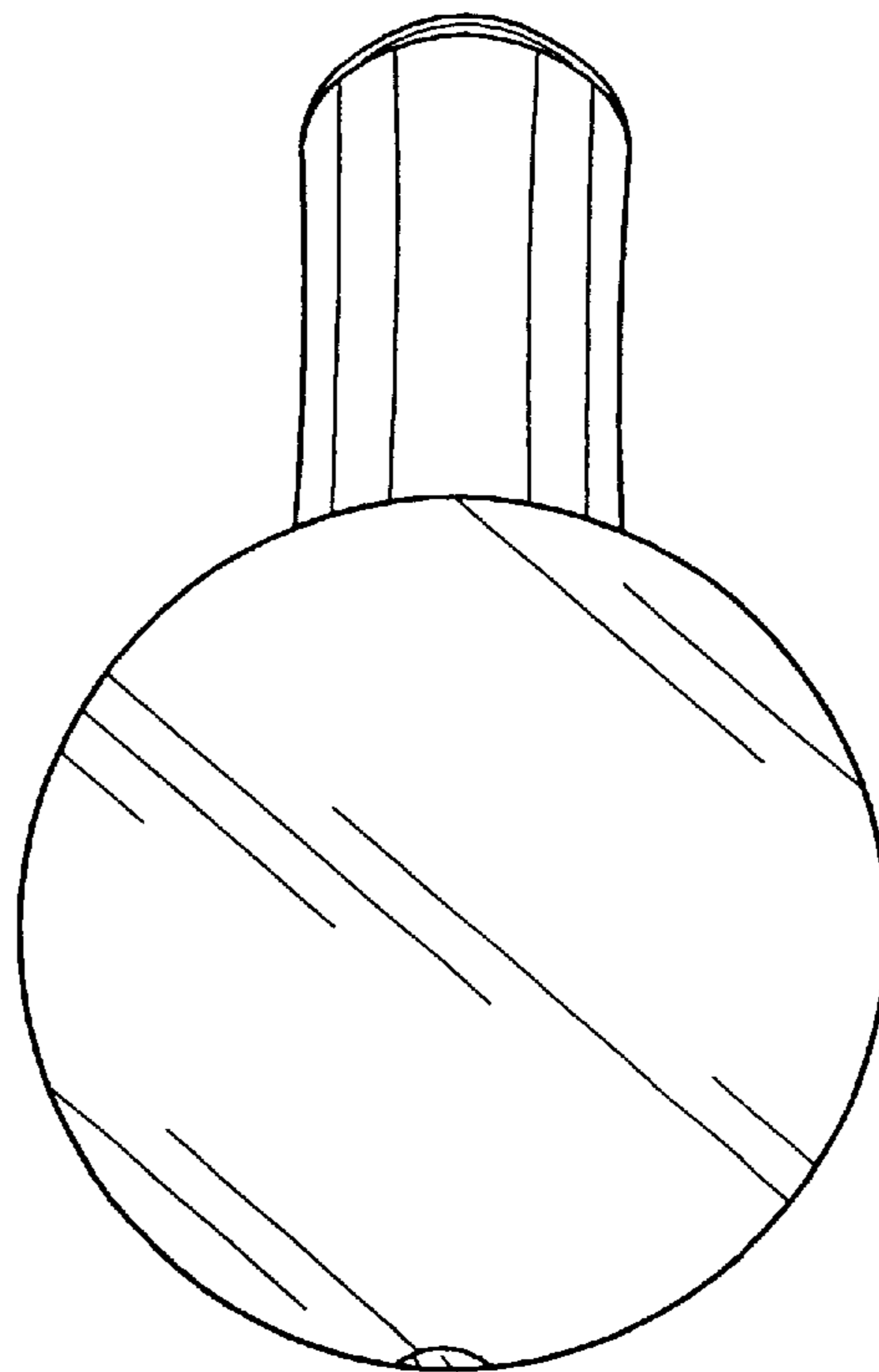


FIG. 3

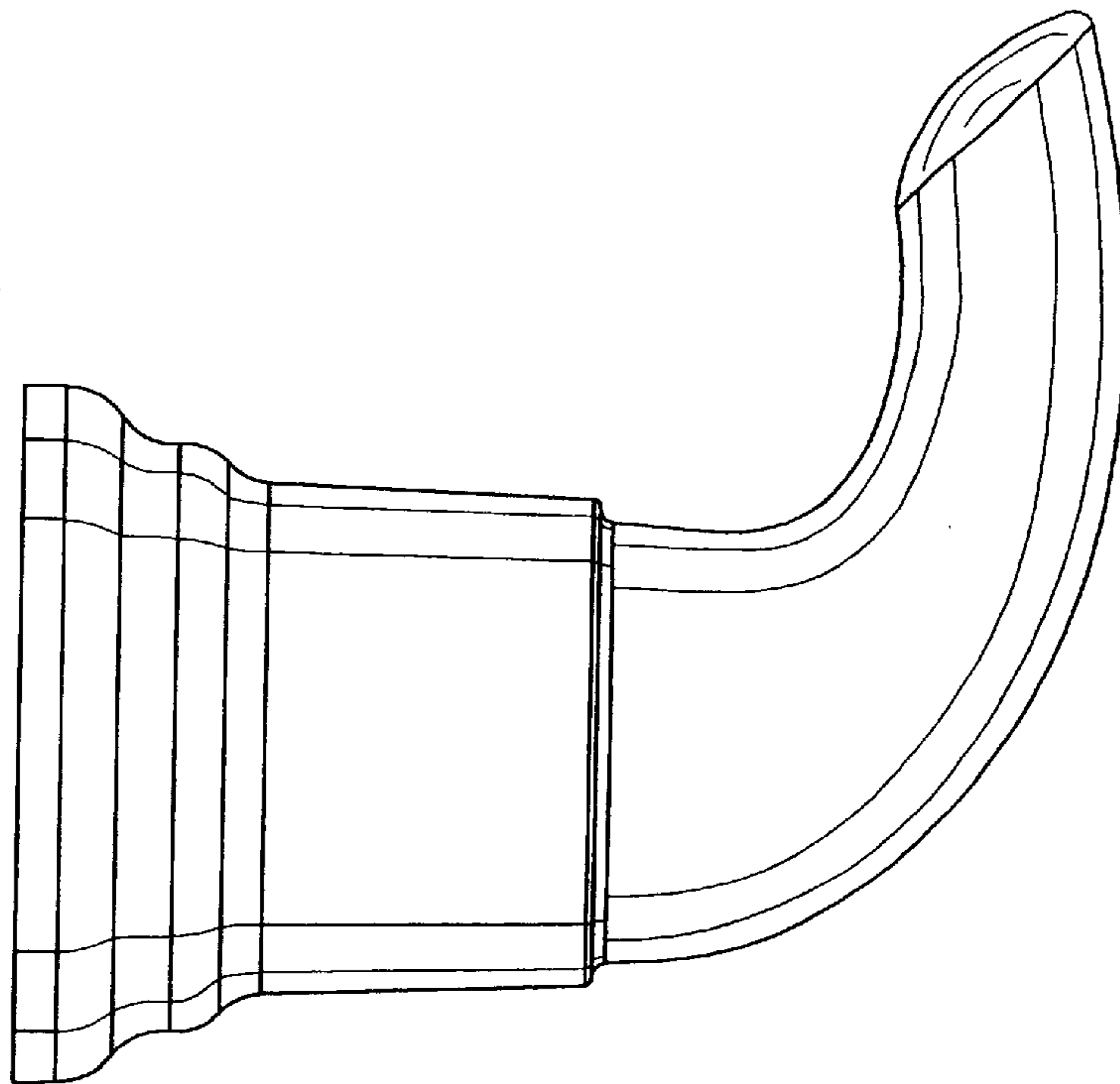


FIG. 4

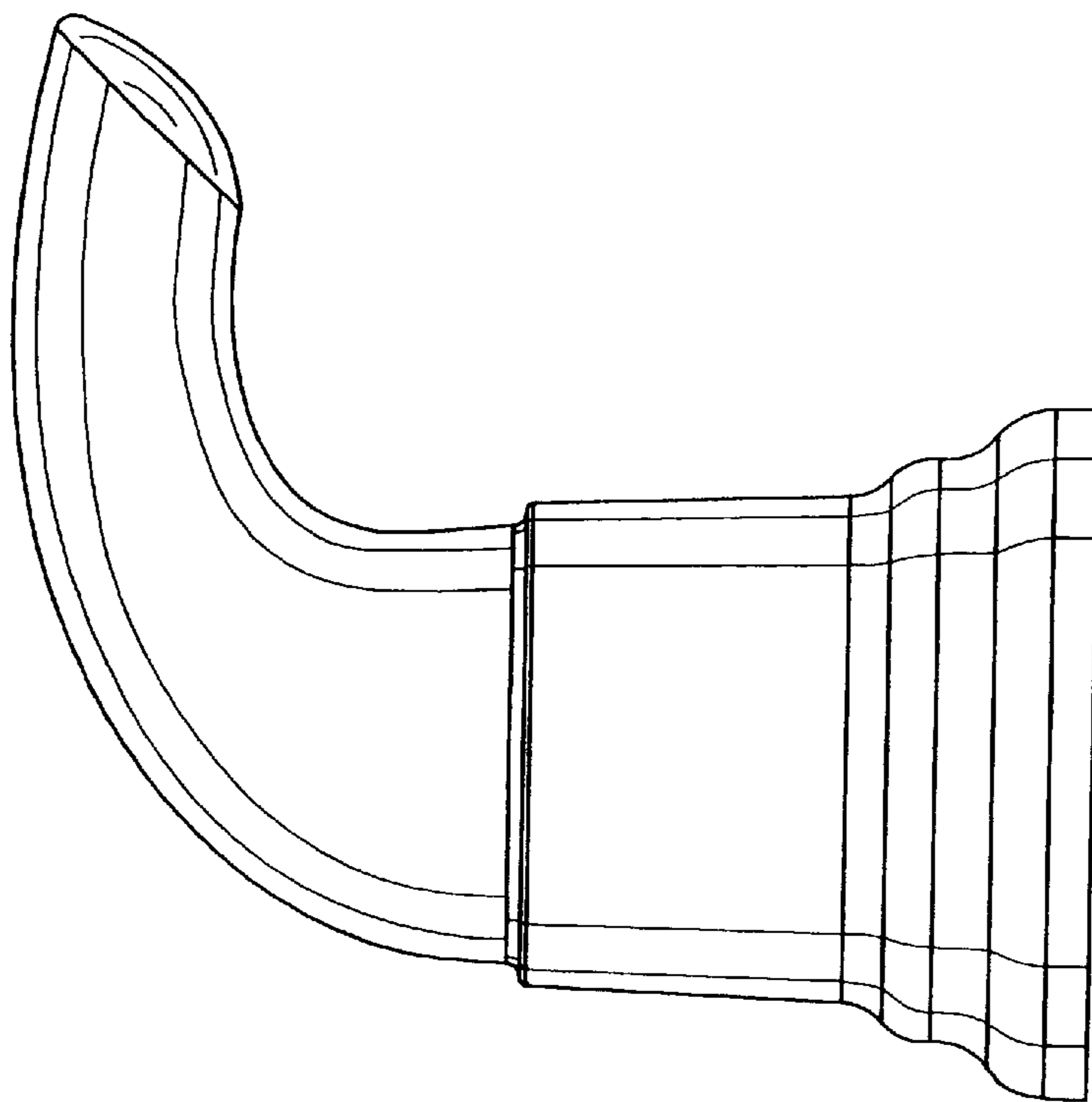


FIG. 5

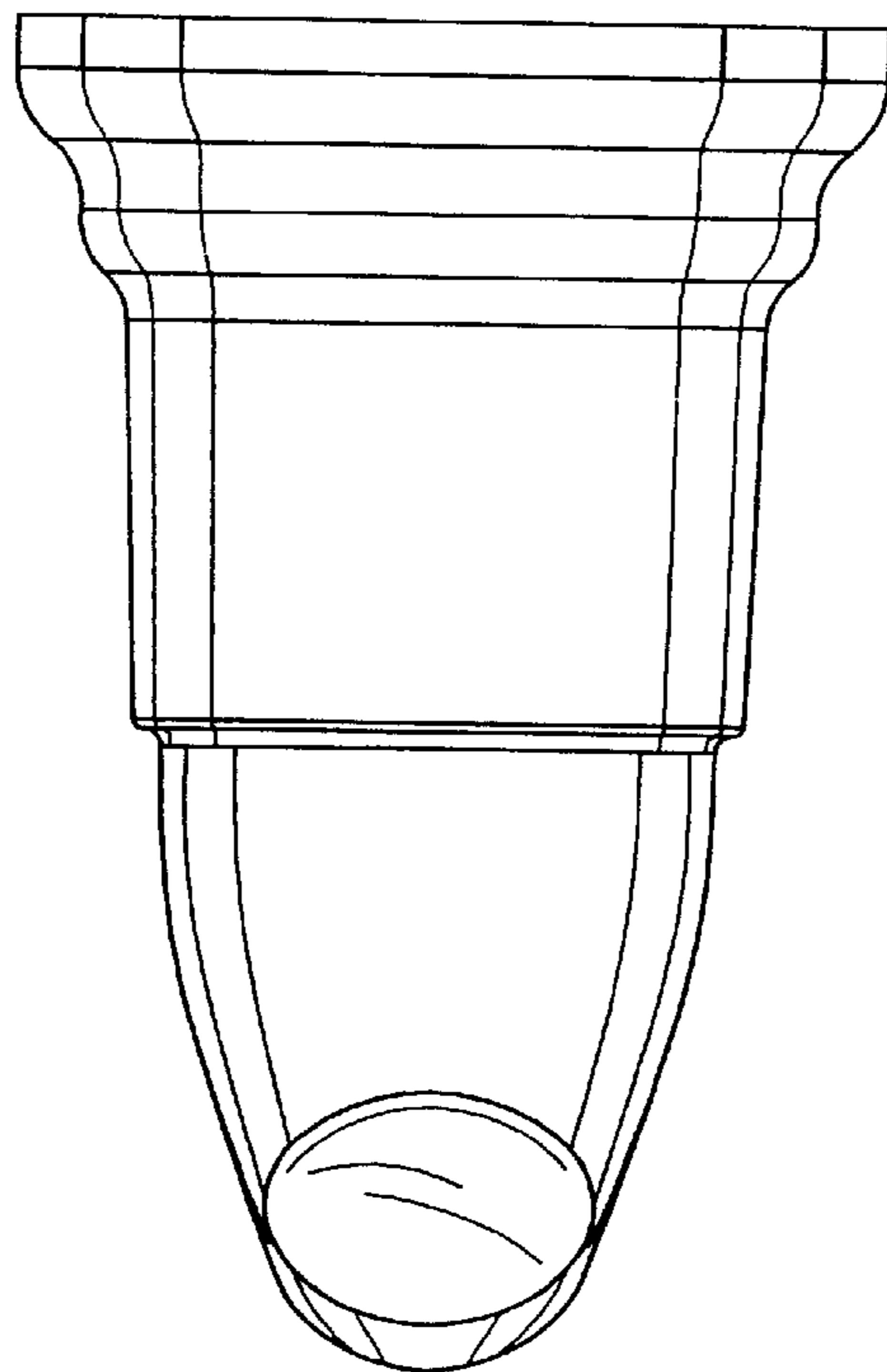


FIG. 6

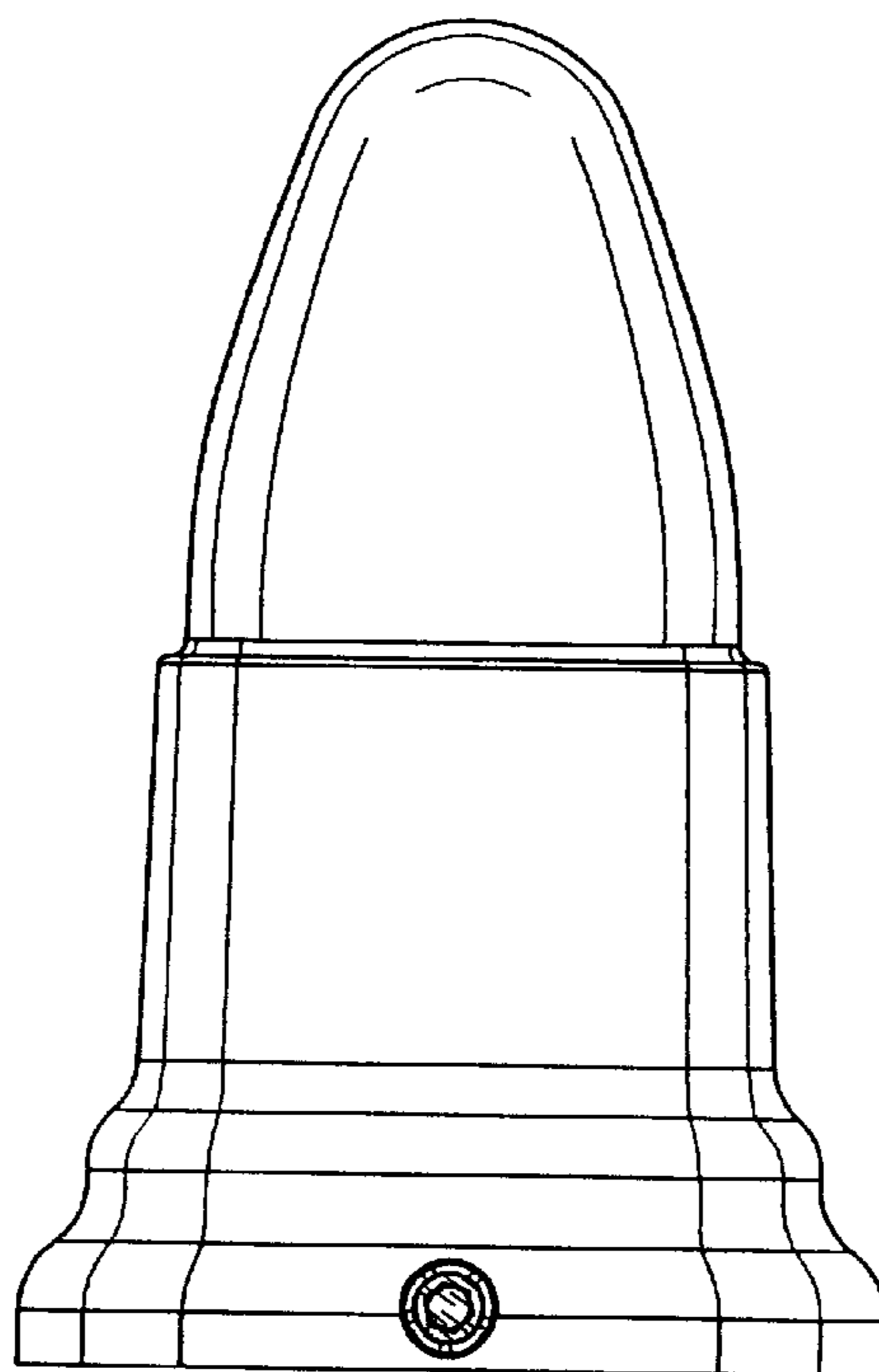


FIG. 7

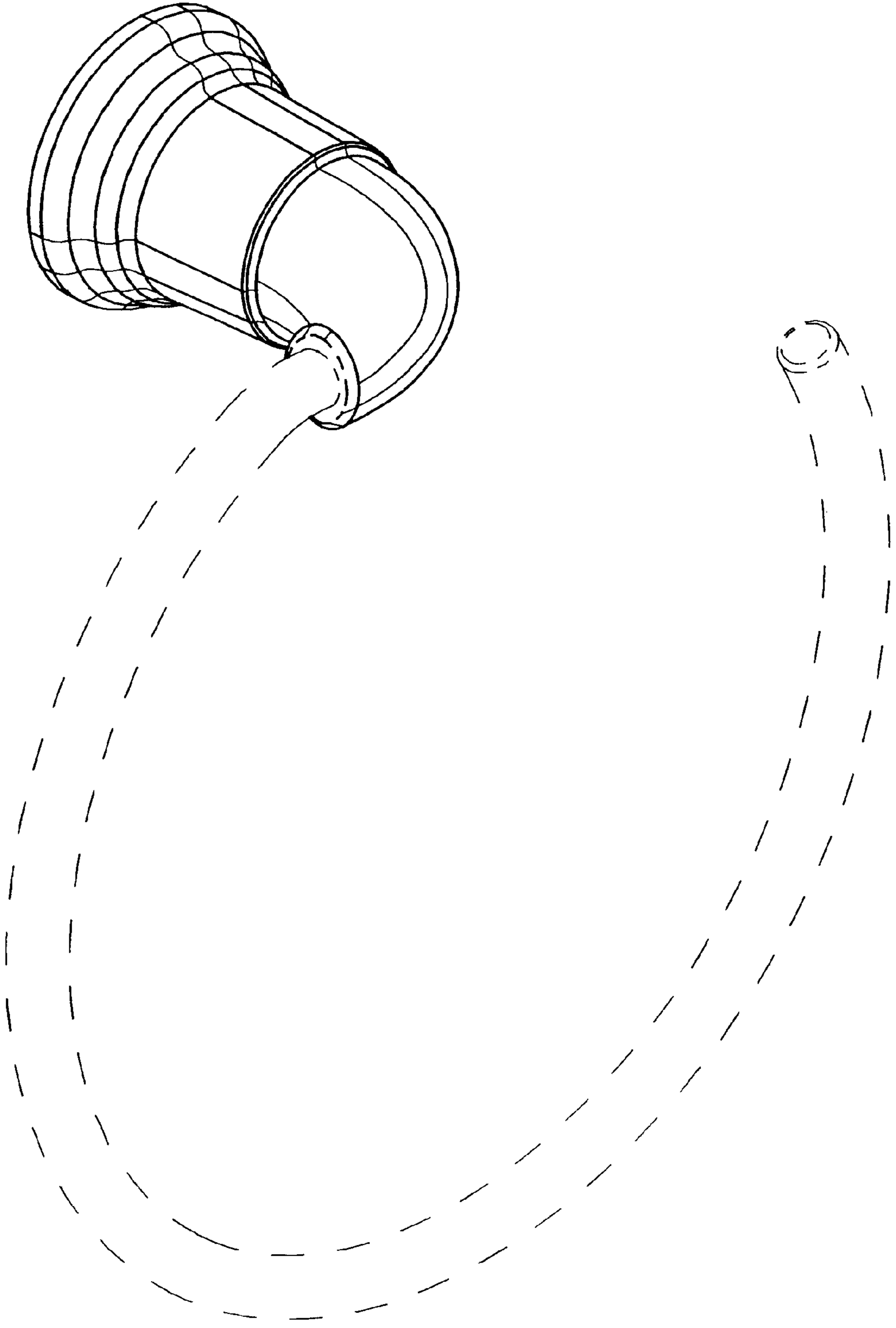


FIG. 8

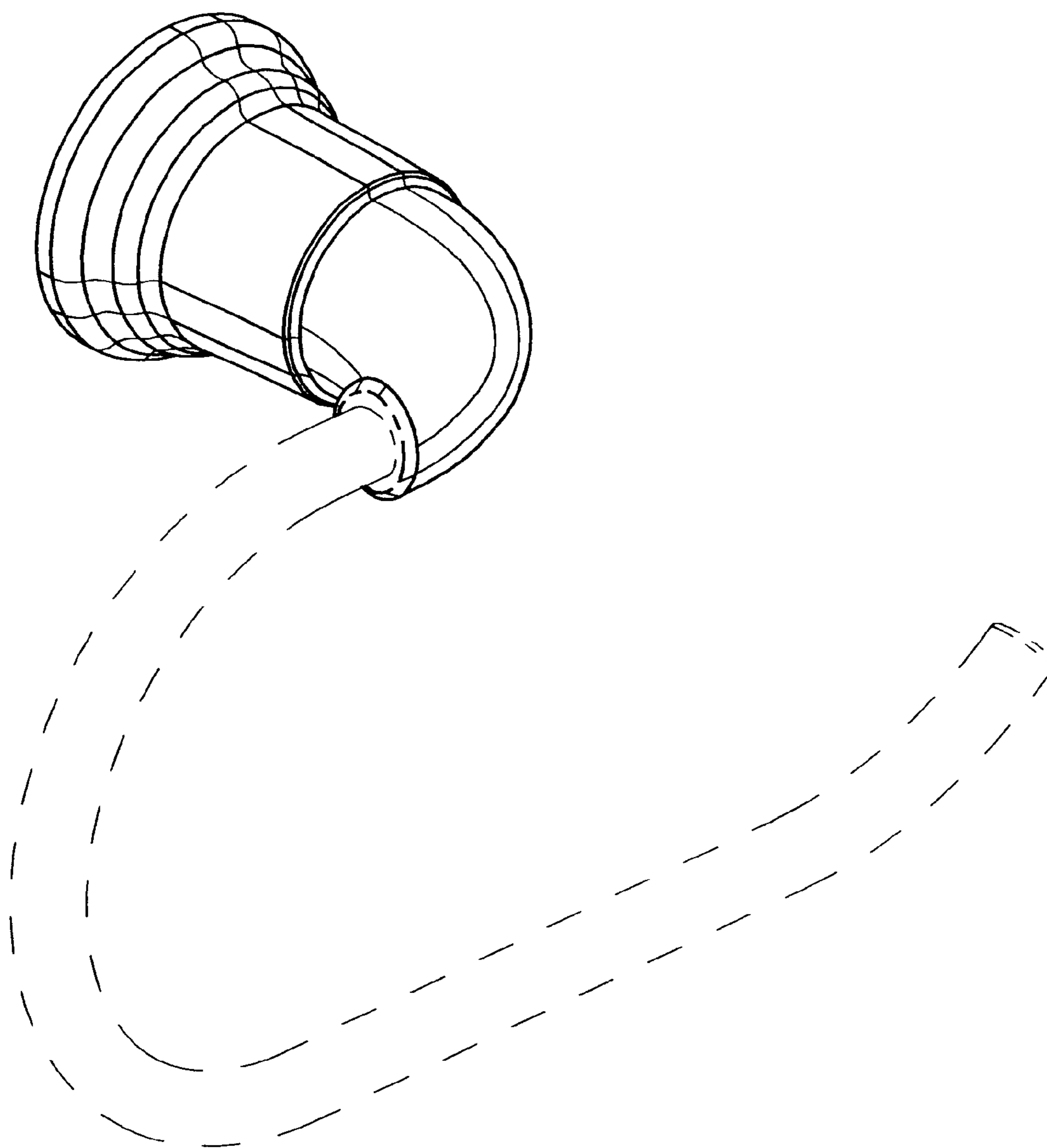


FIG. 9

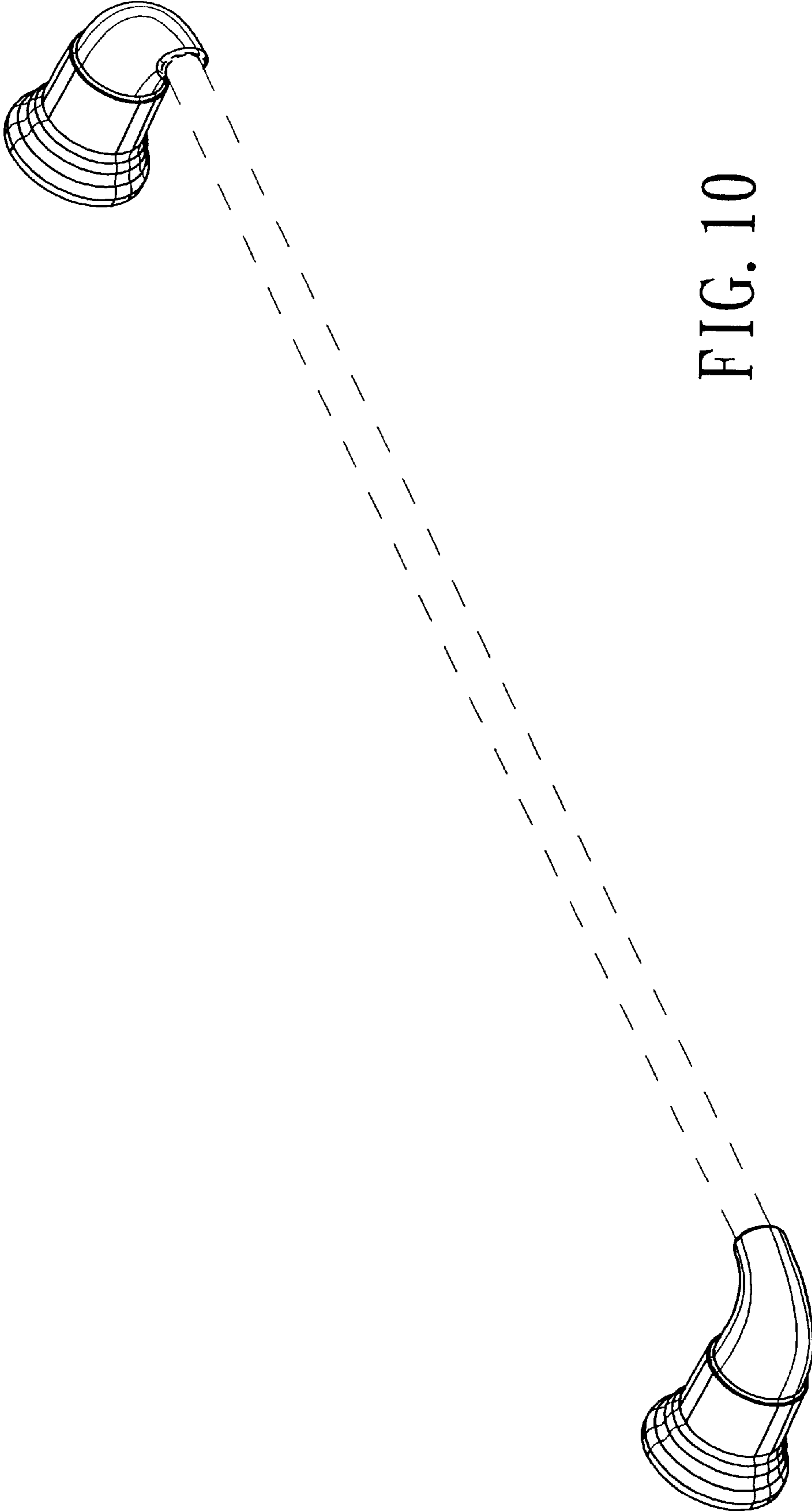


FIG. 10