

US00D522785S

(12) **United States Design Patent**
Brady

(10) **Patent No.:** **US D522,785 S**
(45) **Date of Patent:** **** Jun. 13, 2006**

- (54) **TOWEL DISPENSER**
- (76) Inventor: **James Brady**, 1009 Hale Rd.,
Wilmington, OH (US) 45177
- (**) Term: **14 Years**
- (21) Appl. No.: **29/223,647**
- (22) Filed: **Jan. 31, 2005**
- (51) **LOC (8) Cl.** **20-02**
- (52) **U.S. Cl.** **D6/518**
- (58) **Field of Classification Search** D6/515-523;
206/225, 233, 389, 391, 812, 824; 211/13.1,
211/45; 222/173, 180; 221/26, 33, 282-283;
224/925; 242/570, 590; 248/309.1, 309.2,
248/905; D12/17, 19
See application file for complete search history.

- 5,452,832 A 9/1995 Niada
- 6,145,782 A * 11/2000 King et al. 242/590
- D441,230 S * 5/2001 Andersson D6/518
- D446,065 S * 8/2001 Andersson D6/518
- D449,474 S * 10/2001 Conran et al. D6/518
- D488,655 S * 4/2004 Tramontina et al. D6/518

* cited by examiner

Primary Examiner—Brian N Vinson

(74) *Attorney, Agent, or Firm*—Michael L. Wright

(57) **CLAIM**

The ornamental design for a towel dispenser, as shown and described.

DESCRIPTION

FIG. 1 is a top, front, and left side perspective of a towel dispenser showing my new design, the broken-line disclosure of a portion of a towel being for illustrative purposes only and forming no part of the claimed design;

FIG. 2 is a top plan view thereof;

FIG. 3 is a bottom plan view thereof;

FIG. 4 is front elevational view thereof;

FIG. 5 is a rear elevational view thereof; and,

FIG. 6 is a left side elevational view thereof.

- (56) **References Cited**
- U.S. PATENT DOCUMENTS
- 3,647,158 A 3/1972 Bump
- 4,119,255 A 10/1978 D'Angelo
- 4,666,099 A 5/1987 Hoffman et al.
- 5,031,258 A 7/1991 Shaw
- 5,217,035 A 6/1993 Van Marcke

1 Claim, 4 Drawing Sheets

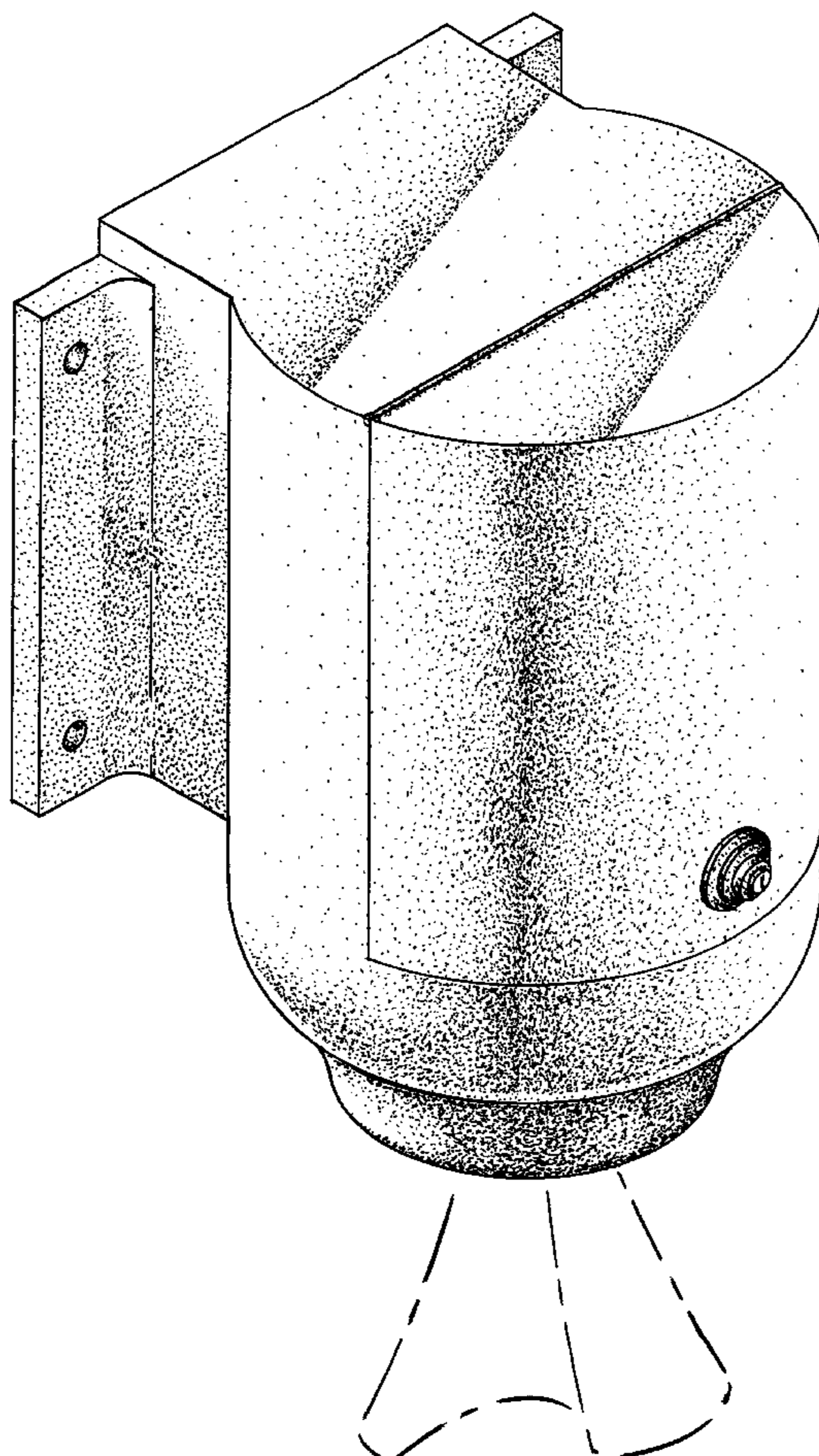


FIG - 1

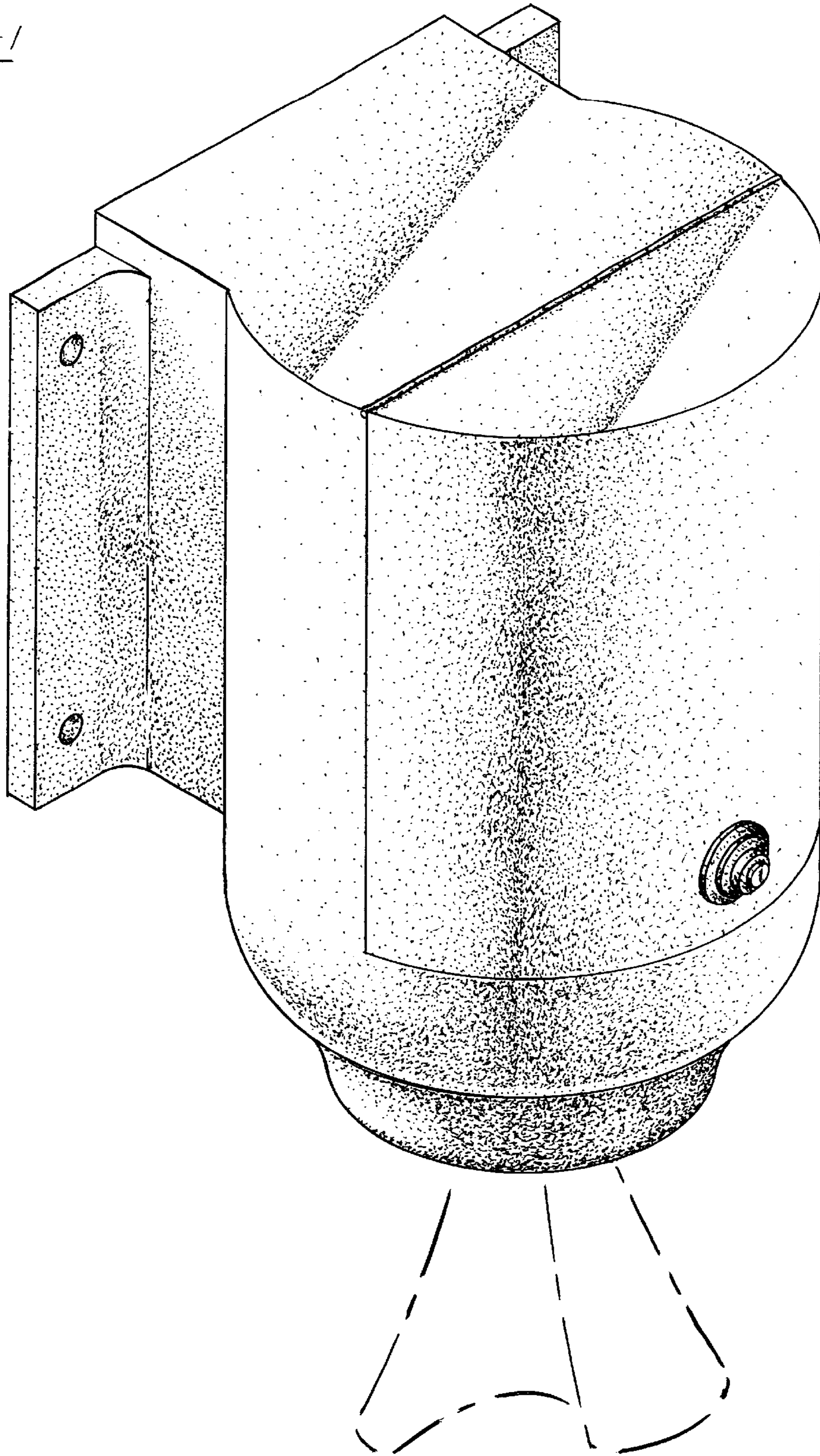


FIG - 2

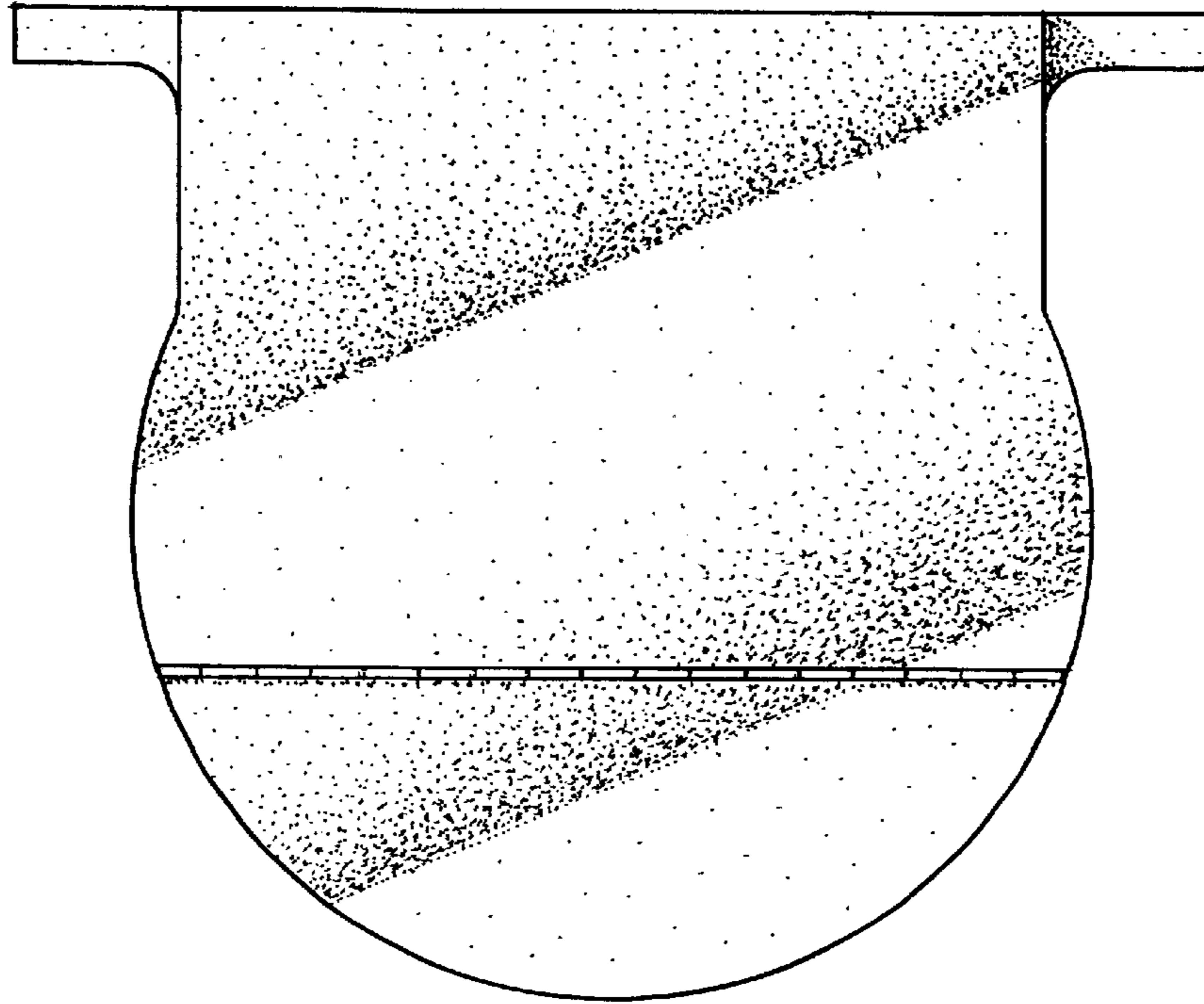


FIG - 3

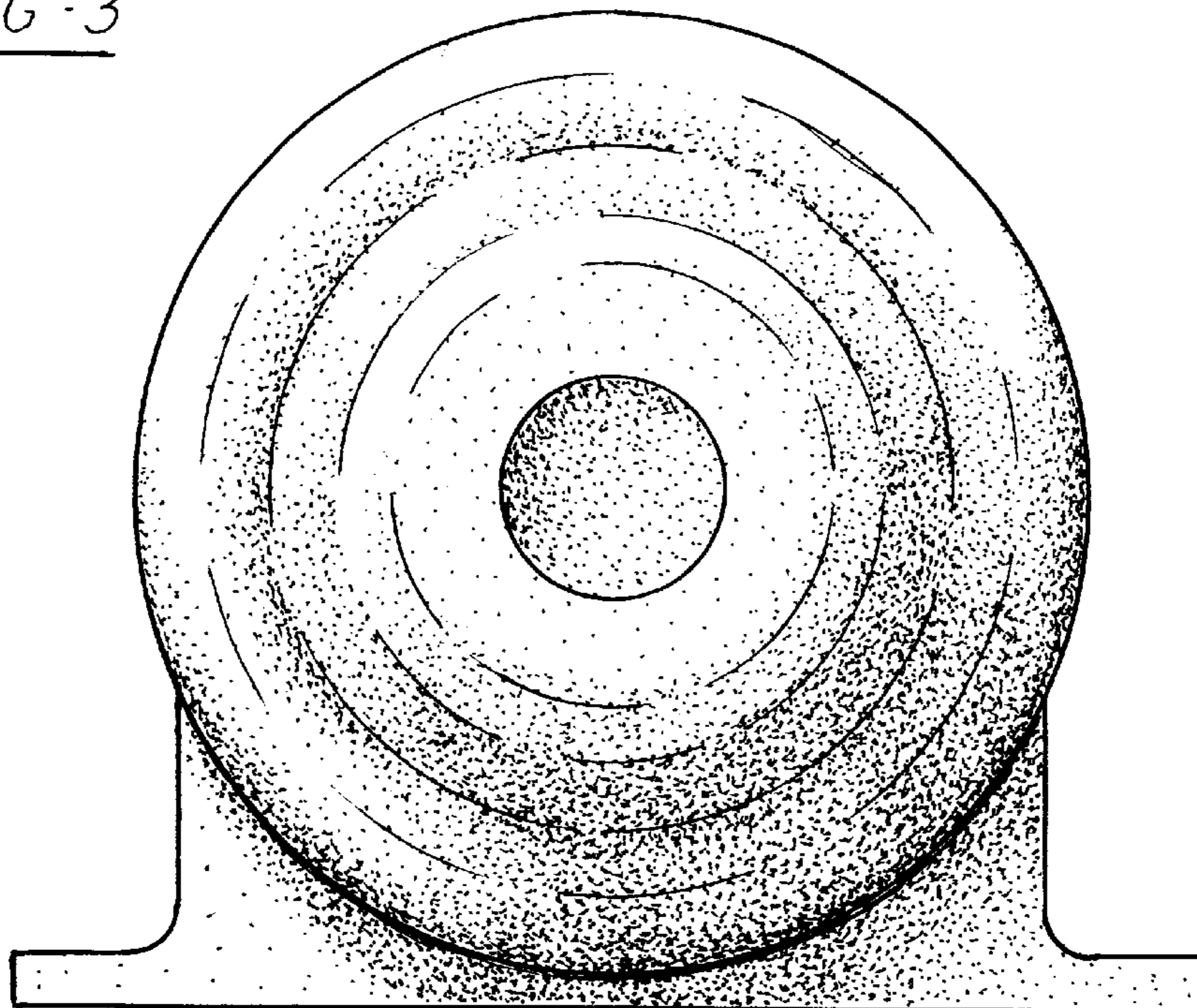


FIG-4

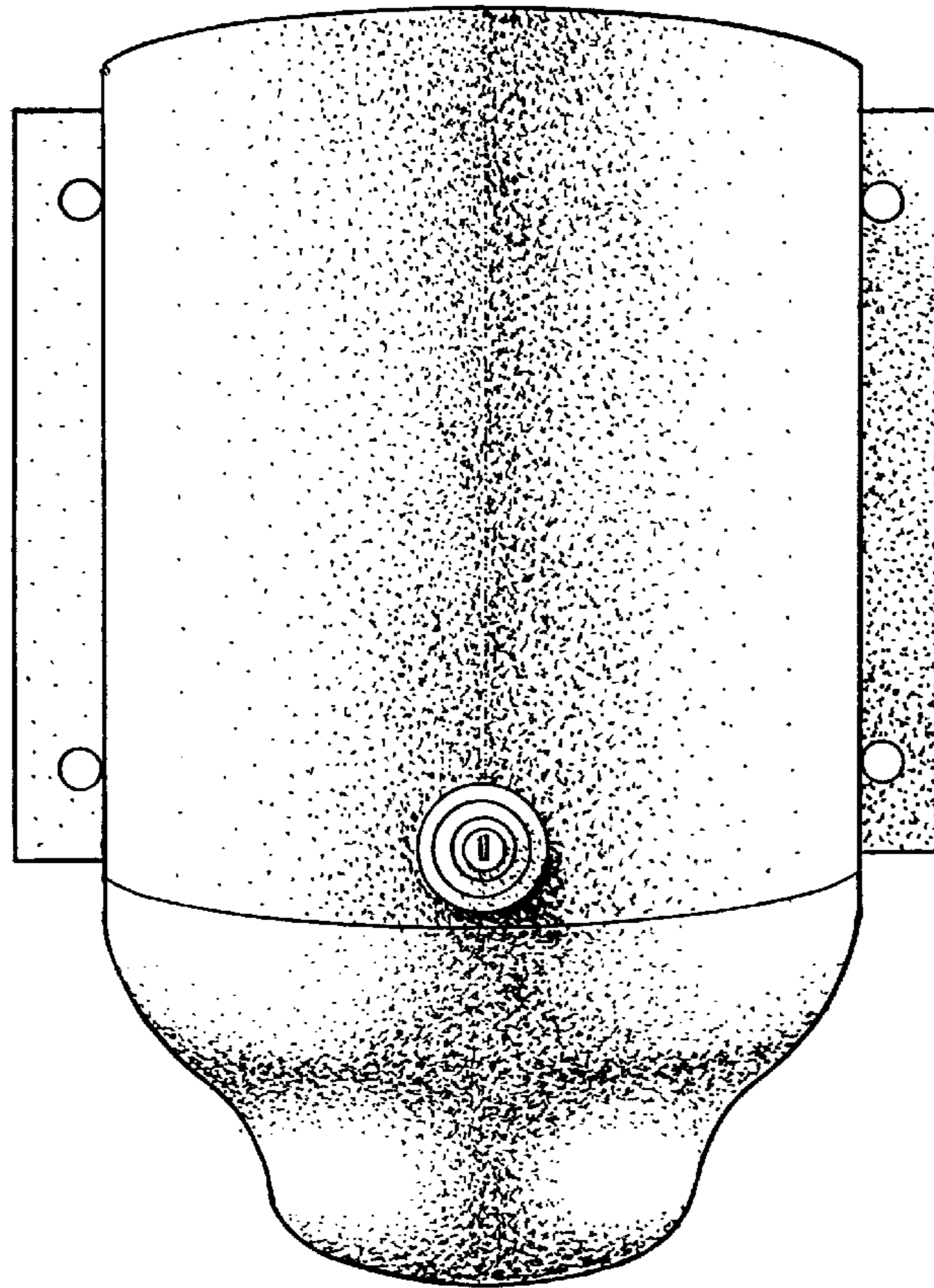


FIG-5

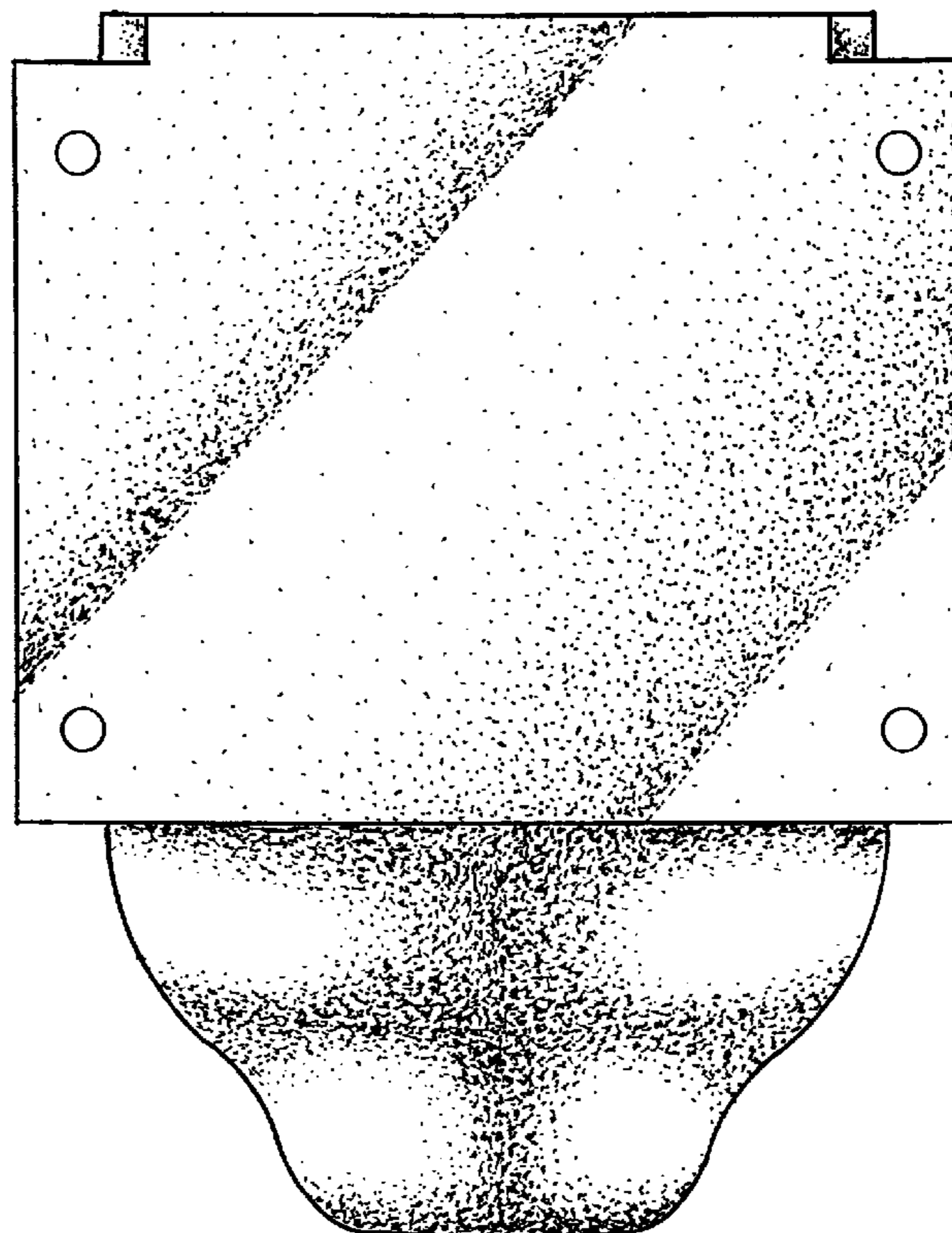


FIG - 6

