

US00D522782S

(12) **United States Design Patent**
Benedetti et al.

(10) **Patent No.:** **US D522,782 S**
(45) **Date of Patent:** **** Jun. 13, 2006**

(54) **DISPENSER**

D441,577 S * 5/2001 Benedetti D6/518

(75) Inventors: **Giovanni Benedetti**, West Kilbride
(GB); **Graham Sharp**, Renfrew (GB);
Stephen Slack, Airdrie (GB)

FOREIGN PATENT DOCUMENTS

GB 2092122 4/2000
GB 2105638 10/2001

(73) Assignee: **Benedetti International PLC**,
Lanarkshire (GB)

* cited by examiner

(**) Term: **14 Years**

Primary Examiner—Brian N Vinson
(74) *Attorney, Agent, or Firm*—Drinker Biddle & Reath
LLP

(21) Appl. No.: **29/218,561**

(57) **CLAIM**

(22) Filed: **Dec. 3, 2004**

The ornamental design for a dispenser, as shown and
described.

(51) **LOC (8) Cl.** **20-02**

(52) **U.S. Cl.** **D6/518**

(58) **Field of Classification Search** D6/515-523;
206/225, 233, 389, 391, 812, 824; 211/13.1,
211/45; 222/173, 180; 221/26, 33, 282-283;
224/925; 242/570, 590; 248/309.1, 309.2,
248/905; D12/17, 19

DESCRIPTION

See application file for complete search history.

FIG. 1 is front perspective view of a dispenser with a lid
closed showing a first embodiment of our new design.
FIG. 2 is a front perspective view of the dispenser with the
lid open.
FIG. 3 is a side view thereof.
FIG. 4 is a front view thereof.
FIG. 5 is a rear view thereof; and,
FIG. 6 is a top plan view thereof.
No bottom view is presented as the bottom is unornamented
and does not form a part of the design.

(56) **References Cited**

U.S. PATENT DOCUMENTS

D197,623 S * 3/1964 Palmo D6/518
D321,104 S * 10/1991 Schulein D6/520

1 Claim, 6 Drawing Sheets

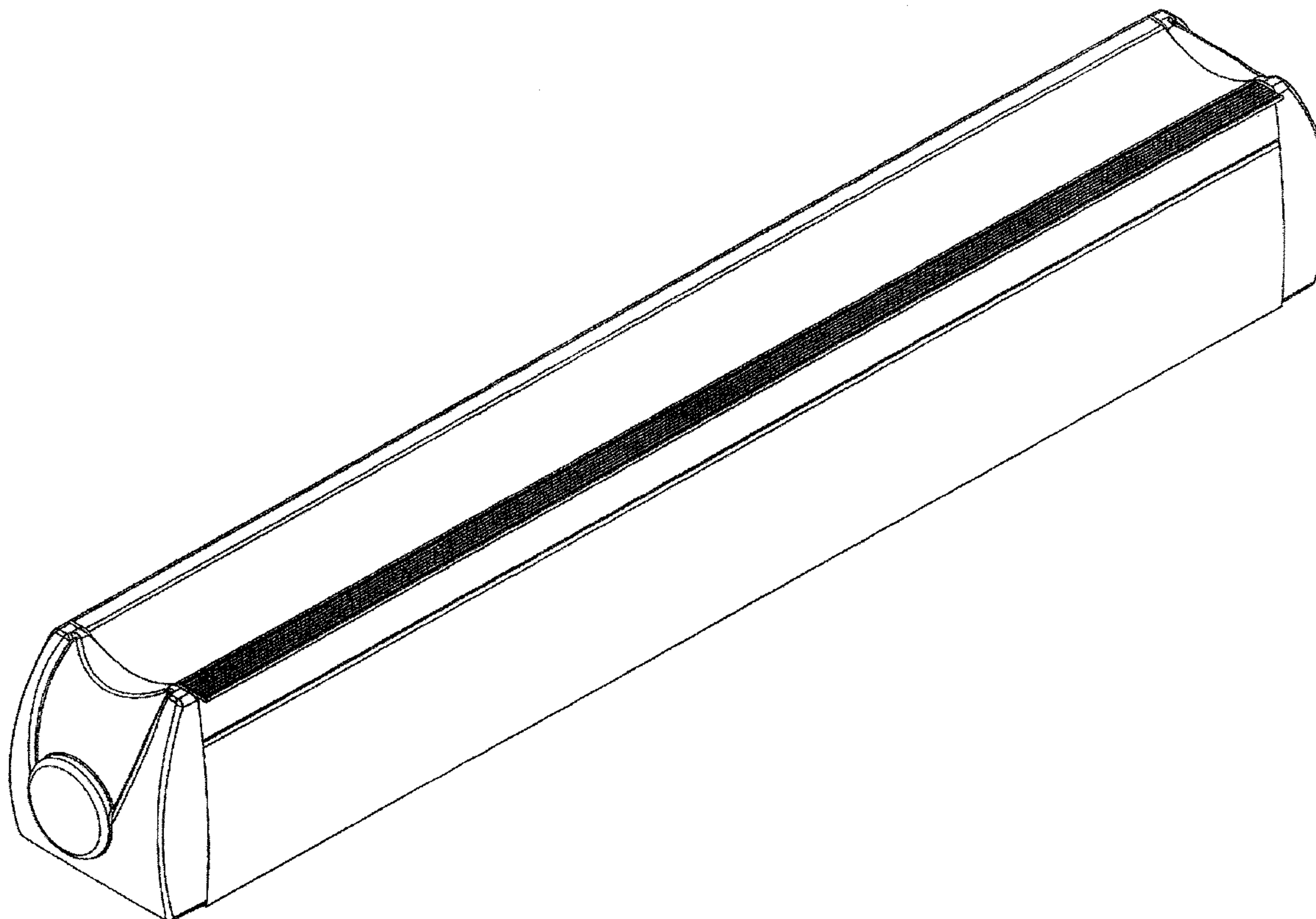




Fig. 1

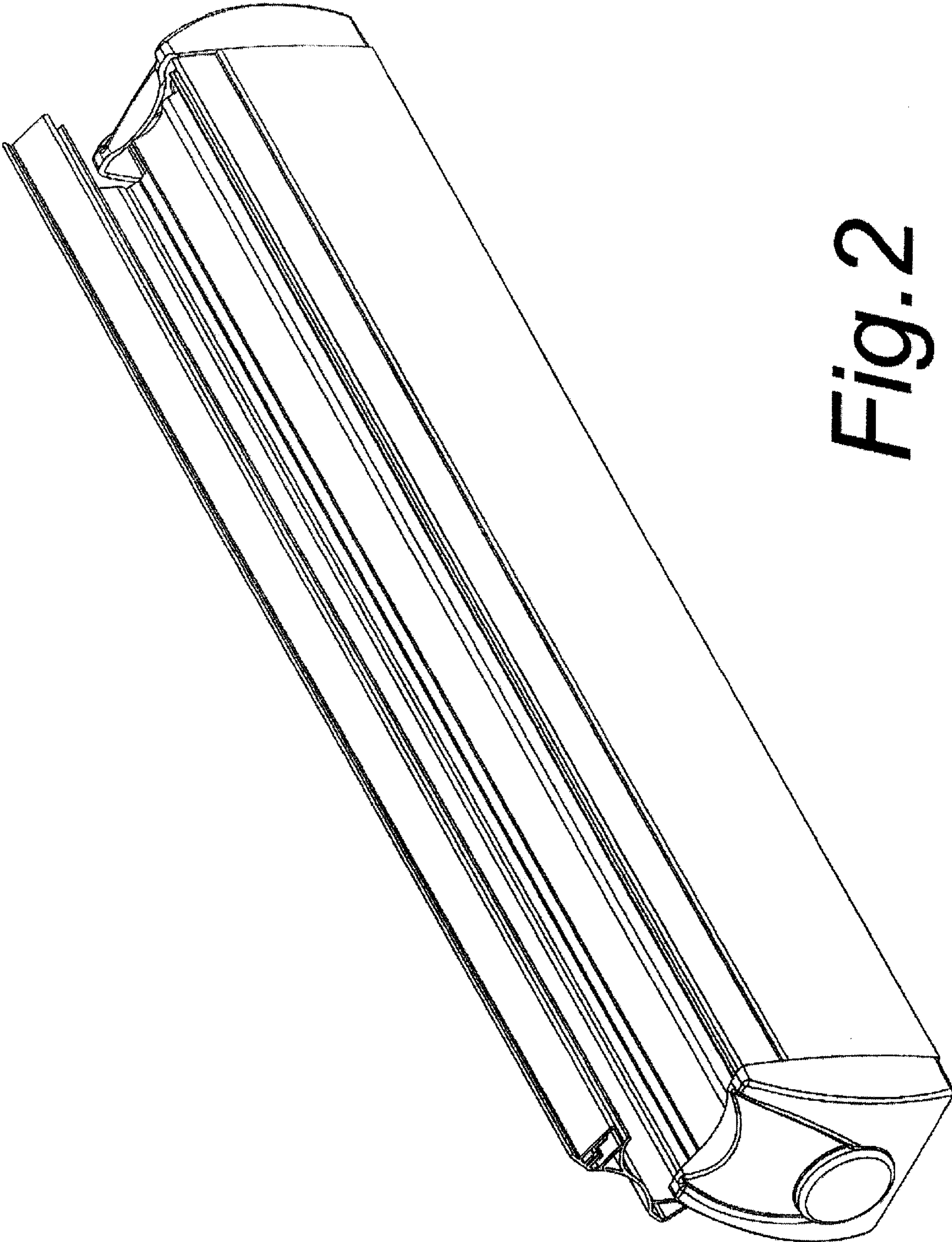


Fig. 2

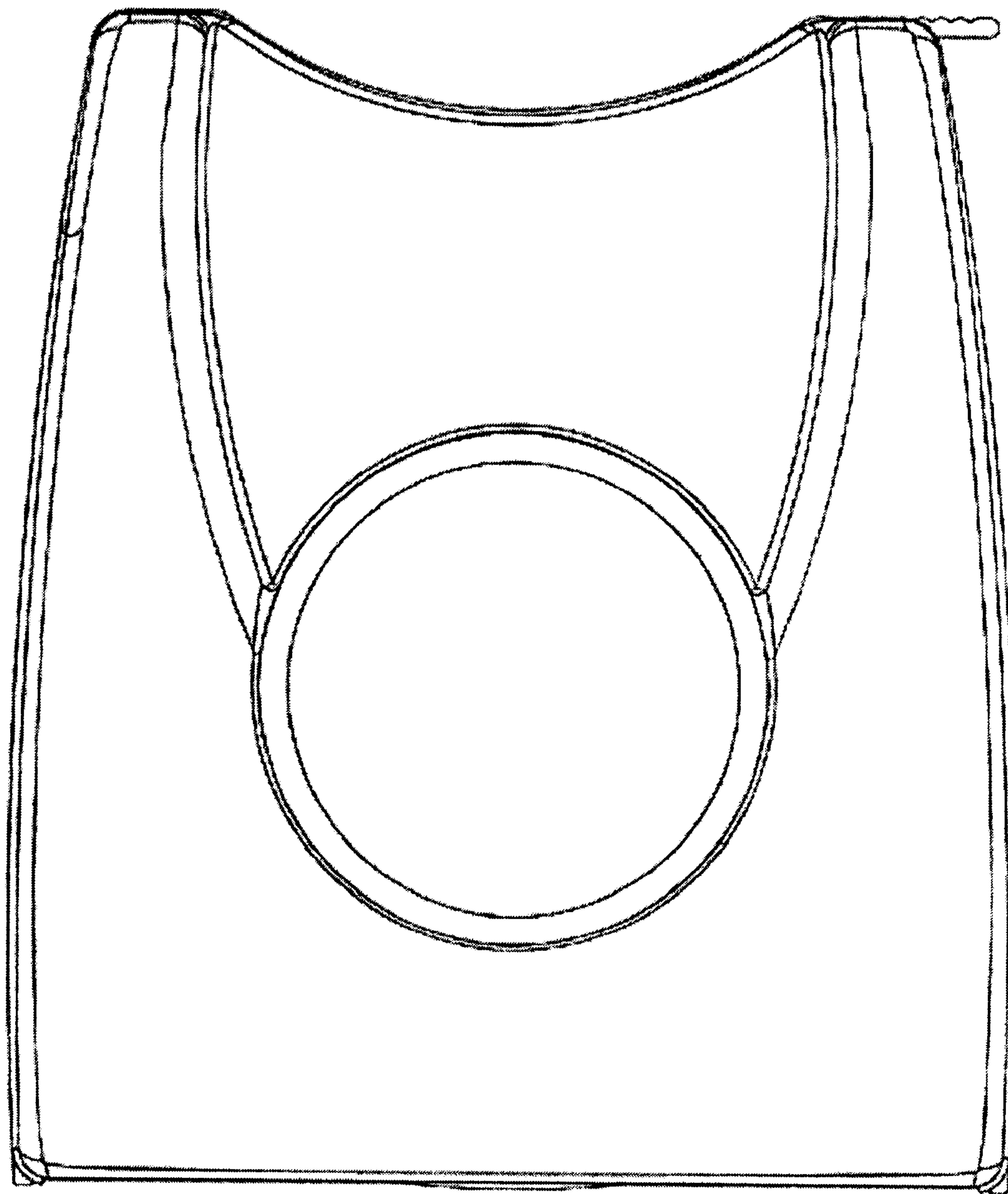


Fig. 3

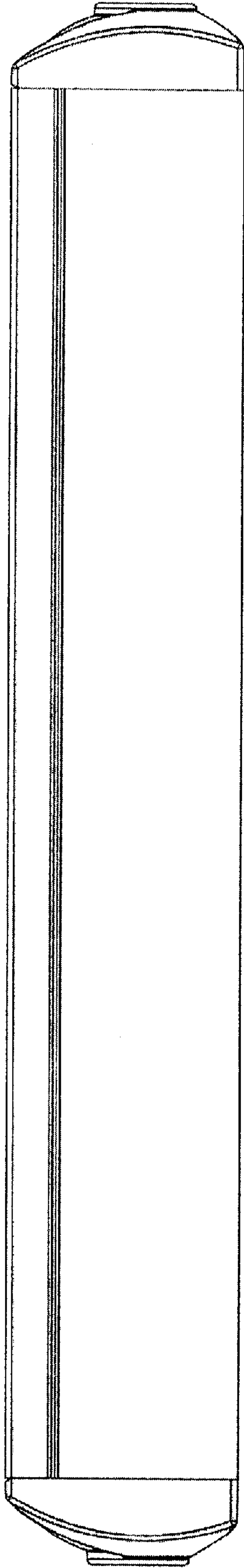


Fig. 4

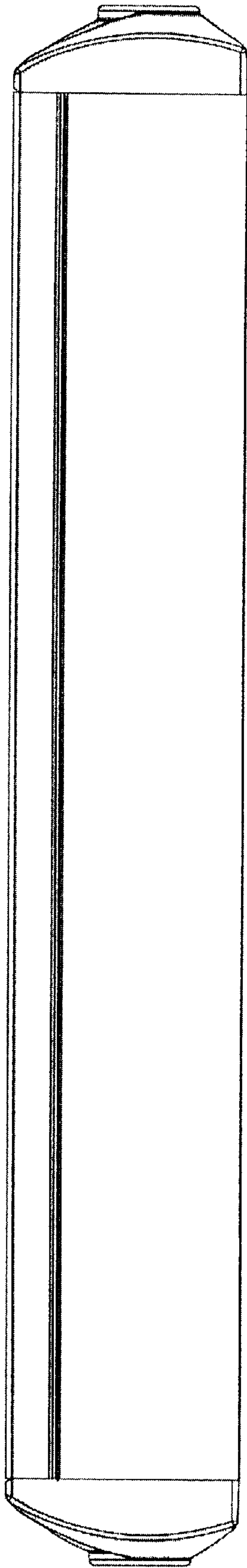


Fig. 5

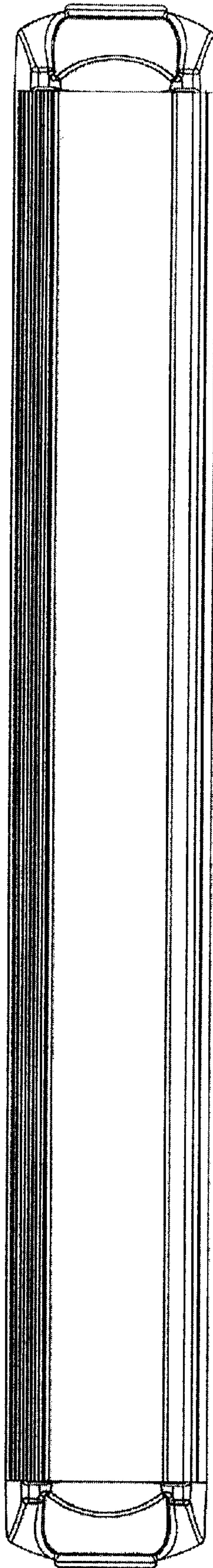


Fig. 6