

US00D522780S

(12) **United States Design Patent**
Sellars

(10) **Patent No.:** **US D522,780 S**
(45) **Date of Patent:** **** Jun. 13, 2006**

(54) **TOWEL DISPENSER**
(75) Inventor: **John C. Sellars**, Wauwatosa, WI (US)
(73) Assignee: **Sellars Absorbent Materials, Inc.**,
Milwaukee, WI (US)
(**) Term: **14 Years**
(21) Appl. No.: **29/207,497**
(22) Filed: **Jun. 15, 2004**

5,803,249 A 9/1998 Harsanyi, Jr. et al.
6,056,235 A * 5/2000 Brozinsky D6/523
6,220,435 B1 4/2001 Nobile et al.
6,279,775 B1 8/2001 Parkes et al.
6,321,937 B1 11/2001 DeSimone et al.
6,364,101 B1 4/2002 Schultz
D467,106 S 12/2002 Bohay
6,554,156 B1 4/2003 Chong
6,607,514 B1 8/2003 Reese
2003/0116582 A1 6/2003 Tosdale

(51) **LOC (8) Cl.** **20-02**
(52) **U.S. Cl.** **D6/518**
(58) **Field of Classification Search** D6/515-523;
206/225, 233, 389, 391, 812, 824; 211/13.1,
211/45; 222/173, 180; 221/26, 33, 282-283;
224/925; 242/570, 590; 248/309.1, 309.2,
248/905; D12/17, 19
See application file for complete search history.

OTHER PUBLICATIONS

Sherwin-Williams advertisement at
www2.sherwin-williams.com/newproducts.
“Rags in a Box” product of Kimberly Clark, seven color
photographs.

* cited by examiner

Primary Examiner—Brian N Vinson
(74) *Attorney, Agent, or Firm*—Fredrikson & Byron, P.A.

(56) **References Cited**

U.S. PATENT DOCUMENTS

2,317,102 A 4/1943 McKaig, Jr.
3,843,017 A 10/1974 Harrison
3,868,052 A 2/1975 Rockefeller
4,219,129 A 8/1980 Sedgwick
4,462,507 A 7/1984 Margulies
4,615,442 A 10/1986 Beeken
D293,058 S * 12/1987 Iwarsson D6/523
D316,789 S 5/1991 McLaughlin
D326,203 S * 5/1992 Butler D6/522
D327,798 S * 7/1992 Addison et al. D6/523
D327,799 S * 7/1992 Addison et al. D6/523
5,467,893 A 11/1995 Landis, II et al.
D372,615 S 8/1996 Owens

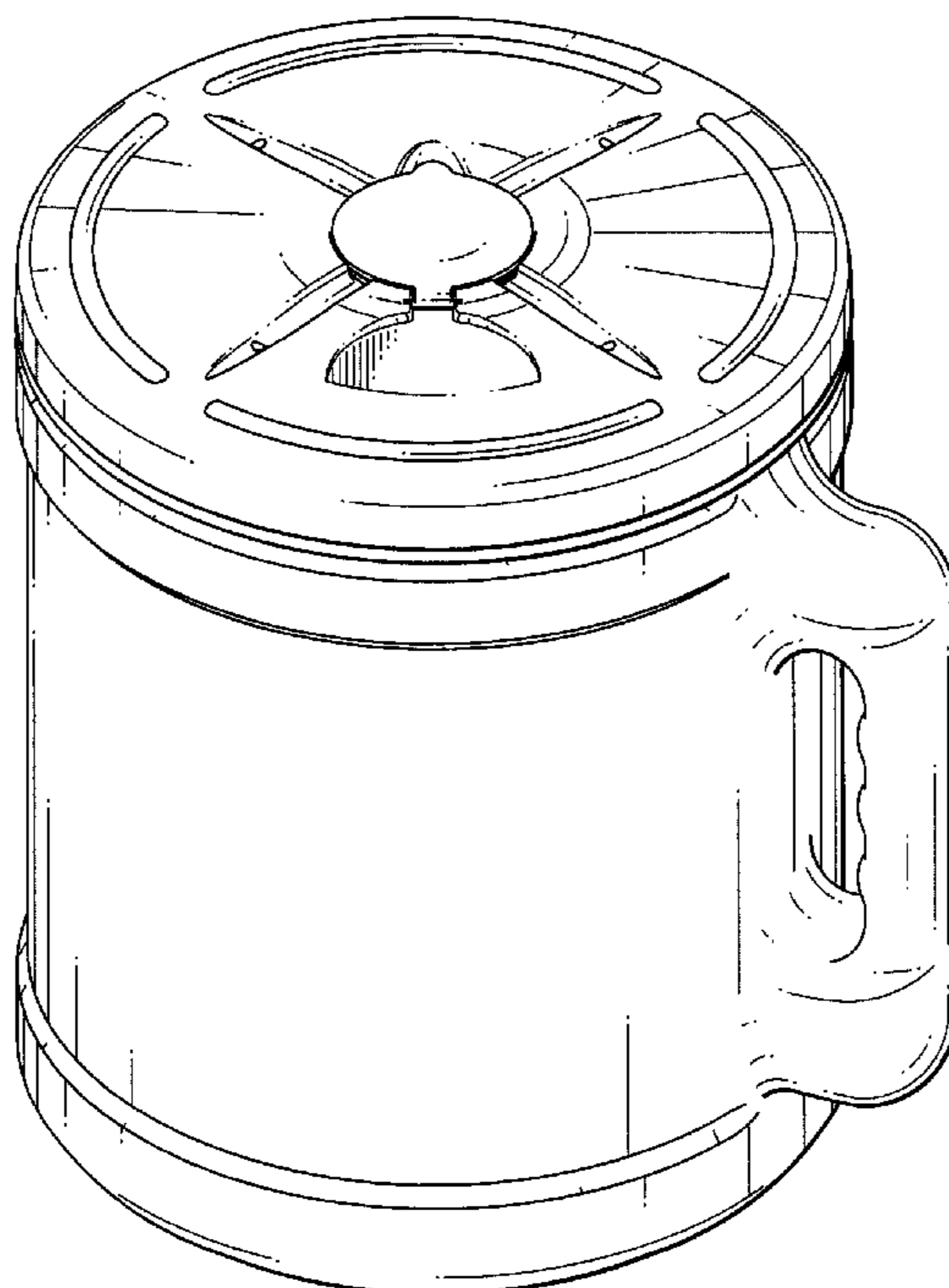
(57) **CLAIM**

I claim the ornamental design for the towel dispenser, as
shown and described.

DESCRIPTION

FIG. 1 is a perspective taken from the front and top of the
towel dispenser of my design;
FIG. 2 is a front view of the towel dispenser;
FIG. 3 is a rear view thereof;
FIG. 4 is a left side view thereof;
FIG. 5 is a right side view thereof;
FIG. 6 is a top view thereof; and,
FIG. 7 is a bottom view thereof.

1 Claim, 7 Drawing Sheets



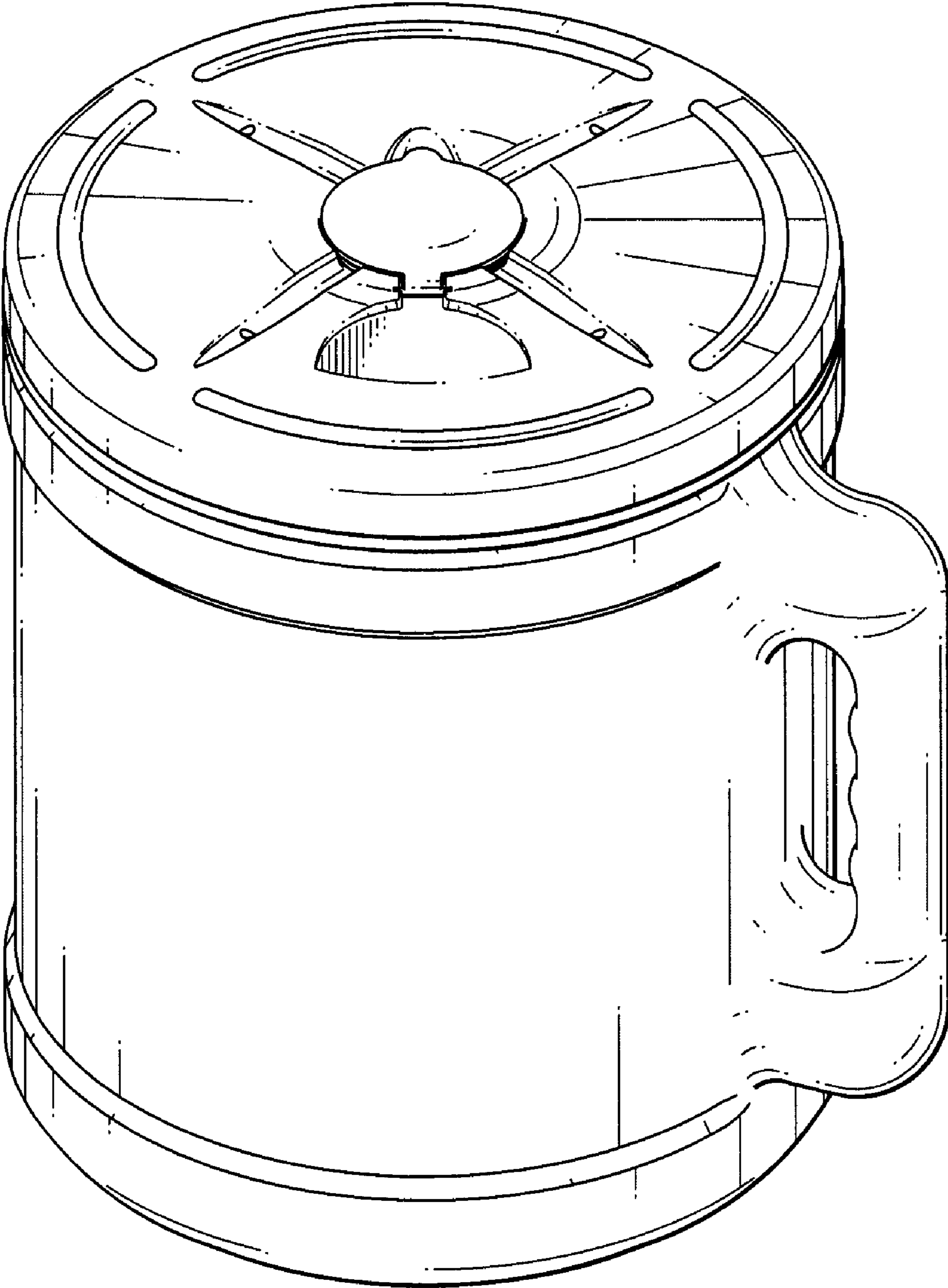


FIG. 1

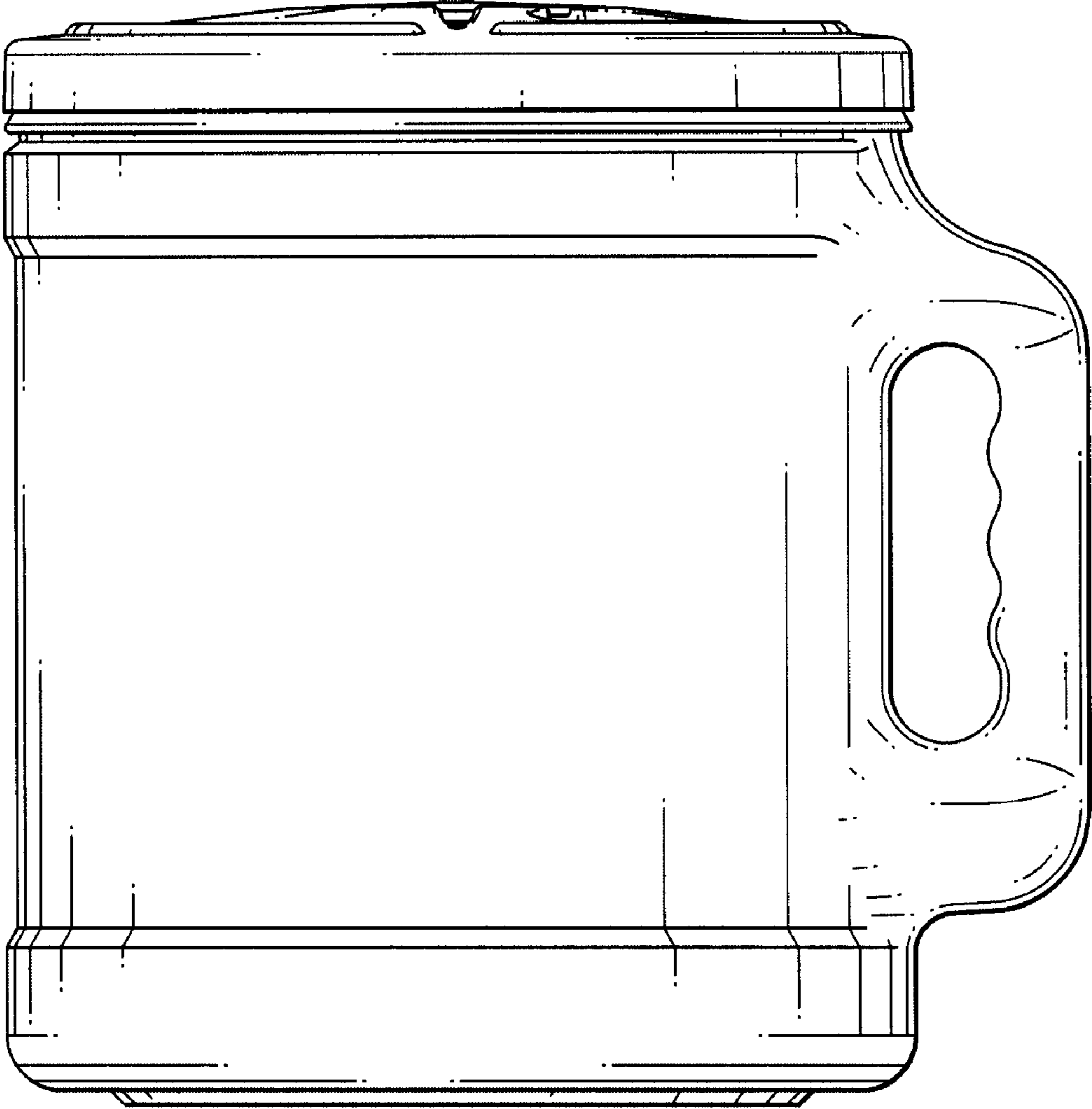


FIG. 2

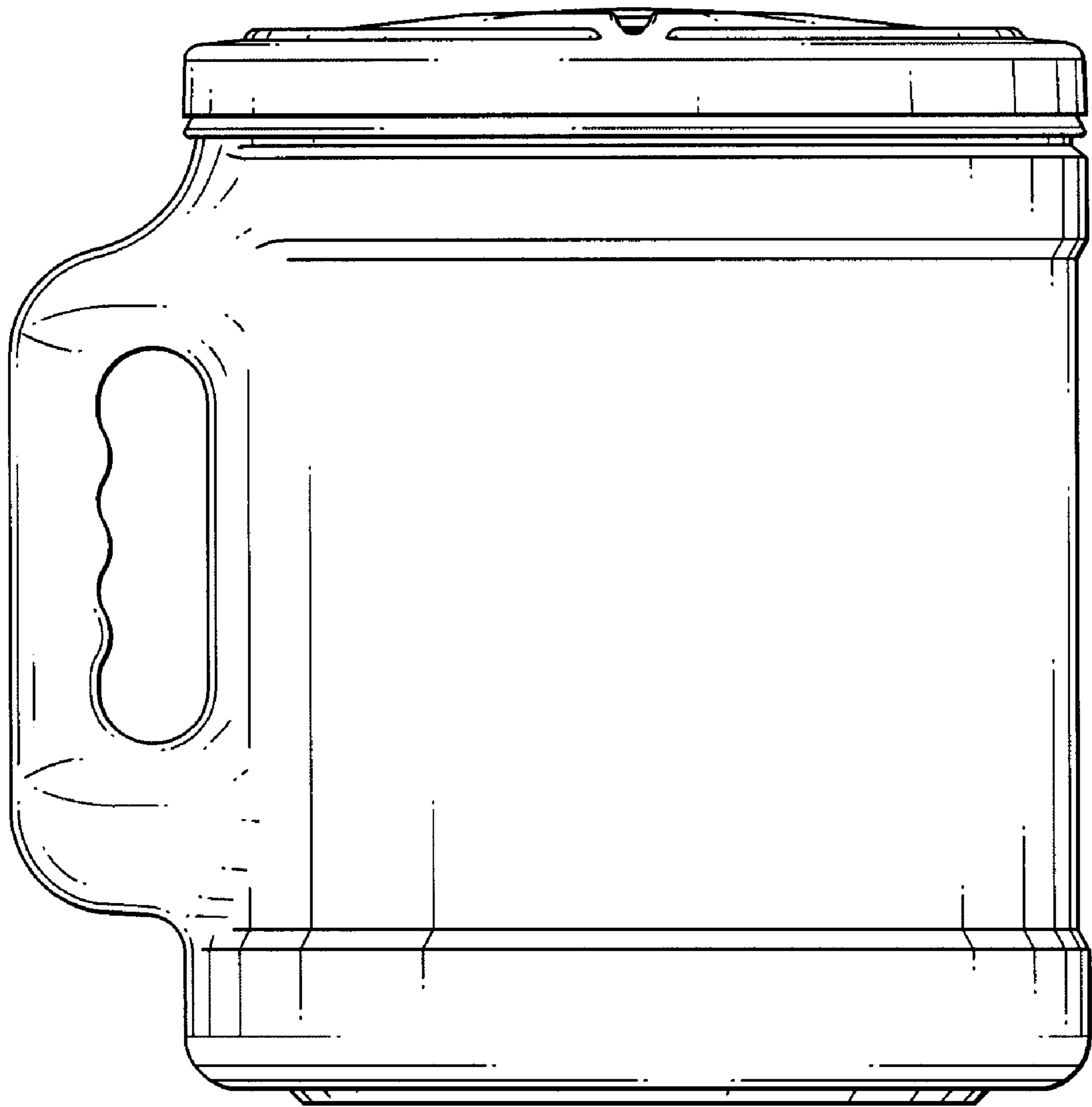


FIG. 3

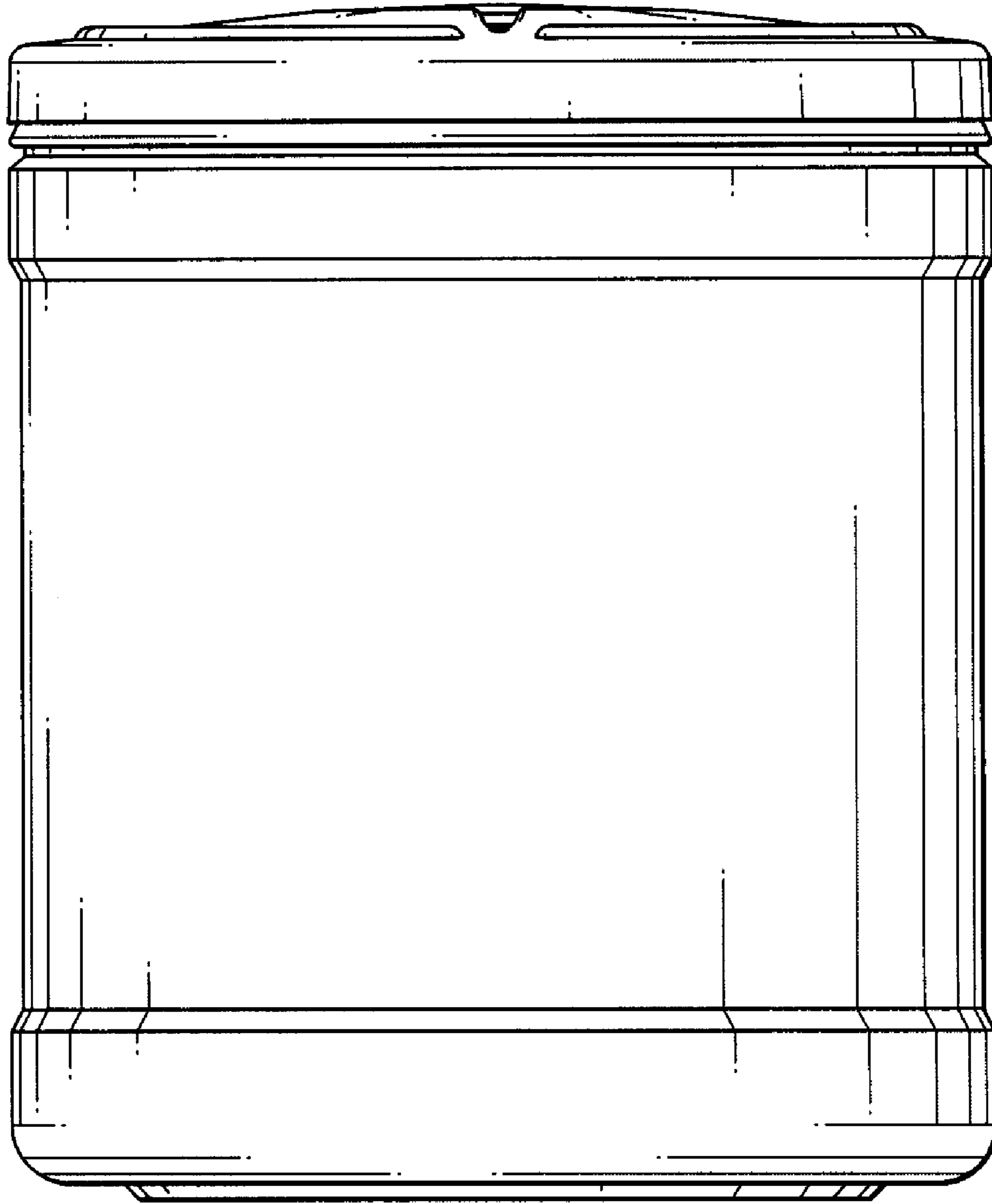


FIG. 4

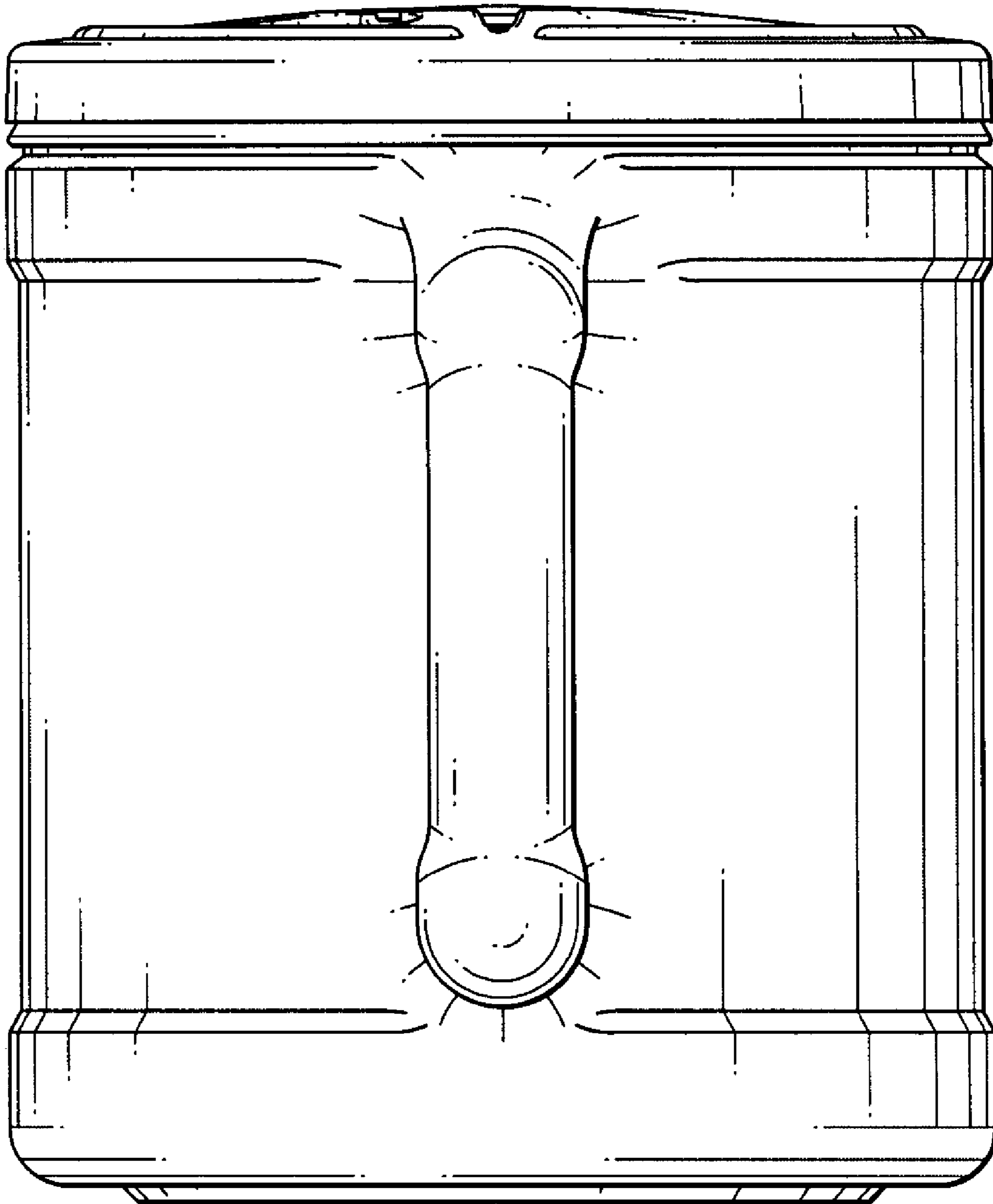


FIG. 5

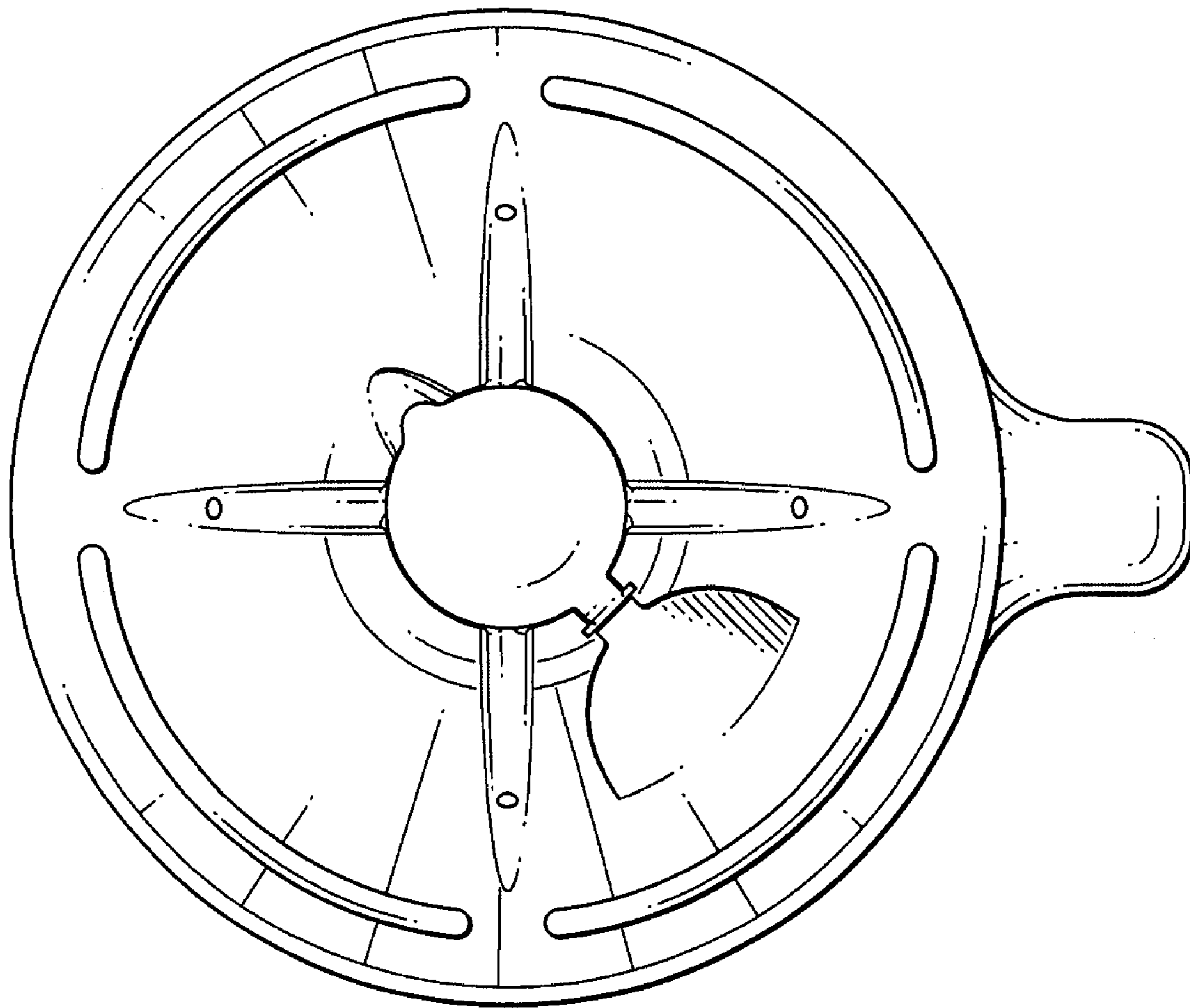


FIG. 6

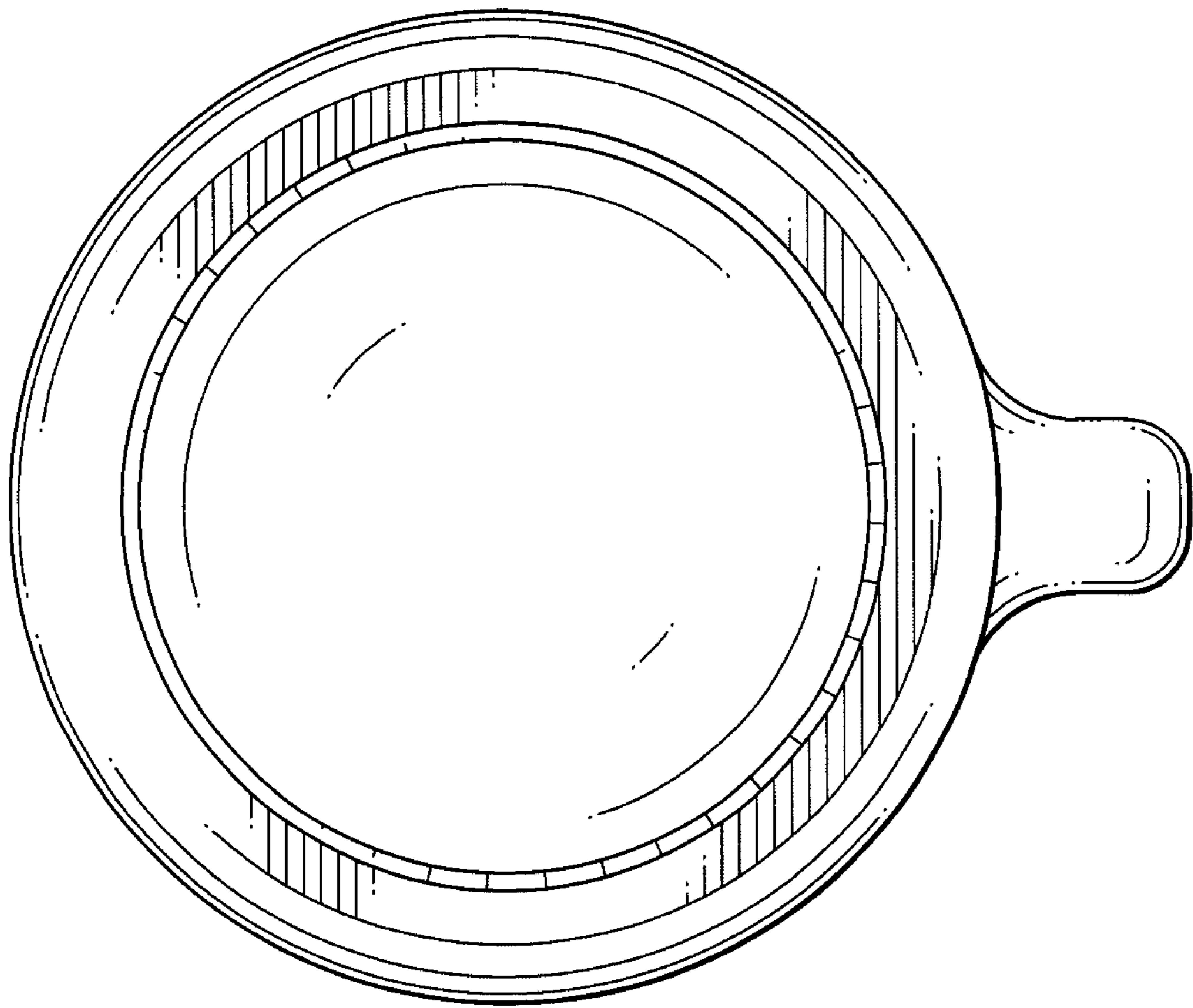


FIG. 7