



US00D522779S

(12) **United States Design Patent**  
**Ng et al.**

(10) **Patent No.: US D522,779 S**  
(45) **Date of Patent: \*\* Jun. 13, 2006**

(54) **TRIPLE SLIT BOARD SHELVING UNIT**  
(75) Inventors: **Edward Ng**, 931 Massachusetts Ave.  
Suite 604, Cambridge, MA (US) 02139;  
**Achyut Kantawala**, Cambridge, MA  
(US)

(73) Assignee: **Edward Ng**, Cambridge, MA (US)

(\*\*) Term: **14 Years**

(21) Appl. No.: **29/214,424**

(22) Filed: **Oct. 1, 2004**

(51) **LOC (8) Cl.** ..... **06-06**

(52) **U.S. Cl.** ..... **D6/511**

(58) **Field of Classification Search** ..... D6/460,  
D6/461, 468, 474, 477-479, 571, 574; 108/11,  
108/65, 137, 59, 91, 92, 96; 211/42, 85, 87.01,  
211/90.01, 107, 111, 119.003, 134, 186, 153,  
211/189, 195, 201, 175

See application file for complete search history.

(56) **References Cited**

**U.S. PATENT DOCUMENTS**

D208,921 S \* 10/1967 Tapert ..... D6/473  
3,812,977 A \* 5/1974 Glassman ..... 211/189  
4,153,311 A \* 5/1979 Takahashi ..... 312/107  
4,247,011 A \* 1/1981 Walter ..... 211/194  
4,562,776 A \* 1/1986 Miranda ..... 108/190

D312,362 S \* 11/1990 Wightman ..... D7/701  
5,012,937 A \* 5/1991 Owens ..... 211/189  
D327,433 S \* 6/1992 Sewell ..... D9/456  
D333,931 S \* 3/1993 Wein ..... D6/478  
6,010,015 A \* 1/2000 Lin ..... 211/40  
6,174,116 B1 \* 1/2001 Brand ..... 410/140  
D459,932 S \* 7/2002 Ellwanger ..... D6/571  
6,532,878 B1 \* 3/2003 Tidemann ..... 108/186  
6,595,378 B1 \* 7/2003 Wang ..... 211/189  
6,615,999 B1 \* 9/2003 Culp ..... 211/186  
D499,278 S \* 12/2004 Dardashti ..... D6/464  
6,845,871 B1 \* 1/2005 Culp ..... 211/186  
2003/0066814 A1 \* 4/2003 Wang ..... 211/189

\* cited by examiner

*Primary Examiner*—Cathron C. Brooks

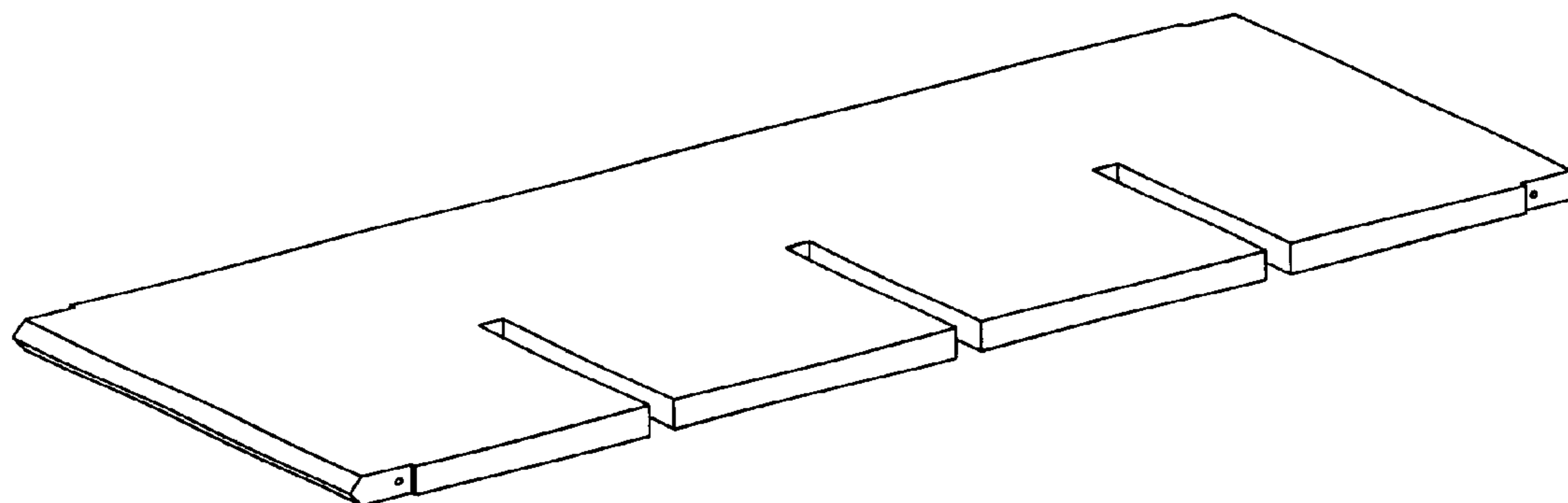
(57) **CLAIM**

The ornamental design for a “triple slit board shelving unit”,  
as shown and described.

**DESCRIPTION**

FIG. 1 is a front Perspective view of the triple slit board  
shelving unit;  
FIG. 2 is a rear Perspective view thereof;  
FIG. 3 is a top Plan view thereof; bottom view is mirror of  
top view  
FIG. 4 is a rear Elevational view thereof; and,  
FIG. 5 is a front Elevational view thereof.

**1 Claim, 2 Drawing Sheets**



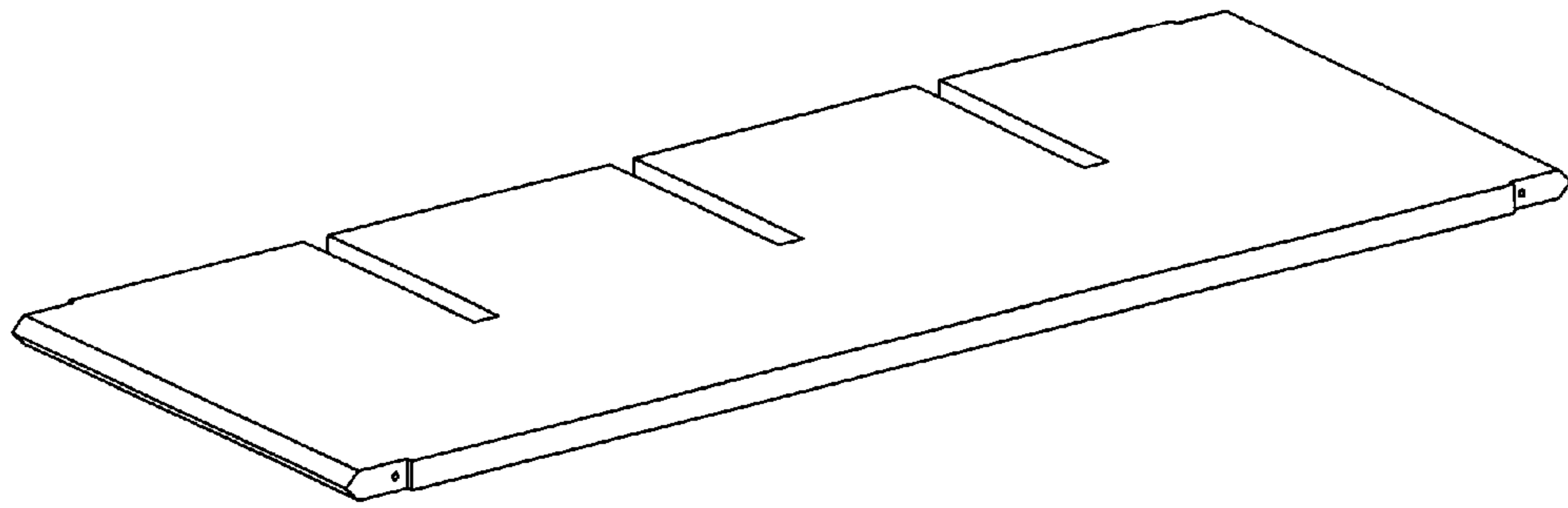


Fig. 1

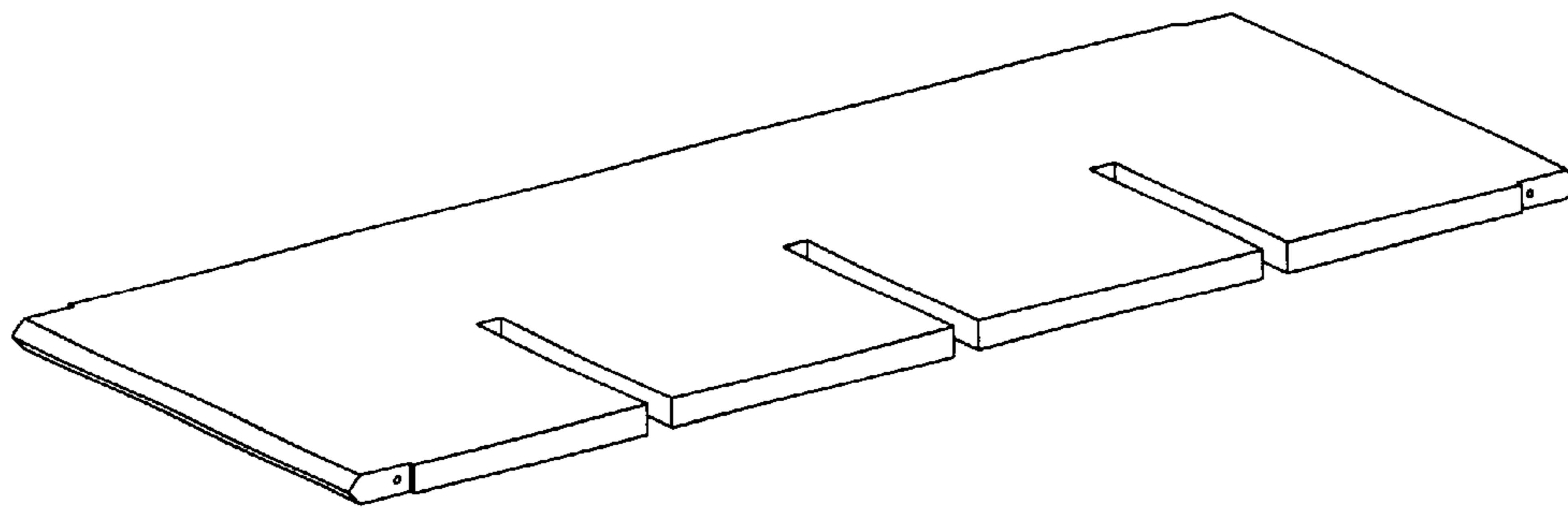


Fig. 2

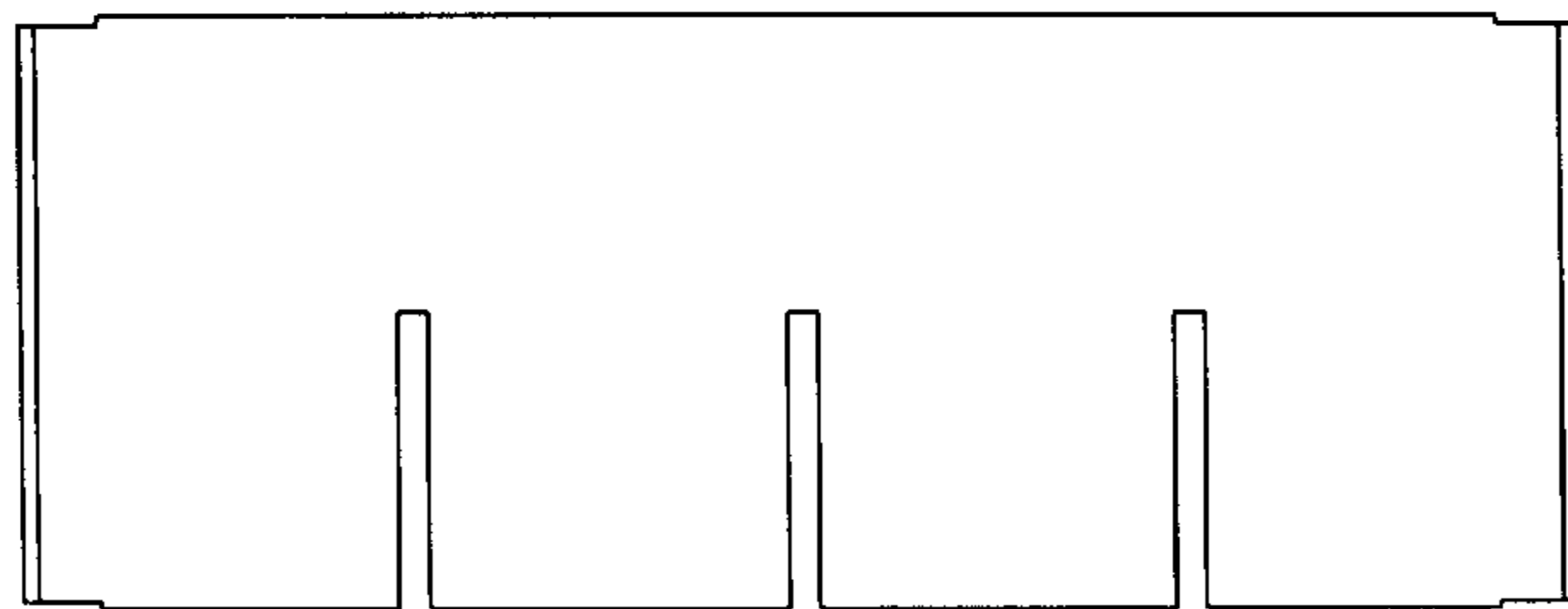


Fig. 3

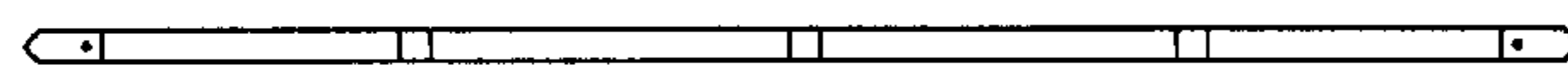


Fig. 4

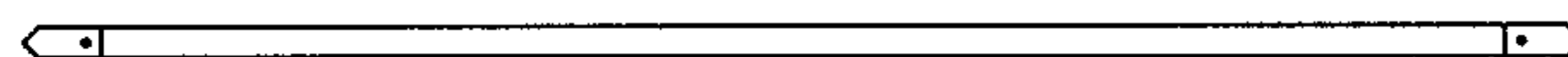


Fig. 5