

US00D522774S

(12) **United States Design Patent**
Sagol

(10) **Patent No.:** **US D522,774 S**
(45) **Date of Patent:** **** Jun. 13, 2006**

(54) **ROLLING SHOE ORGANIZER**
(75) Inventor: **Sami Sagol**, Ramat Hasharon (IL)
(73) Assignee: **Keter Plastic Ltd.**, Herzelyia (IL)
(**) Term: **14 Years**

D368,187 S * 3/1996 Johnson D6/466
D486,011 S * 2/2004 Scola D6/468
D487,651 S * 3/2004 Bloch et al. D6/474

* cited by examiner

(21) Appl. No.: **29/227,643**
(22) Filed: **Apr. 14, 2005**

Primary Examiner—Cathron C. Brooks
(74) *Attorney, Agent, or Firm*—Browdy and Neimark, PLLC

(30) **Foreign Application Priority Data**

Oct. 14, 2004 (IL) 39778

(51) **LOC (8) Cl.** **06-04**
(52) **U.S. Cl.** **D6/474; D6/468**
(58) **Field of Classification Search** D6/407,
D6/629, 630, 466, 468, 464, 465, 474, 476;
312/9.1, 9.9, 9.47, 9.48, 9.51, 9.52, 9.64;
D3/254, 317, 279
See application file for complete search history.

(57) **CLAIM**

The ornamental design for a rolling shoe organizer, as shown in the drawings.

DESCRIPTION

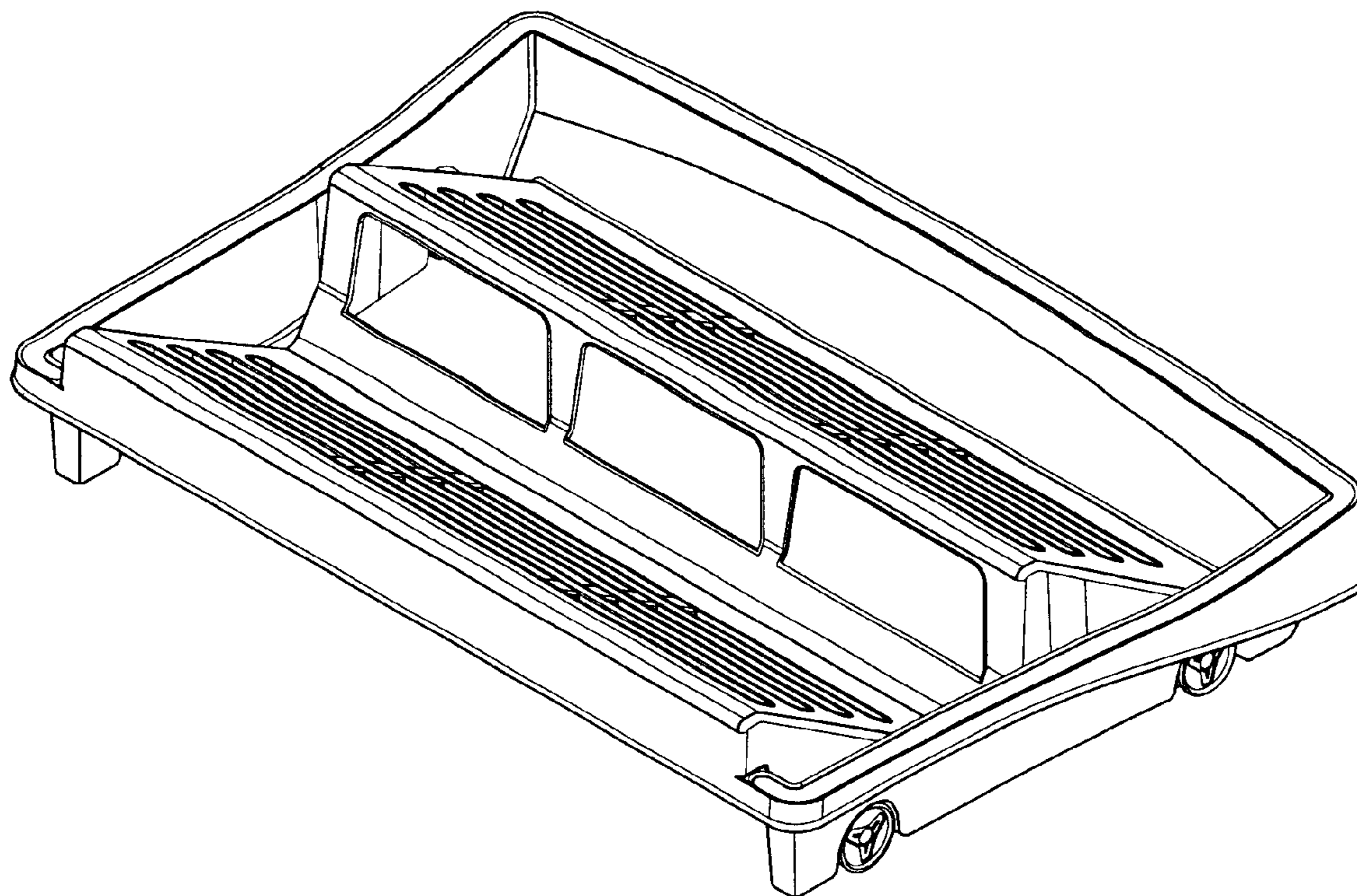
FIG. 1 is a rear view of the rolling shoe organizer;
FIG. 2 is a top view thereof;
FIG. 3 is a front view thereof;
FIG. 4 is an isometric view thereof; and,
FIG. 5 is a side view thereof.

(56) **References Cited**

U.S. PATENT DOCUMENTS

D260,455 S * 9/1981 Haswell D6/630

1 Claim, 2 Drawing Sheets



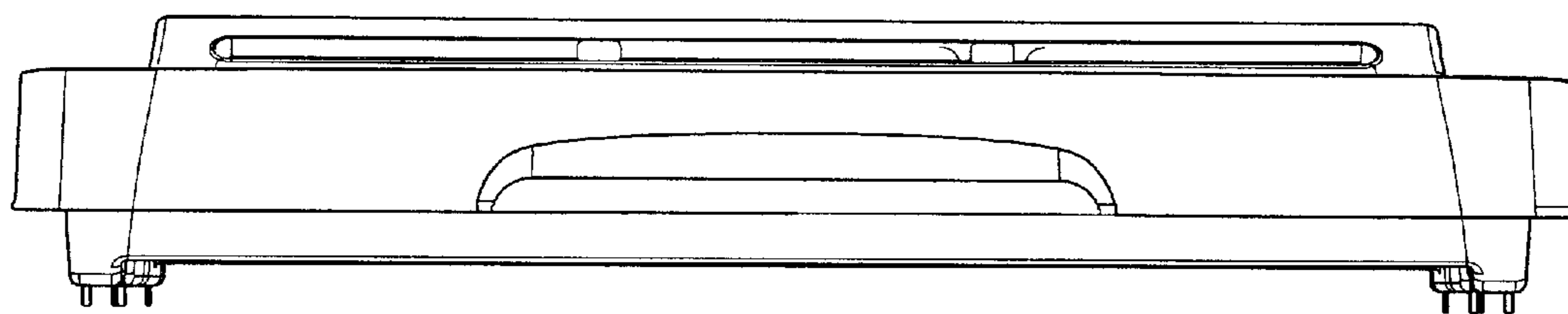


FIG. 1

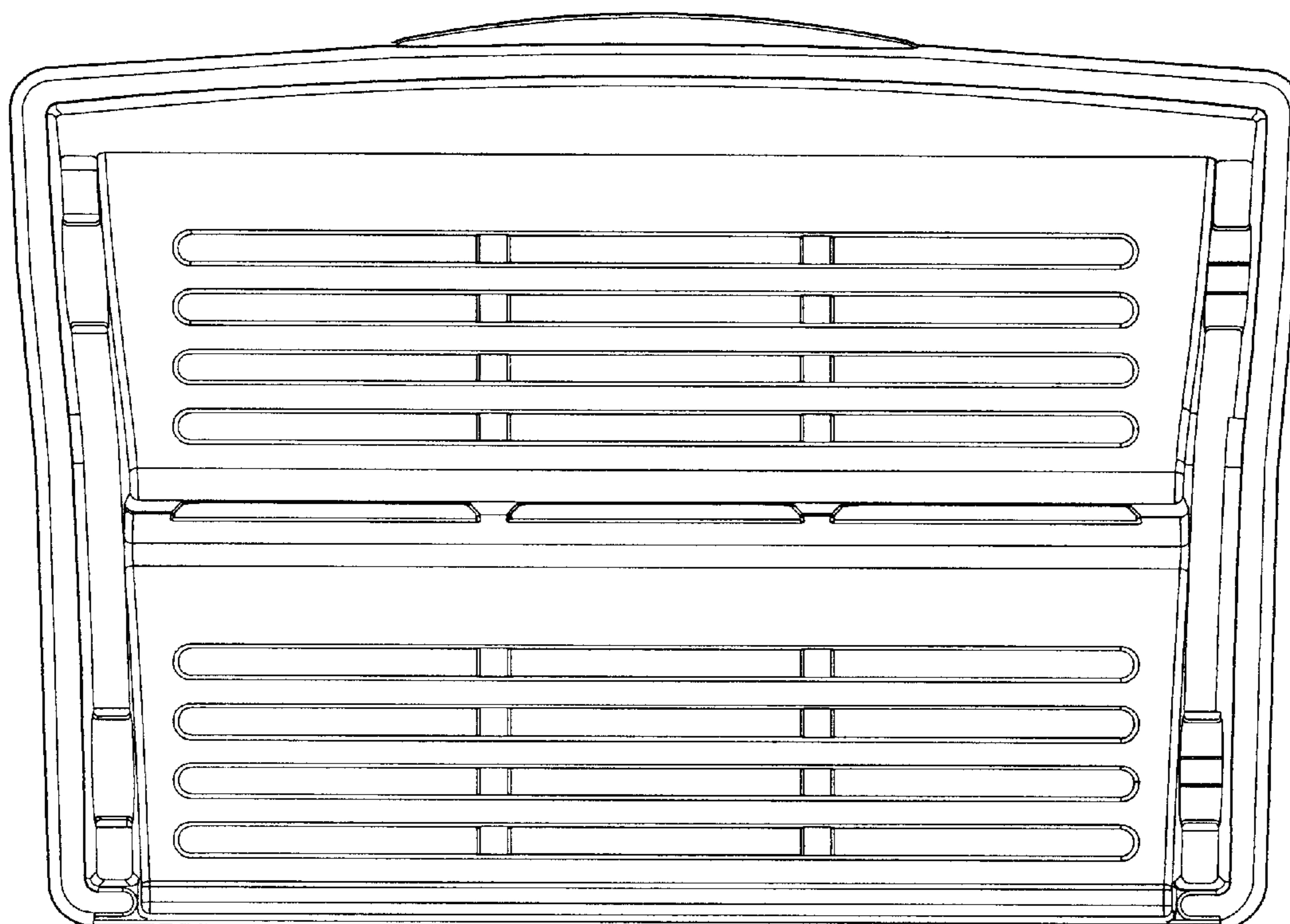


FIG. 2

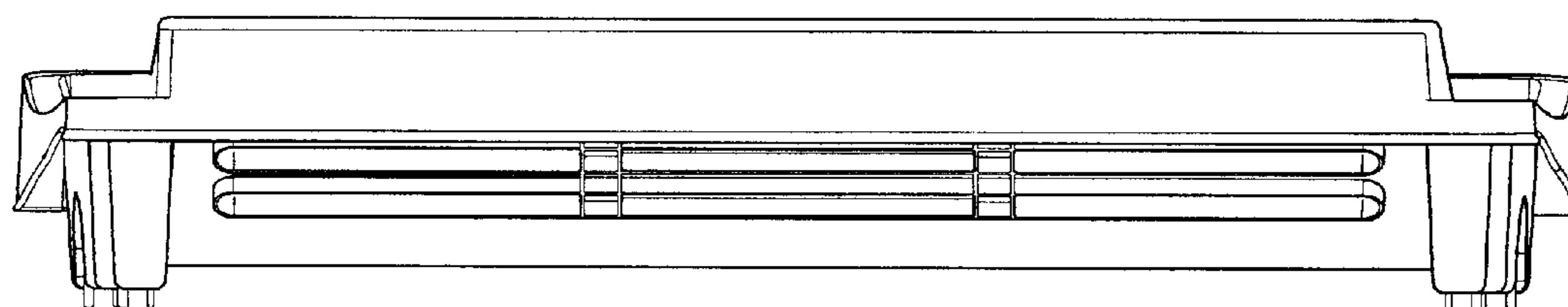


FIG. 3

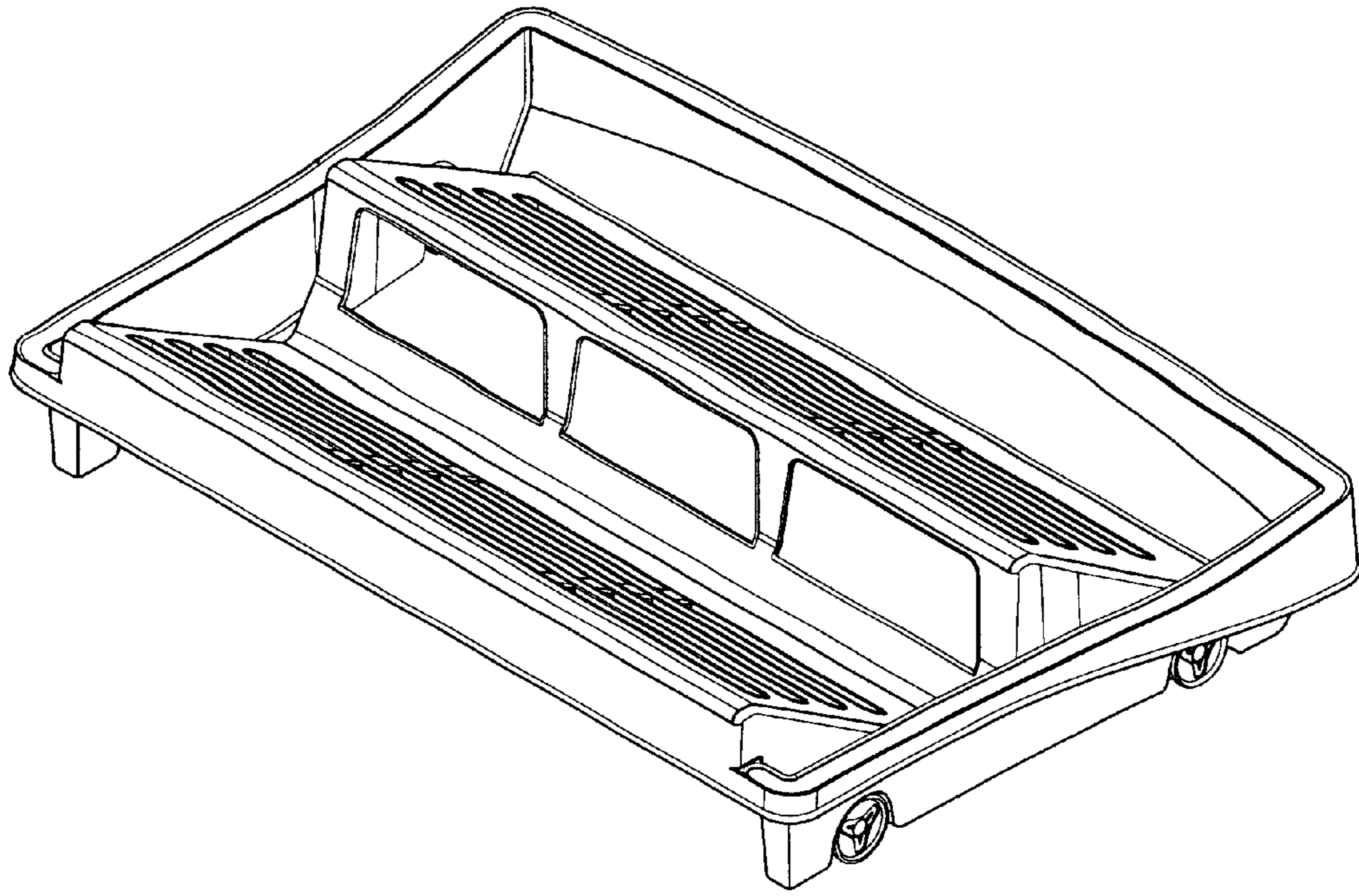


FIG. 4

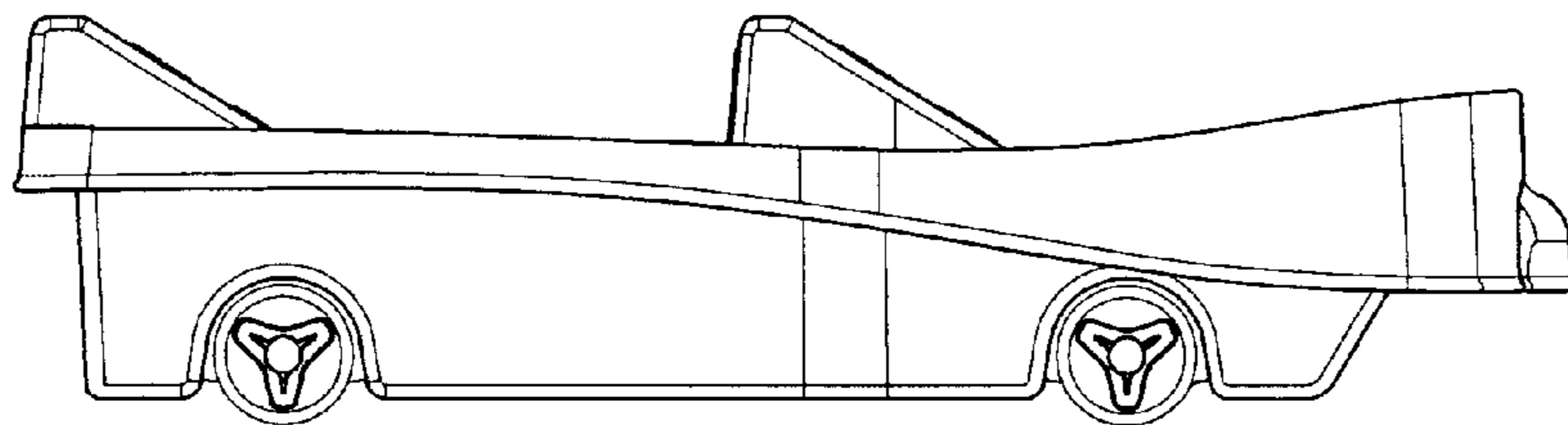


FIG. 5