



US00D522773S

(12) **United States Design Patent**  
**Becker**

(10) **Patent No.:** **US D522,773 S**  
(45) **Date of Patent:** **\*\* Jun. 13, 2006**

(54) **ENCLOSED CABINET FOR AUDIO/VIDEO COMPONENTS**

*Primary Examiner*—Cathron C. Brooks  
(74) *Attorney, Agent, or Firm*—Design IP

(75) **Inventor:** **William M. Becker**, Washington, DC (US)

(57) **CLAIM**

The ornamental design for an enclosed cabinet for audio/video components, as shown and described.

(73) **Assignee:** **Becker Designed, Inc.**, Chantilly, VA (US)

**DESCRIPTION**

(\*\*) **Term:** **14 Years**

(21) **Appl. No.:** **29/226,912**

(22) **Filed:** **Apr. 5, 2005**

(51) **LOC (8) Cl.** ..... **06-04**

(52) **U.S. Cl.** ..... **D6/470; D6/446**

(58) **Field of Classification Search** ..... D6/432,  
D6/436, 441, 444–448, 470; 312/114, 204,  
312/224, 278–279

See application file for complete search history.

FIG. 1 is a perspective view of my new design;  
FIG. 2 is a front elevational view thereof;  
FIG. 3 is a top view thereof;  
FIG. 4 is a right side elevational view thereof, the left side being a mirror image;  
FIG. 5 is a perspective view of a second embodiment of my design;  
FIG. 6 is a front elevational view thereof;  
FIG. 7 is a top view thereof;  
FIG. 8 is a right side elevational view thereof, the left side being a mirror image;  
FIG. 9 is a perspective view of a third embodiment of my design; and,  
FIG. 10 is a perspective view of a fourth embodiment my design.

(56) **References Cited**

**U.S. PATENT DOCUMENTS**

D347,753 S	*	6/1994	Pauer et al.	.....	D6/470
D446,405 S	*	8/2001	Sabo et al.	.....	D6/436
D450,488 S	*	11/2001	Stone et al.	.....	D6/479
D499,582 S	*	12/2004	McDiarmid	.....	D6/470

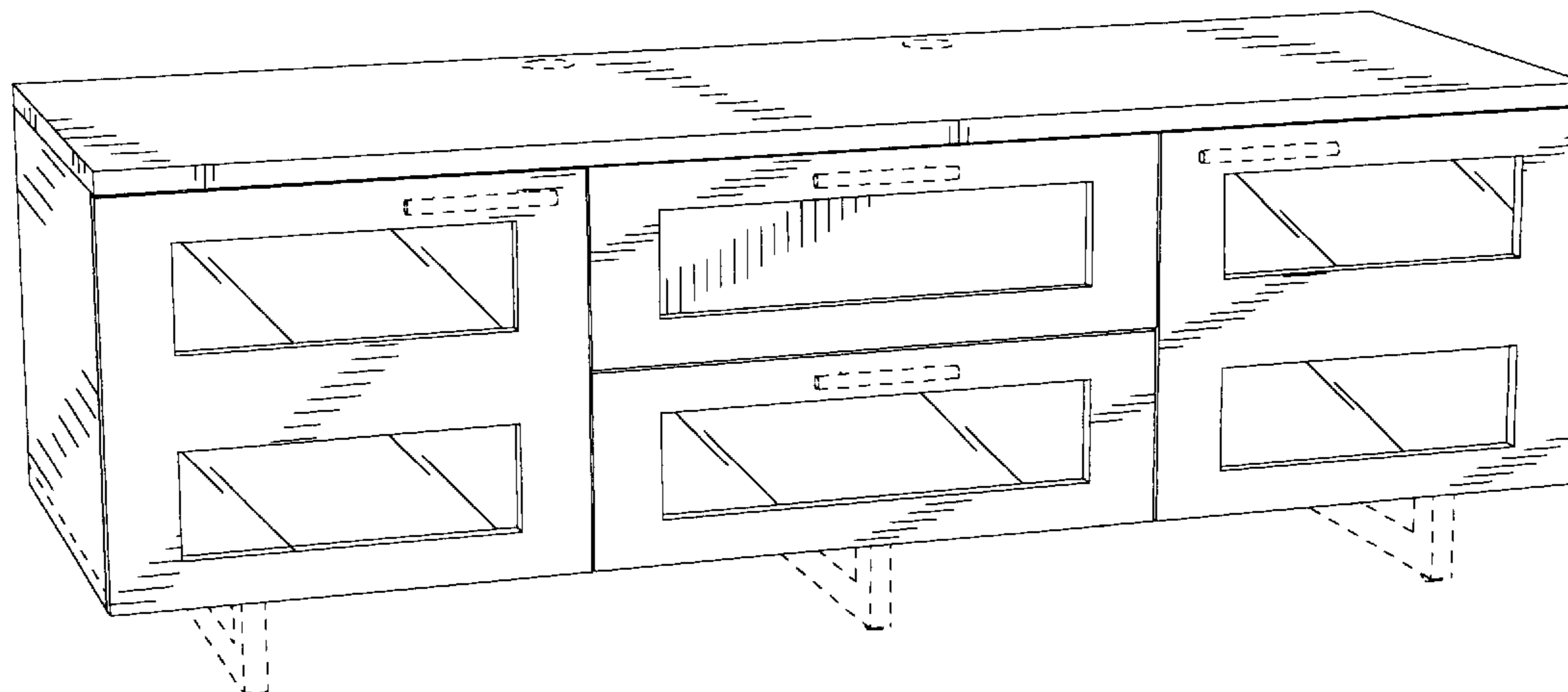
**OTHER PUBLICATIONS**

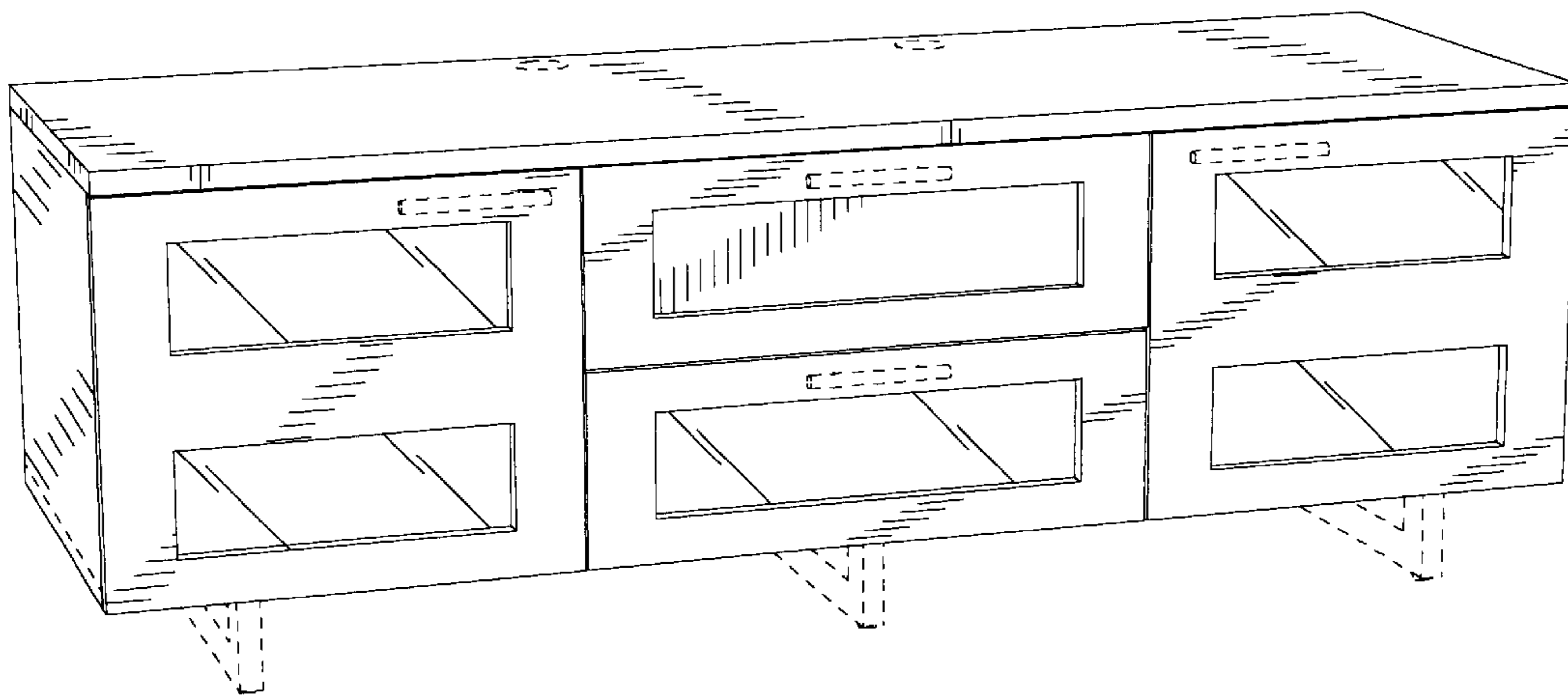
Ikea, Bonde Sideboard, p. 65, 2002.\*  
Ikea, Varde counter storage unit, p. 129, 2003.\*

\* cited by examiner

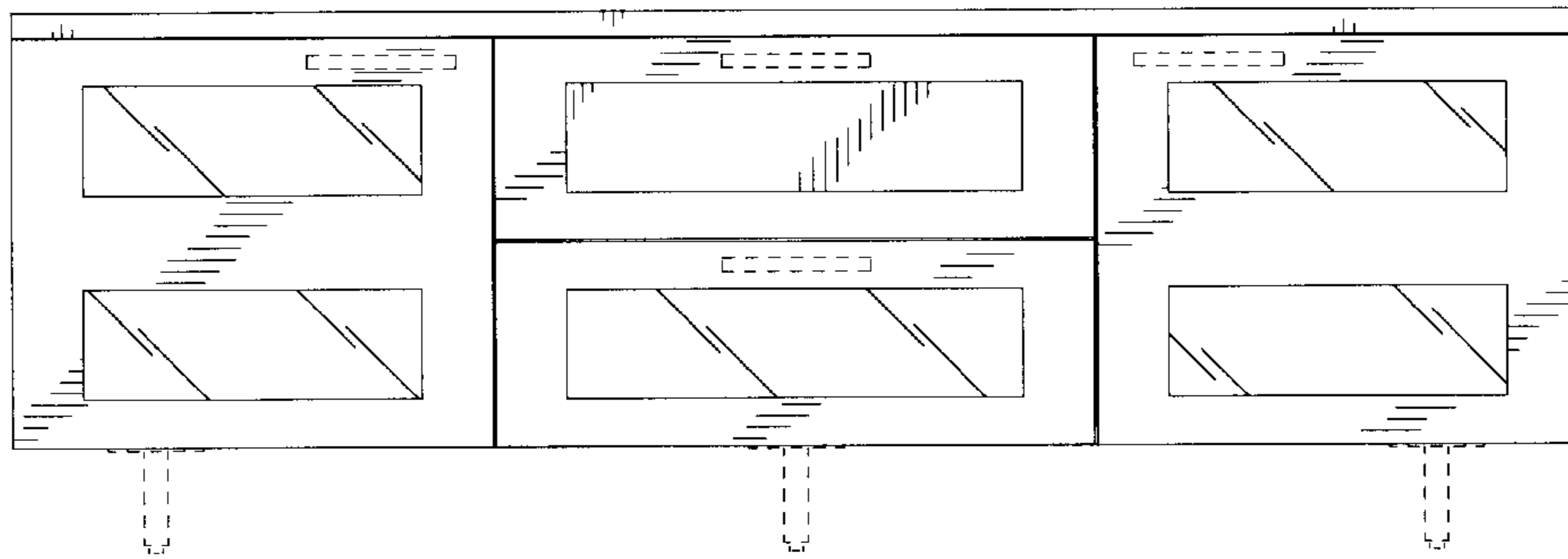
The broken lines shown in the drawings form no part of the claimed design.

**1 Claim, 8 Drawing Sheets**

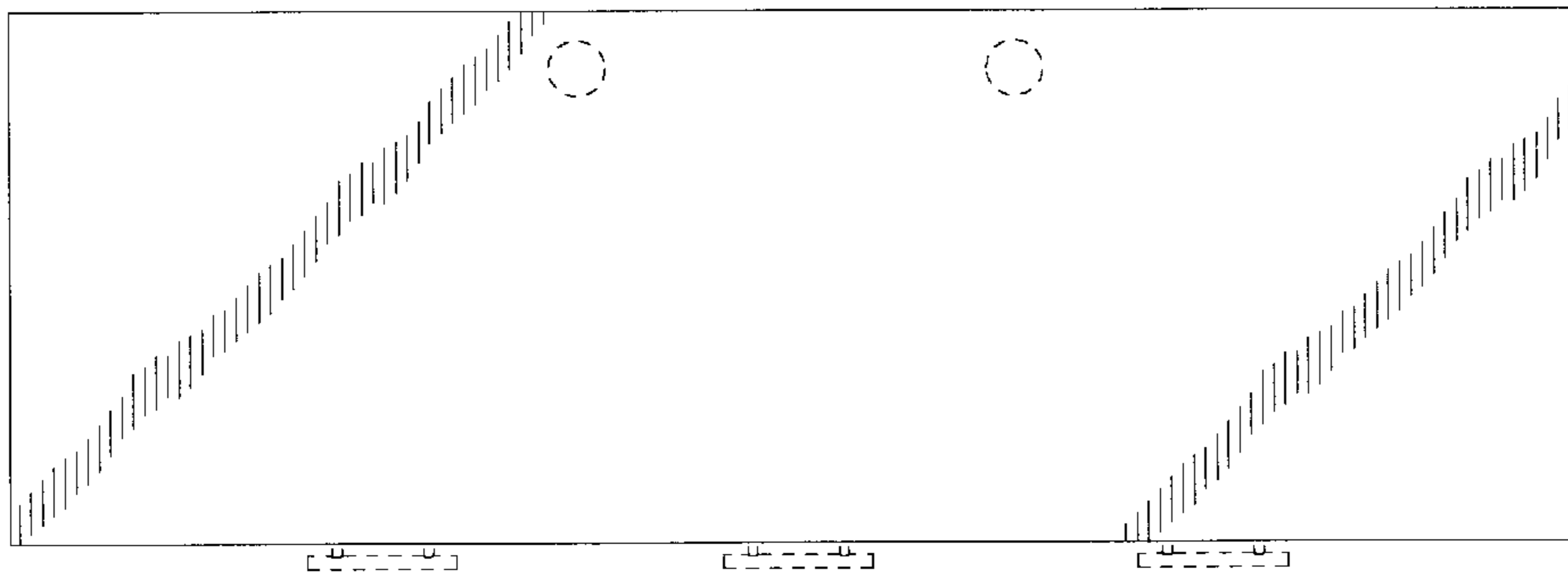




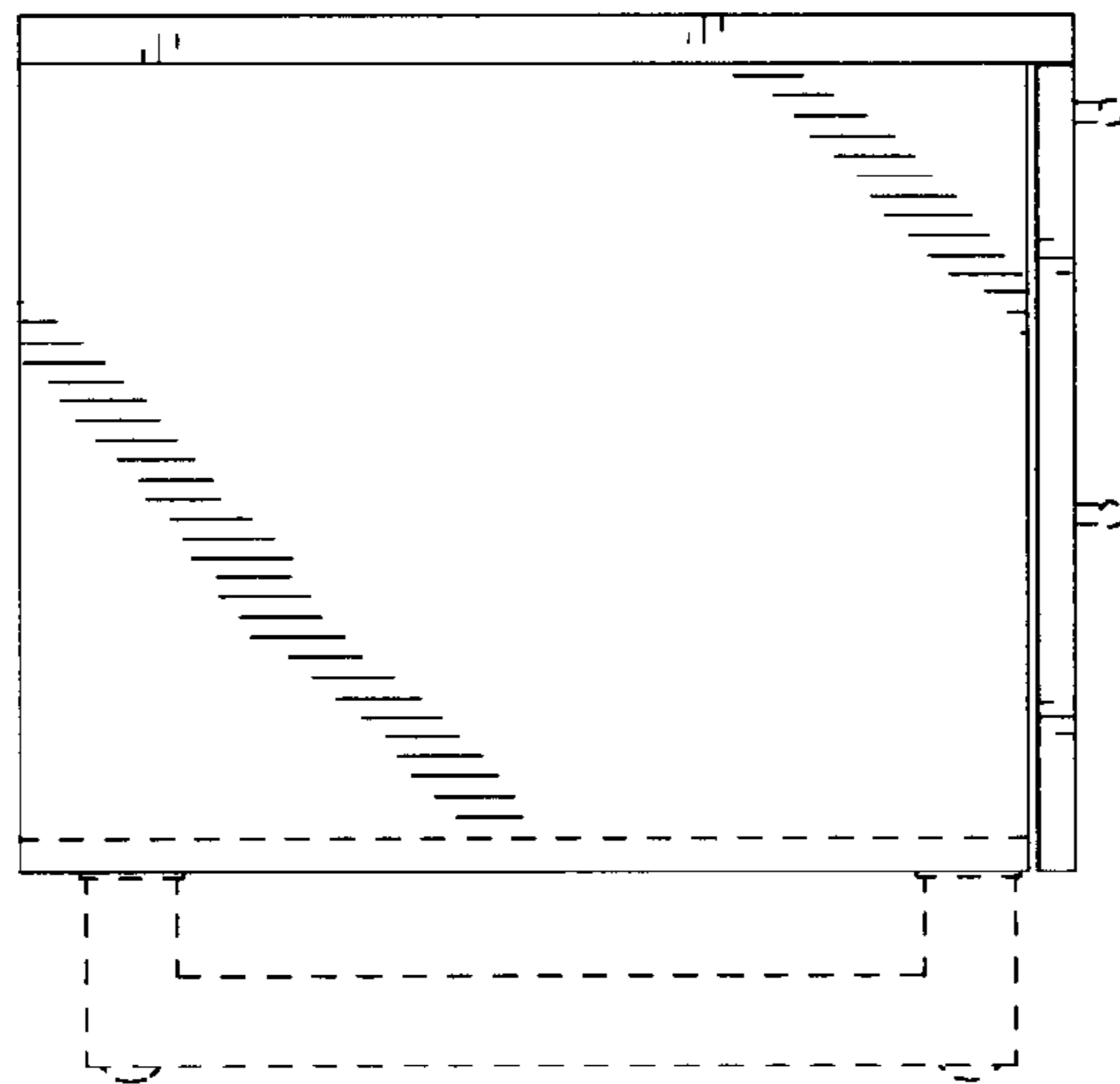
**Fig. 1**



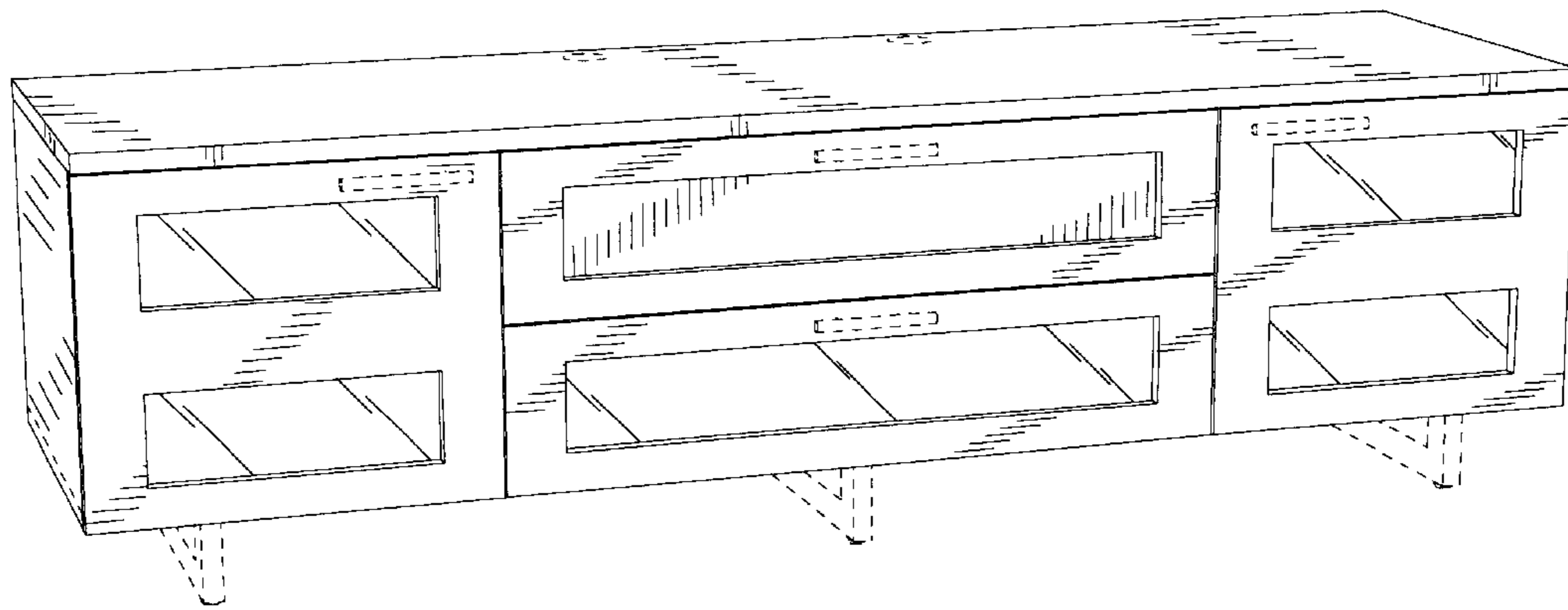
**Fig. 2**



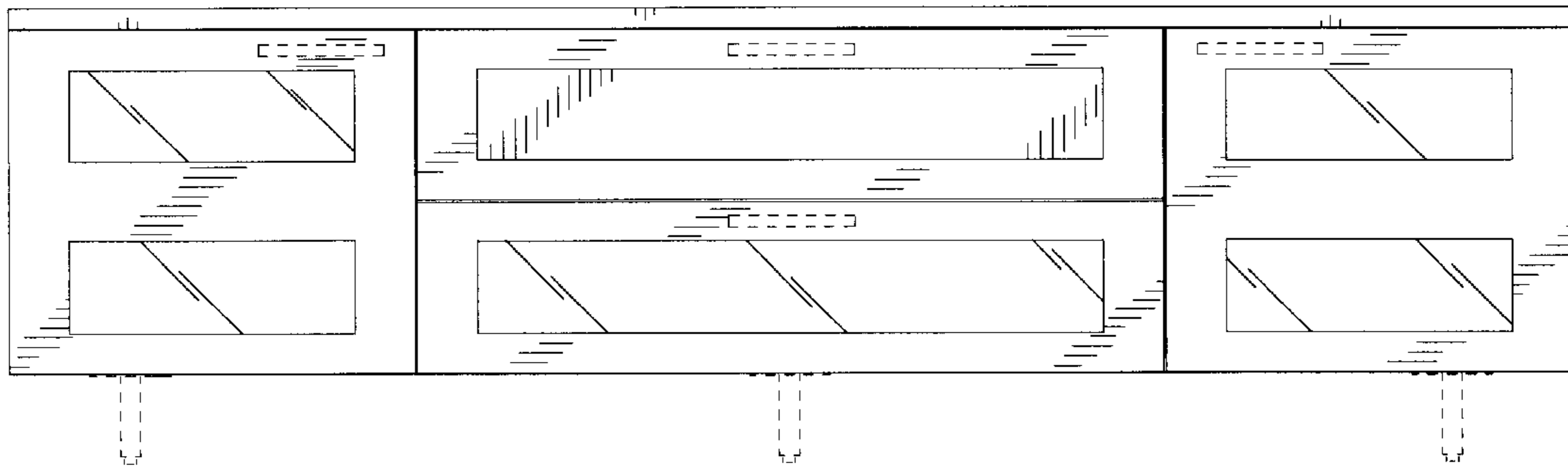
**Fig. 3**



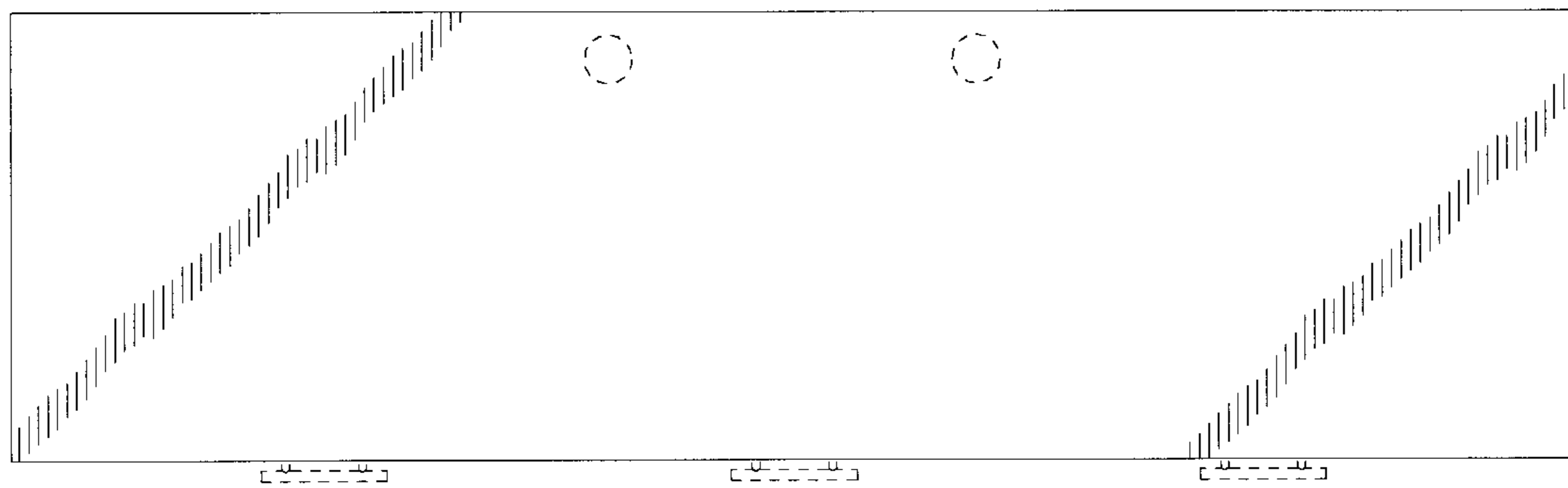
**Fig. 4**



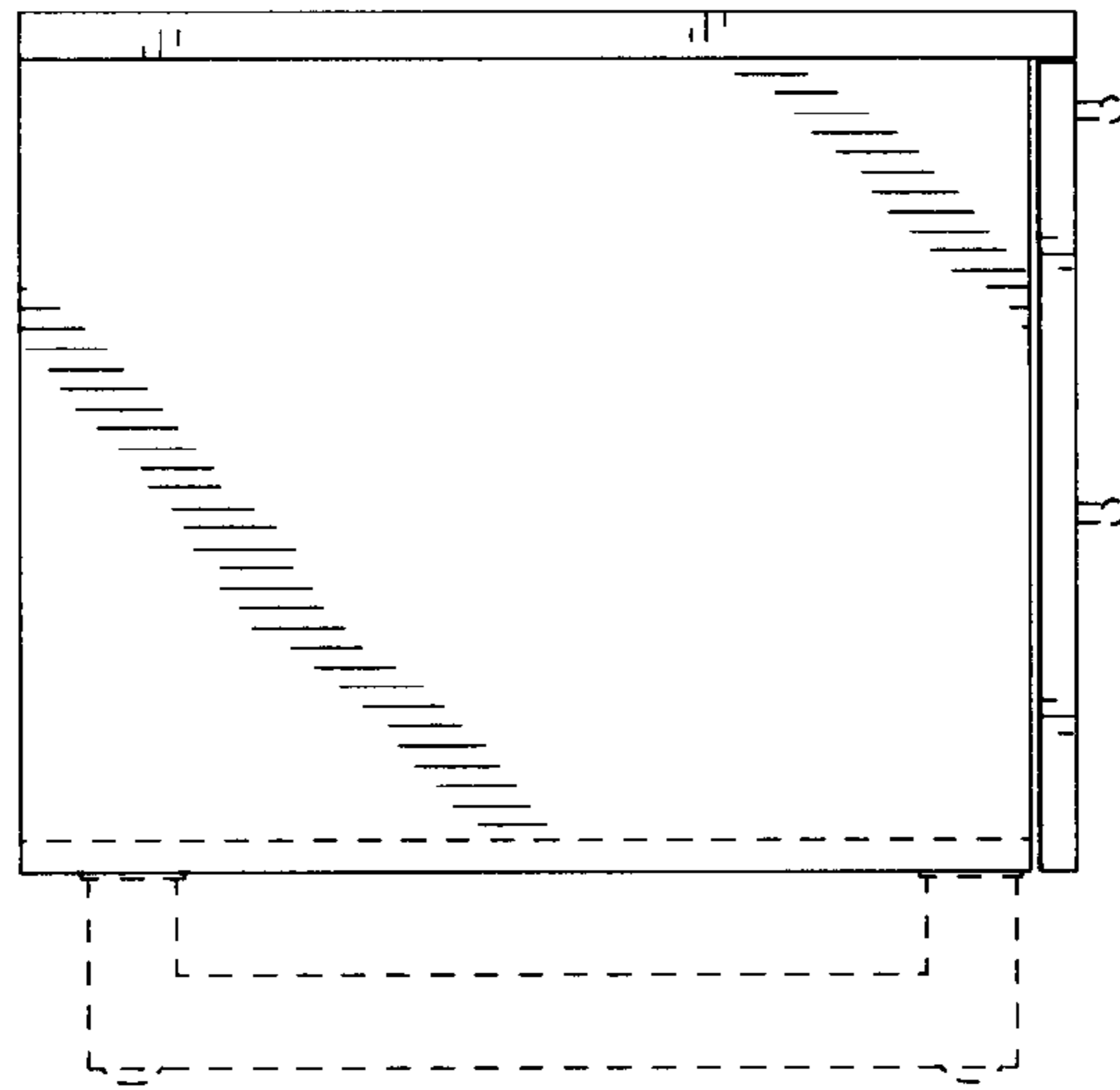
**Fig. 5**



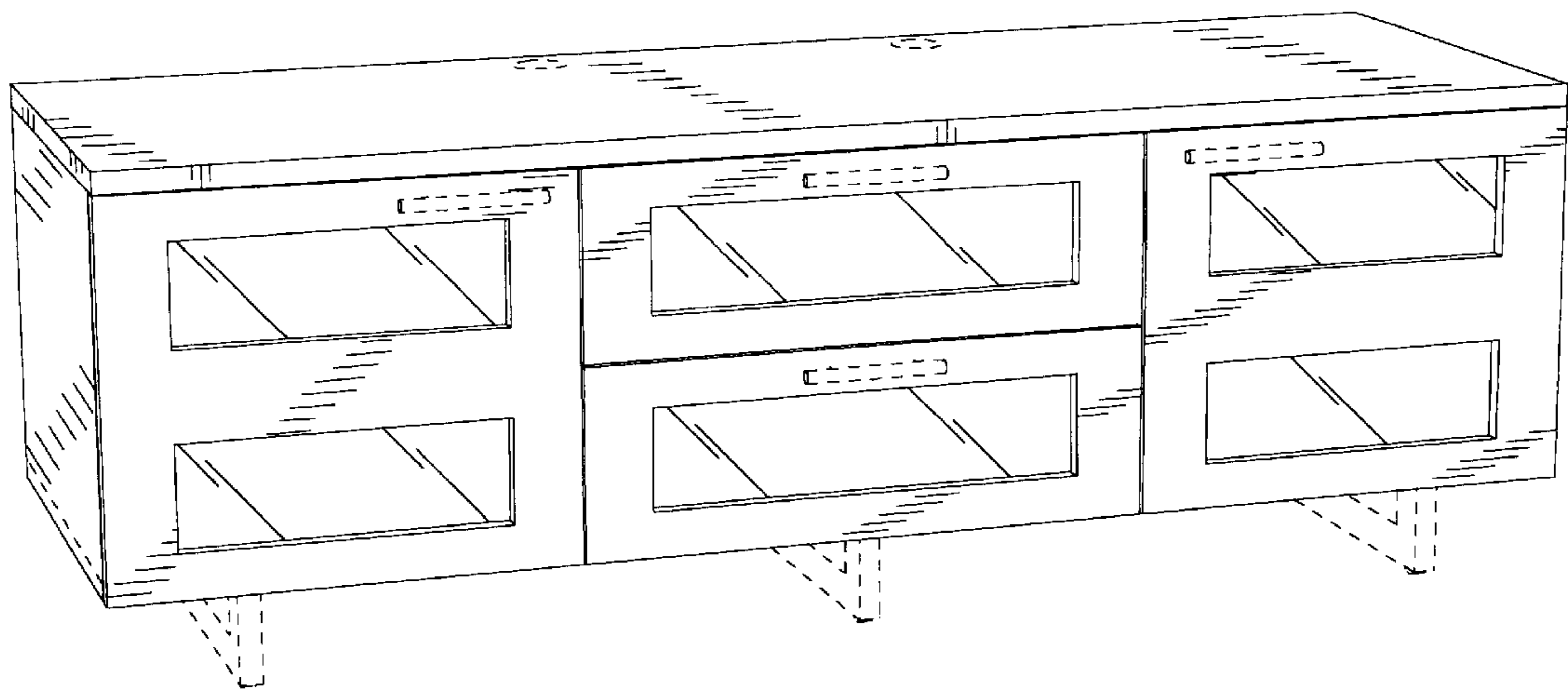
**Fig. 6**



**Fig. 7**

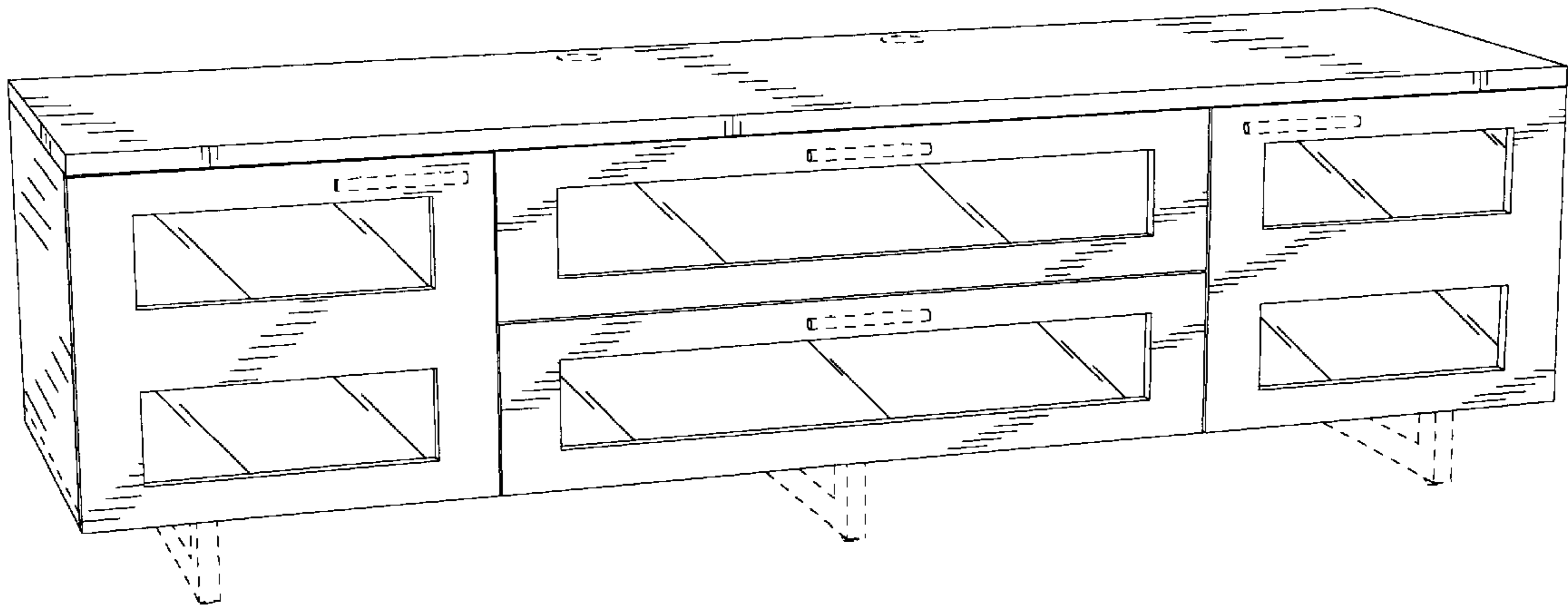


**Fig. 8**



**Fig. 9**





**Fig. 10**