

US00D522770S

(12) **United States Design Patent**  
**Easton**

(10) **Patent No.:** **US D522,770 S**

(45) **Date of Patent:** **\*\* Jun. 13, 2006**

(54) **DRESSER**

(76) Inventor: **William R. Easton**, 1513 Colonial Ave., Greensboro, NC (US) 27408

(\*\*) Term: **14 Years**

(21) Appl. No.: **29/206,216**

(22) Filed: **May 27, 2004**

(51) **LOC (8) Cl.** ..... **06-04**

(52) **U.S. Cl.** ..... **D6/436**

(58) **Field of Classification Search** ..... D6/436,  
D6/460, 461, 468, 474, 477-479; D34/14,  
D34/17, 19; 312/194, 198, 204  
See application file for complete search history.

(56) **References Cited**

**U.S. PATENT DOCUMENTS**

D103,894 S	*	3/1937	Mandl	.....	D6/436
D251,885 S	*	5/1979	Tebbe et al.	.....	D6/446
D322,184 S	*	12/1991	Prevedello et al.	.....	D6/436
D329,251 S	*	9/1992	Olswold et al.	.....	D6/436
D368,604 S	*	4/1996	Gotham et al.	.....	D6/436
D387,224 S	*	12/1997	Dunlap, Jr.	.....	D6/446
D406,705 S	*	3/1999	Zaidman et al.	.....	D6/436
D414,054 S	*	9/1999	Hurd	.....	D6/436

D429,916 S	*	8/2000	Hurd	.....	D6/436
D436,754 S	*	1/2001	Bellini	.....	D6/445
D440,071 S	*	4/2001	Hutton	.....	D6/436
D456,174 S	*	4/2002	Couture et al.	.....	D6/436
D485,451 S	*	1/2004	De Blois	.....	D6/436

\* cited by examiner

*Primary Examiner*—Cathron C. Brooks

(74) *Attorney, Agent, or Firm*—Quarles & Brady LLP

(57) **CLAIM**

The ornamental design for a dresser, as shown and described.

**DESCRIPTION**

FIG. 1 is a front, left, upper perspective view of a dresser embodying my new design;

FIG. 2 is a front elevational view thereof;

FIG. 3 is a left side elevational view thereof, the right side elevational view being a mirror image thereof;

FIG. 4 is a top plan view thereof;

FIG. 5 is a rear elevational view thereof; and,

FIG. 6 is a bottom view thereof.

The broken lines showing a tray, drawer and door handle, and legs, form no part of the claimed design.

**1 Claim, 2 Drawing Sheets**

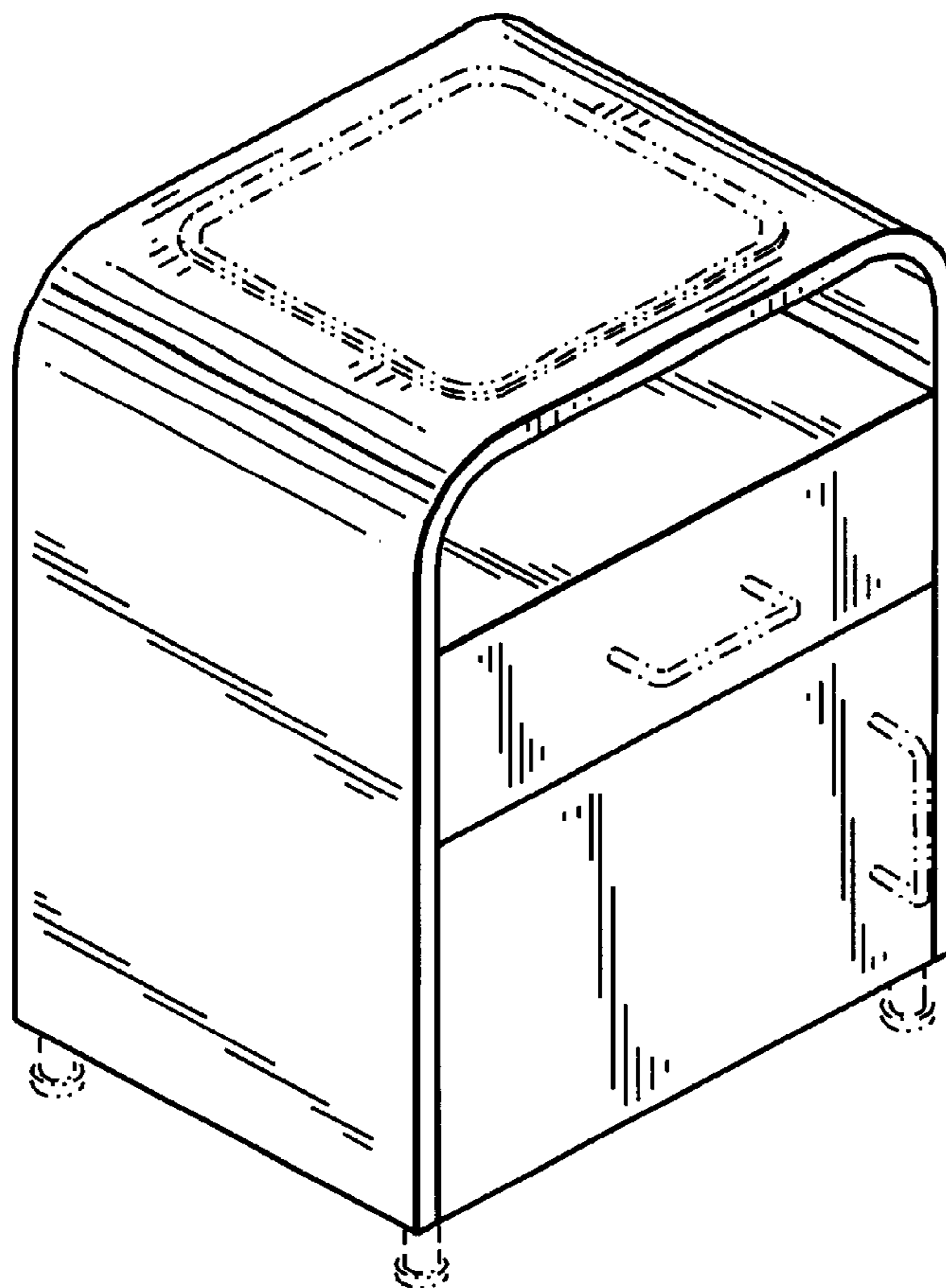


FIG. 1

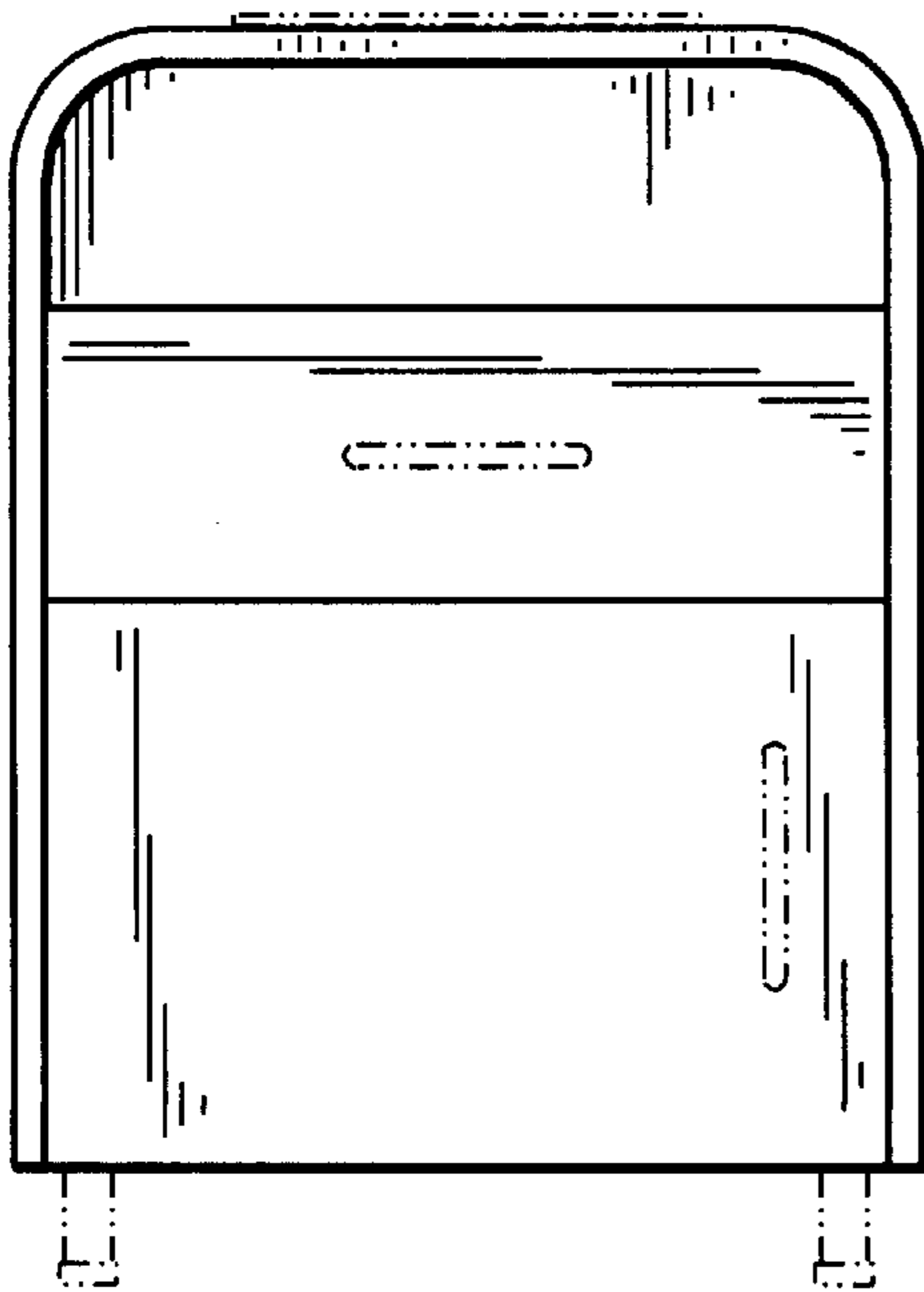
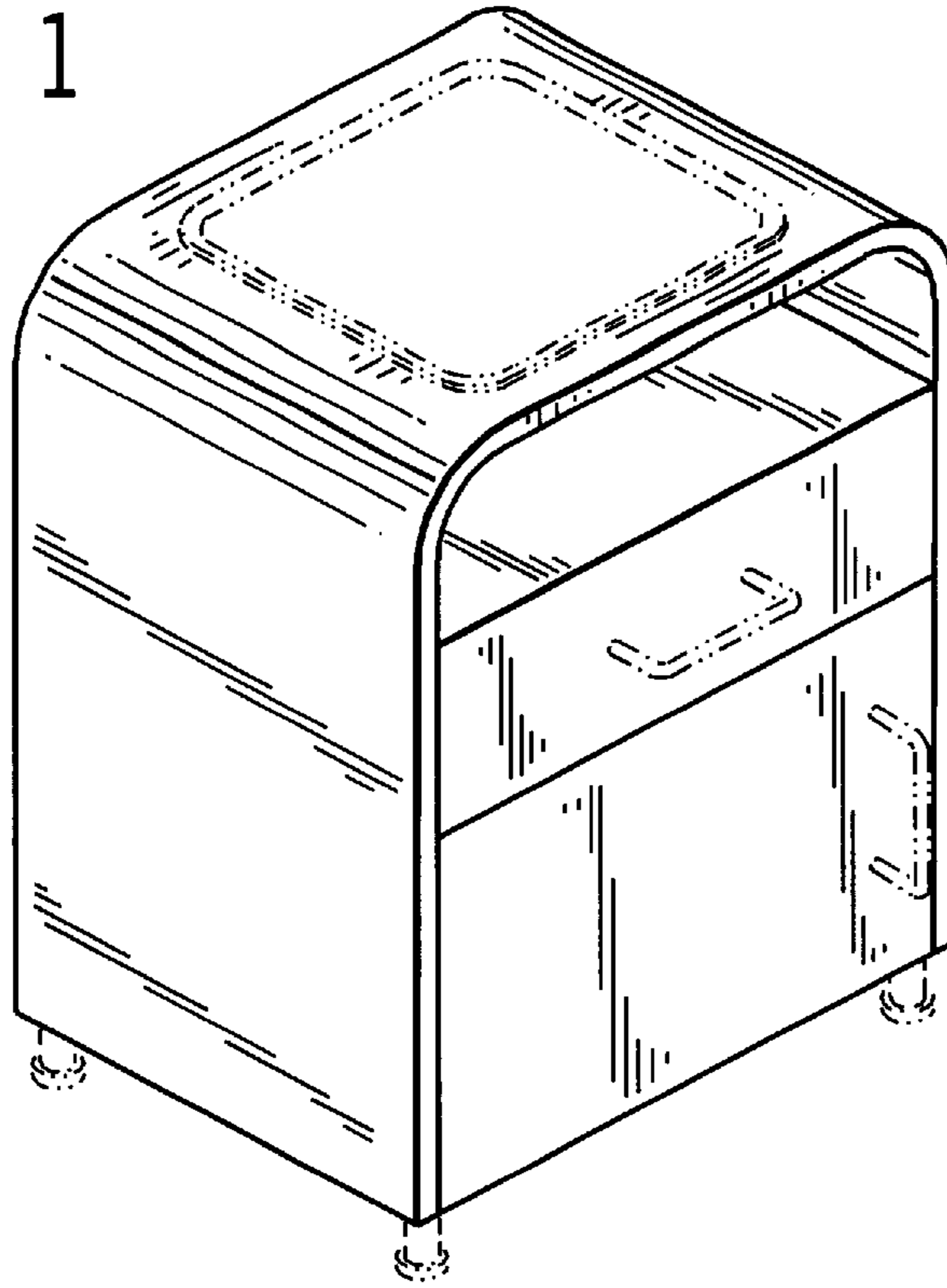


FIG. 2

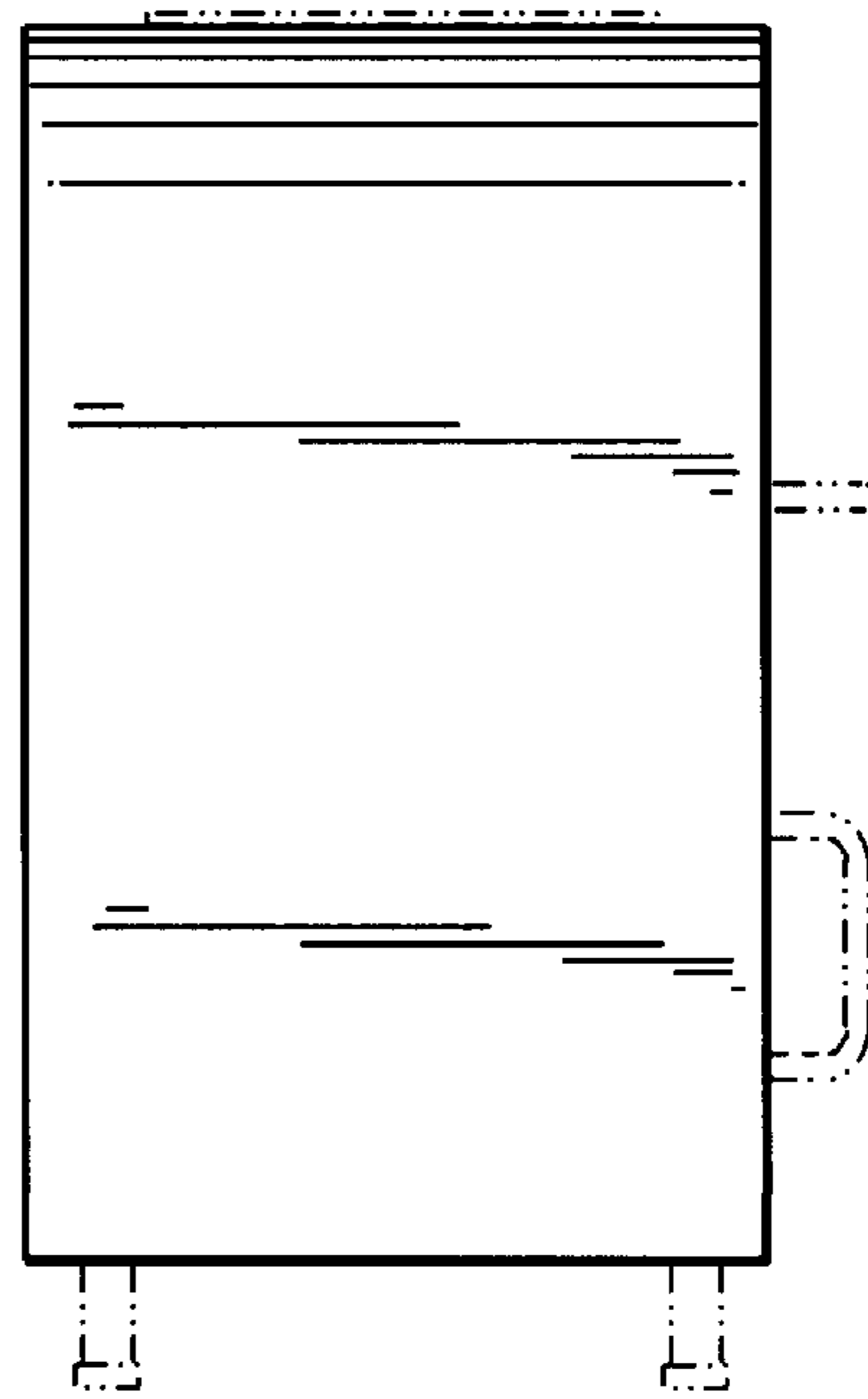


FIG. 3

FIG. 4

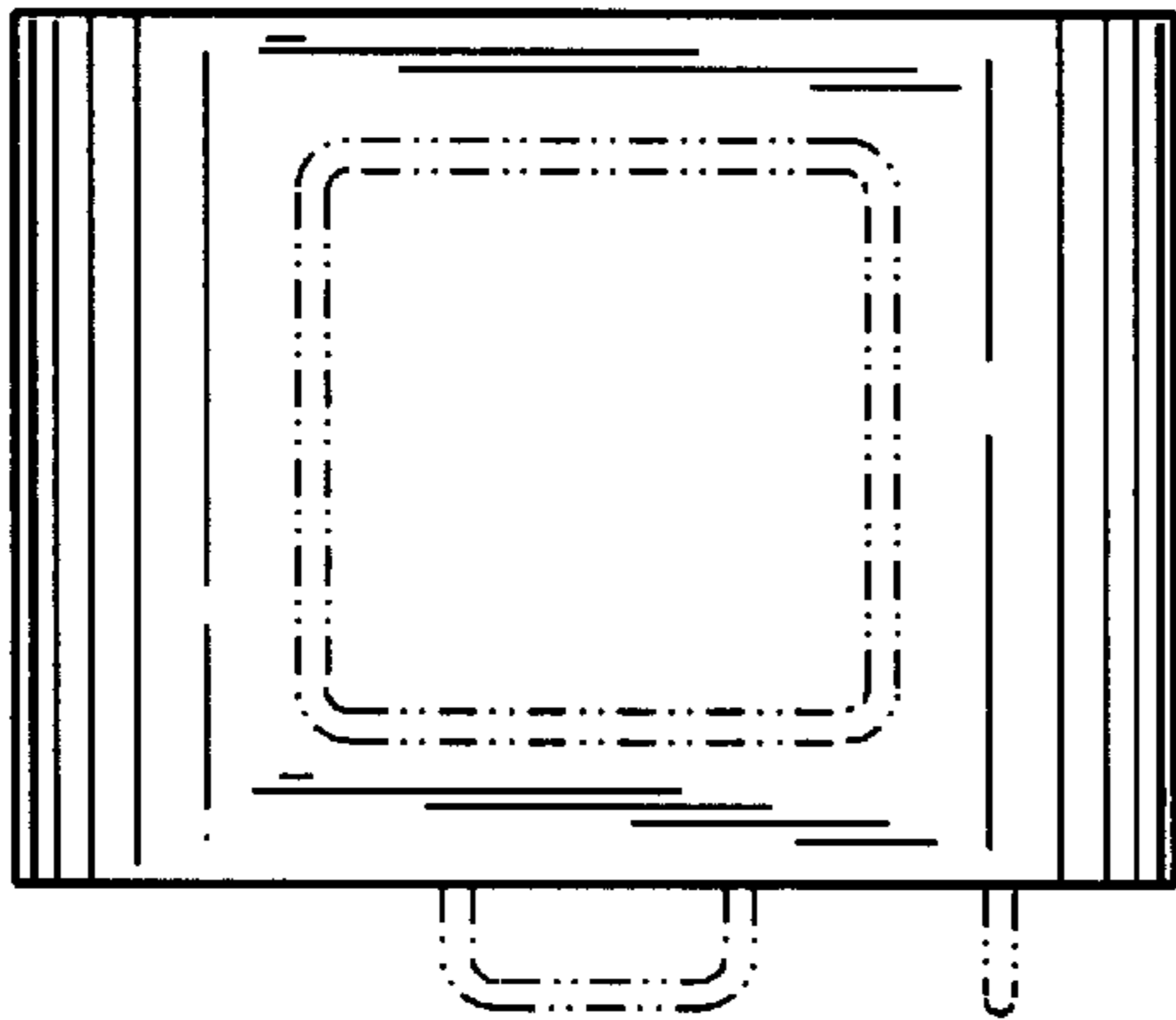


FIG. 5

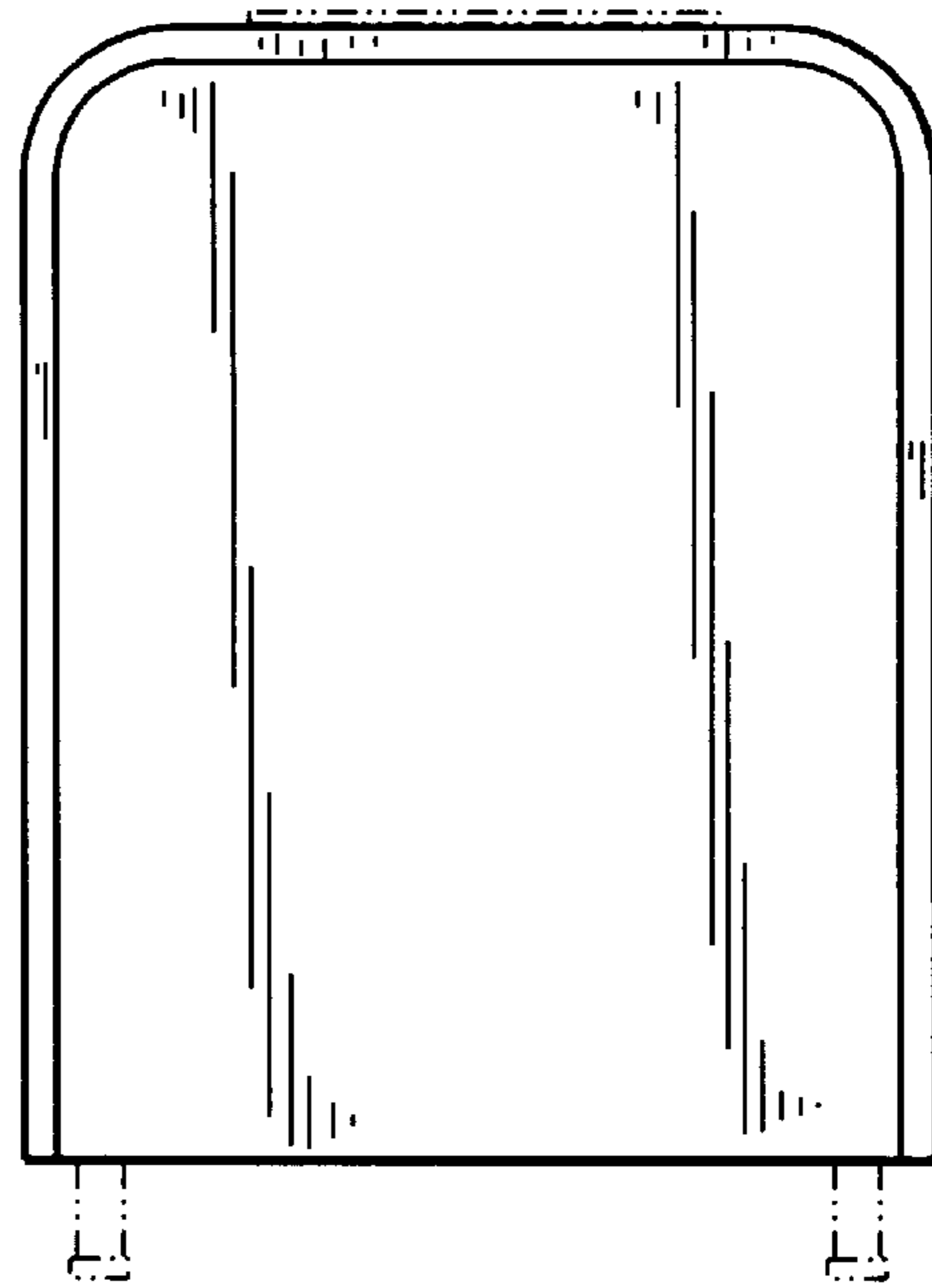


FIG. 6

