

US00D522768S

(12) **United States Design Patent**
Wright et al.

(10) **Patent No.:** **US D522,768 S**

(45) **Date of Patent:** **** Jun. 13, 2006**

(54) **BED FRAME**

(75) Inventors: **Gerry Wright**, Knoxville, TN (US);
Jerry Smith, Knoxville, TN (US); **Joe Tate**, 1059 N. Cedar Bluff Rd.,
Knoxville, TN (US) 37923; **Paula Tate-Gunter**, Knoxville, TN (US)

(73) Assignee: **Joe Tate**, Knoxville, TN (US)

(**) Term: **14 Years**

(21) Appl. No.: **29/224,099**

(22) Filed: **Feb. 24, 2005**

(51) **LOC (8) Cl.** **06-01**

(52) **U.S. Cl.** **D6/393**

(58) **Field of Classification Search** D6/382,
D6/389, 392-395, 505-508; 5/53.1, 907,
5/279.1, 280, 281, 310

See application file for complete search history.

(56) **References Cited**

U.S. PATENT DOCUMENTS

2,075,319 A * 3/1937 Wilkie 5/280

D202,205 S * 9/1965 Horowitz D6/388
D296,345 S * 6/1988 Kushner D21/506
D309,387 S * 7/1990 Marshall D6/394
2003/0145377 A1 * 8/2003 Paul 5/53.1

* cited by examiner

Primary Examiner—Janice Seeger

(74) *Attorney, Agent, or Firm*—Pitts & Brittan, P.C.

(57) **CLAIM**

The ornamental design for a bed frame, as shown and described.

DESCRIPTION

FIG. 1 is a perspective view of a bed frame of the present invention;

FIG. 2 is a top plan view thereof;

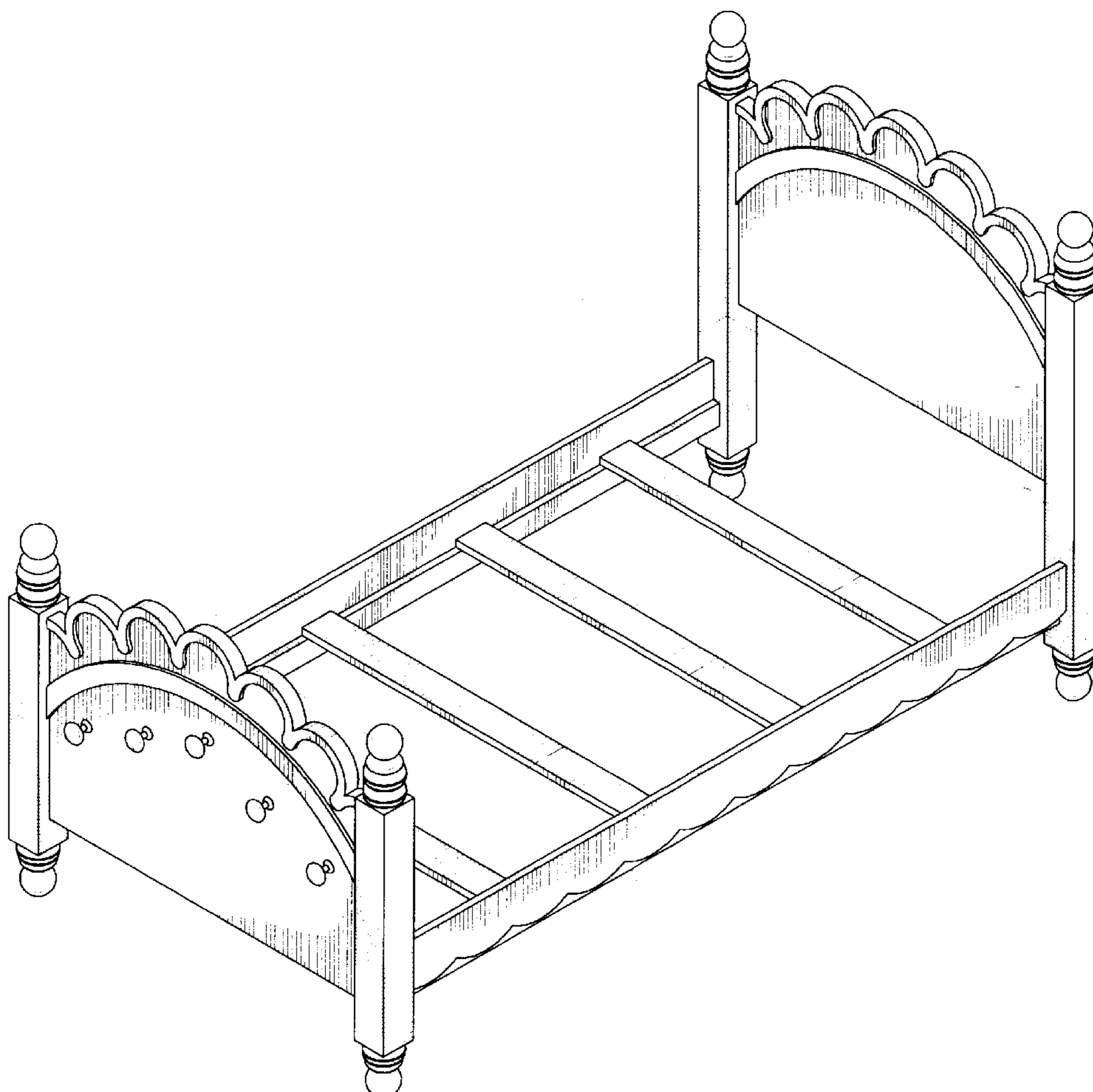
FIG. 3 is a right side elevation view thereof, the left side elevation view being a mirror image thereof;

FIG. 4 is a front elevation view thereof; and,

FIG. 5 is a back elevation view thereof.

The broken lines are for environmental purposes only and form no part of the claimed design.

1 Claim, 4 Drawing Sheets



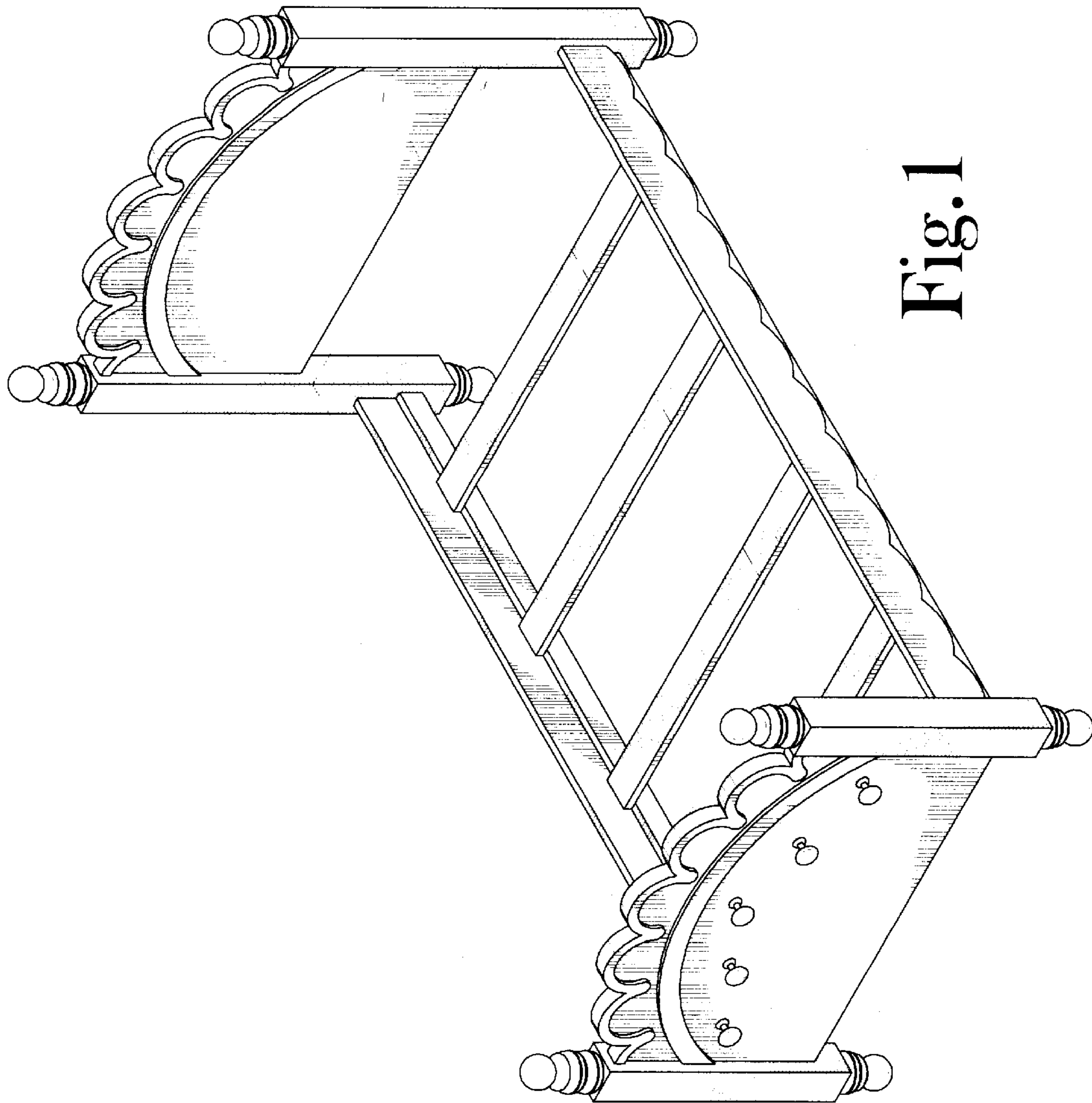


Fig. 1

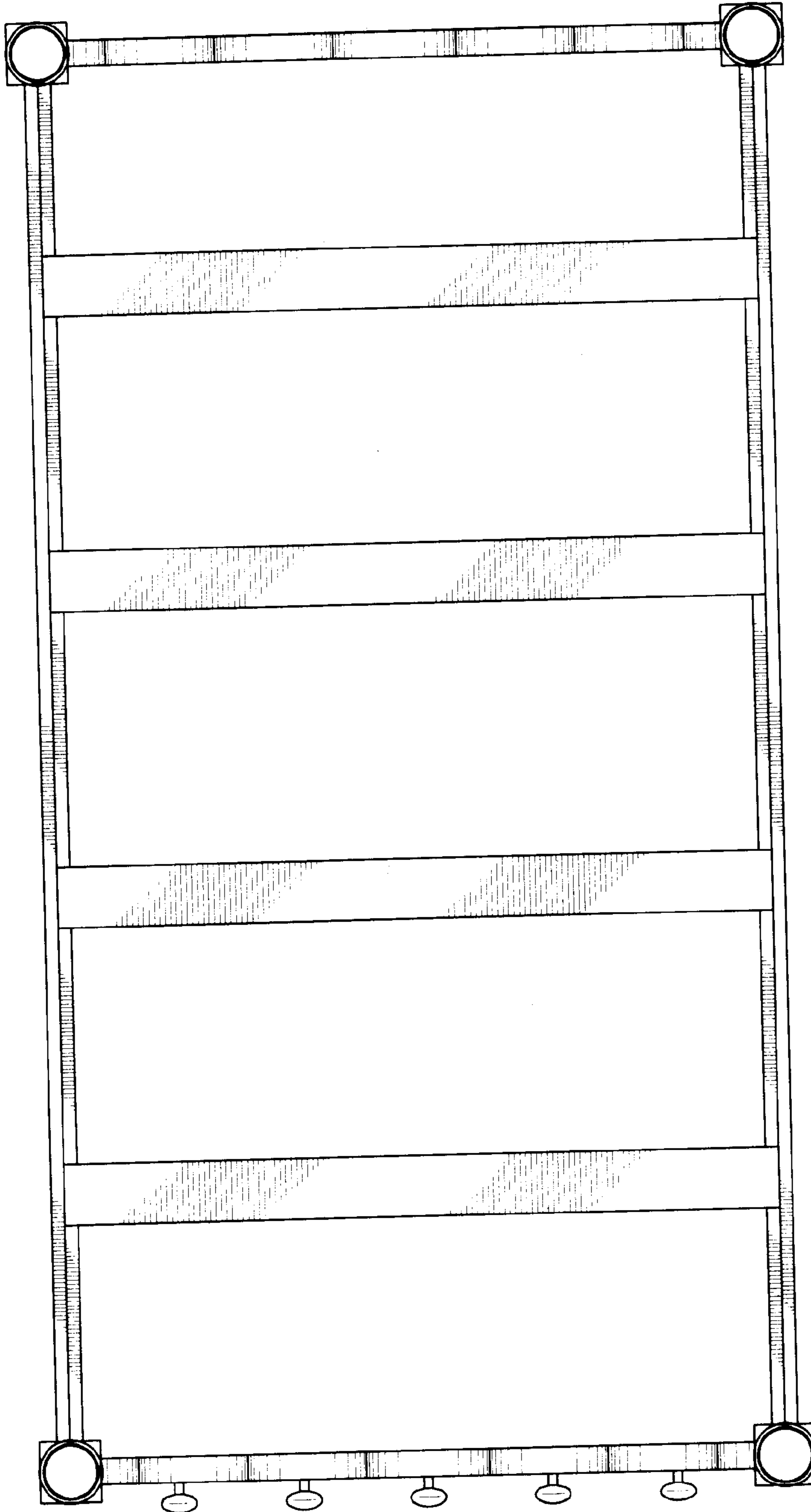


Fig. 2

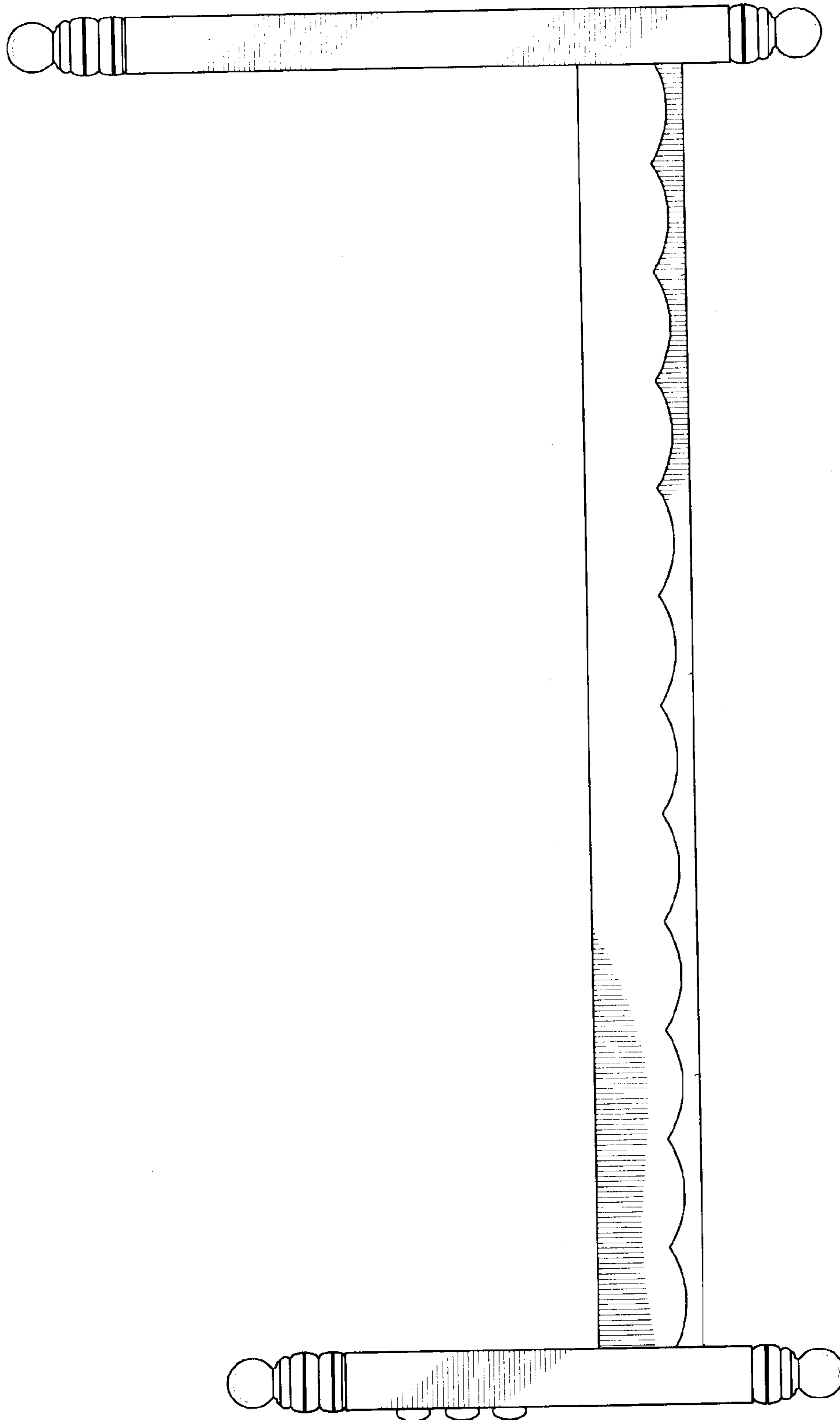


Fig. 3

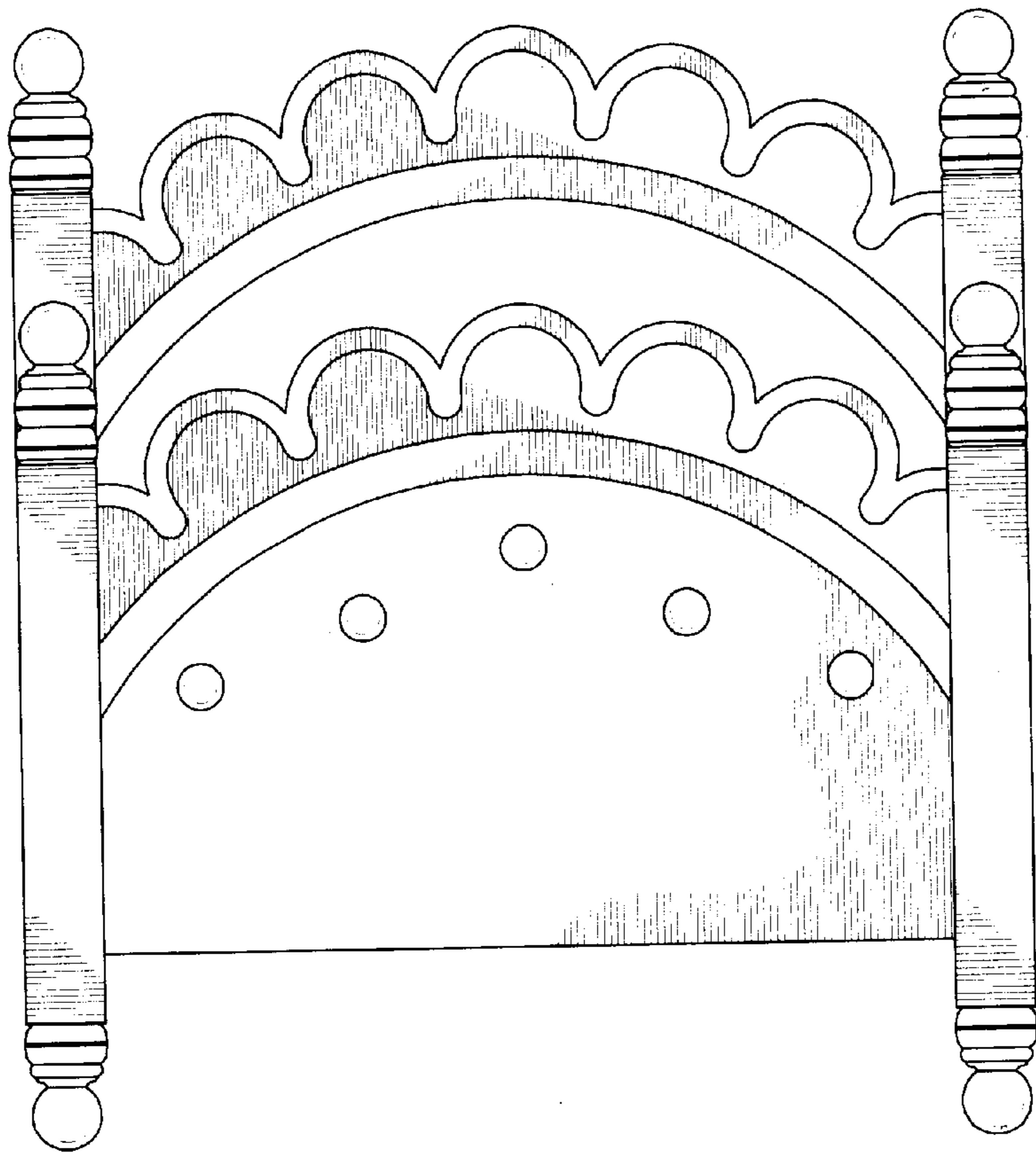


Fig. 4

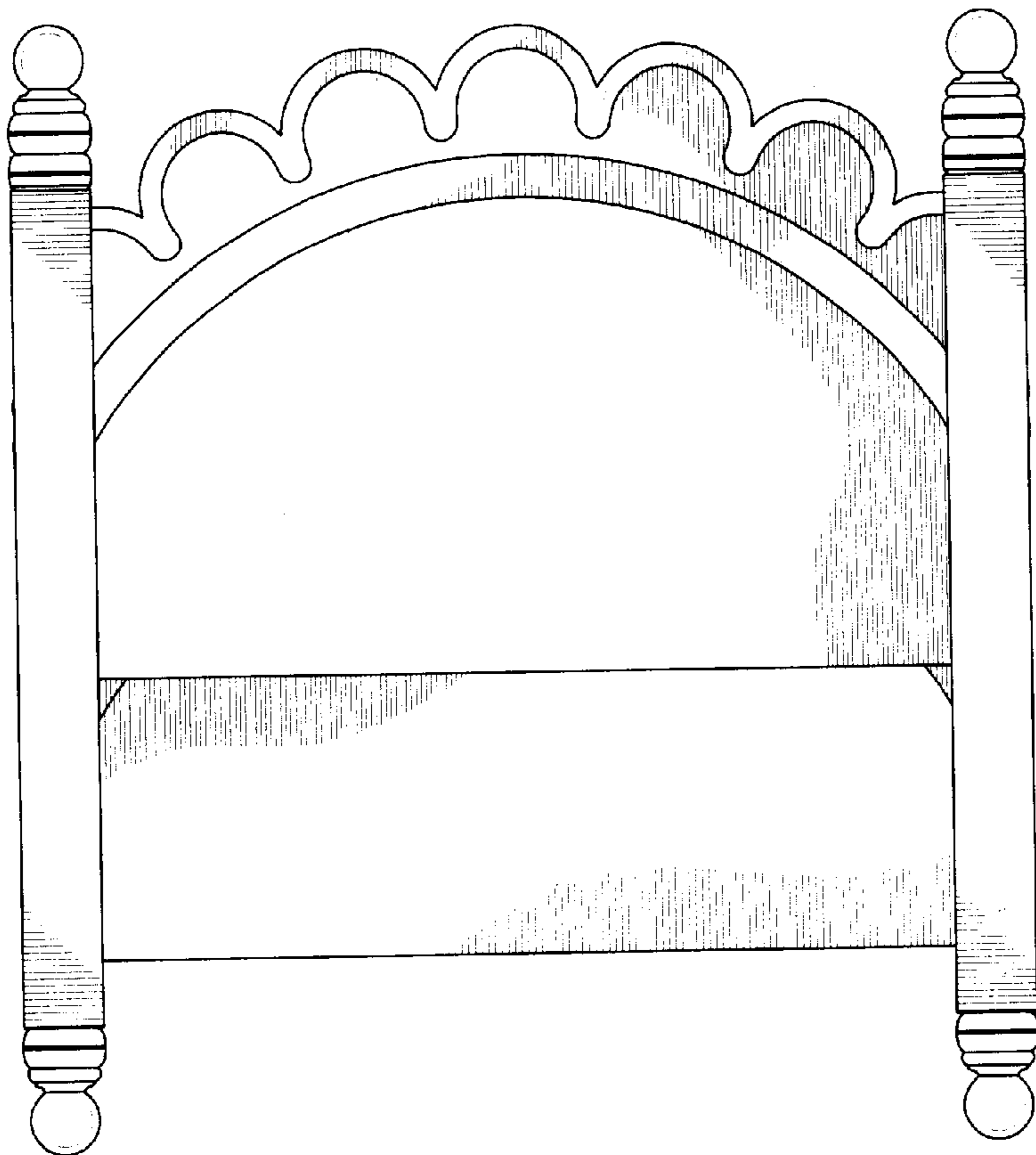


Fig. 5