



US00D522765S

(12) **United States Design Patent**  
**Babick**

(10) **Patent No.:** **US D522,765 S**  
(45) **Date of Patent:** **\*\* Jun. 13, 2006**

(54) **MULTI-POSITION CHAIR**

(75) Inventor: **Tod Graham Babick**, Grand Rapids,  
MI (US)

(73) Assignee: **Sauder Manufacturing Company**,  
Archbold, OH (US)

(\*\*) Term: **14 Years**

(21) Appl. No.: **29/205,271**

(22) Filed: **May 12, 2004**

(51) **LOC (8) Cl.** ..... **06-01**

(52) **U.S. Cl.** ..... **D6/373; D6/348**

(58) **Field of Classification Search** ..... D6/334,  
D6/335, 336, 344, 345, 346, 348, 371-374,  
D6/379, 380, 500-502; 297/271.1, 271.5,  
297/271.6, 451.3, 451.7

See application file for complete search history.

(56) **References Cited**

**U.S. PATENT DOCUMENTS**

D286,824 S	*	11/1986	Opsvik	.....	D6/348
D329,340 S		9/1992	Miller		
D330,466 S		10/1992	Miller		
D351,292 S		10/1994	Miller		
D351,744 S	*	10/1994	Caruso et al.	.....	D6/373
D355,541 S		2/1995	Miller		
D359,395 S		6/1995	Miller		
D359,626 S		6/1995	Miller		
D421,684 S	*	3/2000	Saul	.....	D6/373
D426,080 S	*	6/2000	Hise, Jr.	.....	D6/348
D459,597 S	*	7/2002	Calvey	.....	D6/348
D466,711 S	*	12/2002	Lundstrom	.....	D6/373
D486,316 S	*	2/2004	Lundstrom	.....	D6/373
D502,608 S	*	3/2005	Brown	.....	D6/345
D506,621 S	*	6/2005	Brown	.....	D6/345

**OTHER PUBLICATIONS**

Internet page—[www.saudercontract.com](http://www.saudercontract.com) PLYLOK, 3  
pages.

\* cited by examiner

*Primary Examiner*—Mimosa De

(74) *Attorney, Agent, or Firm*—Baker & Daniels LLP

(57) **CLAIM**

The ornamental design for a multi-position chair, as shown  
and described.

**DESCRIPTION**

FIG. 1 is a front perspective view of a first embodiment of  
the chair according to the instant invention;

FIG. 2 is a rear perspective view of the chair of FIG. 1;

FIG. 3 is a front elevational view of the chair of FIG. 1;

FIG. 4 is a rear elevational view of the chair of FIG. 1;

FIG. 5 is a side elevational view of the chair of FIG. 1;

FIG. 6 is a top view of the chair of FIG. 1;

FIG. 7 is a bottom view of the chair of FIG. 1;

FIG. 8 is a front perspective view of a second embodiment  
of the chair according to the instant invention;

FIG. 9 is a rear perspective view of the chair of FIG. 8;

FIG. 10 is a front elevational view of the chair of FIG. 8;

FIG. 11 is a rear elevational view of the chair of FIG. 8;

FIG. 12 is a side elevational view of the chair of FIG. 8;

FIG. 13 is a top view of the chair of FIG. 8;

FIG. 14 is a bottom view of the chair of FIG. 8;

FIG. 15 is a front perspective view of a third embodiment of  
the chair according to the instant invention;

FIG. 16 is a rear perspective view of the chair of FIG. 15;

FIG. 17 is a front elevational view of the chair of FIG. 15;

FIG. 18 is a rear elevational view of the chair of FIG. 15;

FIG. 19 is a side elevational view of the chair of FIG. 15;

FIG. 20 is a top view of the chair of FIG. 15; and,

FIG. 21 is a bottom view of the chair of FIG. 15.

**1 Claim, 12 Drawing Sheets**

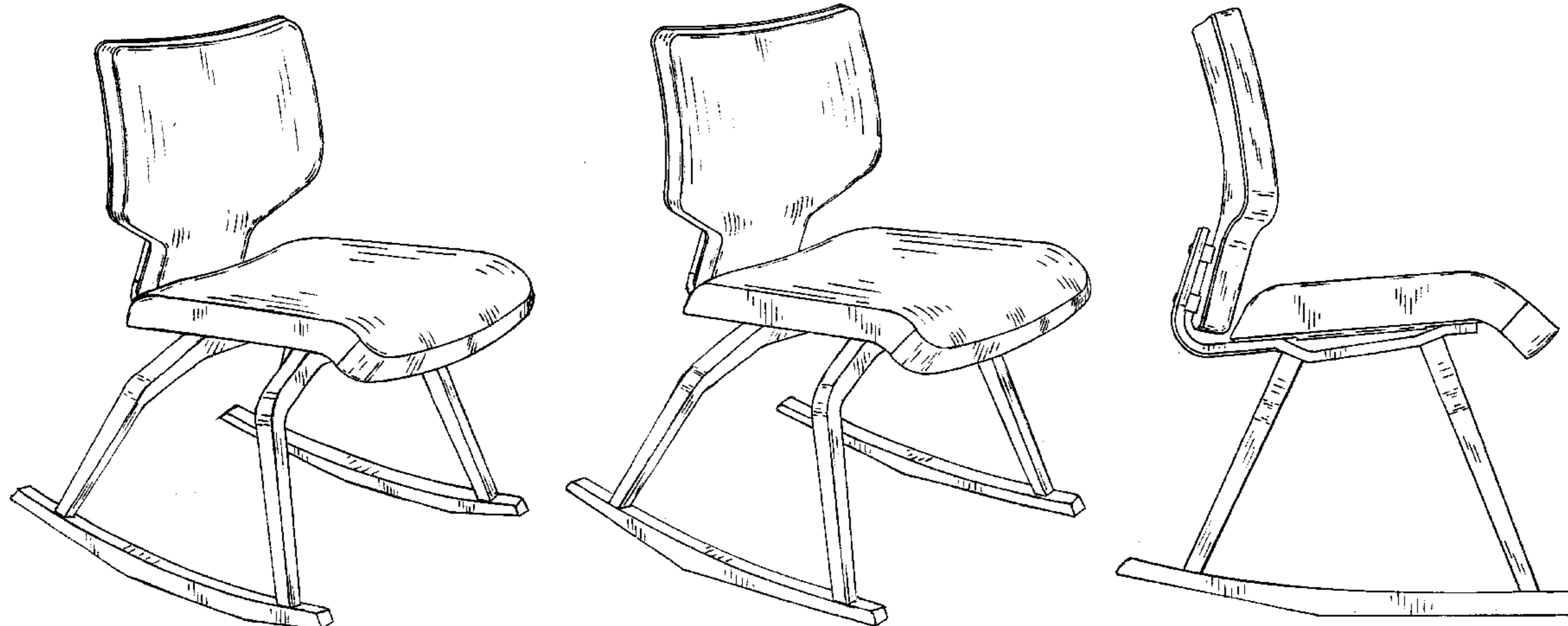




FIG. 1

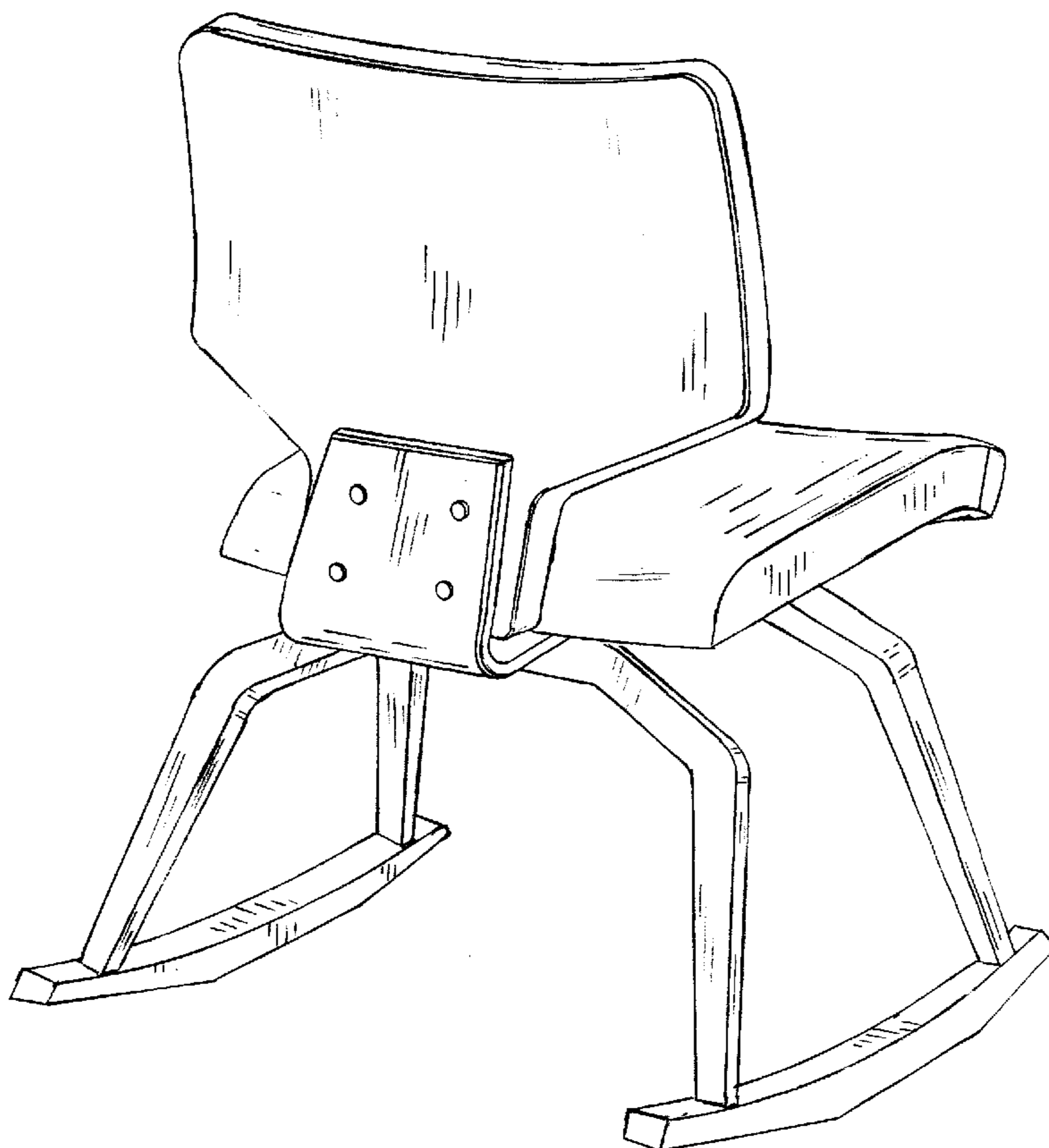


FIG. 2

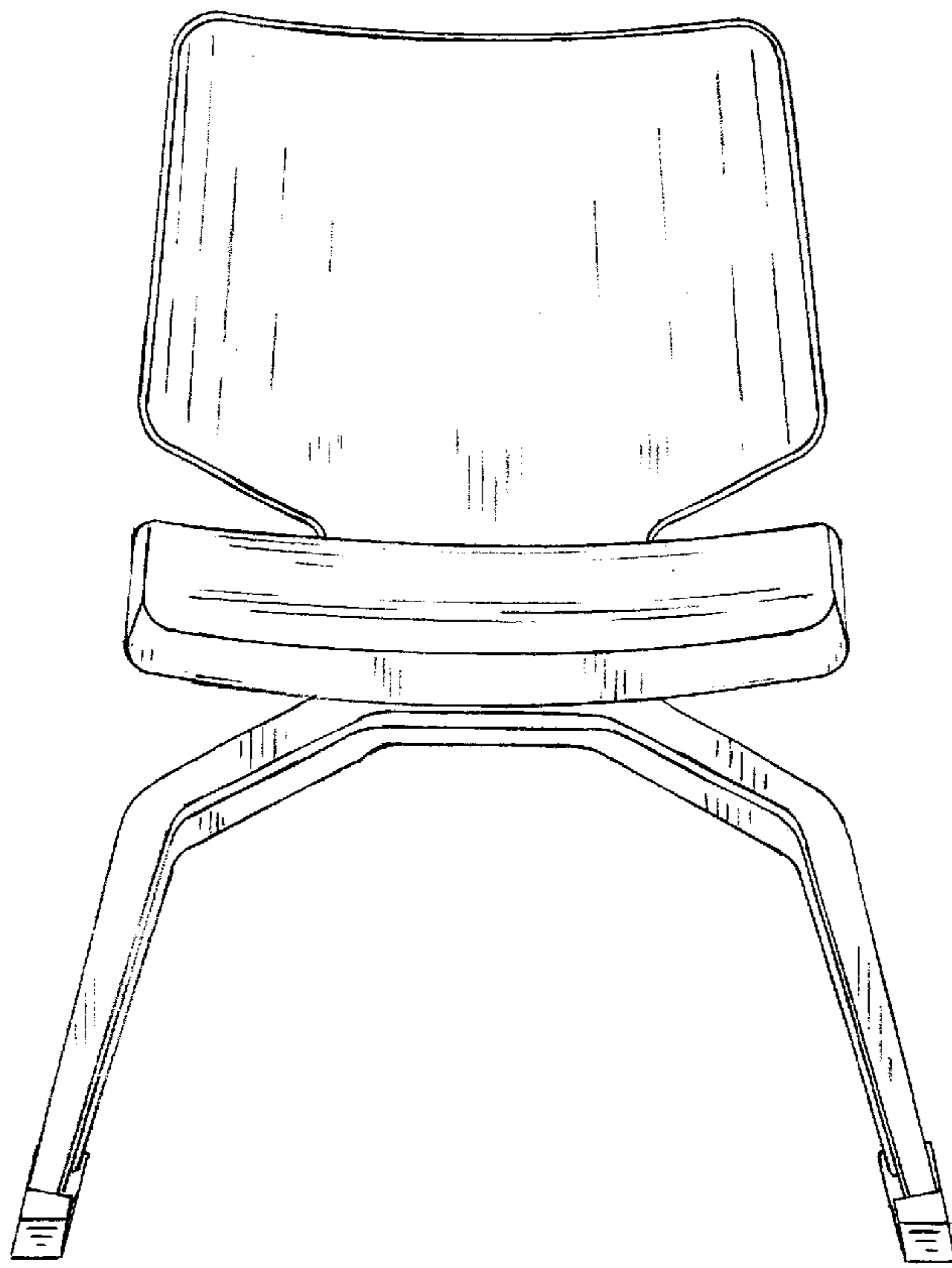


FIG. 3

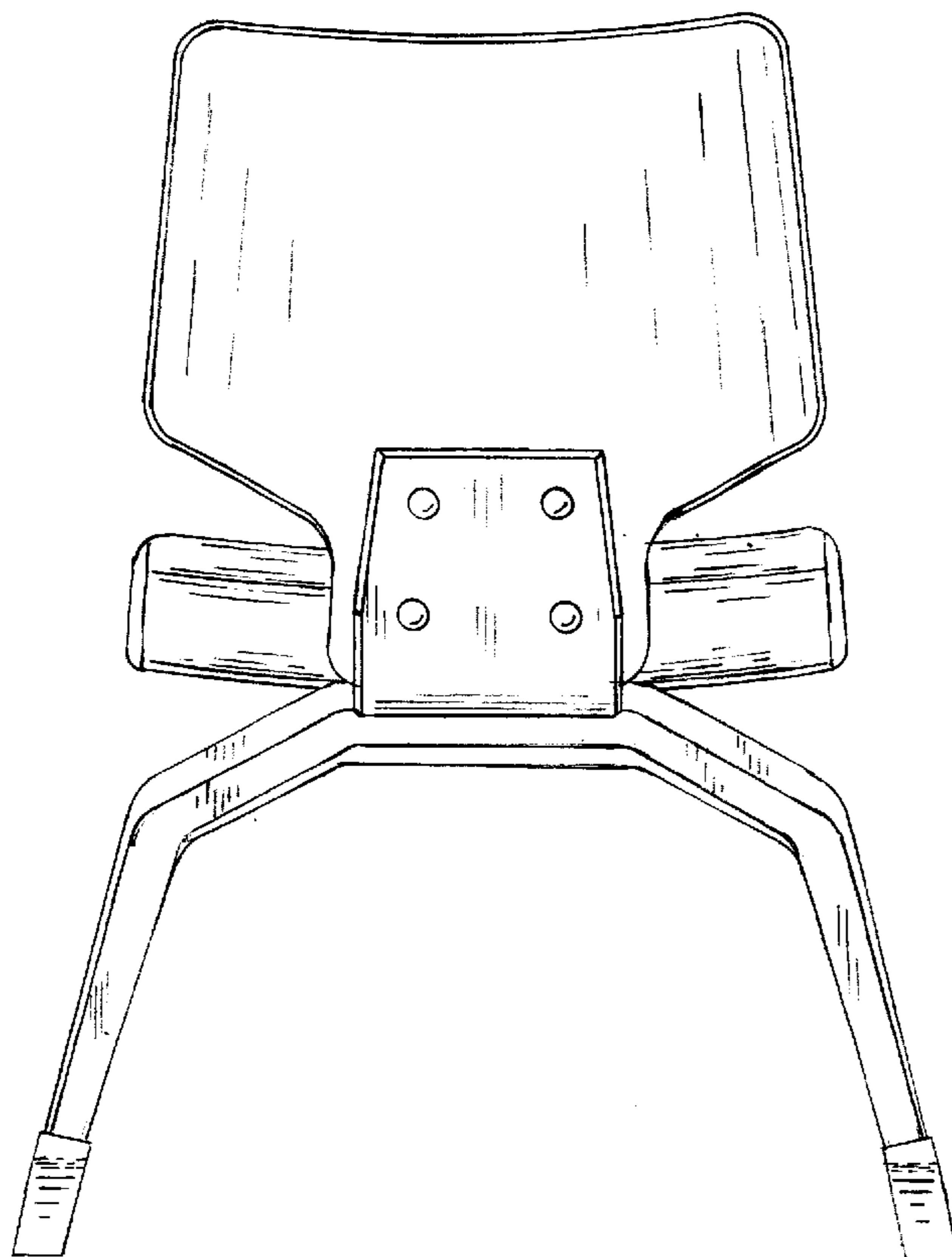


FIG. 4

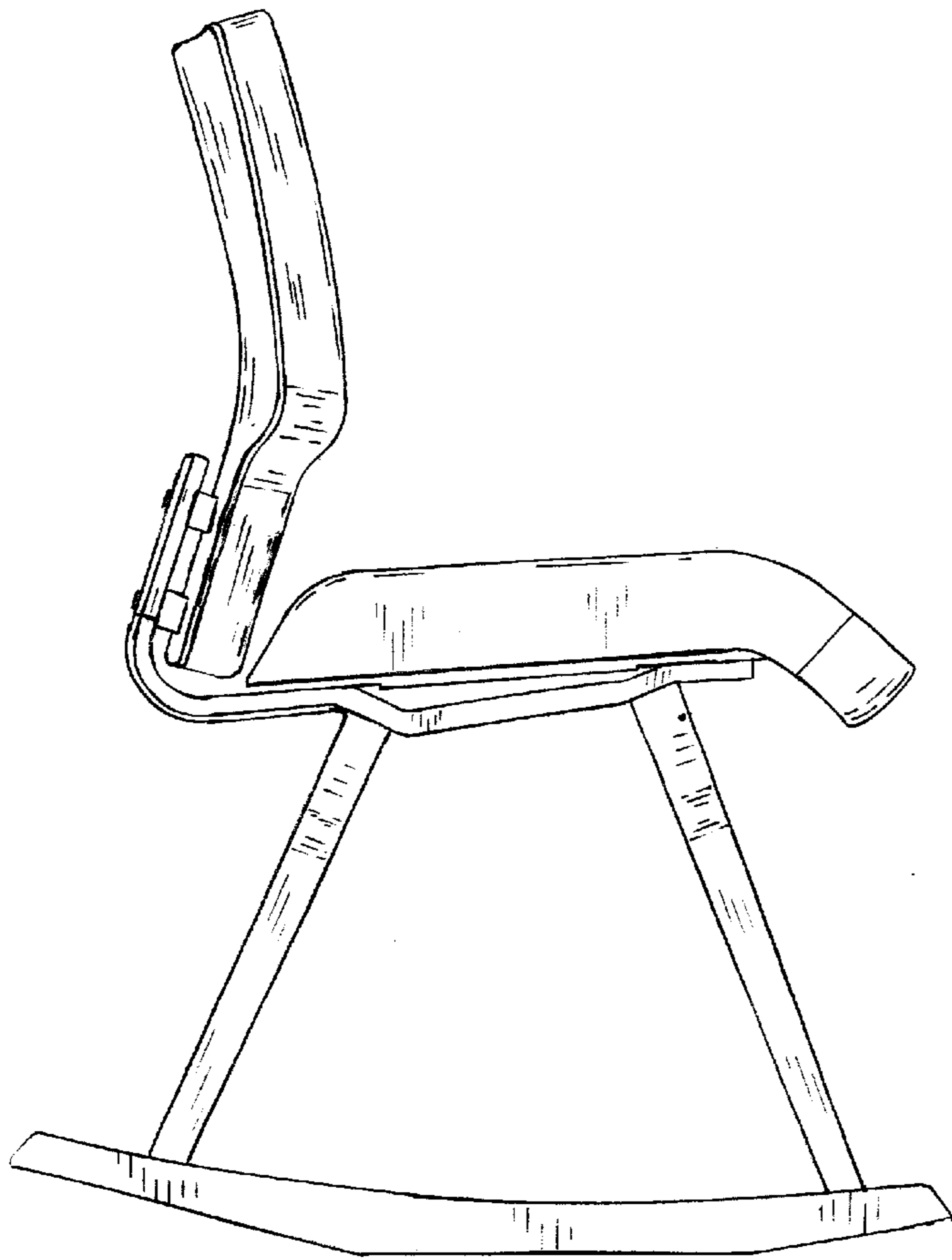


FIG. 5

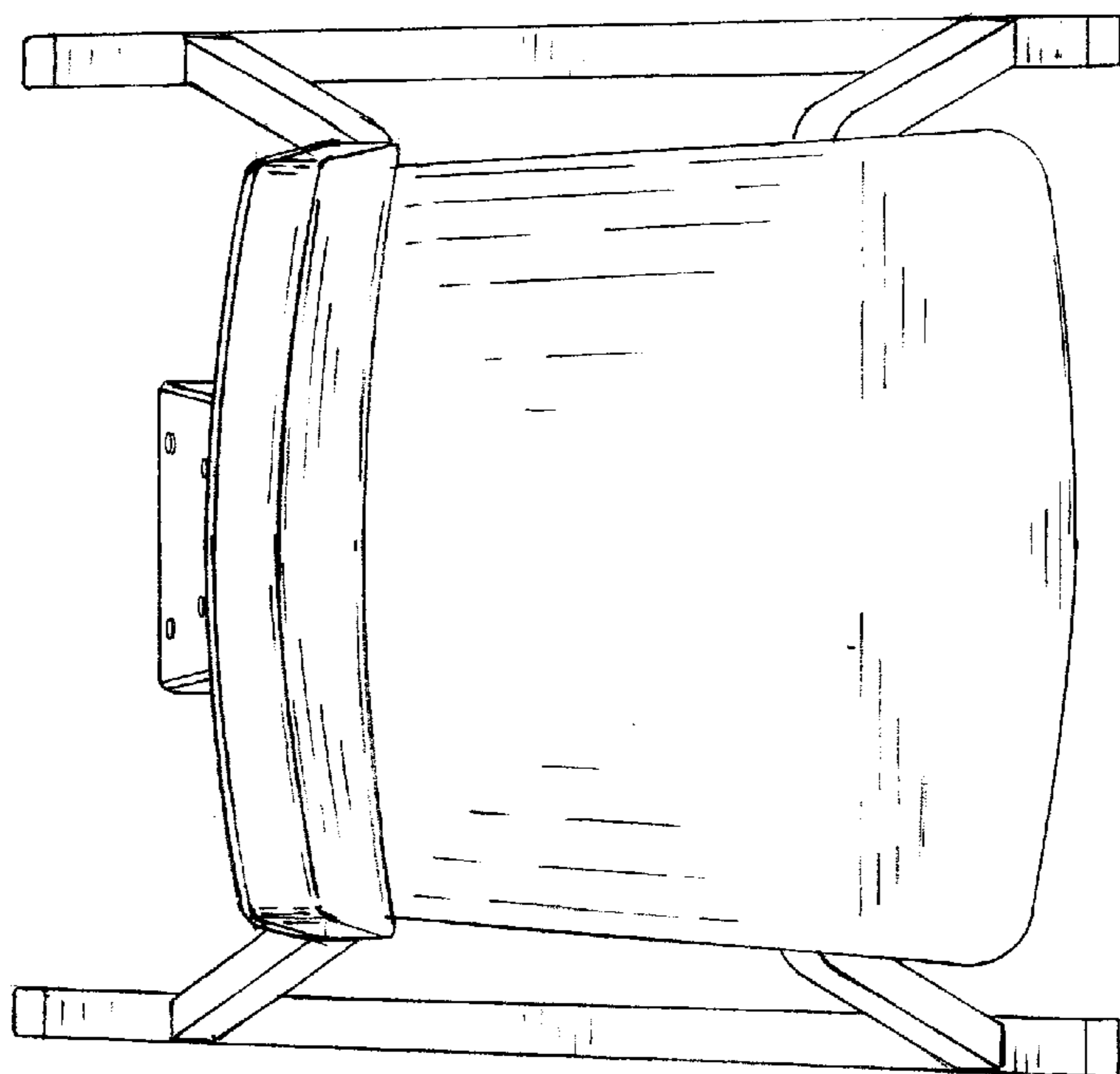


FIG. 6

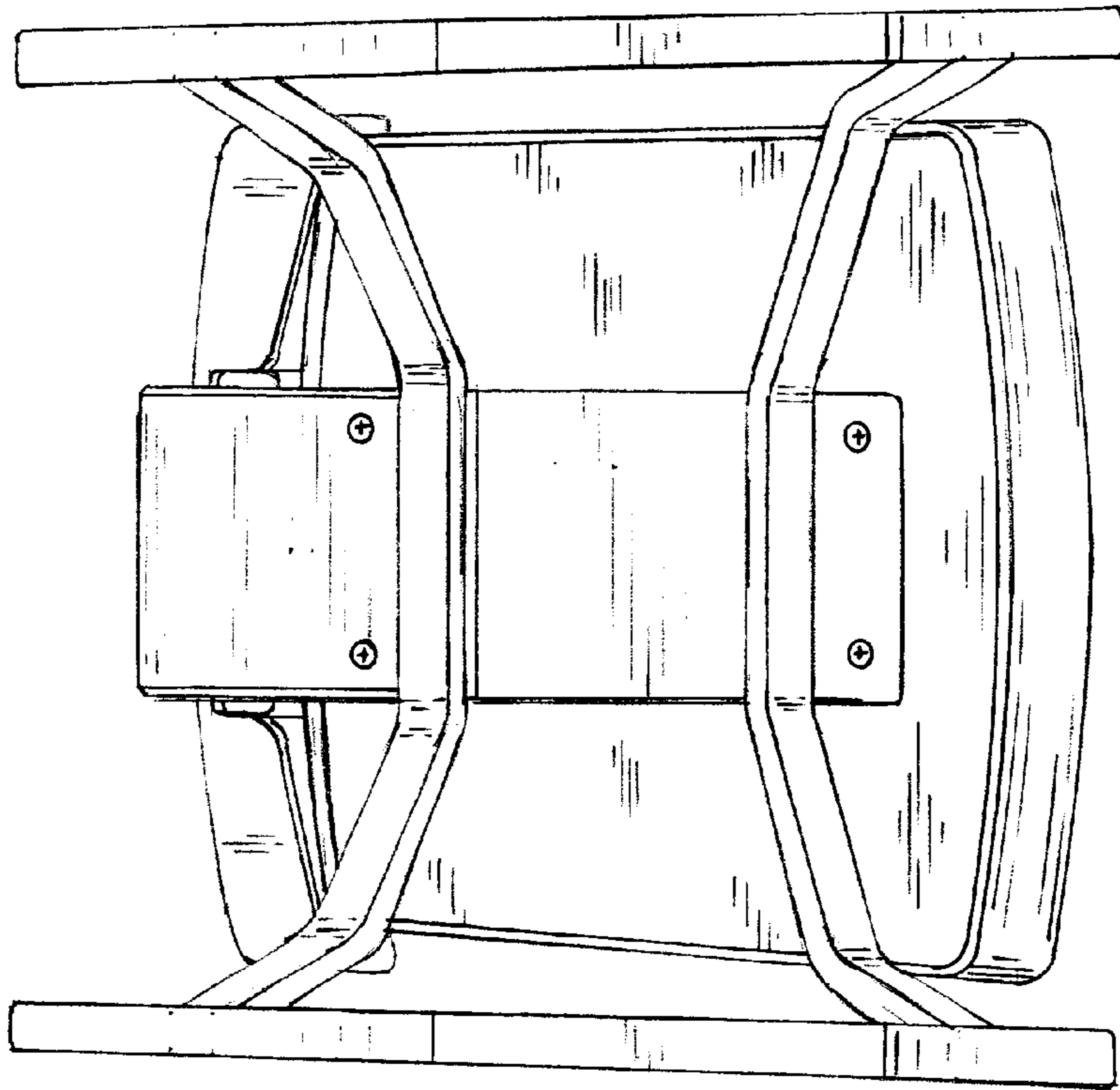


FIG. 7



FIG. 8

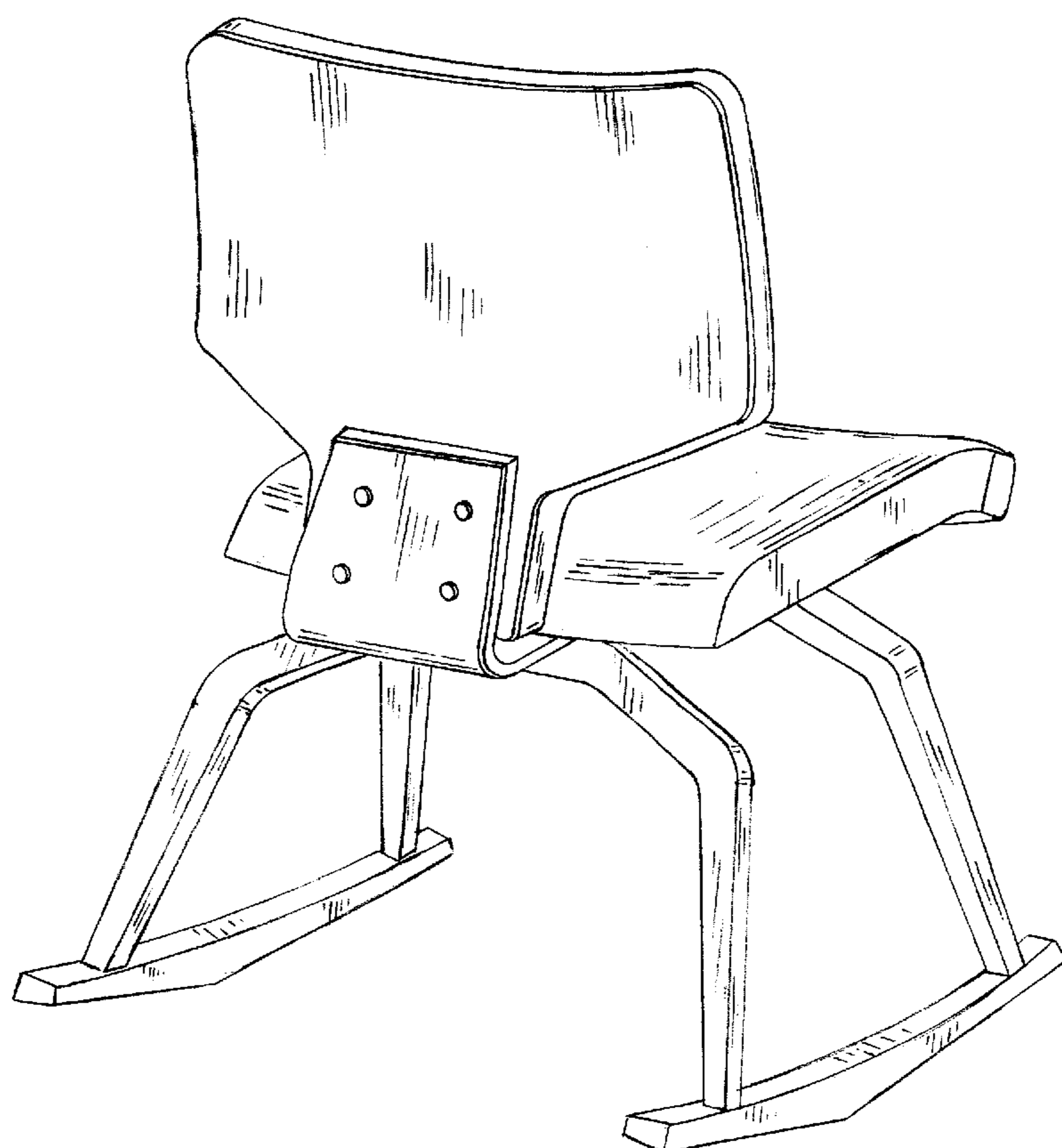


FIG. 9

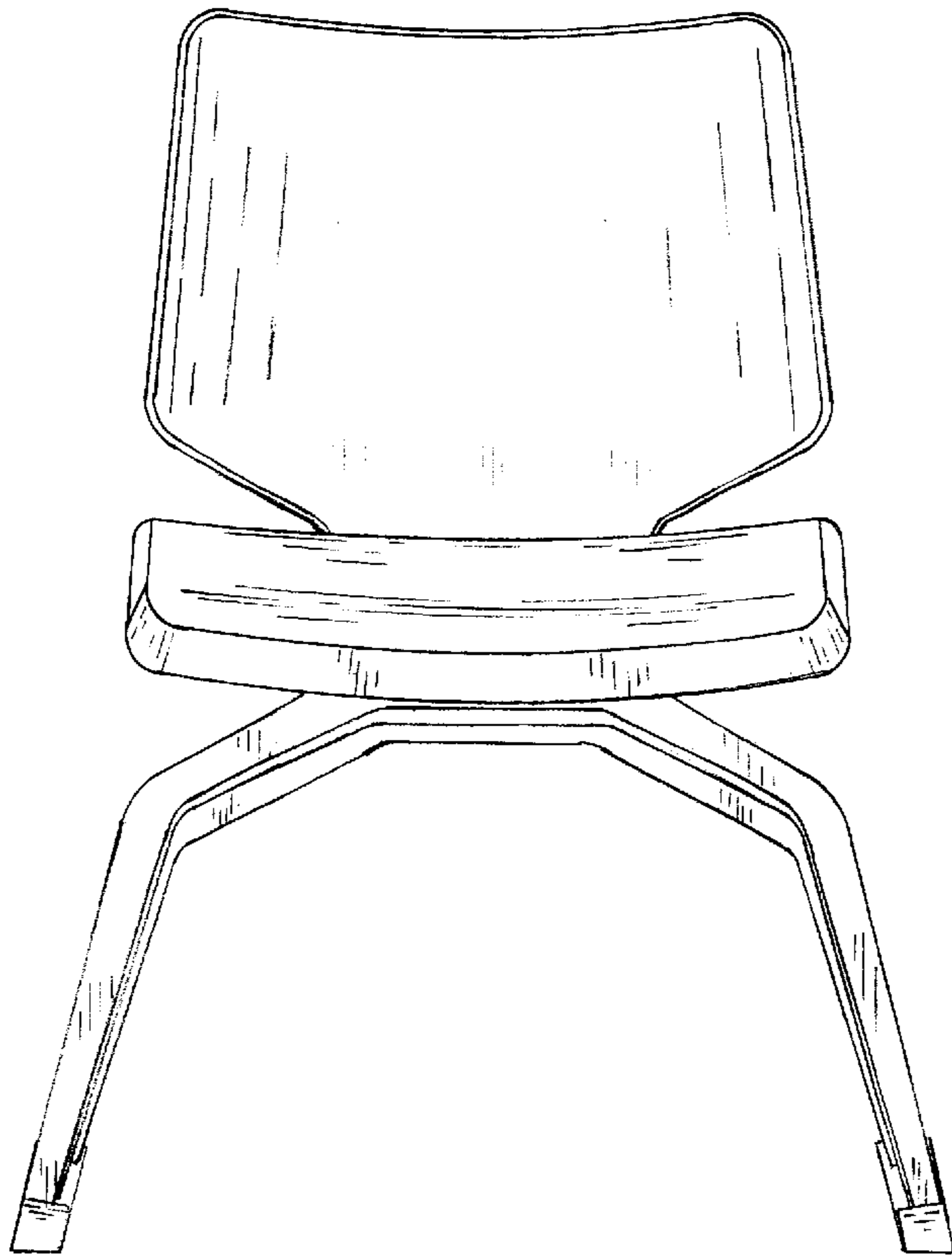


FIG. 10

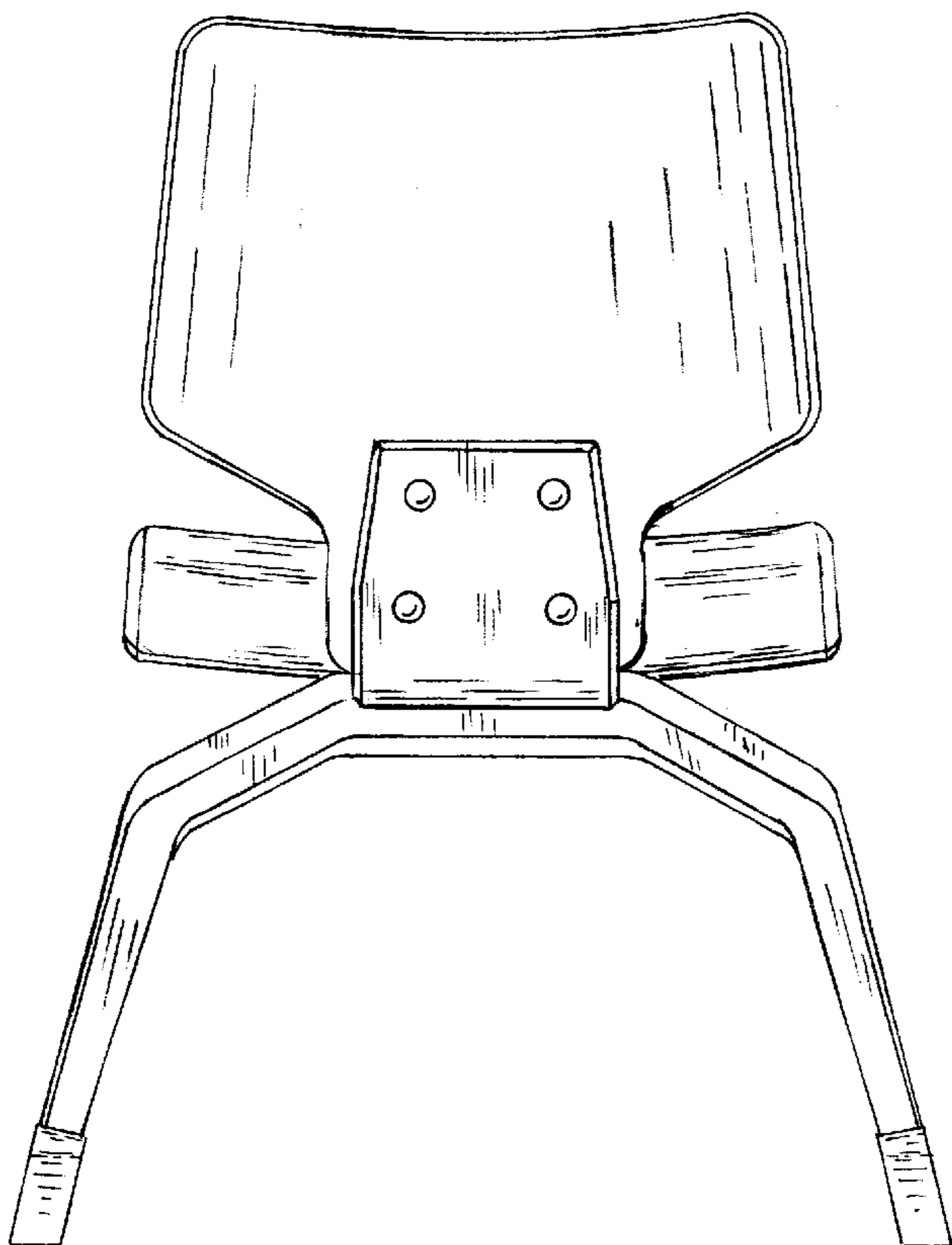


FIG. 11

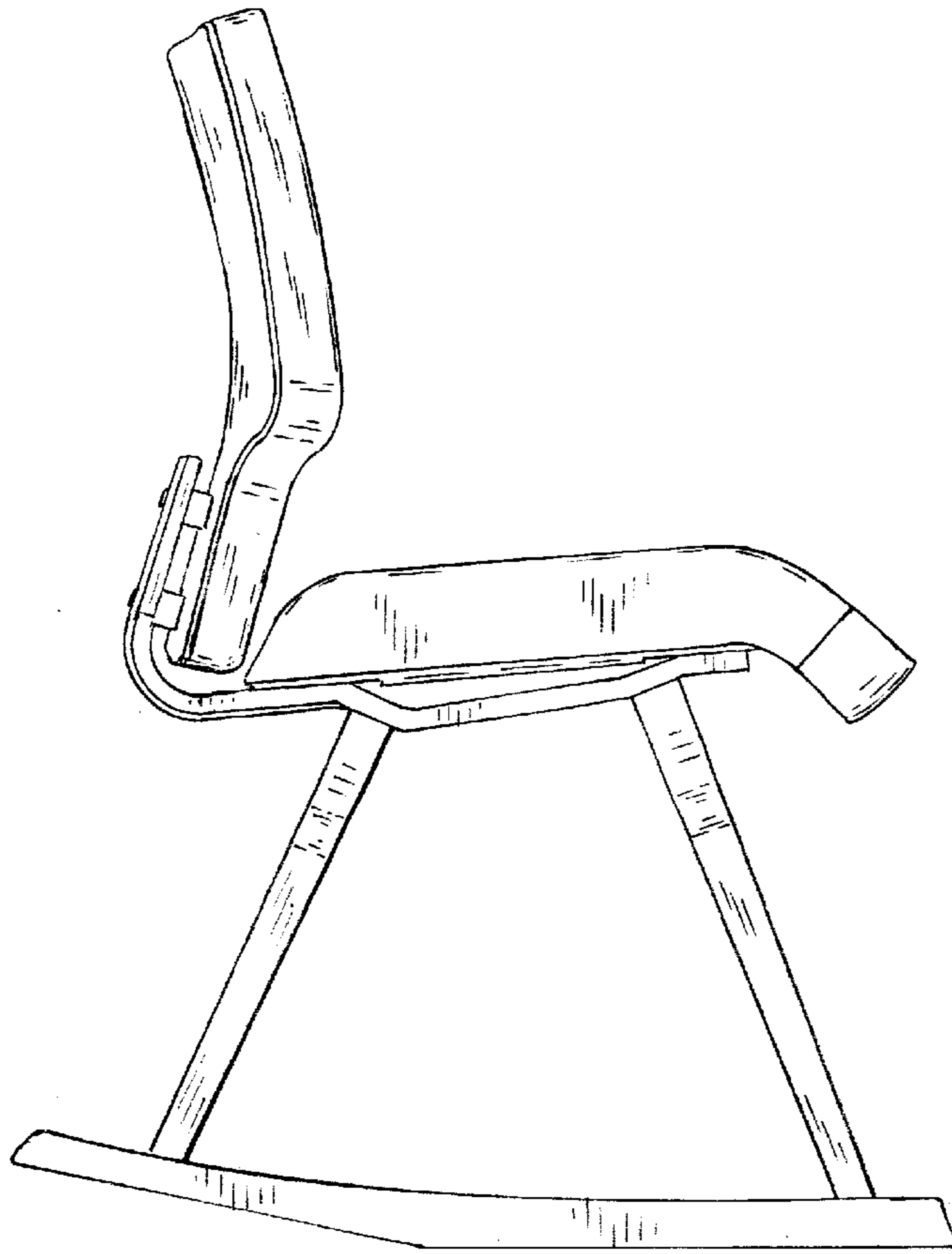


FIG. 12

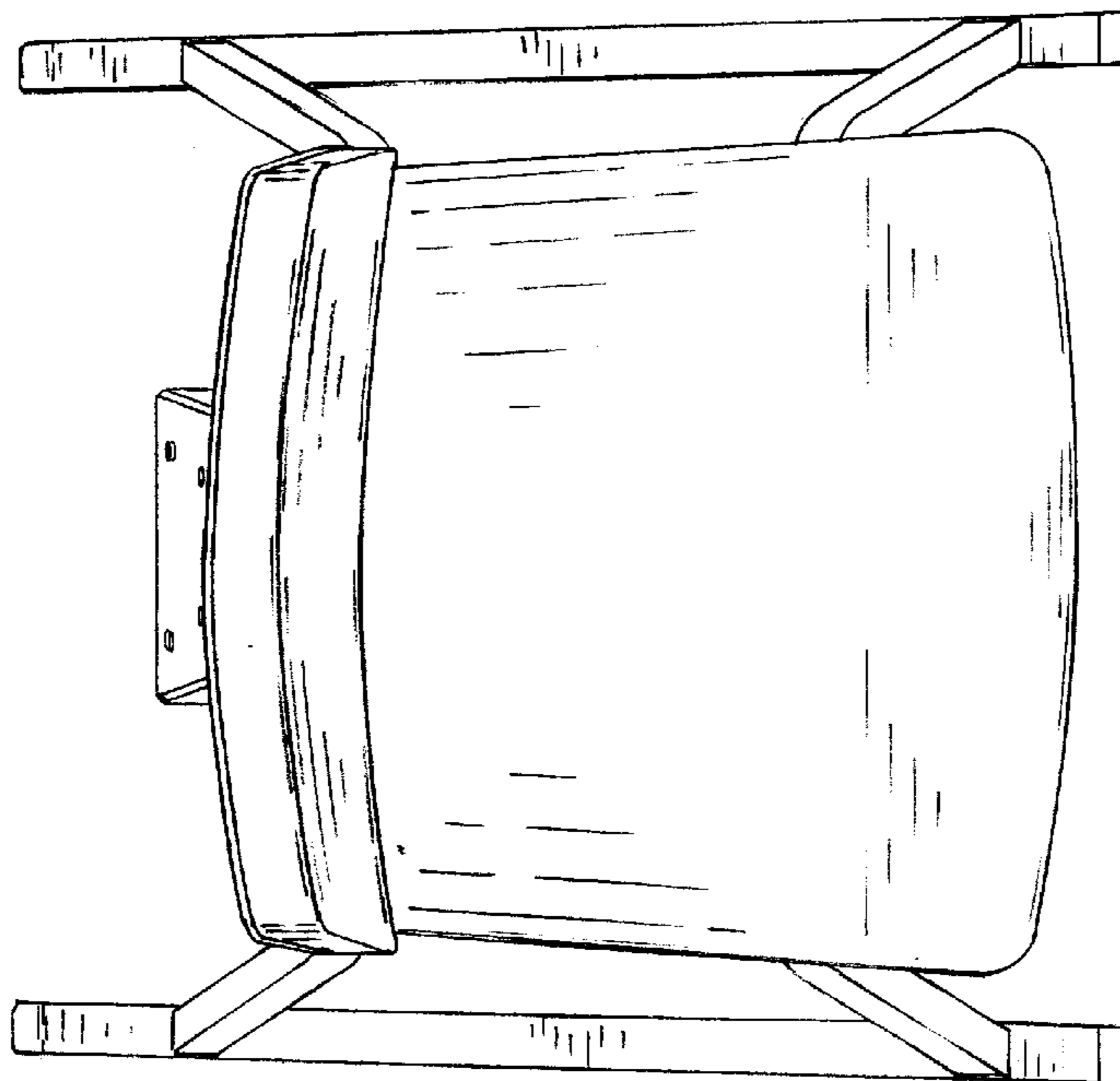


FIG. 13



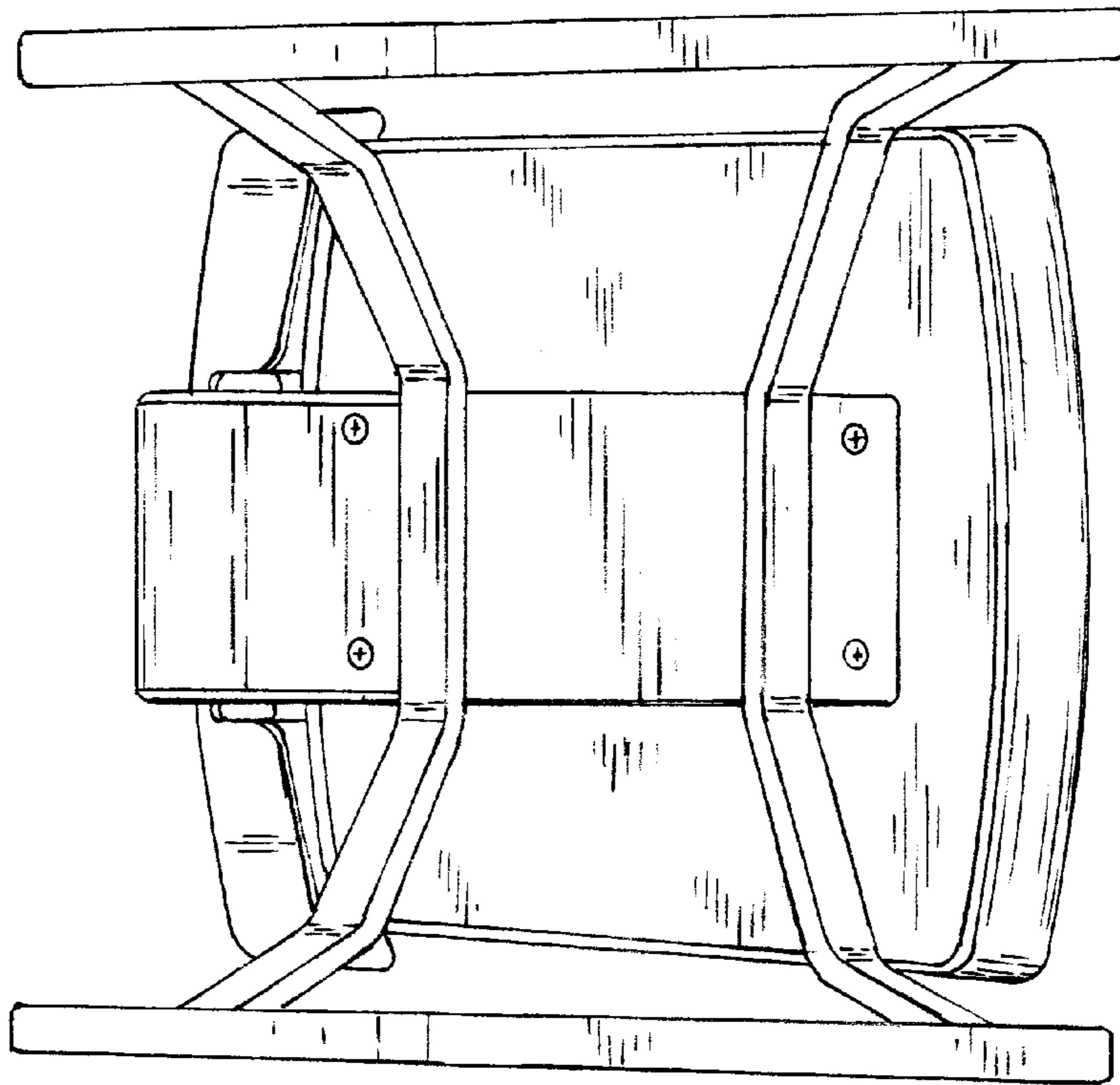


FIG.14

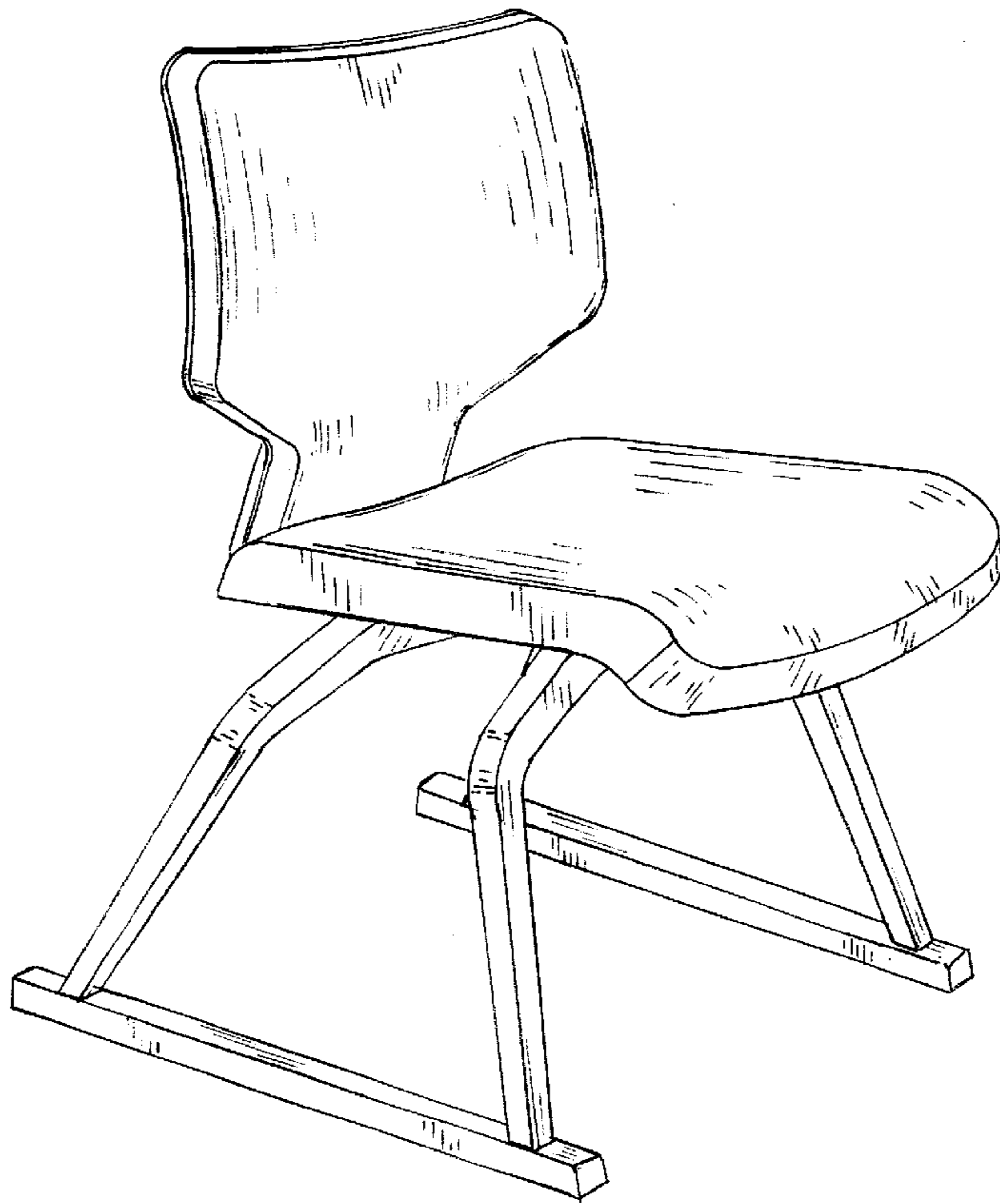


FIG. 15

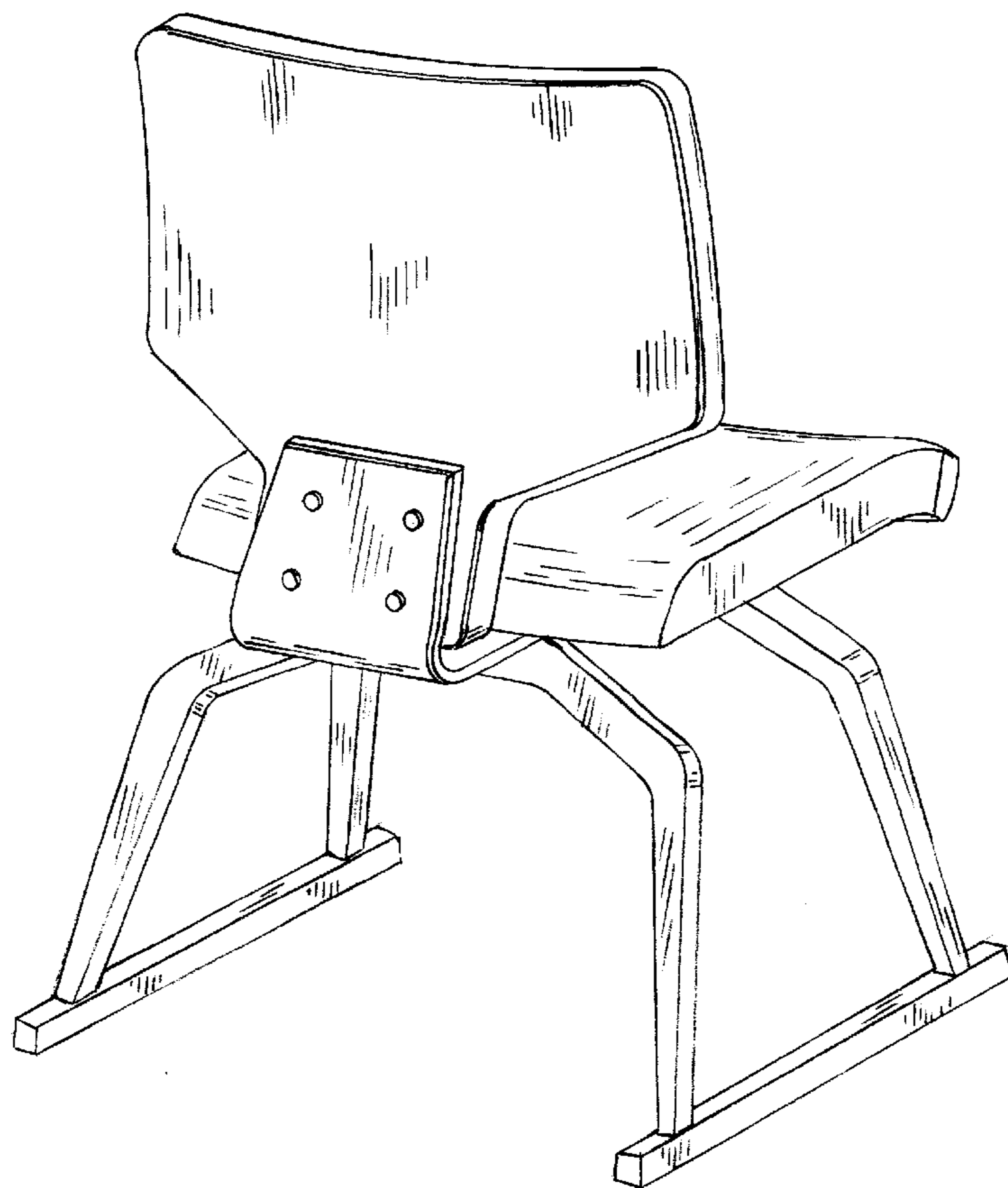


FIG. 16

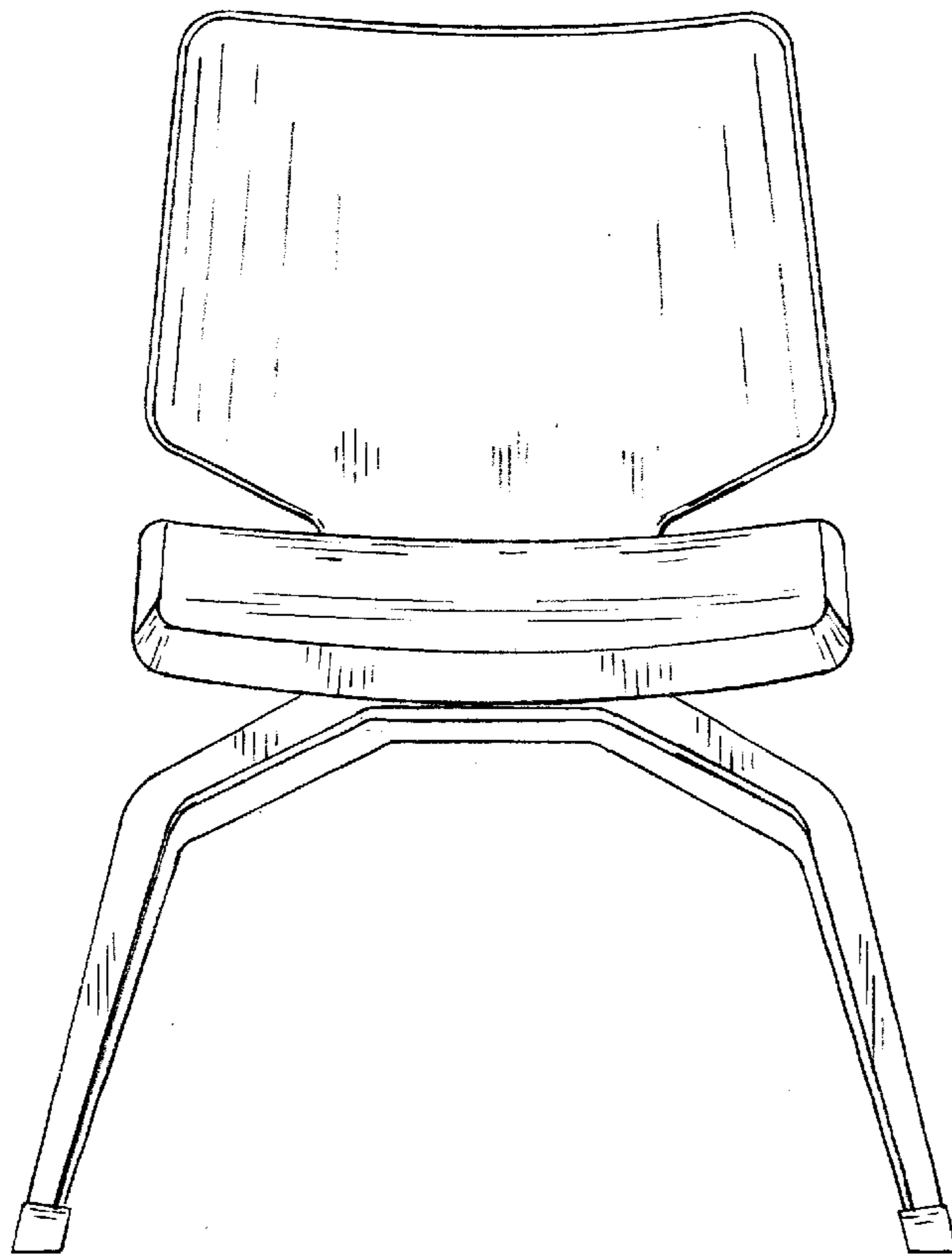


FIG. 17

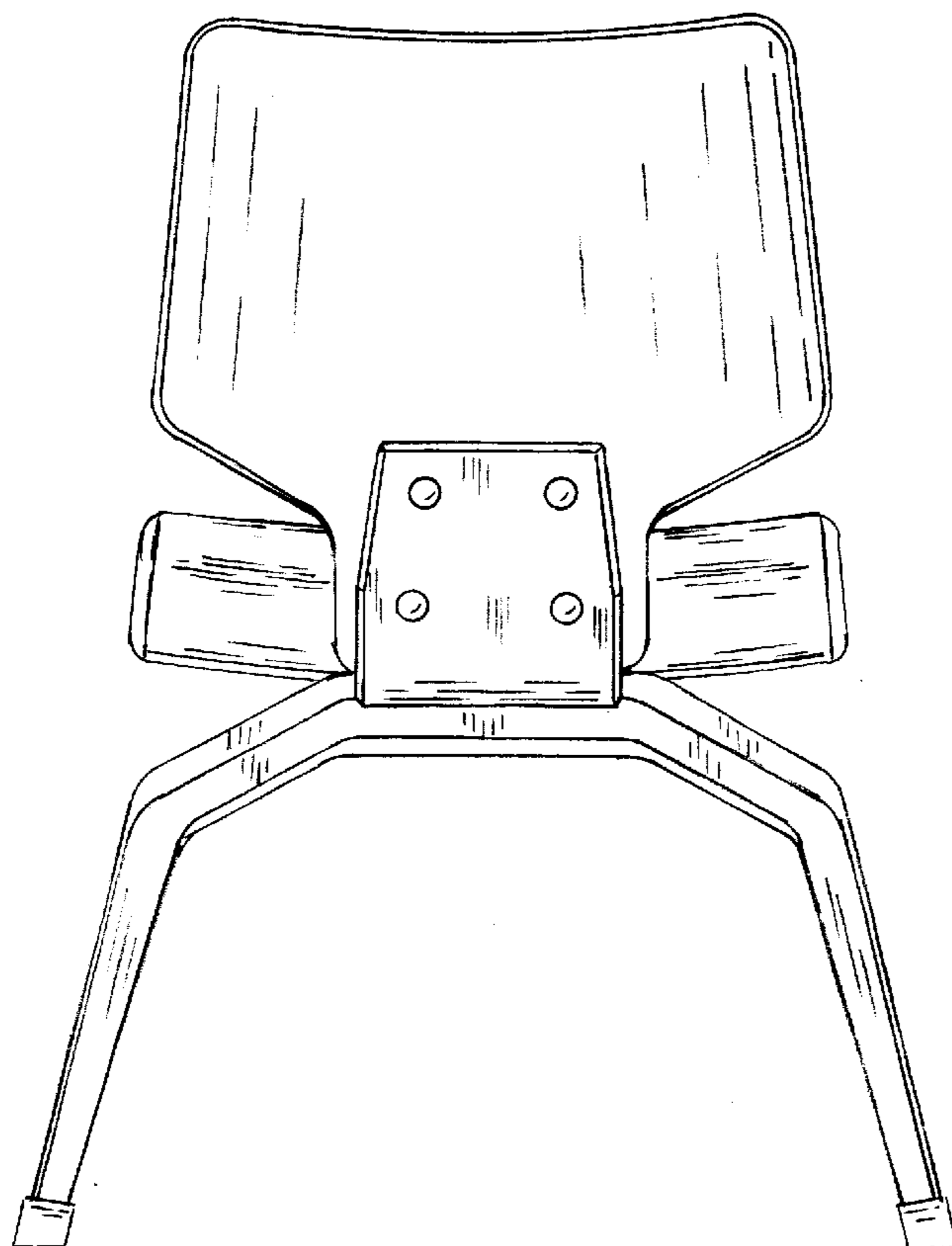


FIG. 18

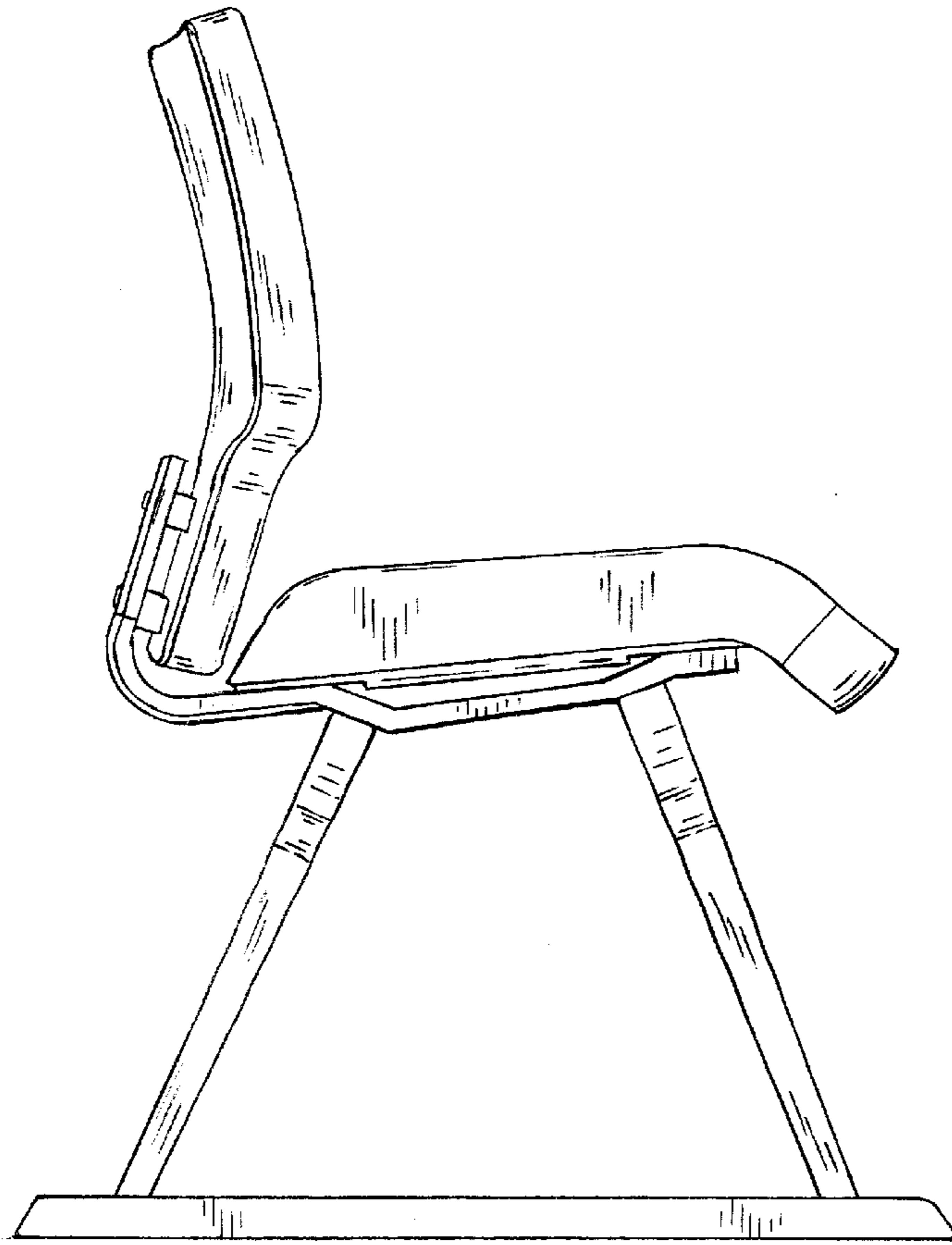


FIG. 19

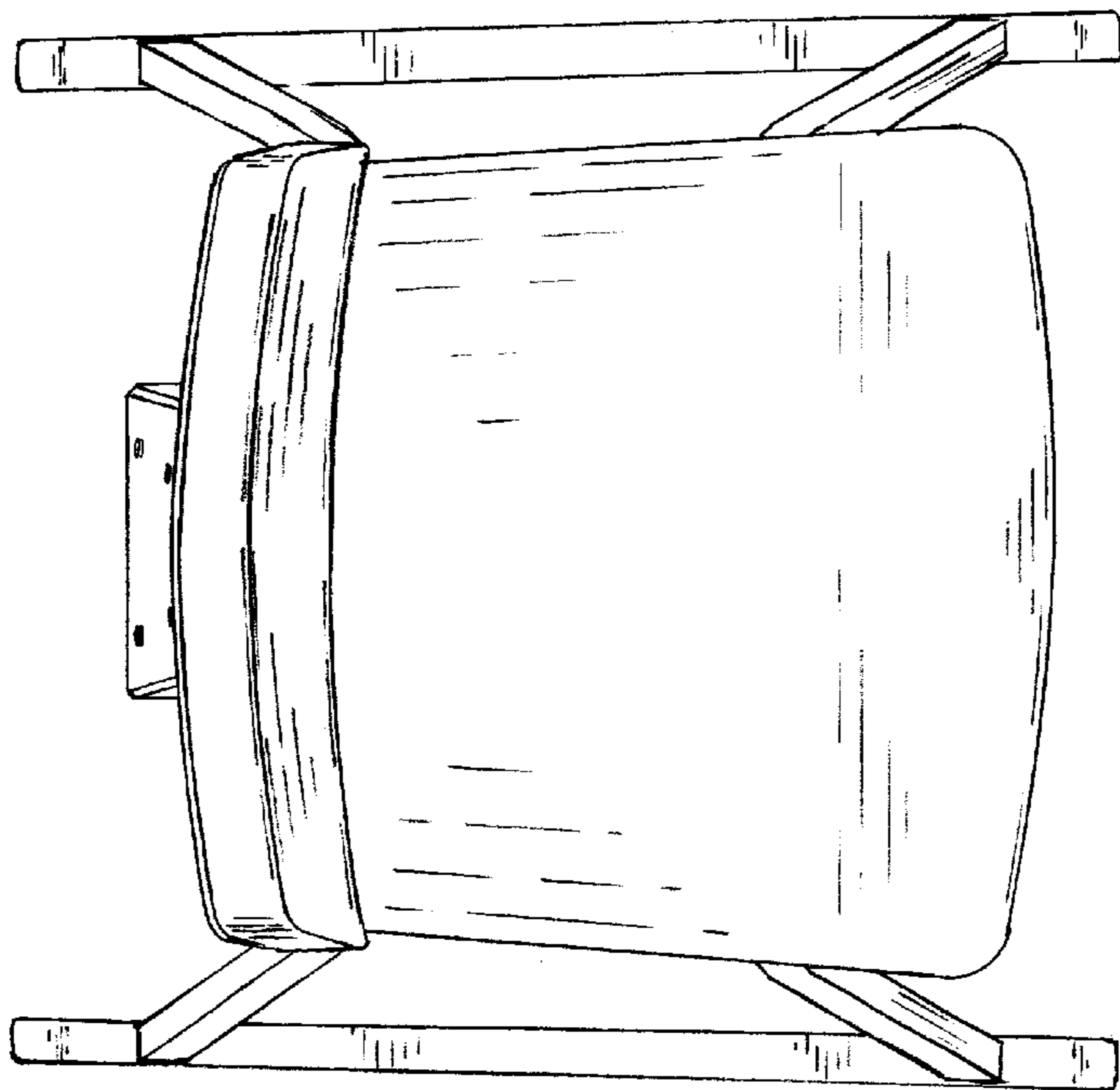


FIG. 20

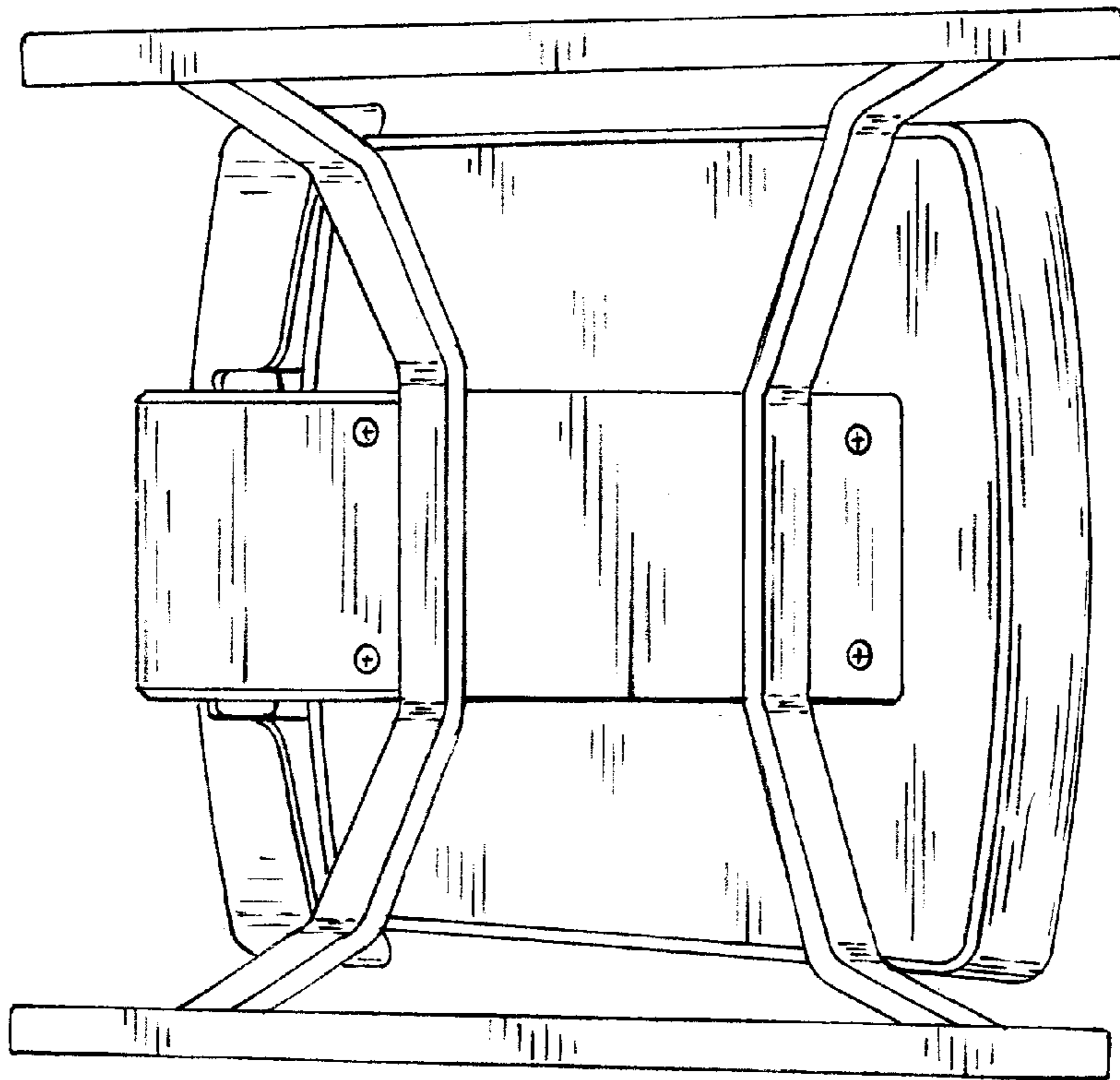


FIG. 21