



US00D522761S

(12) **United States Design Patent**  
**Bruce**

(10) **Patent No.:** **US D522,761 S**  
(45) **Date of Patent:** **\*\* Jun. 13, 2006**

(54) **MIRROR**

(75) **Inventor:** **David Bruce**, Monroe Township, NJ  
(US)

(73) **Assignee:** **Foremost Groups, Inc.**, East Hanover,  
NJ (US)

(\*\*) **Term:** **14 Years**

(21) **Appl. No.:** **29/227,067**

(22) **Filed:** **Apr. 6, 2005**

(51) **LOC (8) Cl.** ..... **06-07**

(52) **U.S. Cl.** ..... **D6/300**

(58) **Field of Classification Search** ..... D6/300-309,  
D6/444, 432, 568; 40/700-702, 714, 717,  
40/721, 727, 738, 739, 742, 745, 746, 747,  
40/768, 777, 778, 779, 782-784, 790-791;  
312/204; D11/131

See application file for complete search history.

(56) **References Cited**

**U.S. PATENT DOCUMENTS**

D63,772 S \* 1/1924 Cameron ..... D6/509

D314,626 S \* 2/1991 Hall ..... D25/48  
D319,884 S \* 9/1991 Hall ..... D25/48  
D406,466 S \* 3/1999 Keller et al. .... D6/300  
D441,546 S \* 5/2001 Harwanko ..... D6/300

\* cited by examiner

*Primary Examiner*—Janice E. Seeger

*Assistant Examiner*—Sydney R. Buffalow

(74) *Attorney, Agent, or Firm*—Drinker Biddle & Reath  
LLP

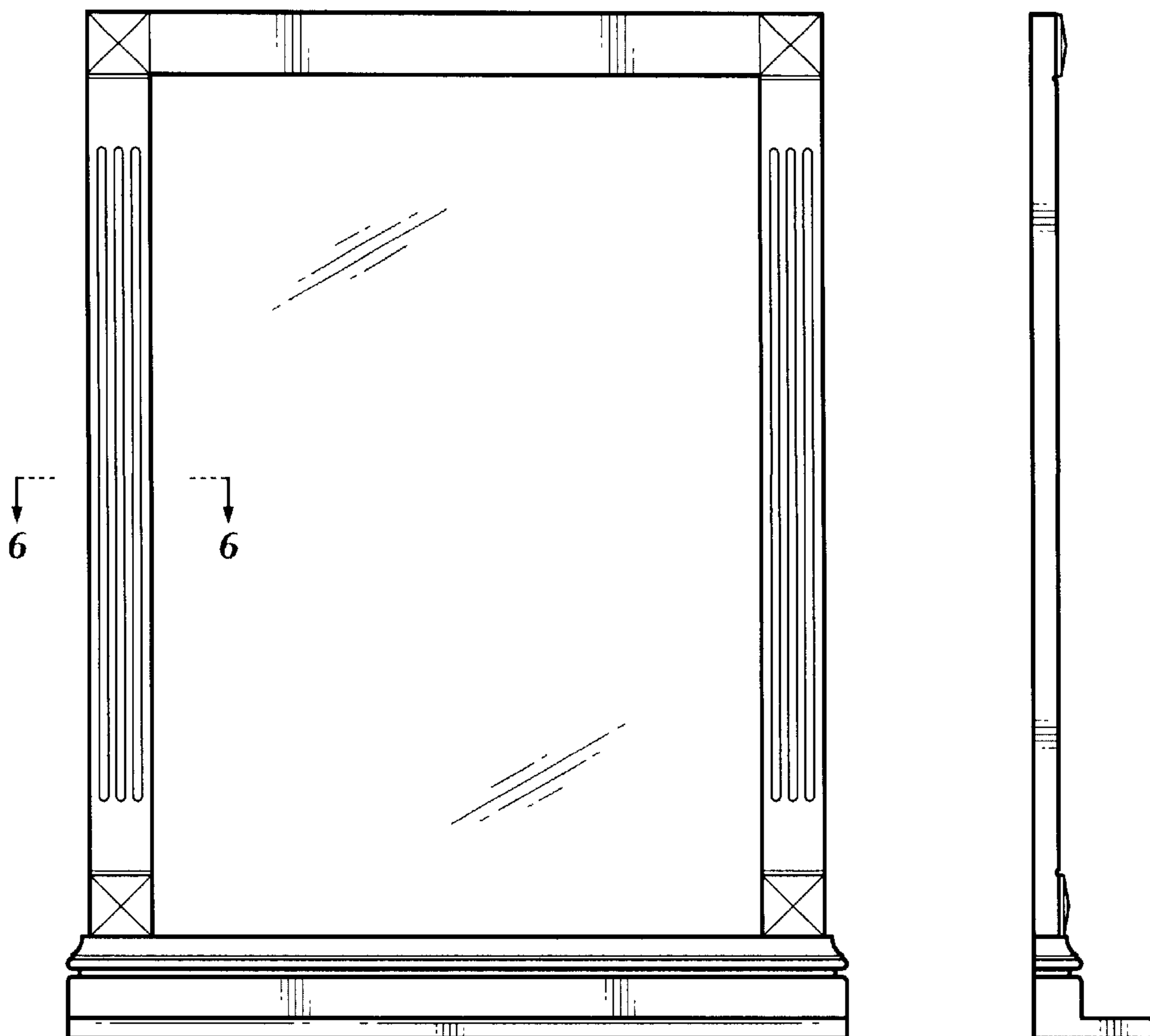
(57) **CLAIM**

The ornamental design for a mirror, as shown and described.

**DESCRIPTION**

FIG. 1 is front elevation view showing my new design.  
FIG. 2 is a left side elevation view of the mirror of FIG. 1,  
the right side elevation view being a mirror-image.  
FIG. 3 is a top end view of the mirror of FIG. 1.  
FIG. 4 is a rear elevation view of the mirror of FIG. 1.  
FIG. 5 is a bottom end view of the mirror of FIG. 1; and,  
FIG. 6 is a partial cross-sectional view of the mirror taken  
along lines 6—6 in FIG. 1.

**1 Claim, 3 Drawing Sheets**



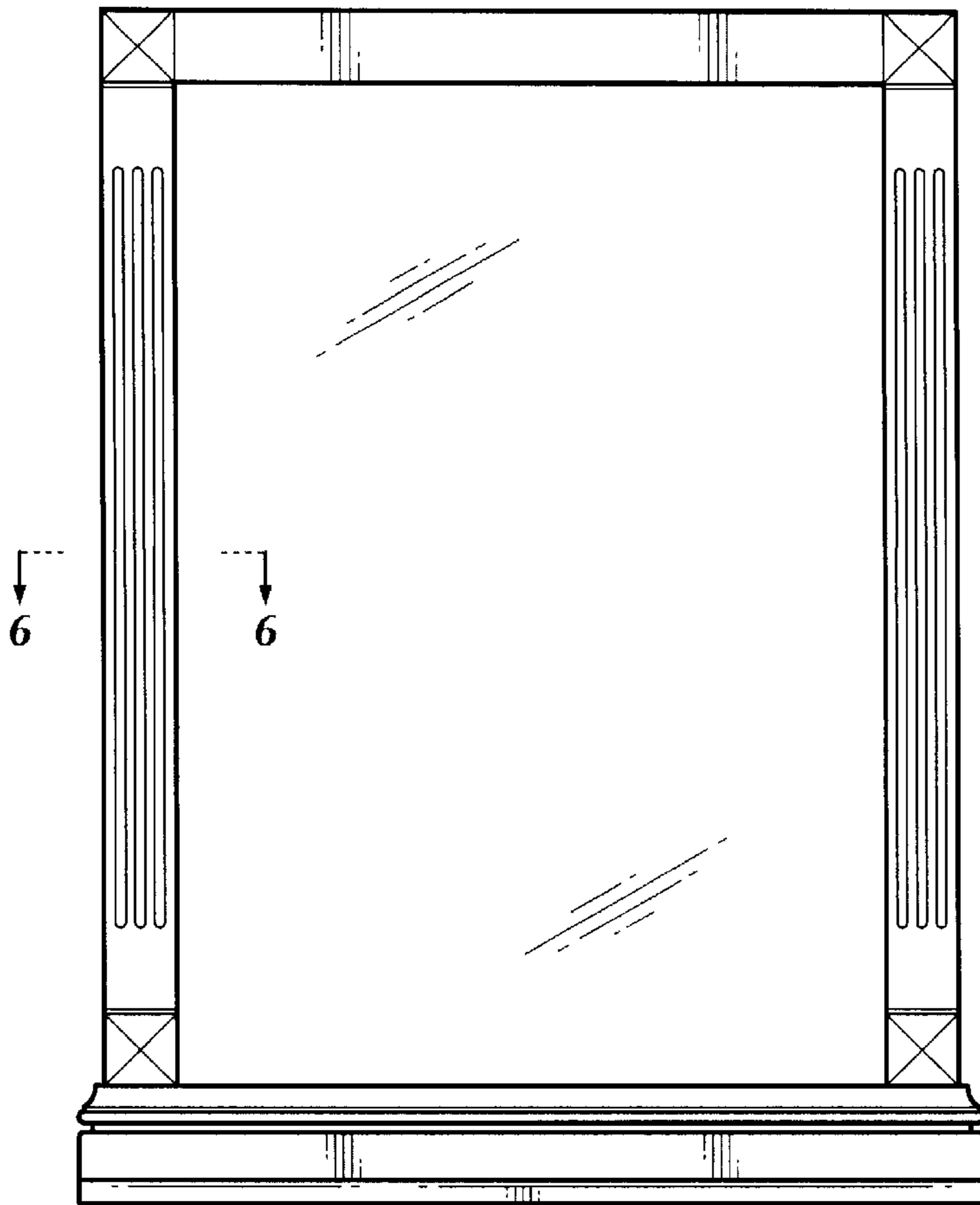
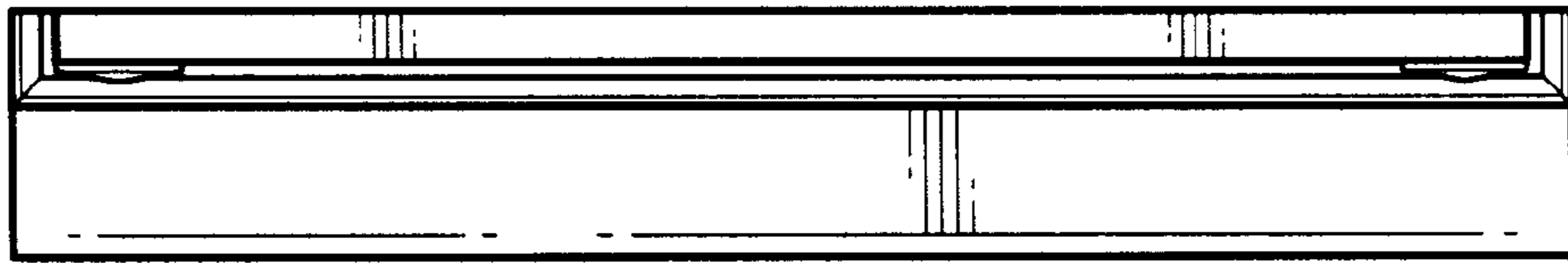


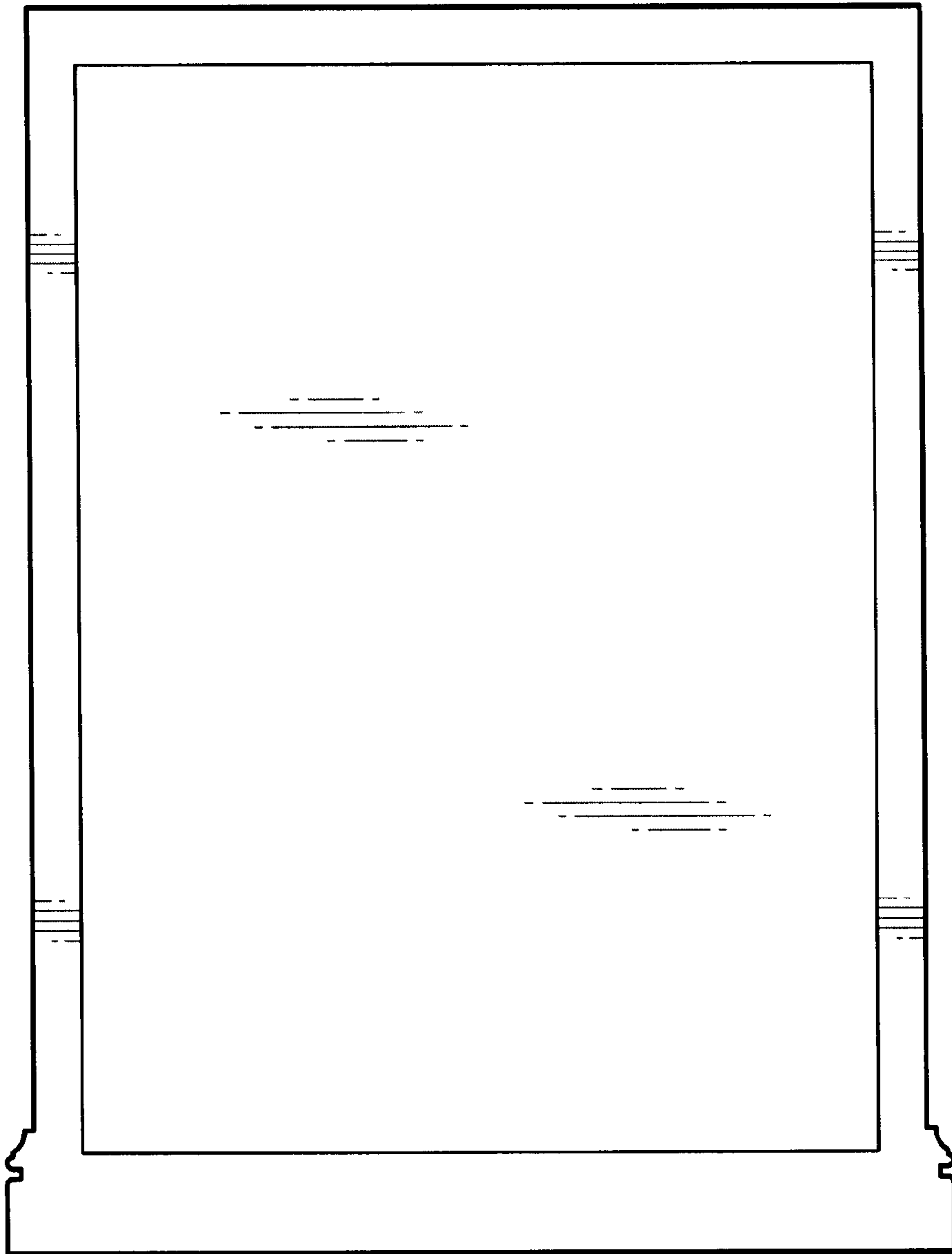
FIG. 1



FIG. 2



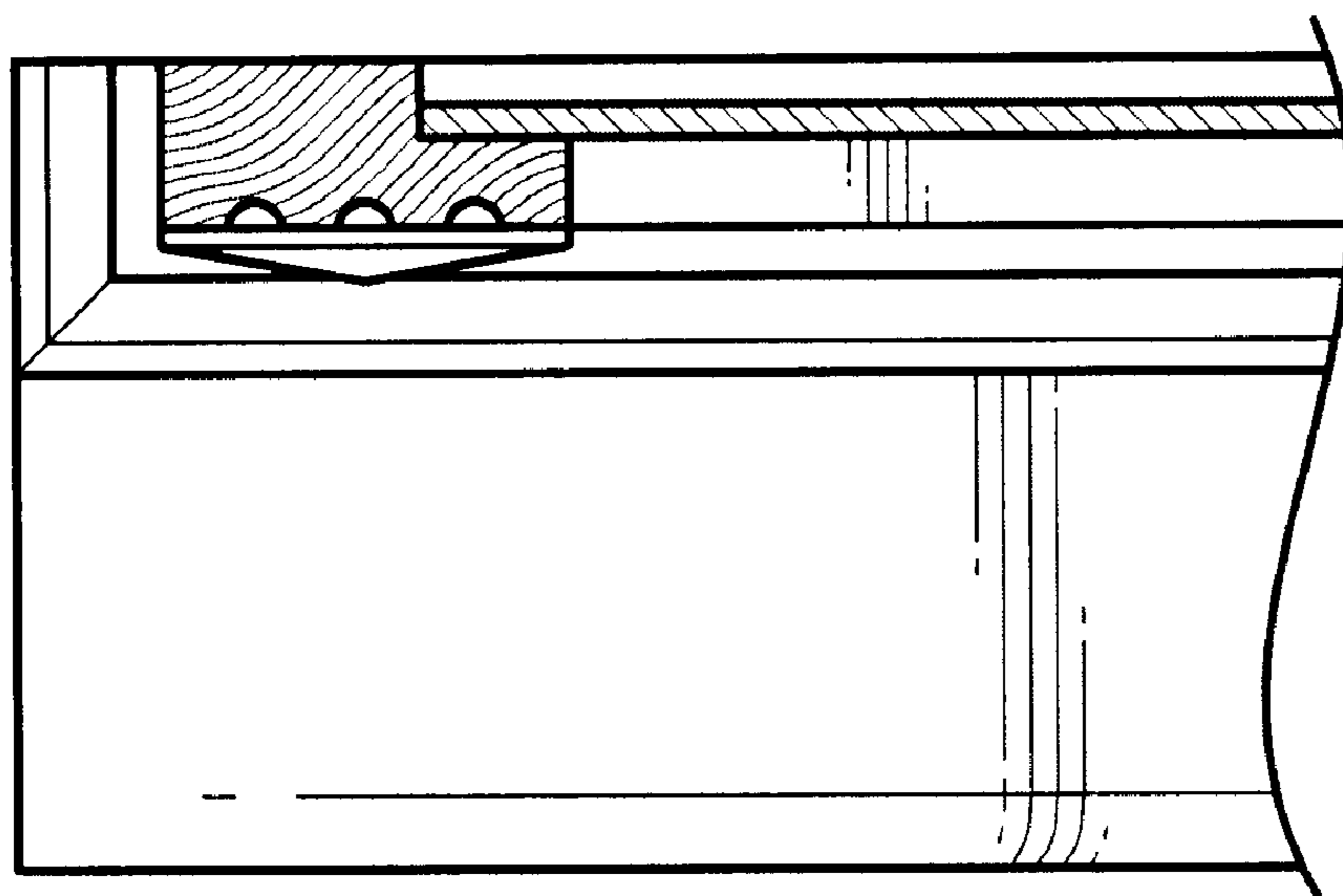
*FIG. 3*



*FIG. 4*



**FIG. 5**



**FIG. 6**