

US00D522751S

(12) **United States Design Patent**
Irwin et al.

(10) **Patent No.:** **US D522,751 S**
(45) **Date of Patent:** **** Jun. 13, 2006**

(54) **CADDY FOR CLEANING SUPPLIES**

(75) Inventors: **John T. Irwin**, Toledo, OH (US);
Stephen A. Dukes, North Baltimore,
OH (US); **Donald T. Soncrant**, Toledo,
OH (US)

(73) Assignee: **Impact Products, Inc.**, Toledo, OH
(US)

(**) Term: **14 Years**

(21) Appl. No.: **29/210,888**

(22) Filed: **Aug. 6, 2004**

(51) **LOC (8) Cl.** **03-01**

(52) **U.S. Cl.** **D3/315**

(58) **Field of Classification Search** D3/305,
D3/304, 313, 315, 901, 904; D32/53, 53.1,
D32/54; 206/349, 518, 234, 372-3; 220/505,
220/506, 507, 500, 752, 756, 904; 15/260,
15/263-4; 224/901, 904

See application file for complete search history.

5,634,568 A 6/1997 Wawrzyniak
D411,674 S 6/1999 Haley et al.
D420,221 S * 2/2000 Williams et al. D3/315
D425,277 S 5/2000 Kent
6,059,109 A 5/2000 Stein
6,062,389 A 5/2000 Kent
6,098,805 A 8/2000 Kent
6,138,963 A 10/2000 Malvasio
6,460,697 B1 10/2002 Stevens
D482,830 S 11/2003 Kohn
D484,700 S 1/2004 Weiser et al.
6,745,895 B1 * 6/2004 Silvers 206/233
D492,846 S * 7/2004 Weiser et al. D3/311
2005/0211707 A1 * 9/2005 Mak et al. 220/23.86

* cited by examiner

Primary Examiner—Louis S. Zarfaz

Assistant Examiner—Kathleen Sims

(74) *Attorney, Agent, or Firm*—Fraser Martin & Miller
LLC; Donald R. Fraser

(57) **CLAIM**

The ornamental design for a caddy for cleaning supplies, as
shown and described.

(56) **References Cited**

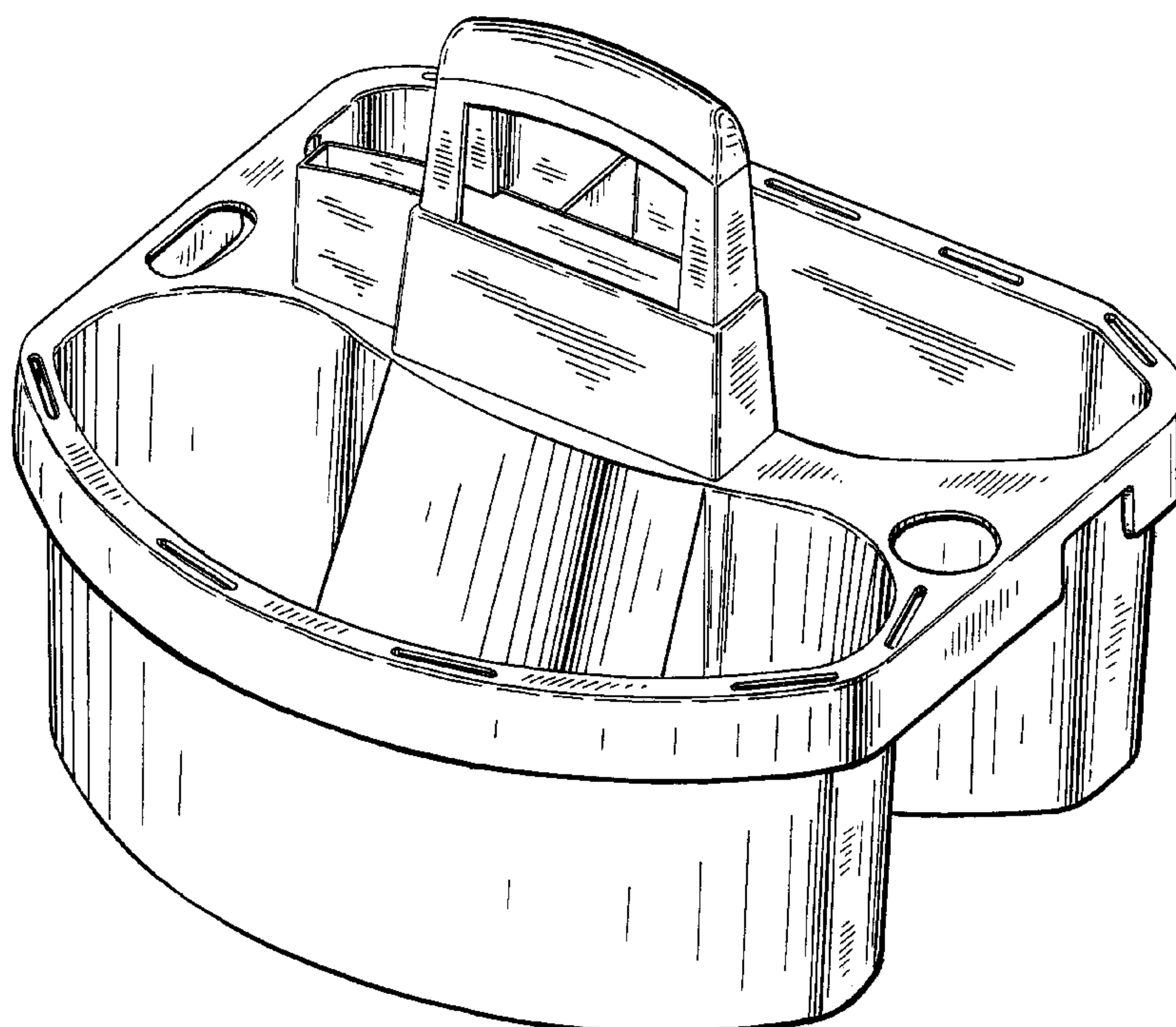
U.S. PATENT DOCUMENTS

4,428,493 A 1/1984 McDonough
4,720,021 A 1/1988 Byrns
5,086,917 A 2/1992 Dziersek et al.
D329,135 S * 9/1992 Embree D3/308
5,400,916 A 3/1995 Weber
5,419,451 A 5/1995 Bitel, Jr.
D361,664 S * 8/1995 Brown D3/315
D364,039 S * 11/1995 Kruger D3/315
D372,125 S * 7/1996 Frazier D3/315

DESCRIPTION

FIG. 1 is a perspective view of a caddy for cleaning supplies
incorporating our new design;
FIG. 2 is a front elevational view thereof;
FIG. 3 is a rear elevational view thereof;
FIG. 4 is a left side elevation view thereof;
FIG. 5 is a right side elevational view thereof;
FIG. 6 is a top plan view thereof; and,
FIG. 7 is a bottom plan view thereof.

1 Claim, 7 Drawing Sheets



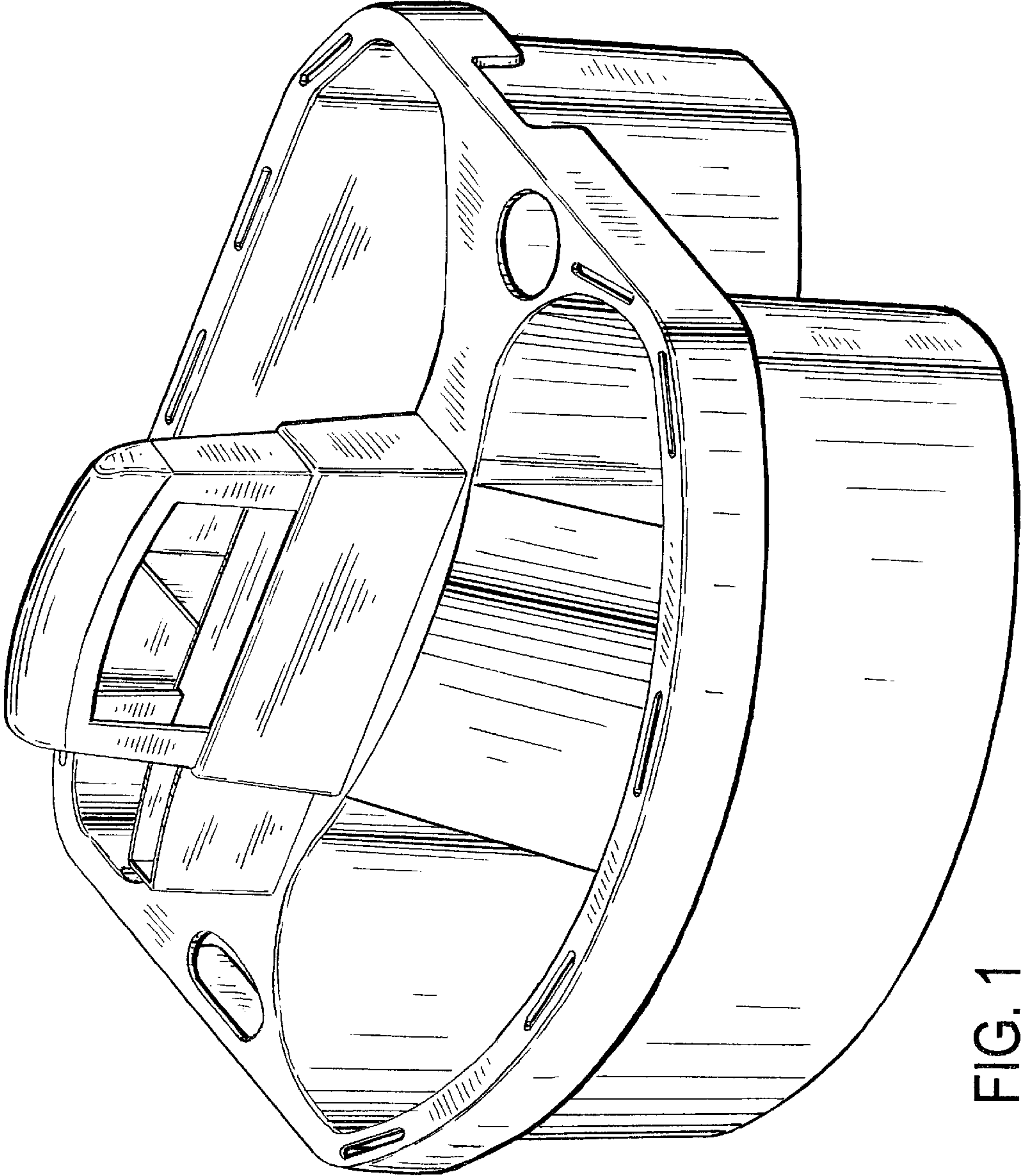


FIG. 1

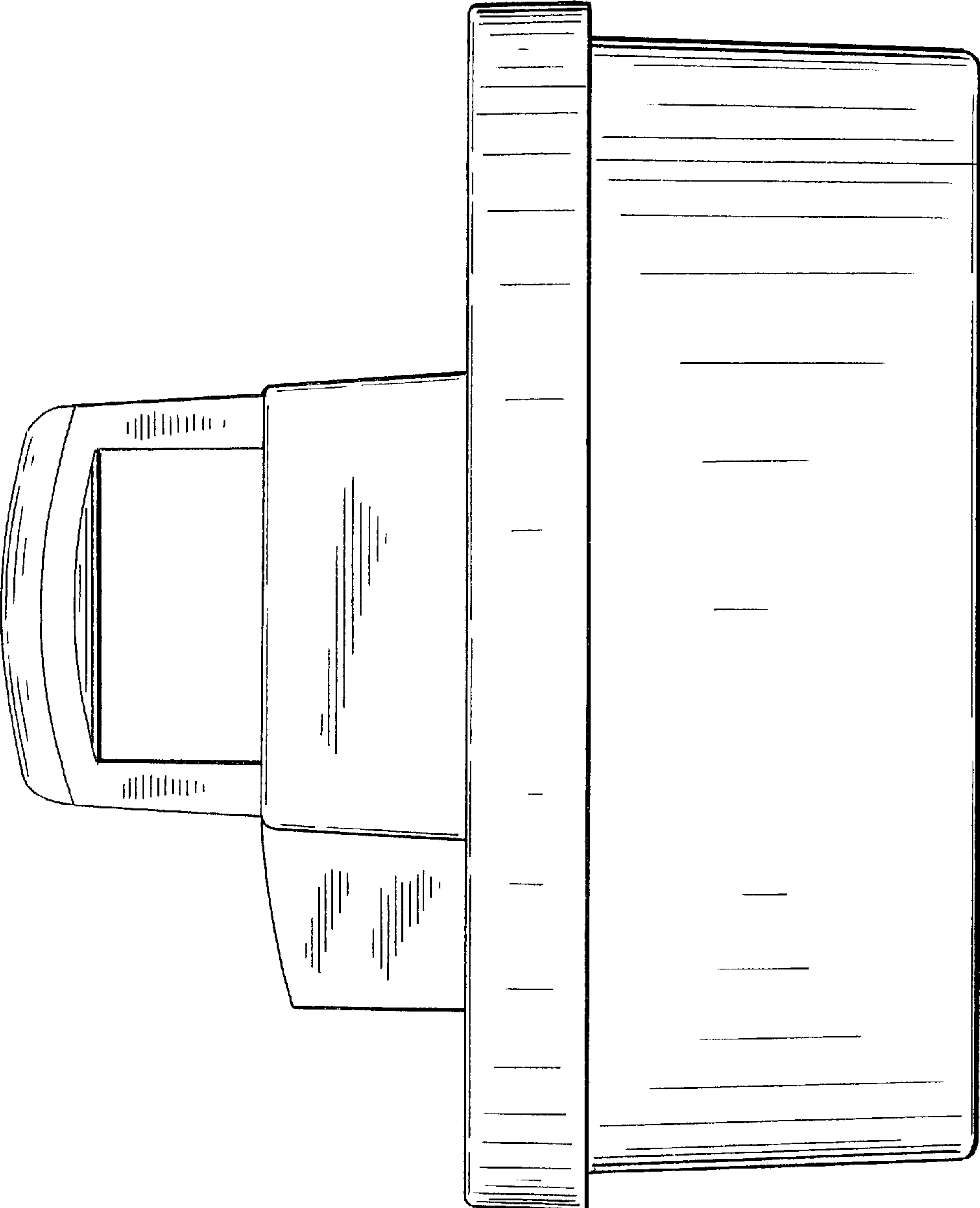


FIG. 2

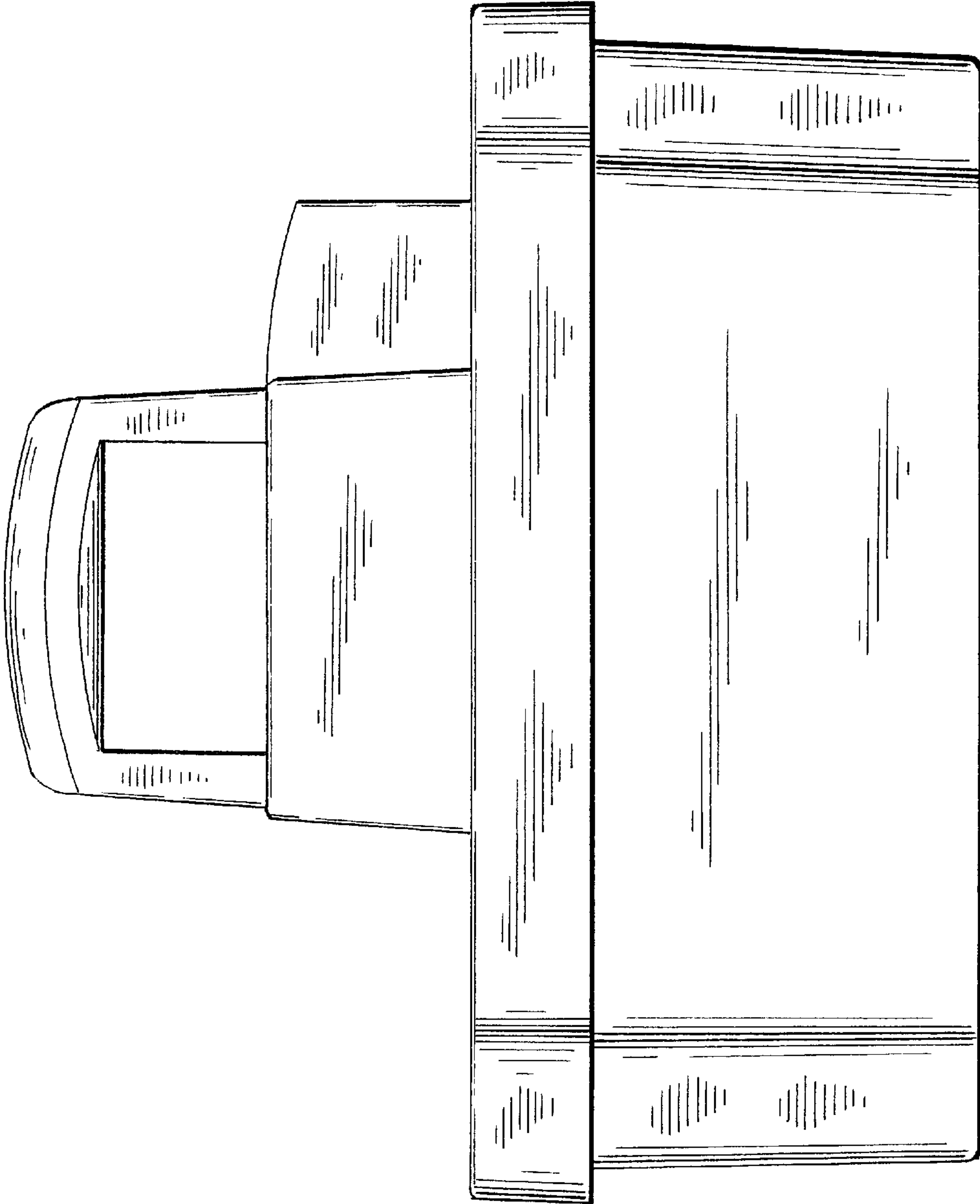


FIG. 3

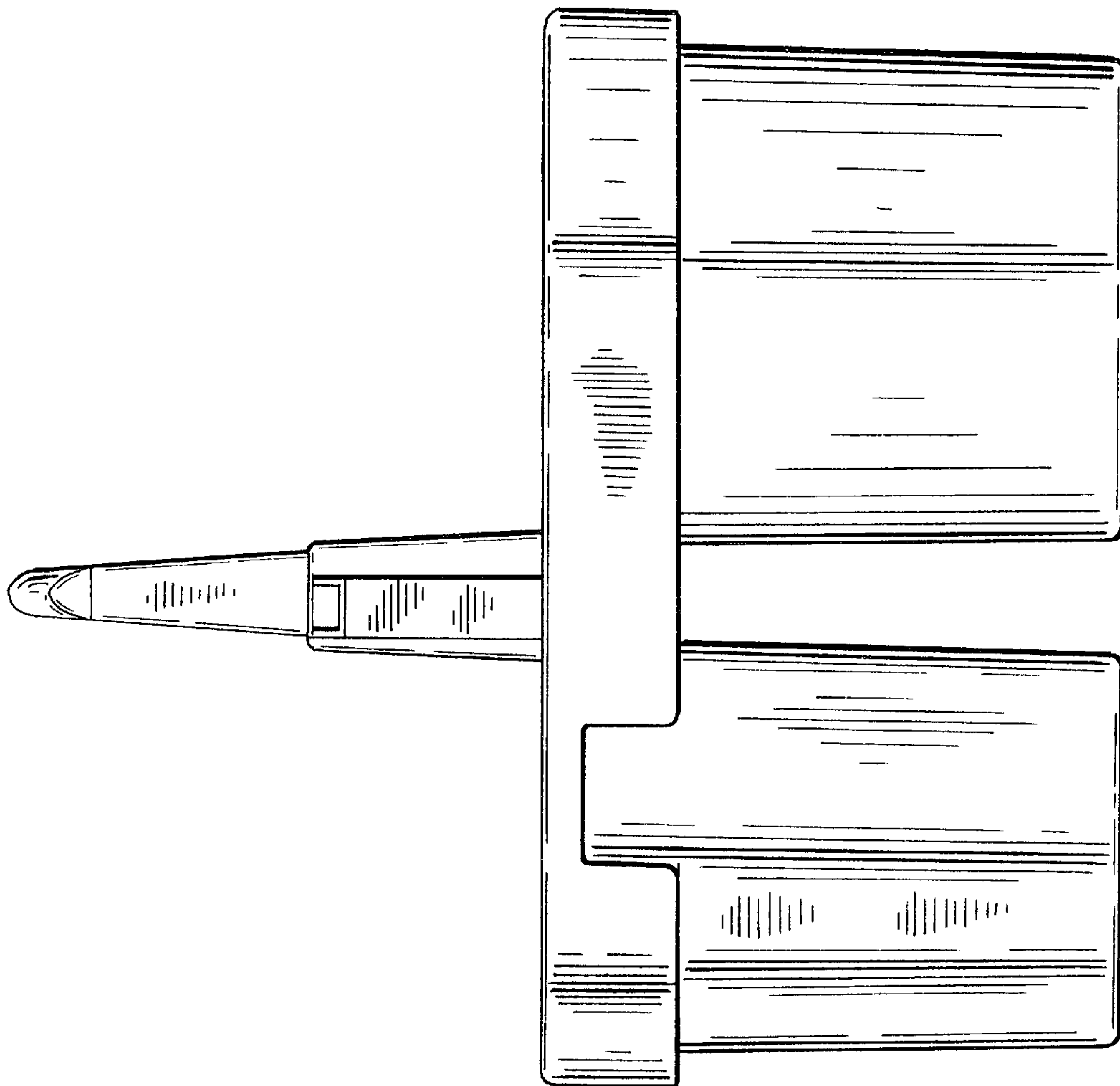


FIG. 4

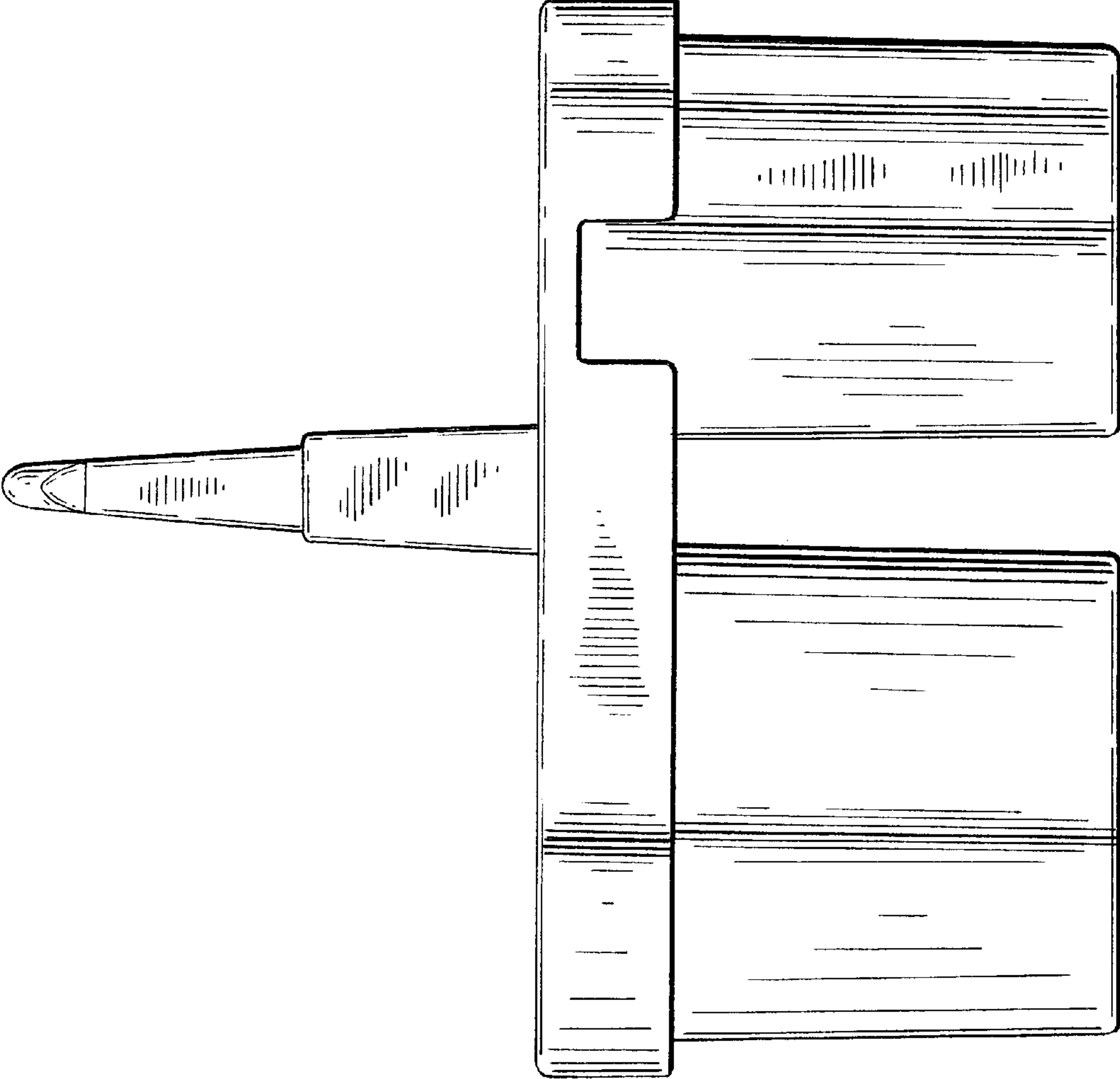


FIG. 5

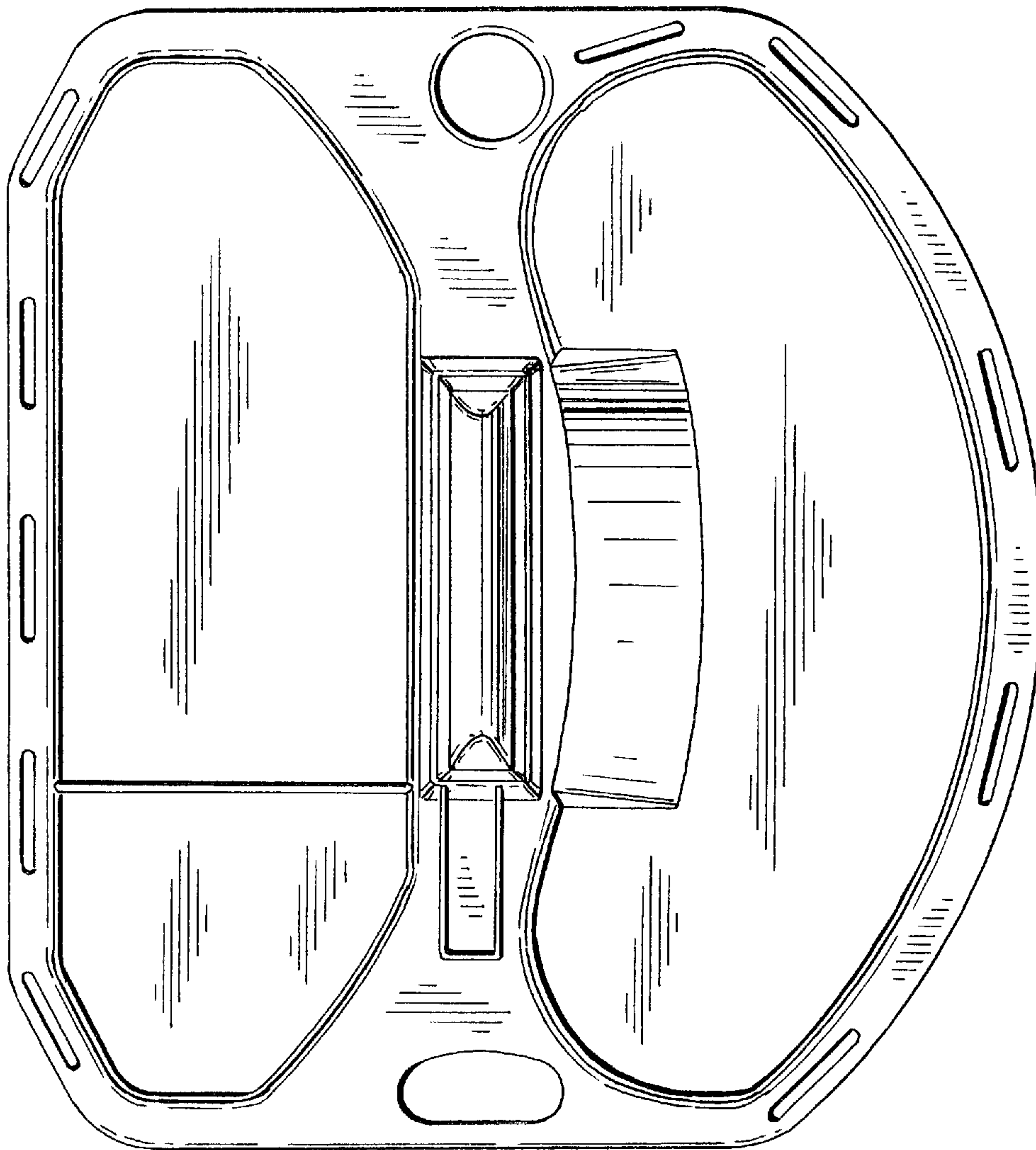


FIG. 6

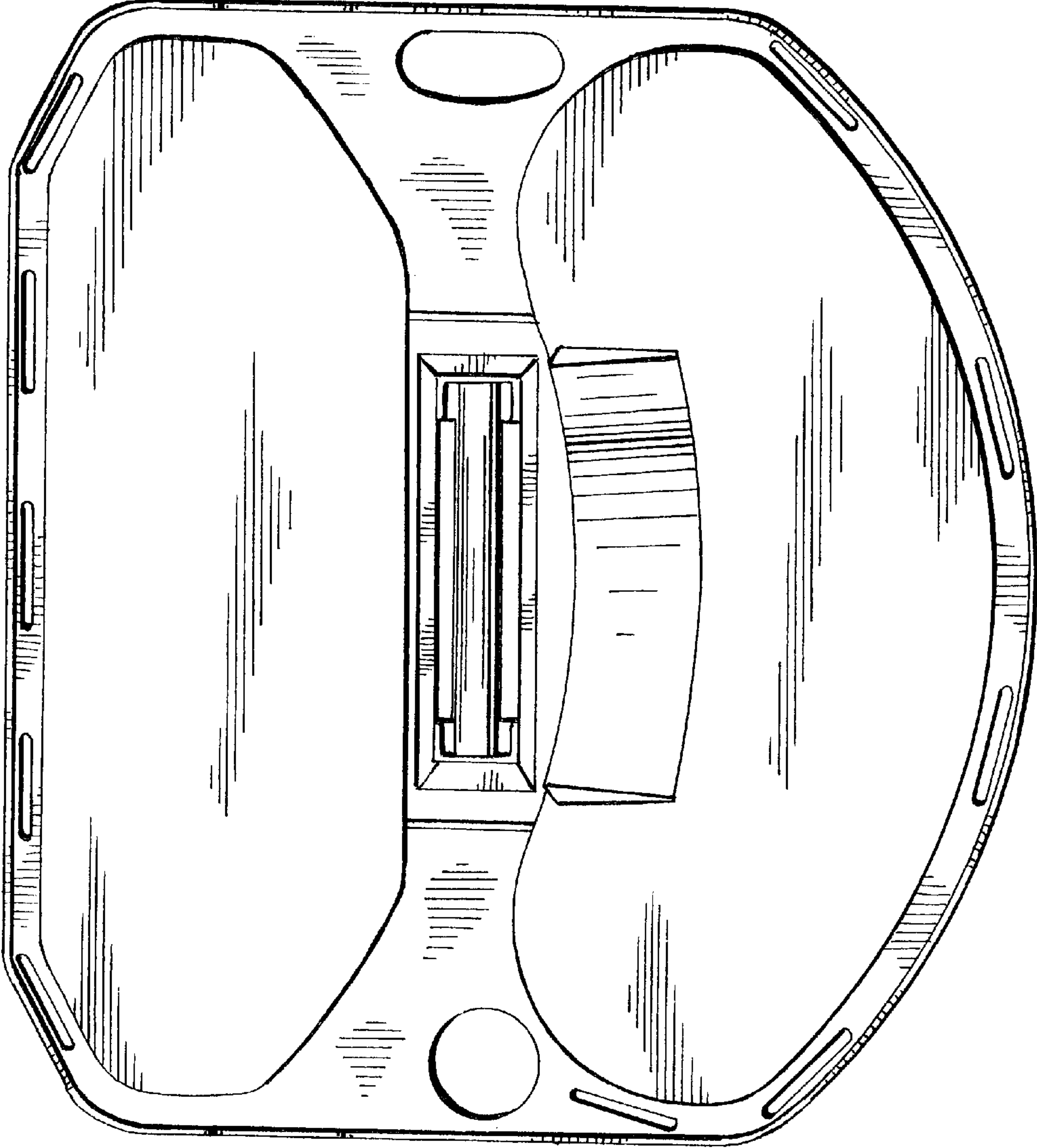


FIG. 7