

US00D522746S

(12) **United States Design Patent**
Perella et al.

(10) **Patent No.:** **US D522,746 S**

(45) **Date of Patent:** **** Jun. 13, 2006**

(54) **STORAGE DEVICE**

(75) Inventors: **Daniel Perella**, Hudson, OH (US);
Anthony Decarlo, Bay Village, OH
(US); **Vincent Thomson**, Avon Lake,
OH (US)

(73) Assignee: **Ideastream Consumer Products LLC**,
Parma, OH (US)

(**) Term: **14 Years**

(21) Appl. No.: **29/213,852**

(22) Filed: **Sep. 24, 2004**

Related U.S. Application Data

(62) Division of application No. 29/181,736, filed on May 16,
2003, now Pat. No. Des. 500,922.

(51) **LOC (8) Cl.** **03-01**

(52) **U.S. Cl.** **D3/276**

(58) **Field of Classification Search** D3/272,
D3/273, 276, 281, 282, 291, 294, 900, 321;
190/900, 100, 124, 127

See application file for complete search history.

(56) **References Cited**

U.S. PATENT DOCUMENTS

D129,108 S	8/1941	Sprague
D247,993 S	5/1978	Calzone, III
4,509,622 A	4/1985	Morszeck
D285,626 S	9/1986	Yen
D288,863 S	3/1987	Vuitton

4,669,587 A	6/1987	Zitt
D378,164 S	2/1997	Lee
D414,037 S	9/1999	Akaike et al.
D415,614 S	10/1999	Akaike et al.
D439,044 S	3/2001	Cheng
D467,423 S	12/2002	Wolf

Primary Examiner—Philip S. Hyder

(74) *Attorney, Agent, or Firm*—Pillsbury Winthrop Shaw
Pittman, LLP

(57) **CLAIM**

The ornamental design for a storage device, as shown and
described.

DESCRIPTION

A portion of the disclosure of this patent document contains
material to which a claim for copyright is made. The
copyright owner has no objection to the facsimile reproduc-
tion of the patent document or the patent disclosure, as it
appears in the Patent and Trademark Office patent file or
records, but reserves all other copyrights whatsoever.

FIG. 1 is a perspective view of a storage device embodying
our new design;

FIG. 2 is a left side profile view of the storage device of FIG.
1;

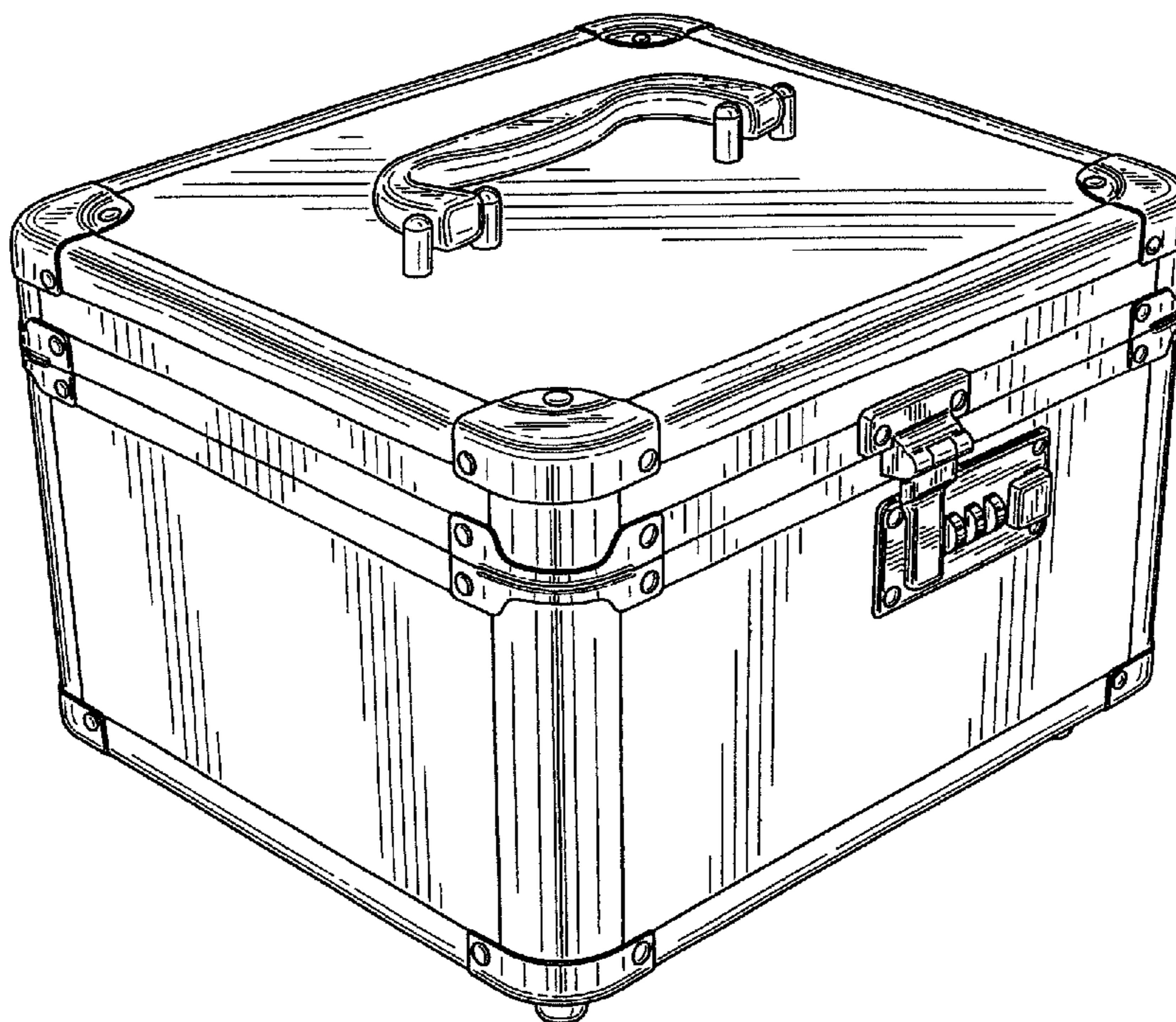
FIG. 3 is a right side profile view of the storage device of
FIG. 1;

FIG. 4 is a front elevational view of the storage device of
FIG. 1;

FIG. 5 is a rear elevational view of the storage device of FIG.
1; and,

FIG. 6 is a top plan view of the storage device of FIG. 1.

1 Claim, 6 Drawing Sheets



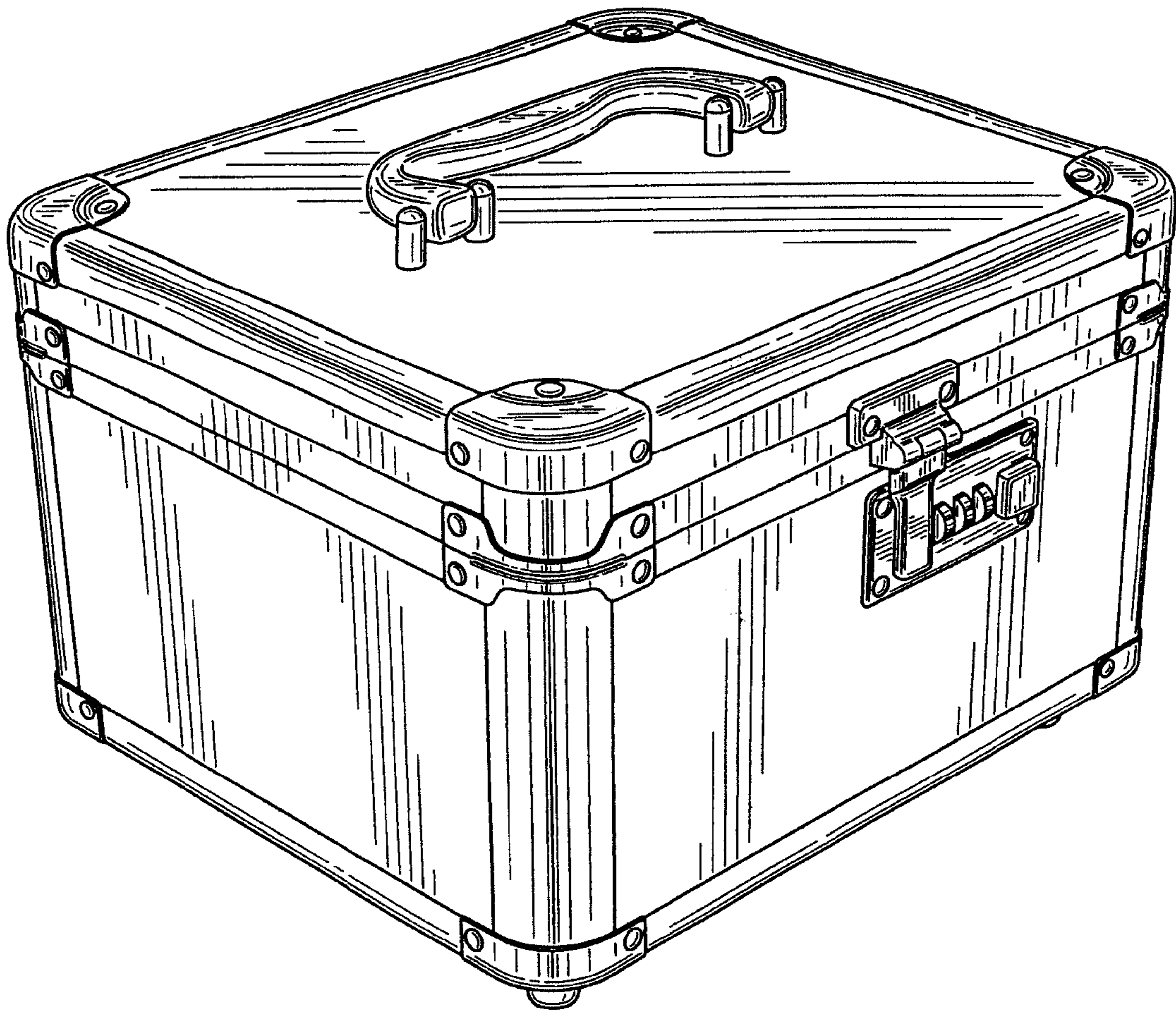


FIG. 1

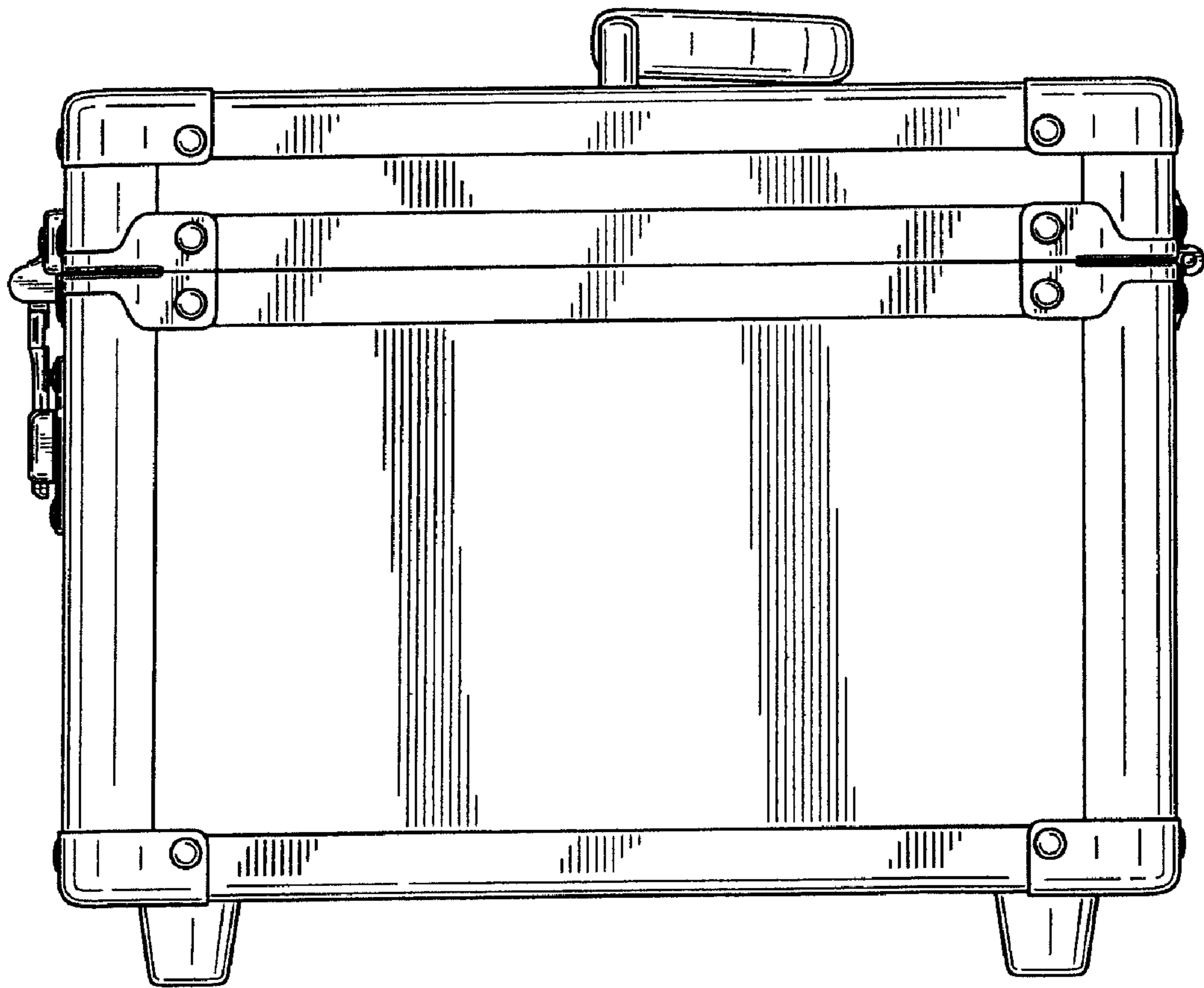


FIG. 2

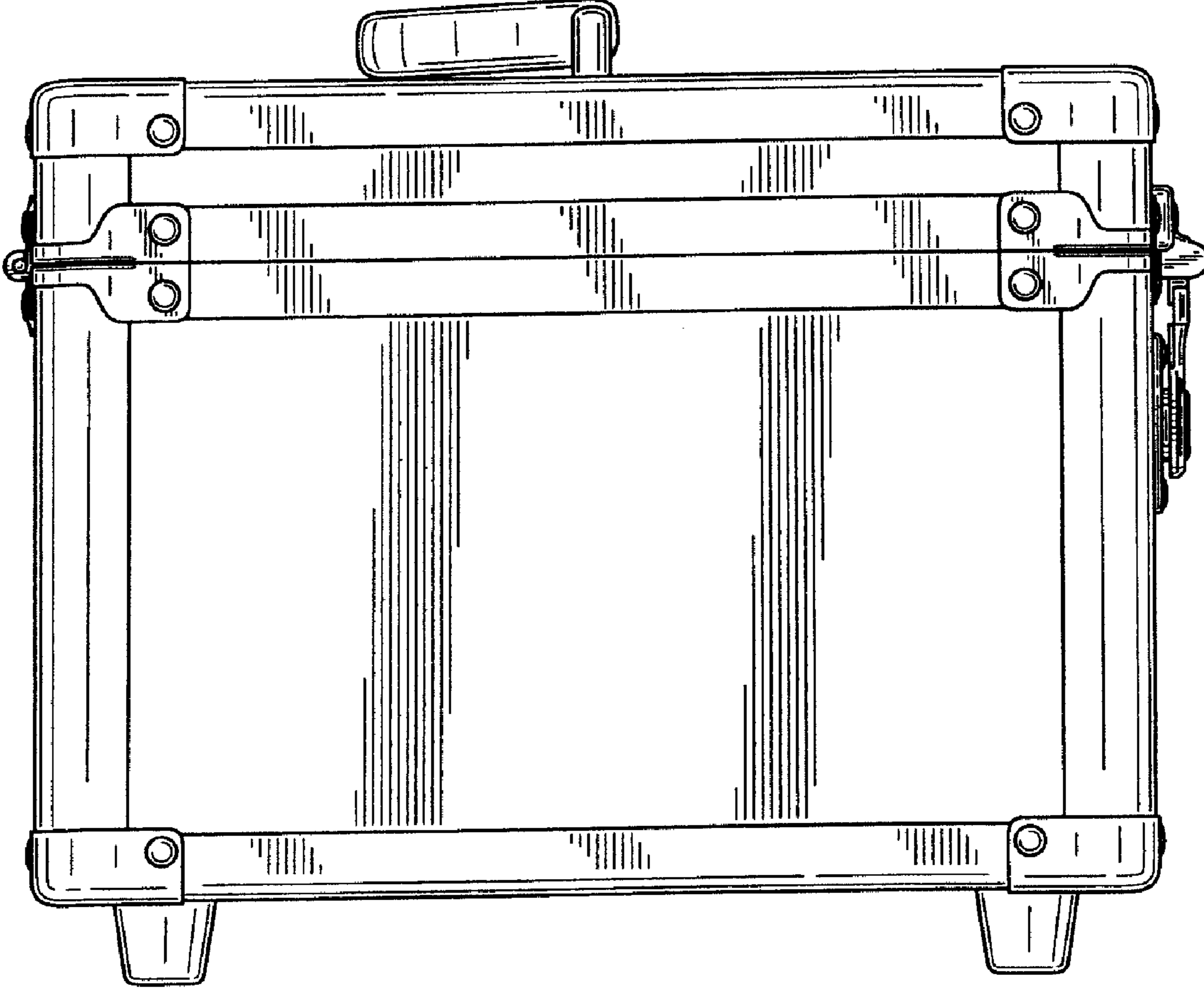


FIG. 3

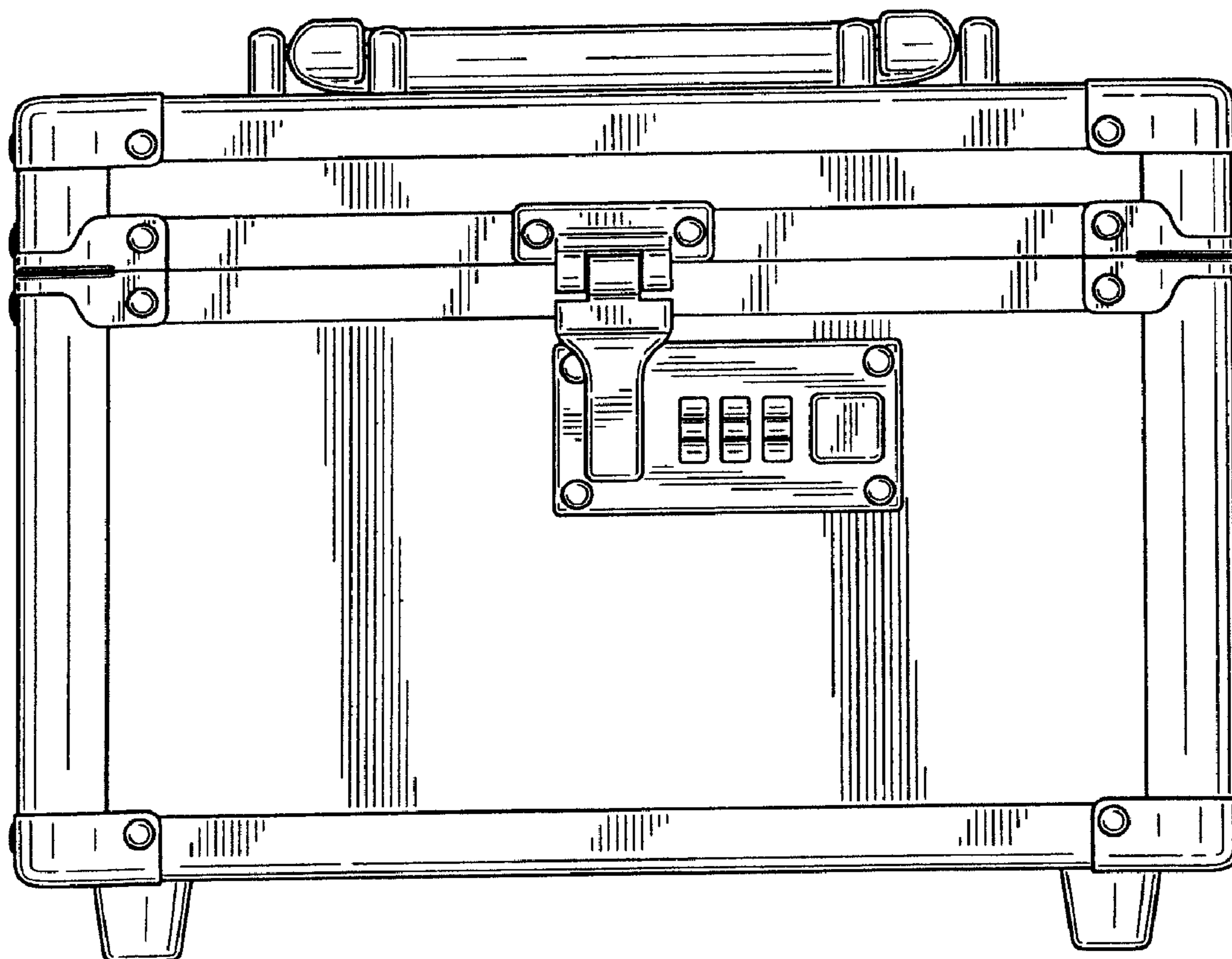


FIG. 4

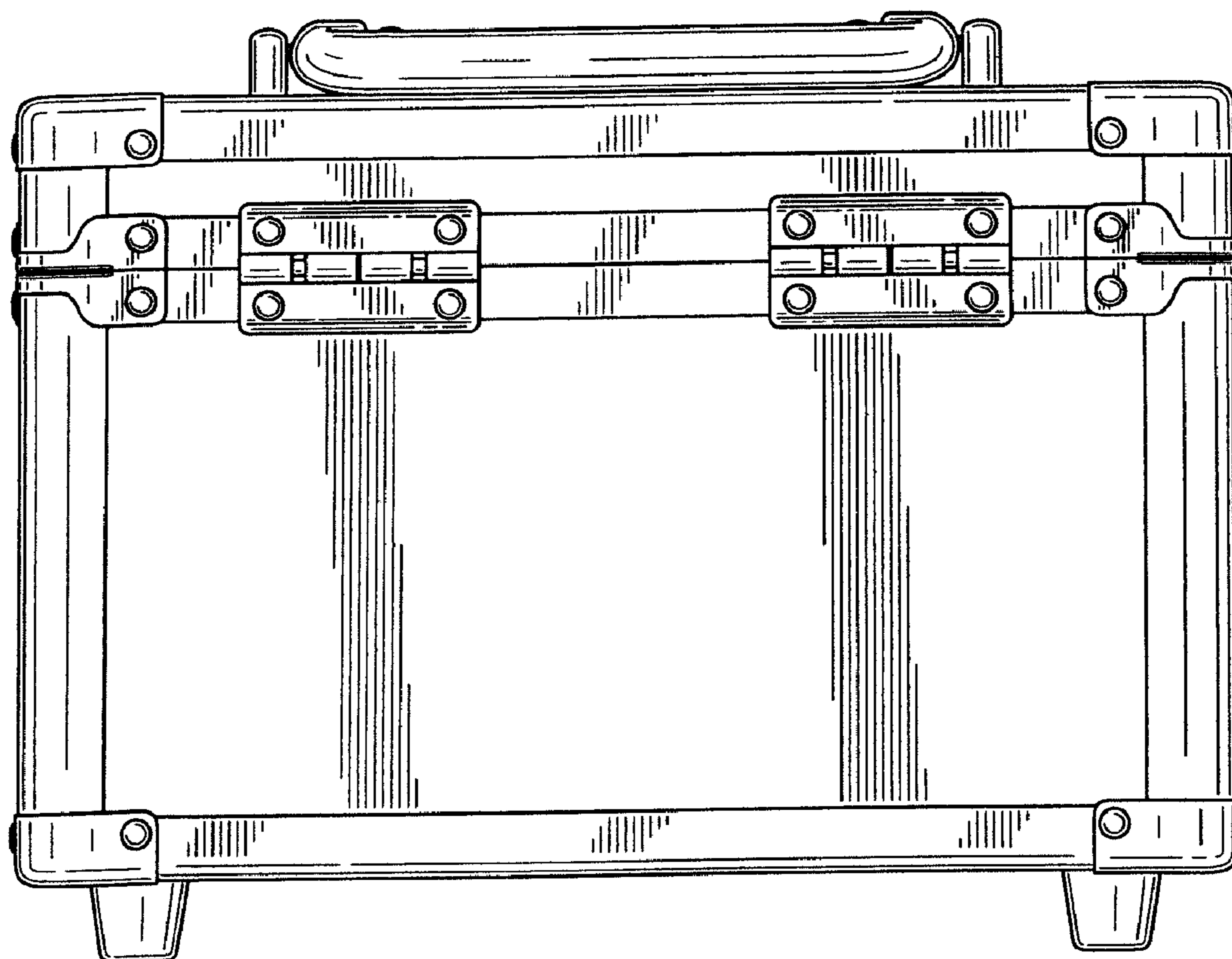


FIG. 5

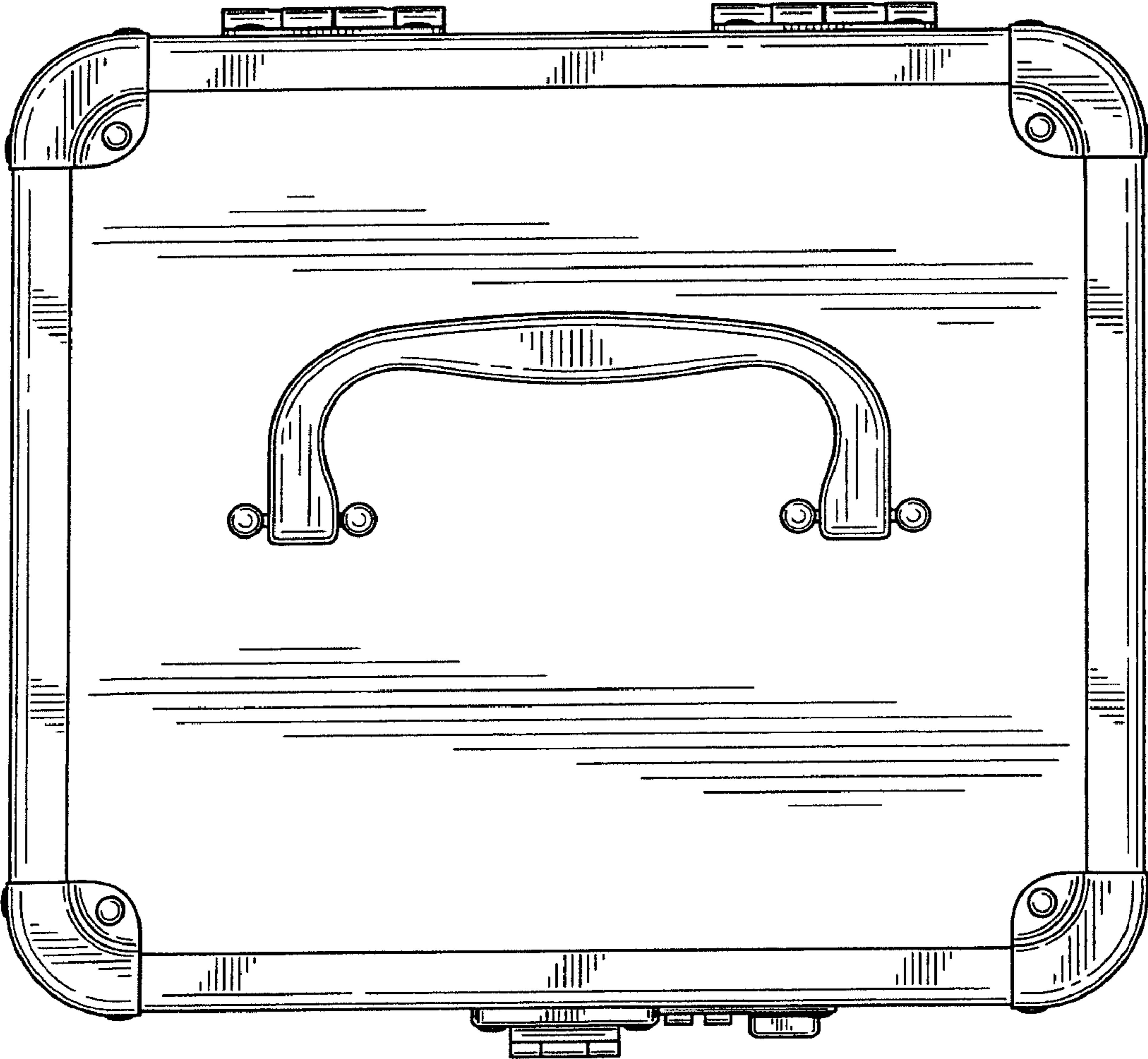


FIG. 6