



US00D522745S

(12) **United States Design Patent**
Gonzalez

(10) **Patent No.:** **US D522,745 S**
(45) **Date of Patent:** **** Jun. 13, 2006**

(54) **HANDBAG**

D491,466 S * 6/2004 Man D3/246
D504,013 S * 4/2005 Carty D3/219

(75) Inventor: **Alvaro Gonzalez**, Florence (IT)

OTHER PUBLICATIONS

(73) Assignee: **J. Choo (Jersey) Limited**, St. Helier (GB)

U.S. Appl. No. 29/214,186; filed Sep. 29, 2004.
U.S. Appl. No. 29/215,079; filed Oct. 13, 2004.
U.S. Appl. No. 29/215,211; filed Oct. 15, 2004.

(**) Term: **14 Years**

* cited by examiner

(21) Appl. No.: **29/221,719**

Primary Examiner—Ian Simmons

(22) Filed: **Jan. 18, 2005**

Assistant Examiner—Melanie Levy

(30) **Foreign Application Priority Data**

(74) *Attorney, Agent, or Firm*—Fross Zelnick Lehrman & Zissu, P.C.; Lawrence E. Apolozon, Esq.

Sep. 28, 2004 (EM) 000234901-0003

(57) **CLAIM**

(51) **LOC (8) Cl.** **03-01**

The ornamental design for a handbag, as shown and described.

(52) **U.S. Cl.** **D3/243**

(58) **Field of Classification Search** D3/232–253,
D3/303, 305, 318, 322, 324; 150/100, 107,
150/108, 110, 109, 118, 130, 900, 190, 121;
383/907

DESCRIPTION

See application file for complete search history.

FIG. 1 is a front perspective view of a handbag showing my handbag design with the shoulder strap not extended; FIG. 2 is a front view of the handbag shown in FIG. 1; FIG. 3 is a rear view of the handbag shown in FIG. 1; FIG. 4 is a right side view of the handbag shown in FIG. 1; FIG. 5 is a left side view of the handbag shown in FIG. 1; FIG. 6 is a top view of the handbag shown in FIG. 1; FIG. 7 is a bottom view of the handbag shown in FIG. 1; and, FIG. 8 is a front perspective view of the handbag shown in FIG. 1 in an open position with the shoulder strap extended. The broken lines are for illustrative purposes only and forms no part of the claimed design.

(56) **References Cited**

U.S. PATENT DOCUMENTS

D107,719 S * 12/1937 Felmann D3/246
D139,243 S * 10/1944 Hiltenbrand D3/241
D143,226 S * 12/1945 Kaufman D3/239
D164,621 S * 9/1951 Bienen D3/233
D235,690 S 7/1975 Barad
D262,668 S * 1/1982 Robitaille D3/324
D283,081 S * 3/1986 Hansen D3/246
D359,166 S * 6/1995 Ford D3/243
D404,203 S * 1/1999 Maier-Aichen D3/303

1 Claim, 8 Drawing Sheets



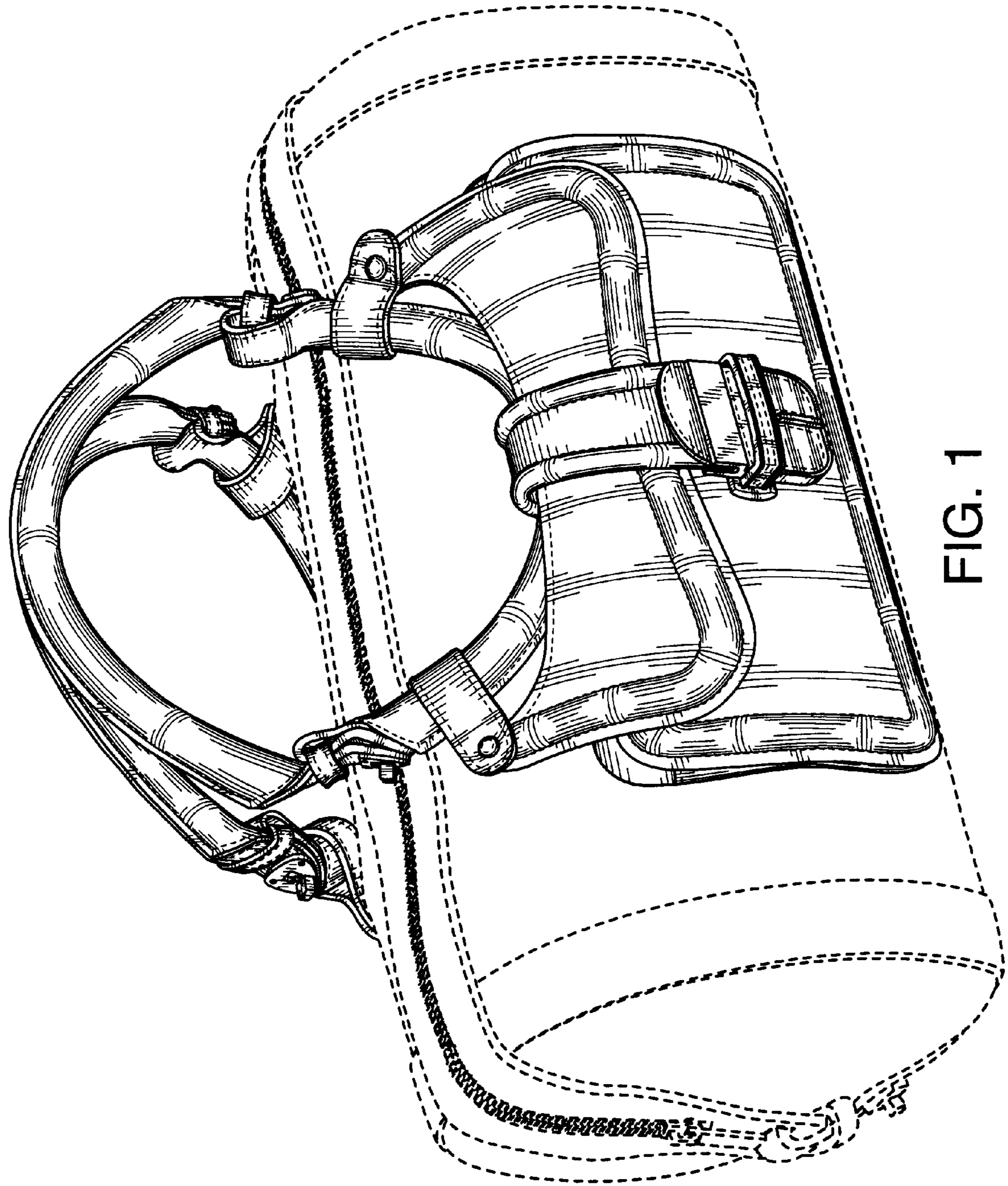


FIG. 1

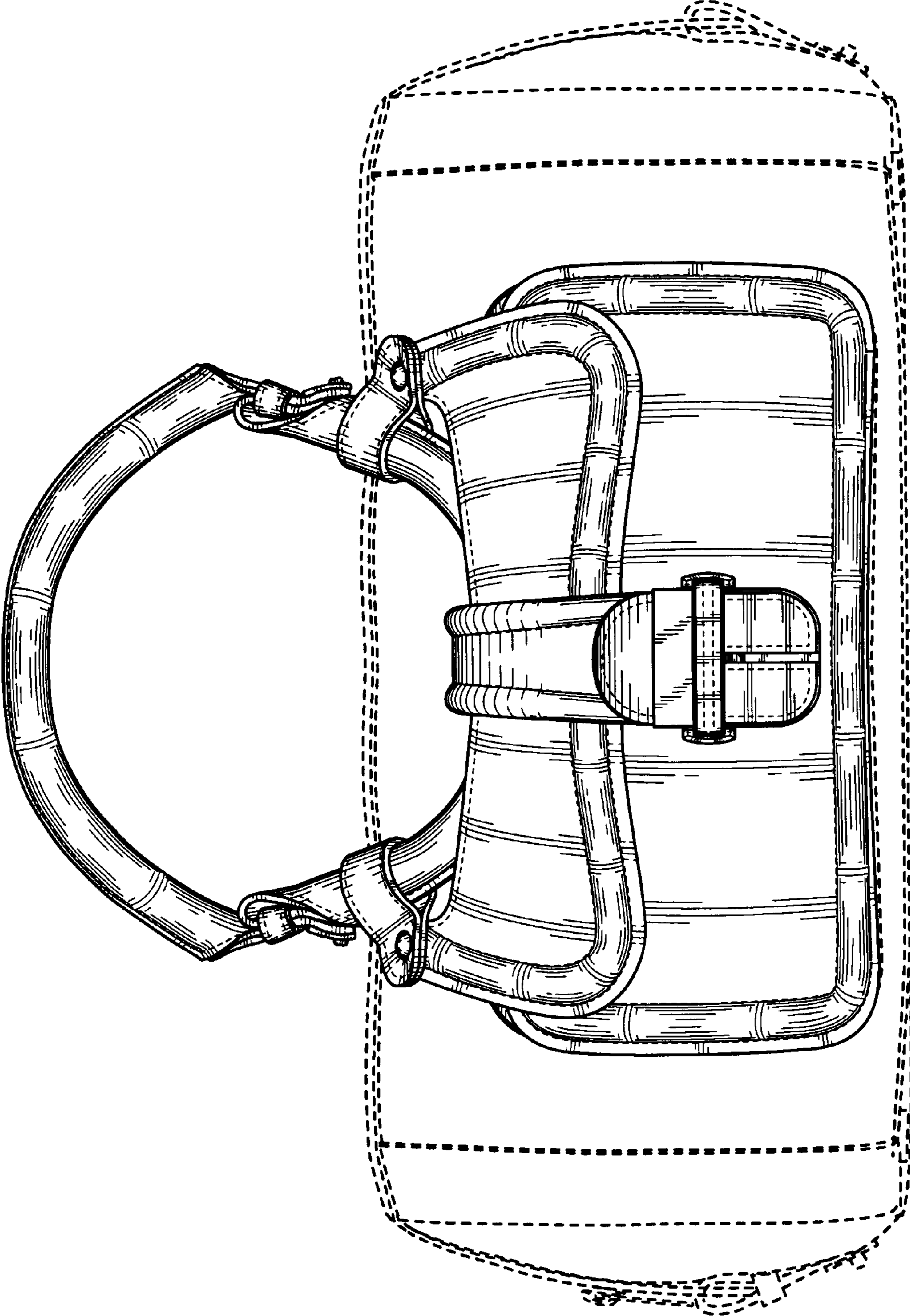


FIG. 2

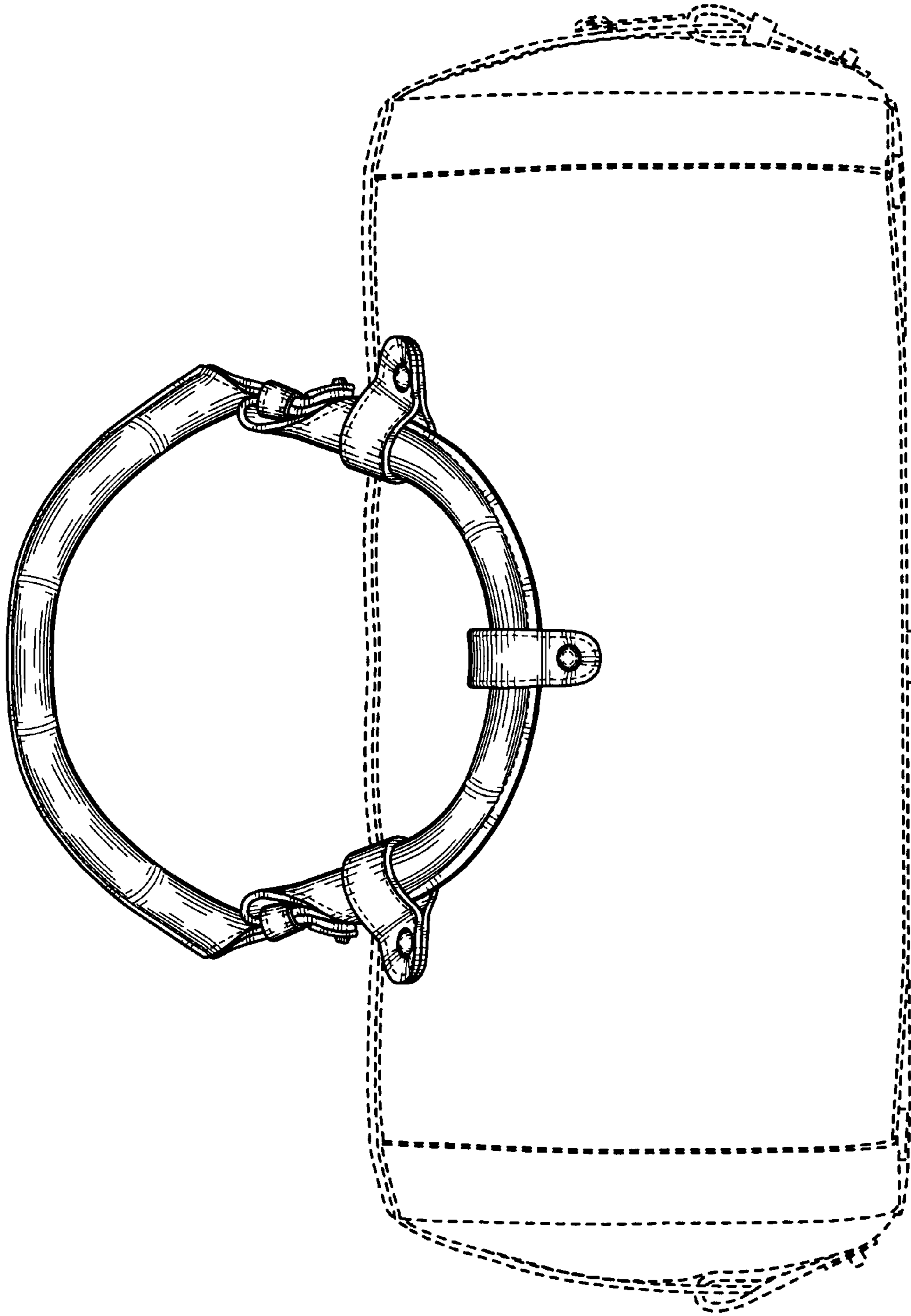


FIG. 3

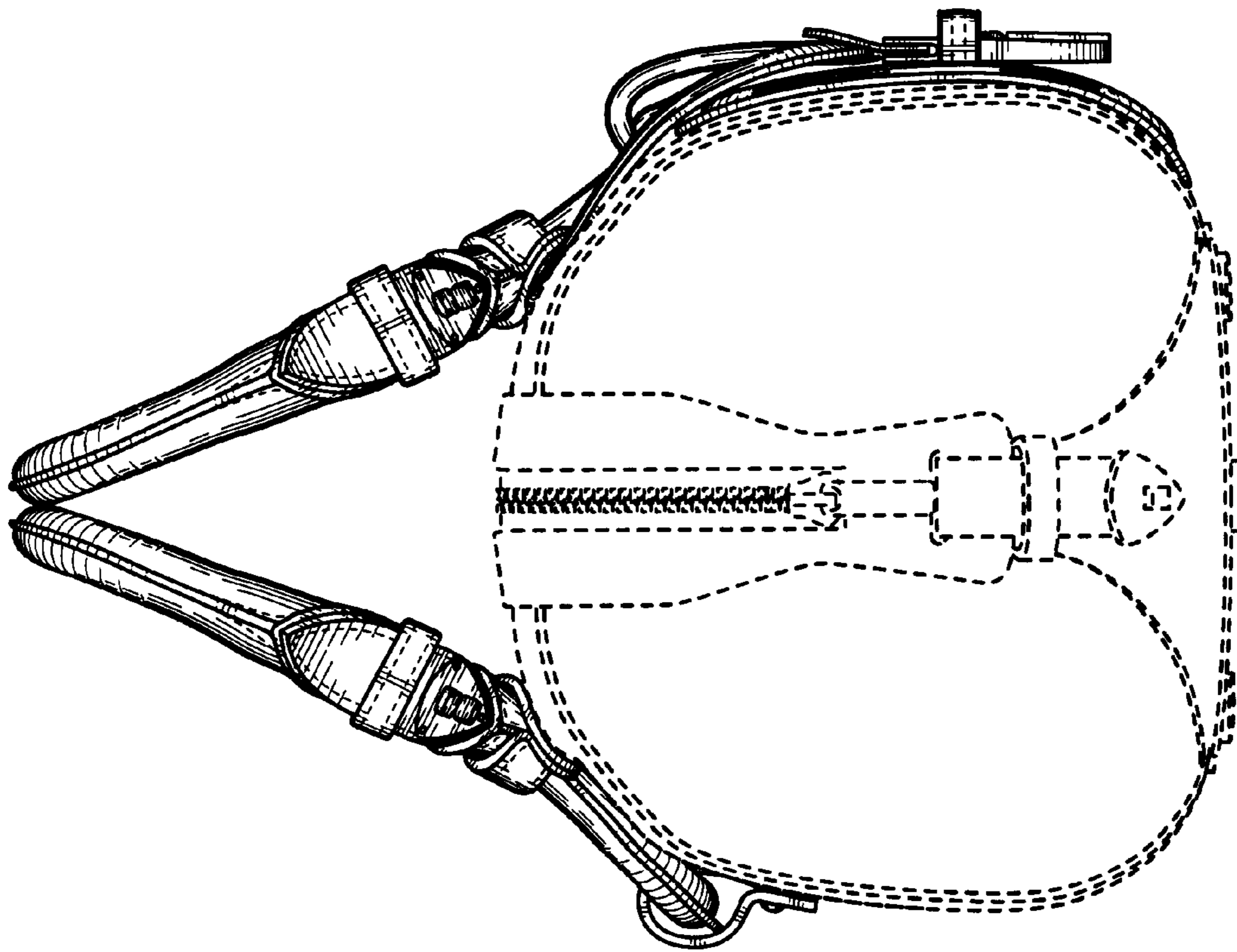


FIG. 4

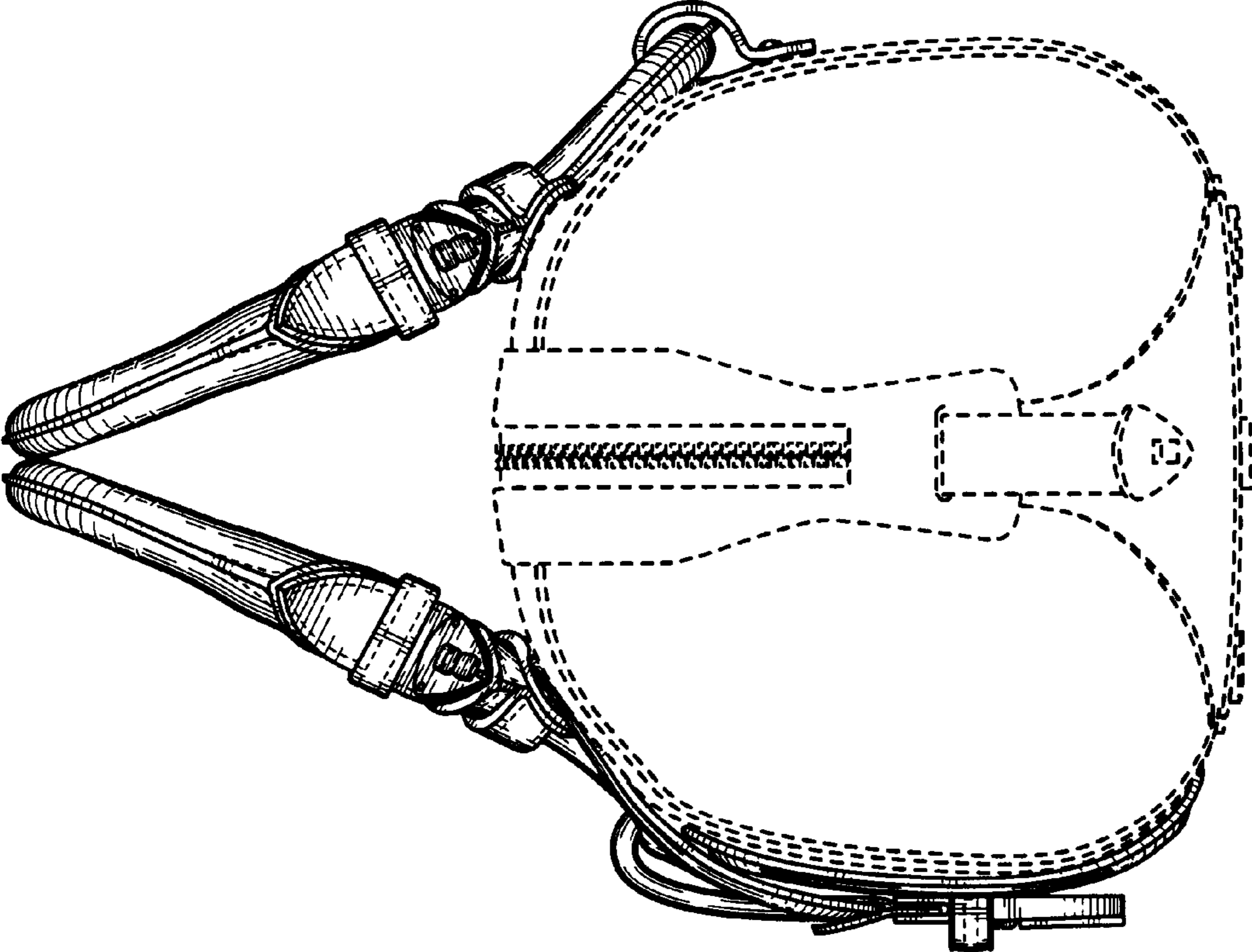


FIG. 5

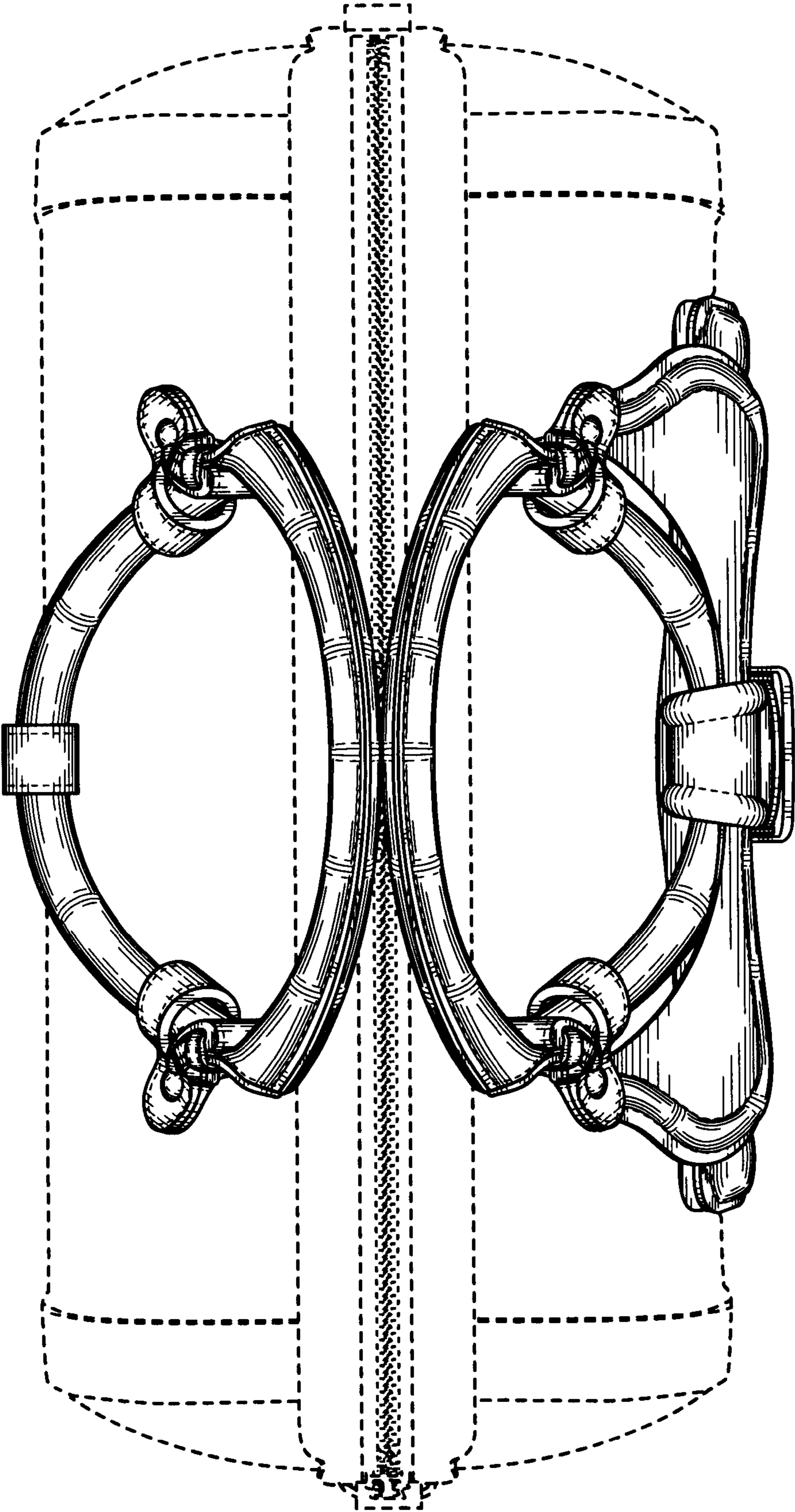


FIG. 6

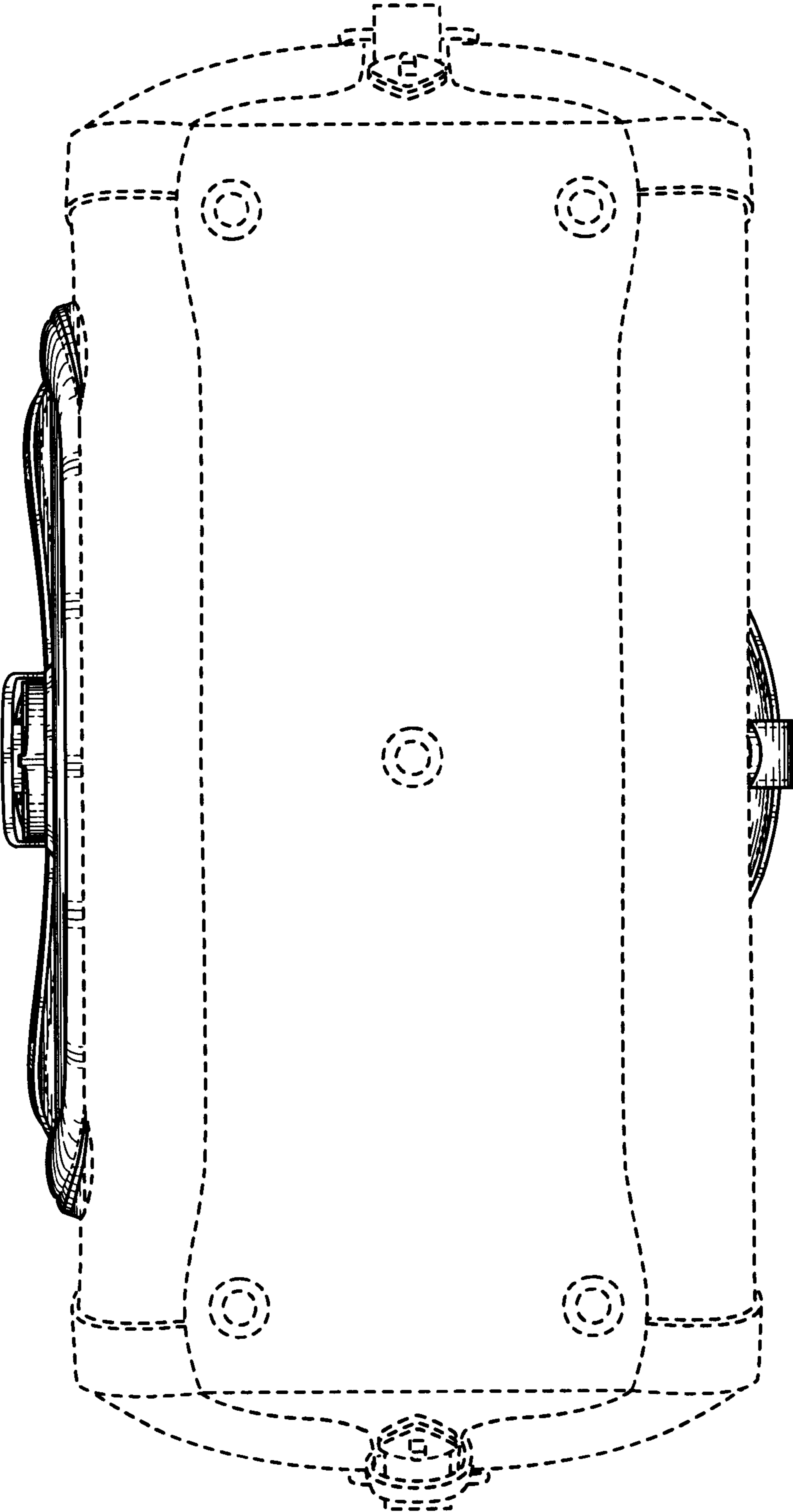


FIG. 7

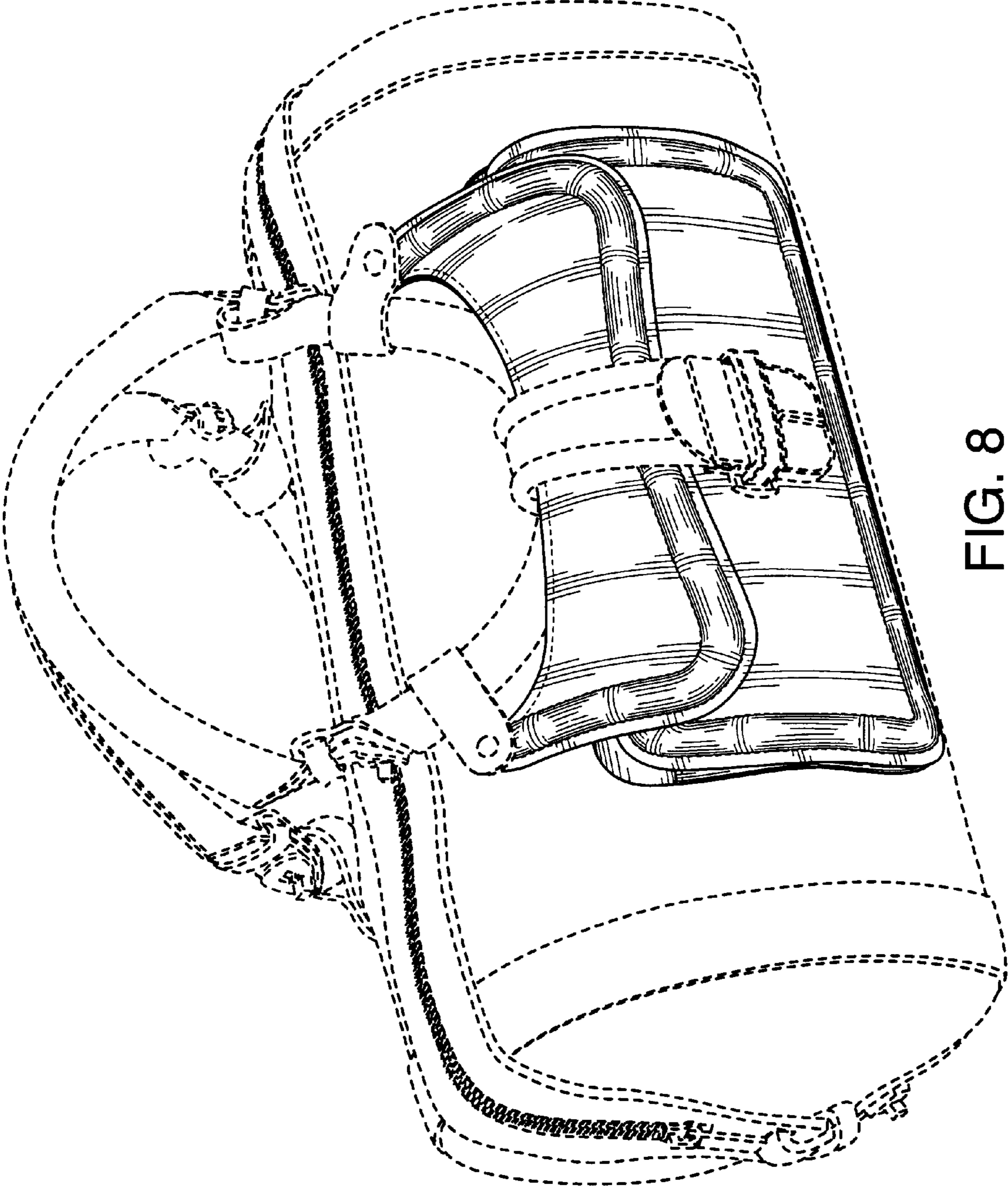


FIG. 8