



US00D522744S

(12) **United States Design Patent**
Degroff

(10) **Patent No.:** **US D522,744 S**
(45) **Date of Patent:** **** Jun. 13, 2006**

- (54) **APPARATUS FOR DISPENSING A BEVERAGE**
- (76) Inventor: **Todd Degroff**, 220 Crater La., Kensington, CT (US) 06037
- (**) Term: **14 Years**
- (21) Appl. No.: **29/225,089**
- (22) Filed: **Mar. 10, 2005**
- (51) **LOC (8) Cl.** **03-01**
- (52) **U.S. Cl.** **D3/229**
- (58) **Field of Classification Search** D3/229, D3/215, 226; 224/148.2-148.6, 602-603, 224/250, 913, 931, 223, 674; D2/627-629
See application file for complete search history.

- 5,470,001 A * 11/1995 Konchan 224/603
- 5,683,012 A 11/1997 Villaveces 222/82
- 5,931,363 A * 8/1999 Ammons, Jr. 224/602
- 5,984,145 A 11/1999 McAllister 222/175
- D424,294 S * 5/2000 Lundyn D3/226
- D444,295 S 7/2001 Malik et al. D3/224
- 6,652,134 B1 11/2003 Lloyd 366/130
- 2004/0096126 A1 5/2004 Danby et al. 383/41

* cited by examiner

Primary Examiner—Catherine R. Oliver
(74) *Attorney, Agent, or Firm*—Cantor Colburn LLP

(57) **CLAIM**

I claim, the ornamental design for the apparatus for dispensing a beverage, as shown and described.

DESCRIPTION

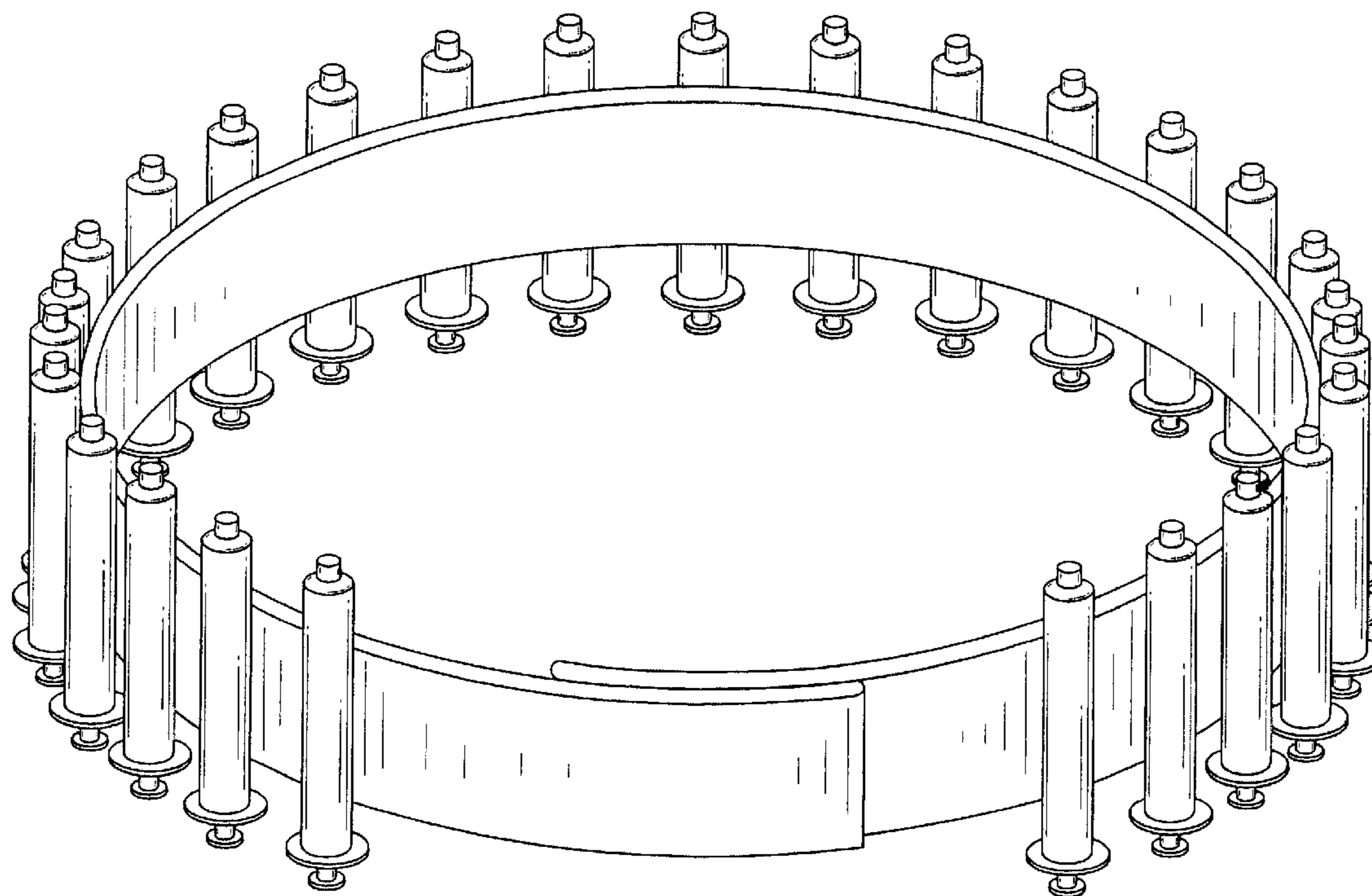
FIG. 1 is a front perspective view of the apparatus for dispensing a beverage, showing my new design;
FIG. 2 is a side view thereof;
FIG. 3 is a front perspective view thereof in another embodiment;
FIG. 4 is a front perspective view thereof in another embodiment; and,
FIG. 5 is a plan view thereof.

1 Claim, 5 Drawing Sheets

(56) **References Cited**

U.S. PATENT DOCUMENTS

- 3,163,286 A * 12/1964 Covington, Jr. 224/223
- D255,621 S 7/1980 McCool D3/229
- D269,140 S 5/1983 Holmes D3/229
- D291,623 S 9/1987 Ericksen D3/229
- 4,706,859 A * 11/1987 Bebbington et al. 224/602
- D298,382 S 11/1988 Webster D3/229
- D340,582 S 10/1993 Pressentin D3/229



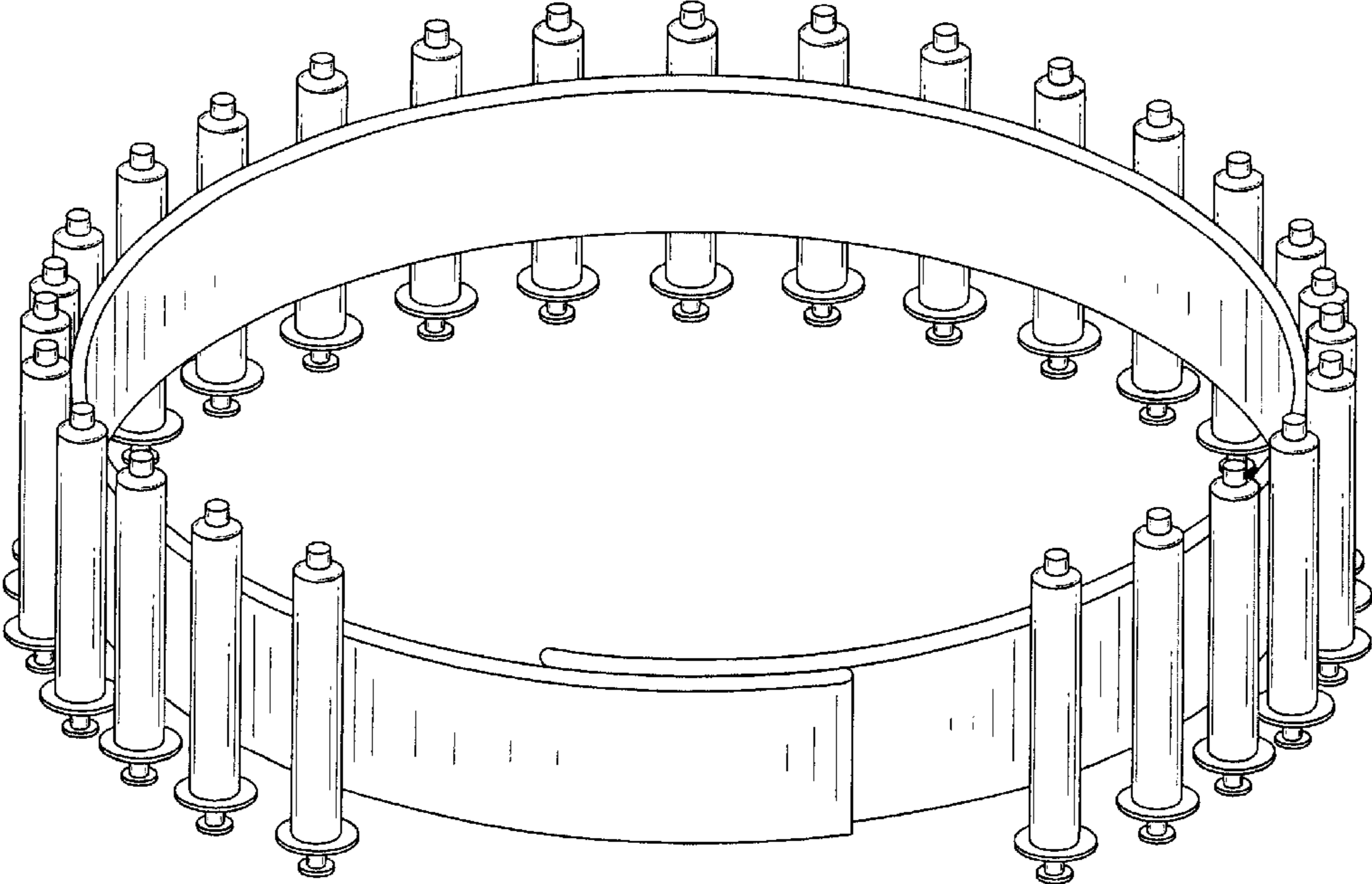


FIG. 1

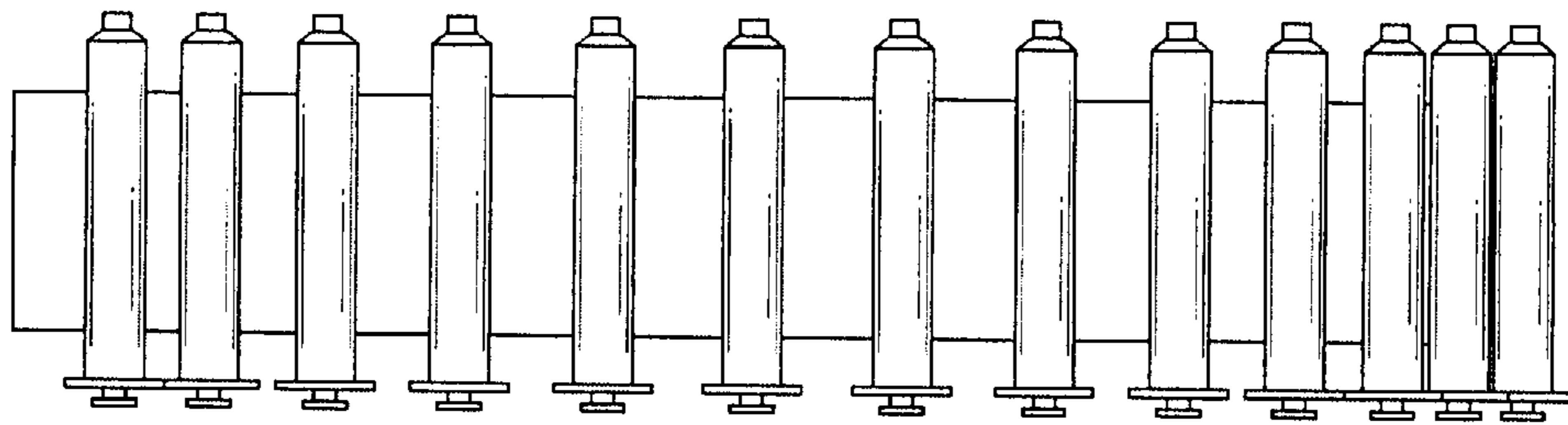


FIG. 2

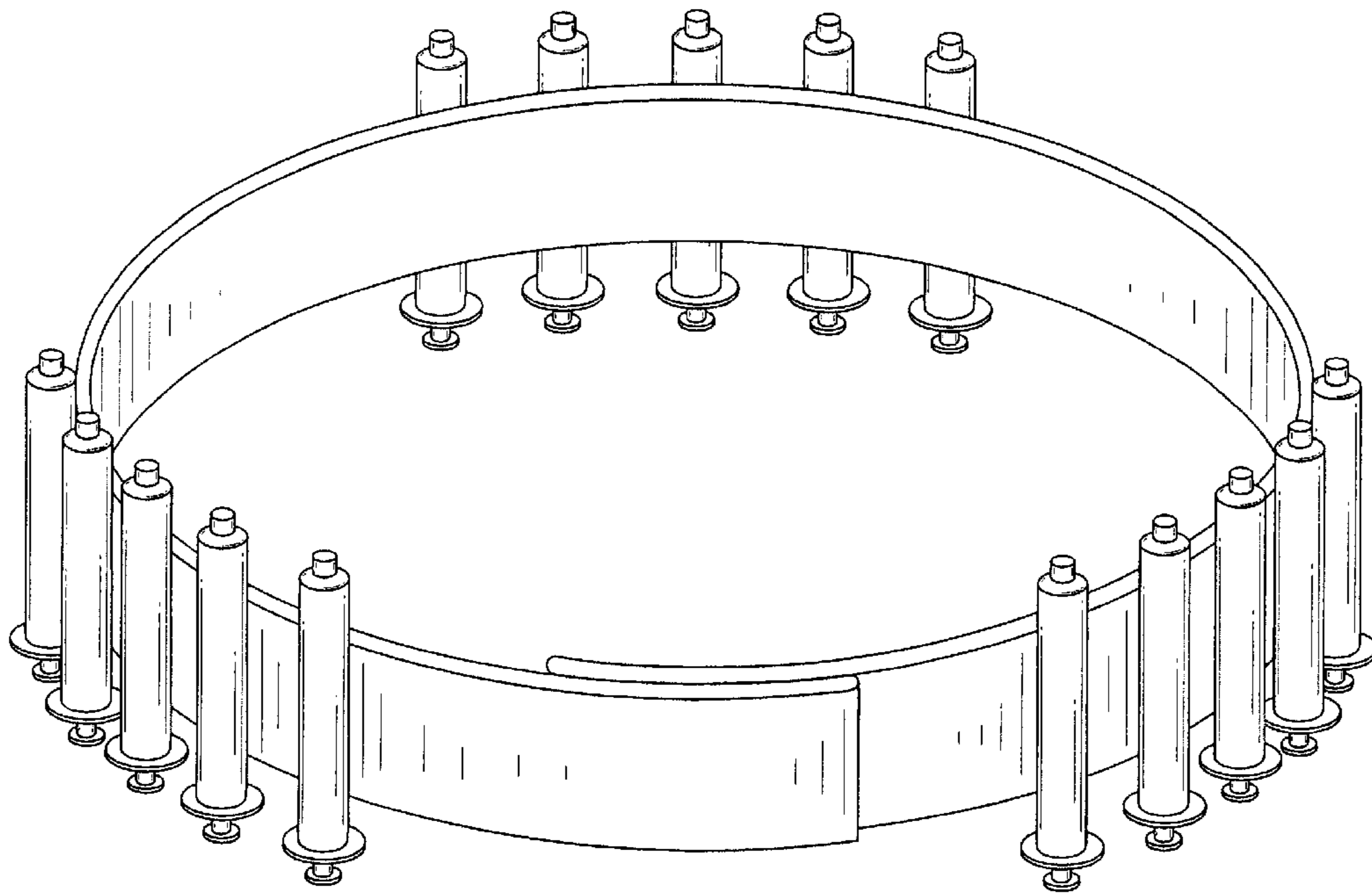


FIG. 3

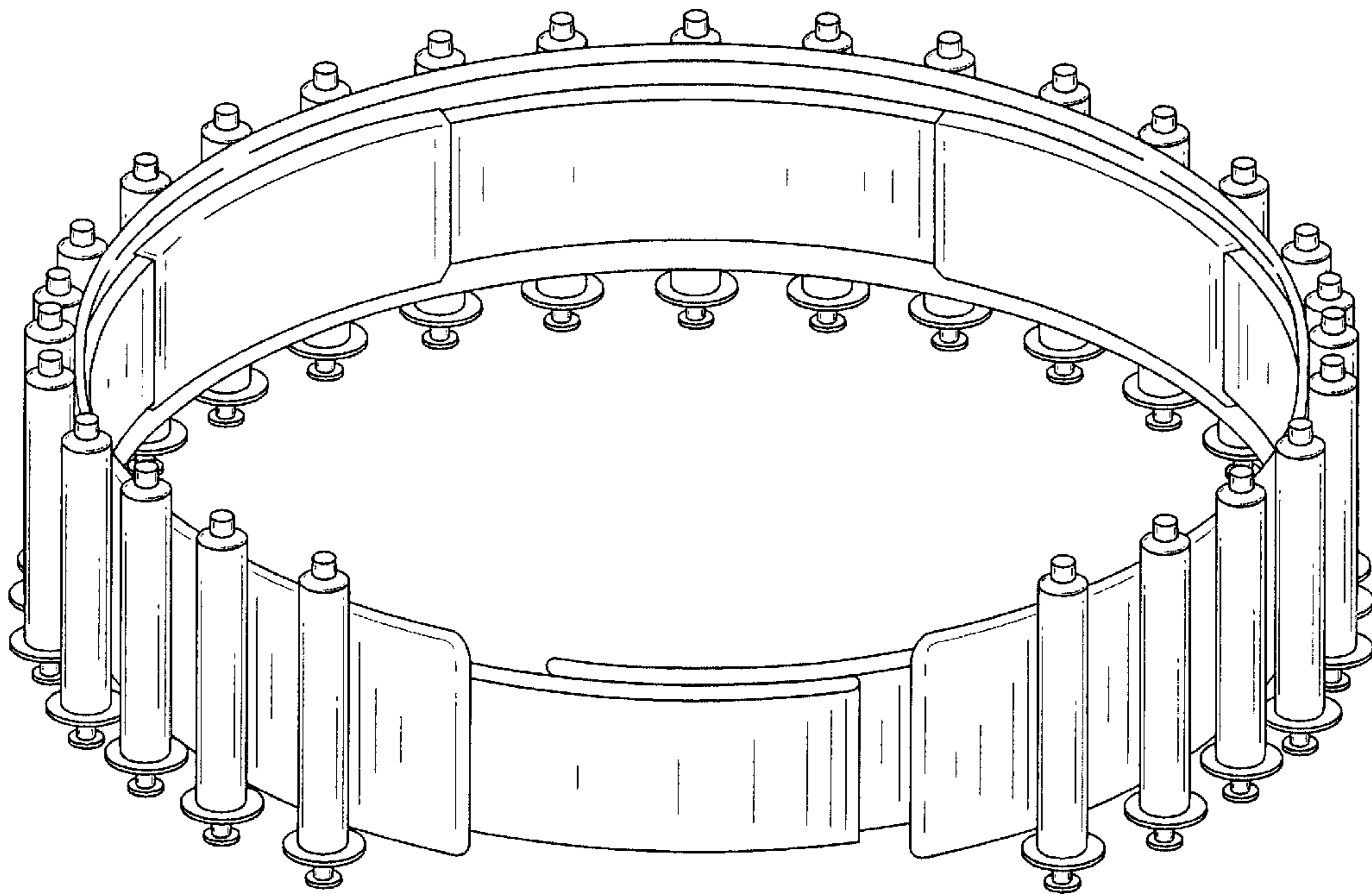


FIG. 4

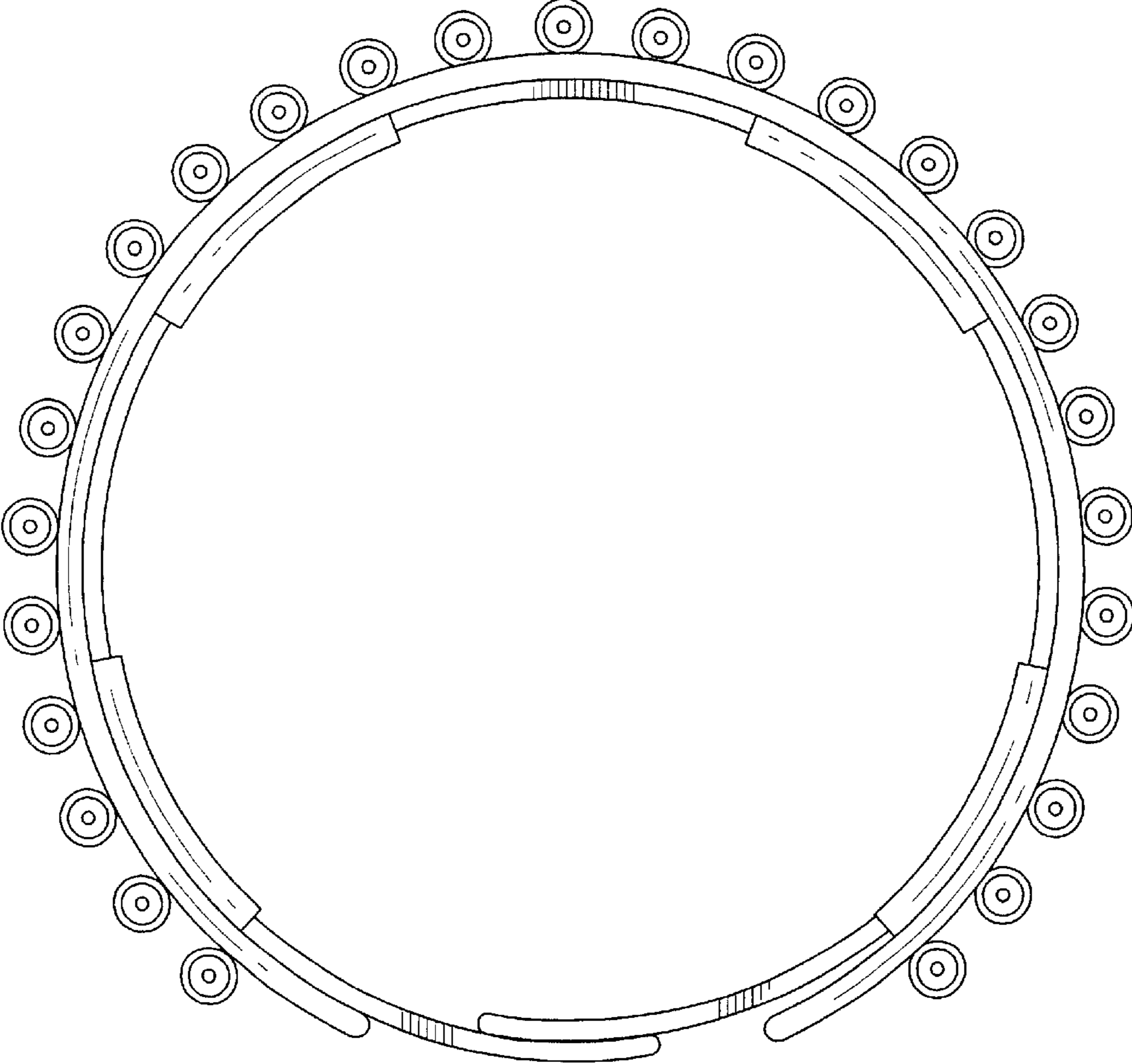


FIG. 5