

US00D522743S

(12) **United States Design Patent**  
**Lui**

(10) **Patent No.:** **US D522,743 S**  
(45) **Date of Patent:** **\*\* Jun. 13, 2006**

(54) **KEY HOLDER**

(75) Inventor: **Wing Kit Lui**, Kowloon (HK)

(73) Assignee: **Eric Beare Associates Ltd.**, Kowloon (HK)

(\*\*) Term: **14 Years**

(21) Appl. No.: **29/229,391**

(22) Filed: **May 6, 2005**

(51) **LOC (8) Cl.** ..... **03-01**

(52) **U.S. Cl.** ..... **D3/207**

(58) **Field of Classification Search** ..... D3/207-212;  
206/37.1, 38.1; 150/147; 70/456 R, 456 B,  
70/458-459; 24/3 K, 3.6, 100; D11/44, 48  
See application file for complete search history.

(56) **References Cited**

**U.S. PATENT DOCUMENTS**

D308,759 S	*	6/1990	Lui	.....	D3/209
D321,785 S	*	11/1991	Garrity	.....	D3/209
D336,435 S	*	6/1993	Yusa	.....	D10/2
D348,773 S	*	7/1994	Kutzera	.....	D3/207
D372,356 S	*	8/1996	Marguerite	.....	D3/209
D475,195 S	*	6/2003	Christianson	.....	D3/209
D479,395 S	*	9/2003	Westrich et al.	.....	D3/212
D505,782 S	*	6/2005	Chen	.....	D3/209

\* cited by examiner

*Primary Examiner*—Ralf Seifert

(74) *Attorney, Agent, or Firm*—Perkins Coie LLP

(57) **CLAIM**

The ornamental design for a key holder, as shown in the drawings.

**DESCRIPTION**

FIGS. 1-10 show a first embodiment, wherein:  
FIG. 1 is a top, front, and left side perspective view.  
FIG. 2 is a back, top, and right side perspective view.  
FIG. 3 is a bottom, front, and left side perspective view.  
FIG. 4 is a bottom, front, and right side perspective view.  
FIG. 5 is a front view.  
FIG. 6 is a left side view.  
FIG. 7 is a right side view.  
FIG. 8 is a bottom view.  
FIG. 9 is a front view.  
FIG. 10 is a back view.

FIGS. 11-20 shows a second embodiment, wherein:  
FIG. 11 is a top, front, and left side perspective view.  
FIG. 12 is a back, top, and right side perspective view.  
FIG. 13 is a bottom, front, and left side perspective view.  
FIG. 14 is a bottom, front, and right side perspective view.  
FIG. 15 is a front view.  
FIG. 16 is a left side view.  
FIG. 17 is a right side view.  
FIG. 18 is a bottom view.  
FIG. 19 is a front view; and,  
FIG. 20 is a back view.

It being understood that the broken lines are for illustrative purposes only and form no part of the claimed design.

**1 Claim, 4 Drawing Sheets**

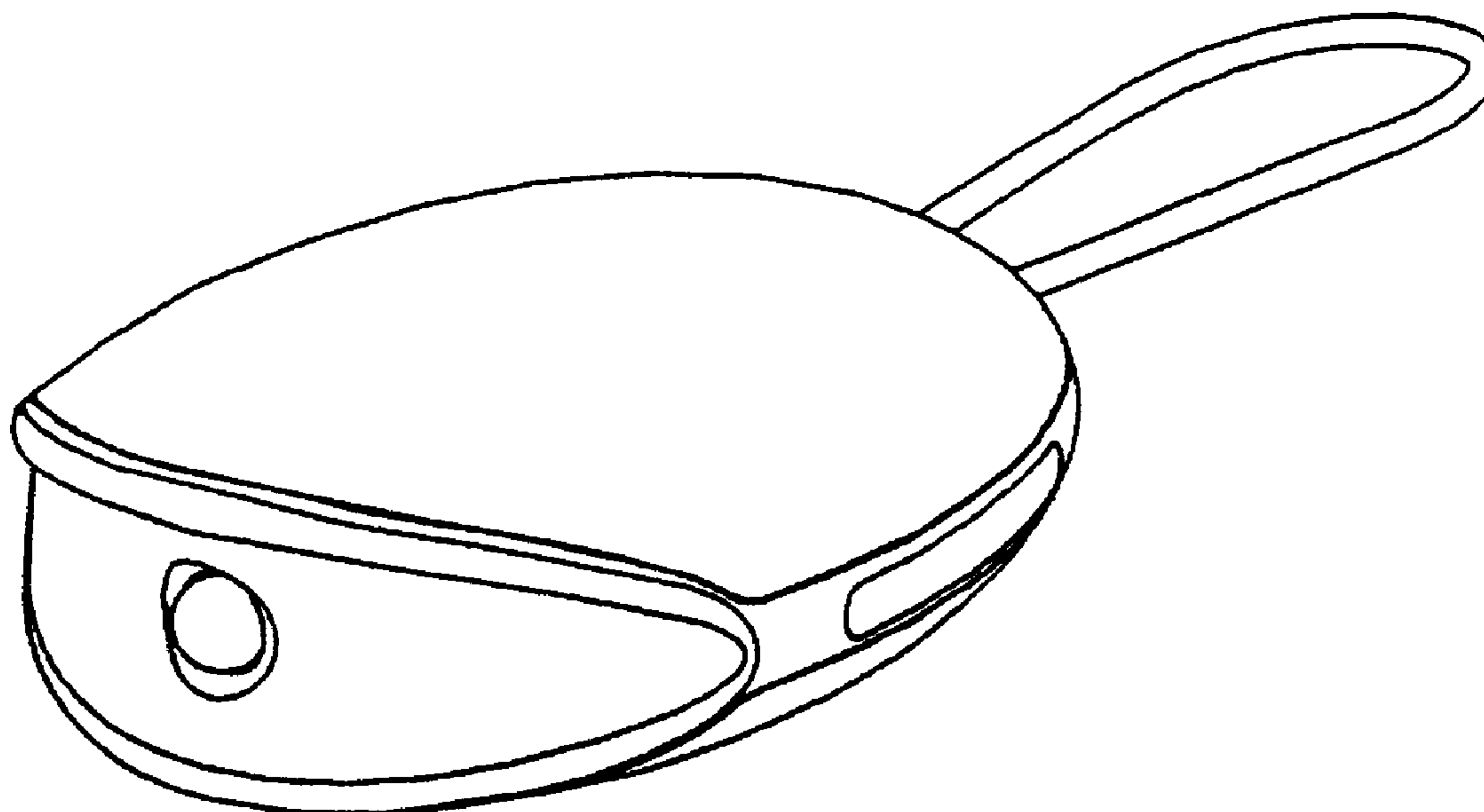


FIG. 1

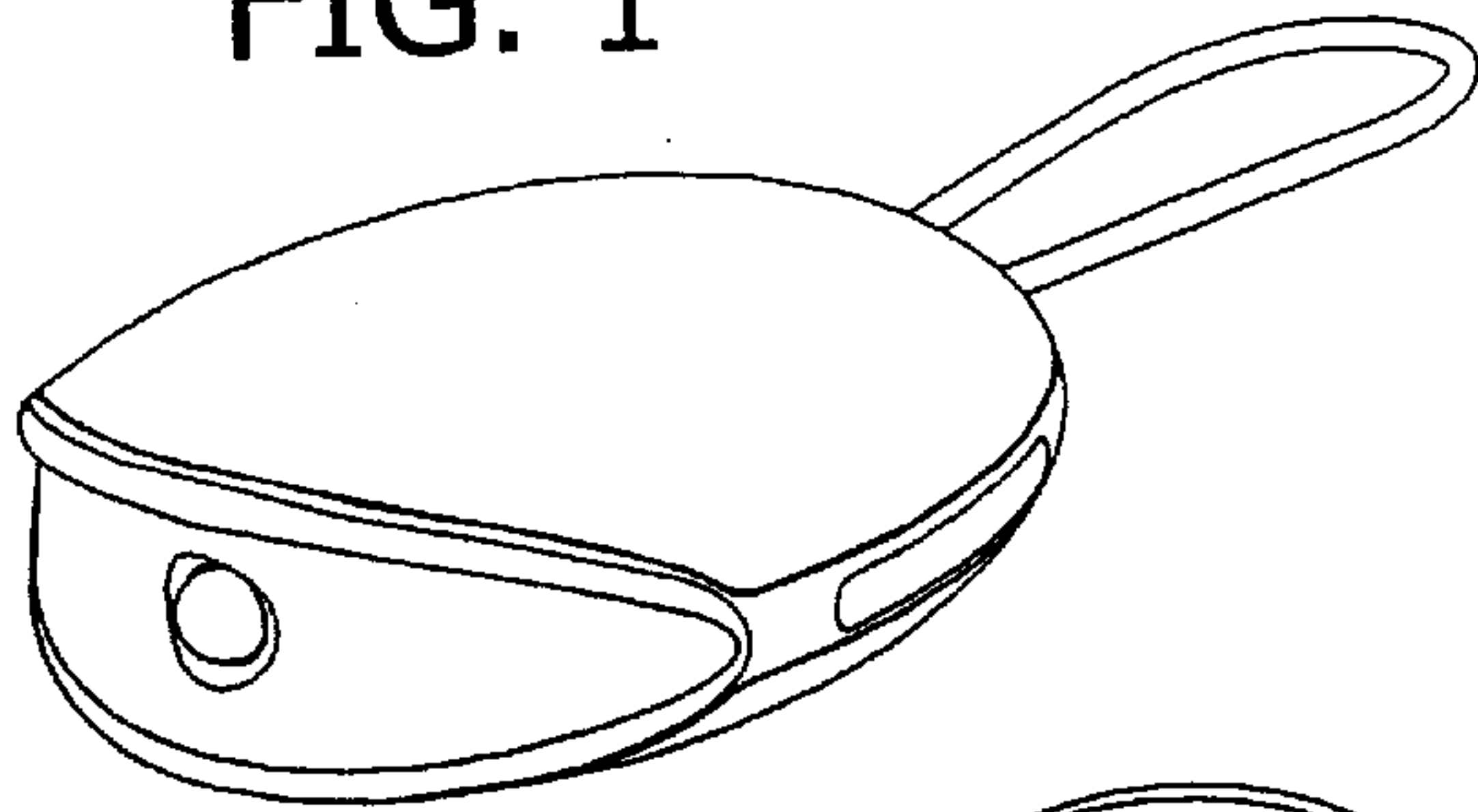


FIG. 3

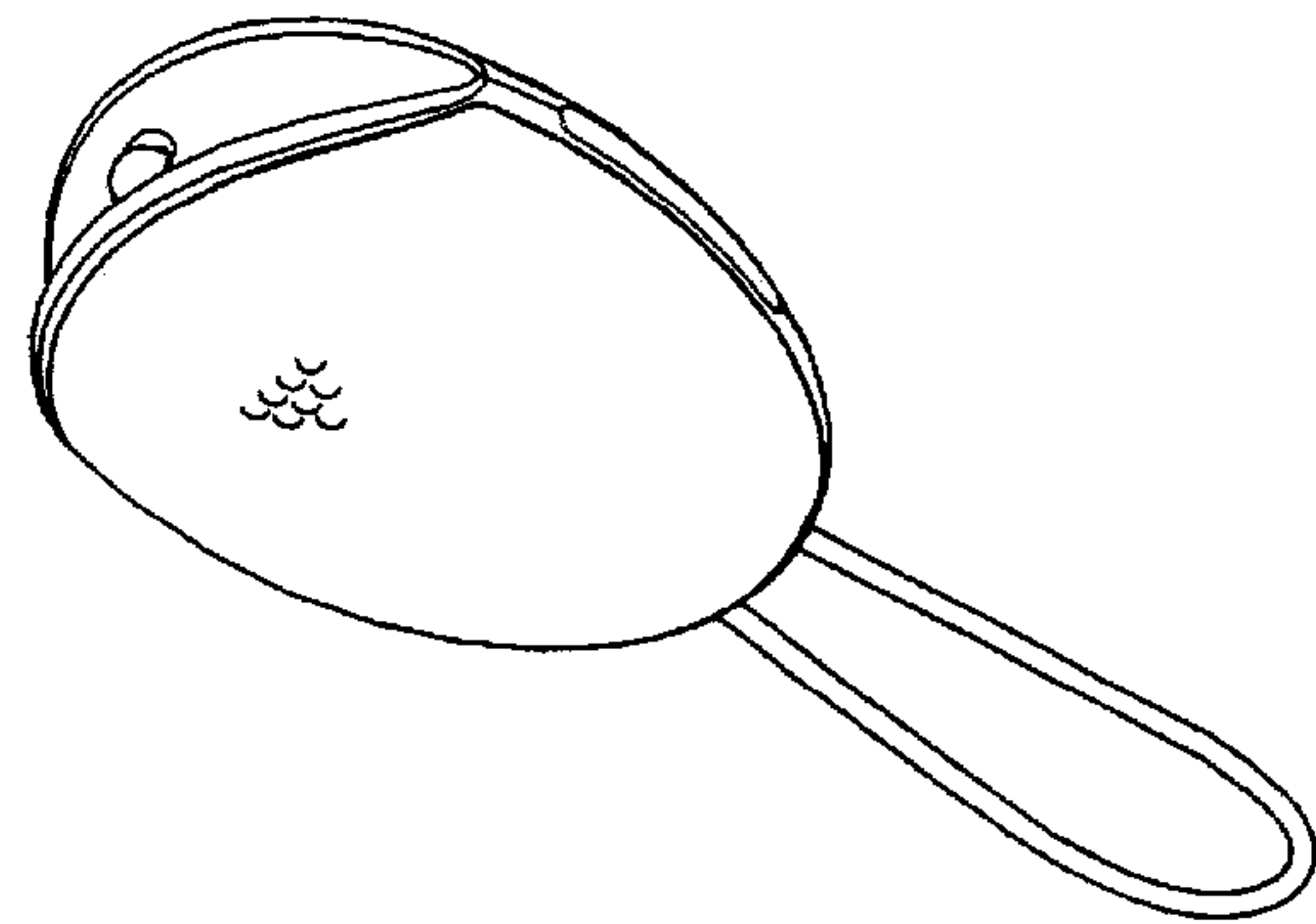


FIG. 4

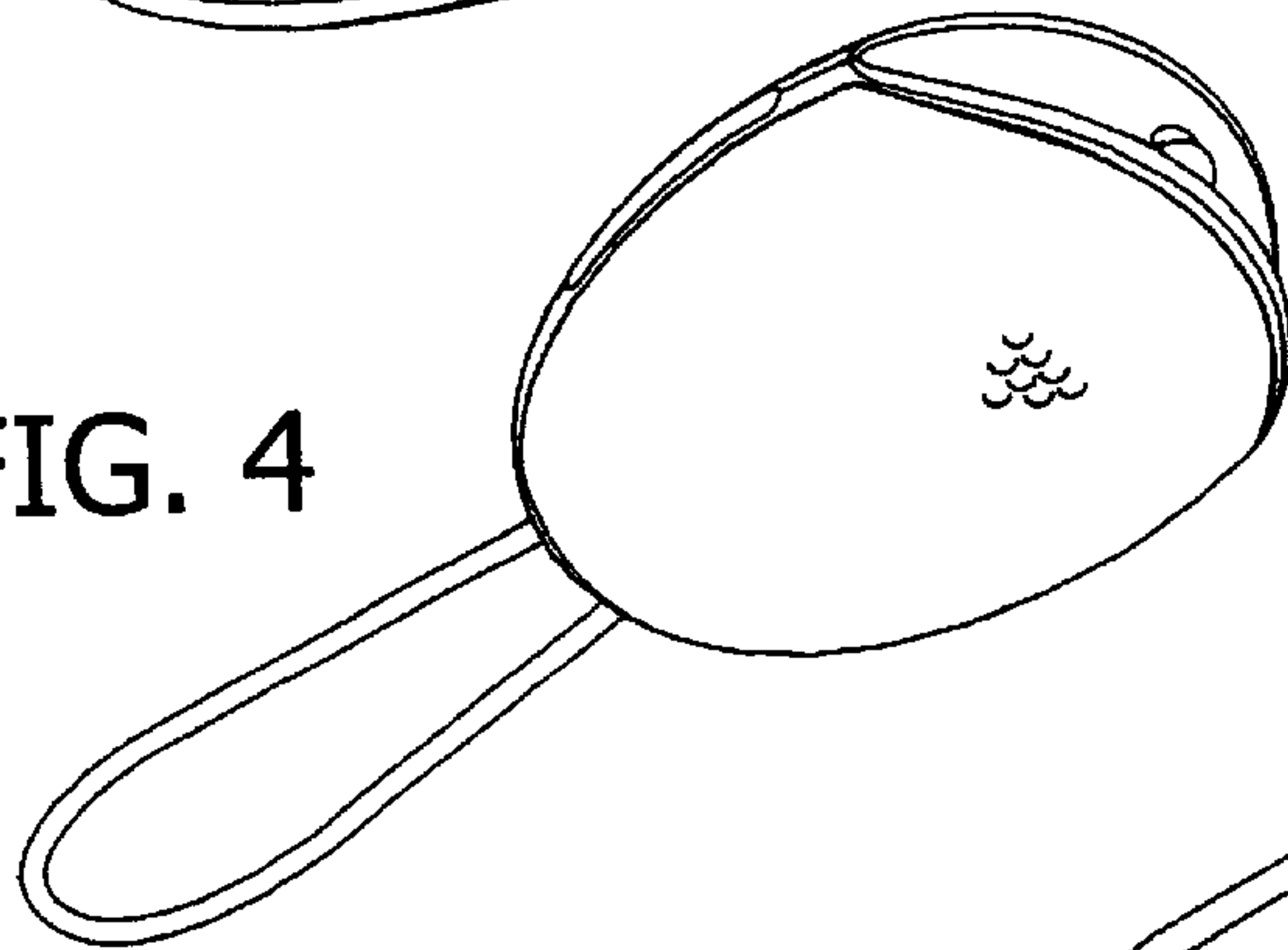
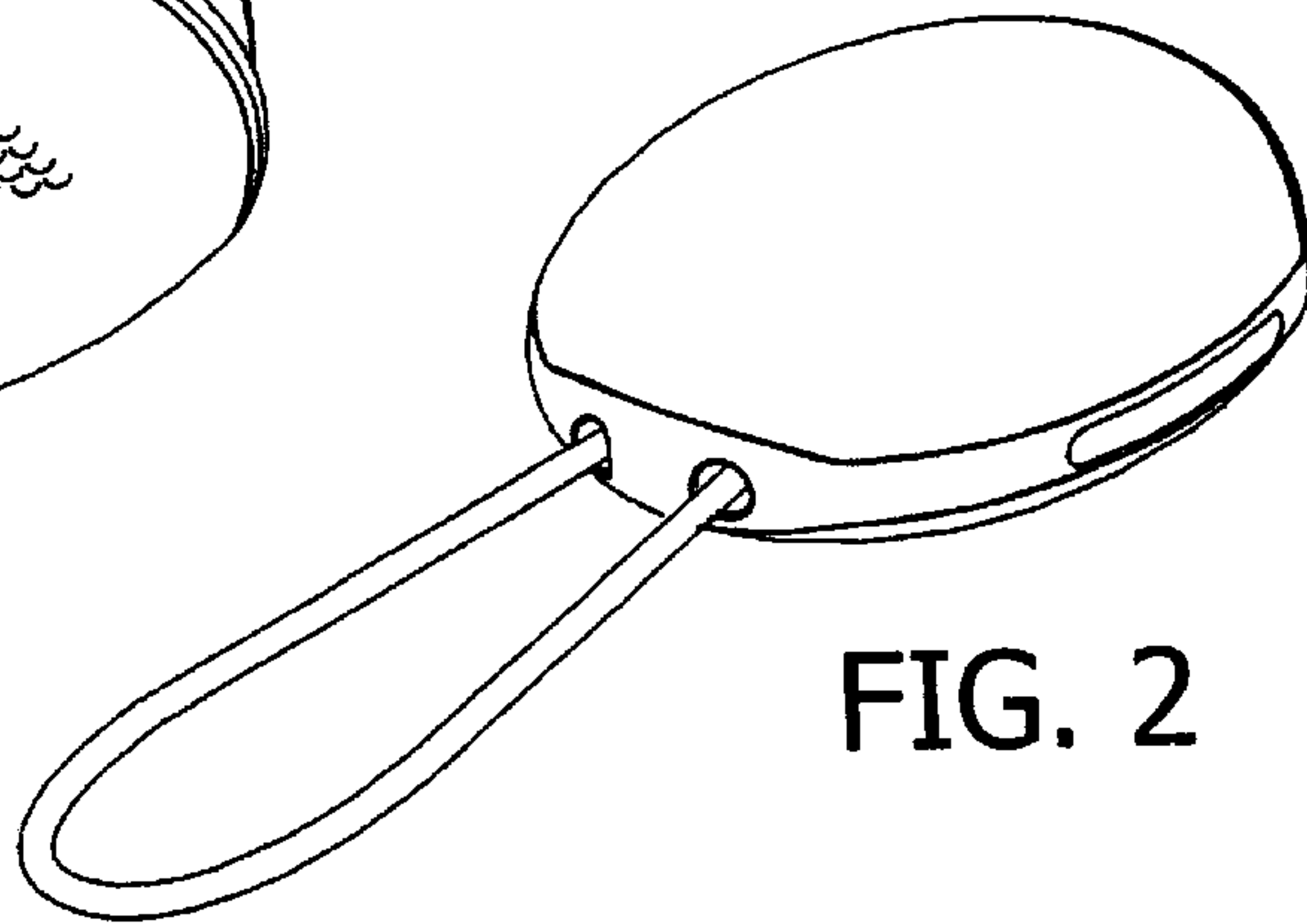


FIG. 2



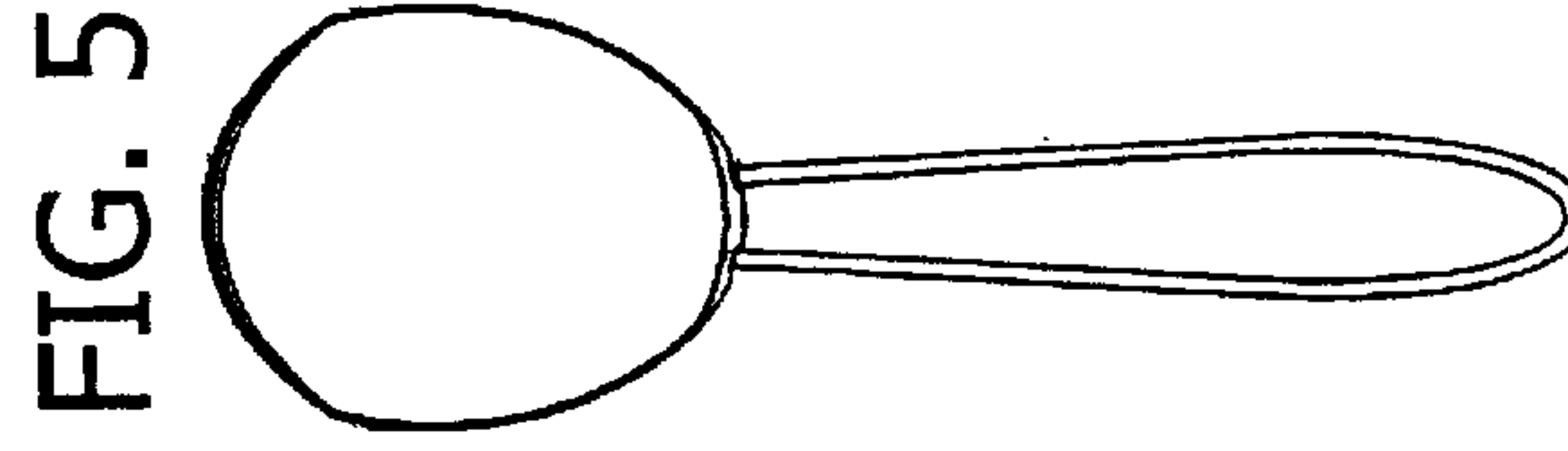
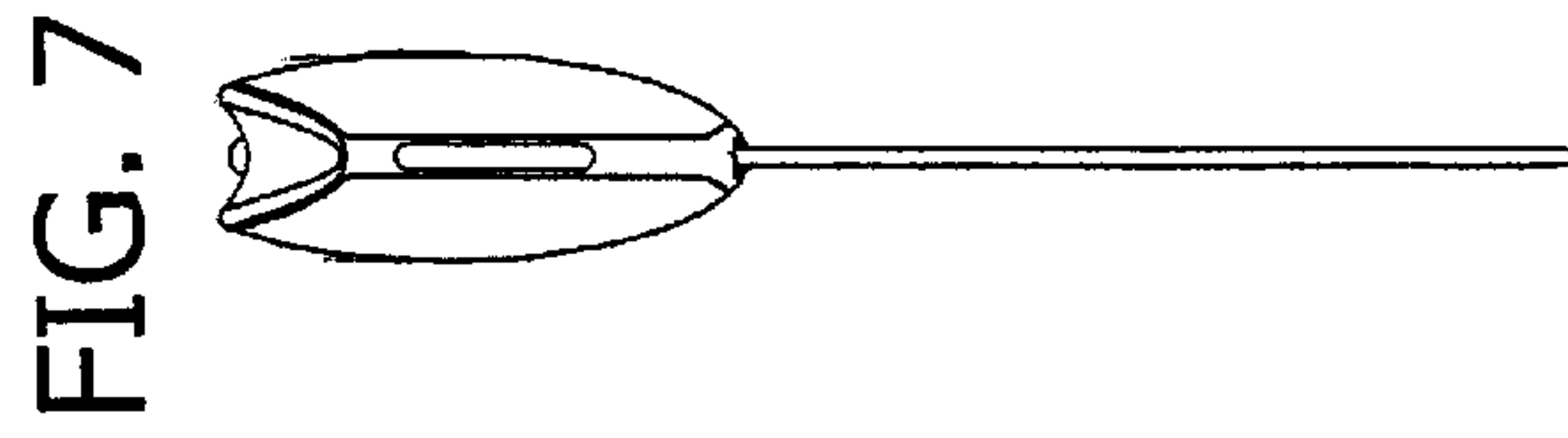
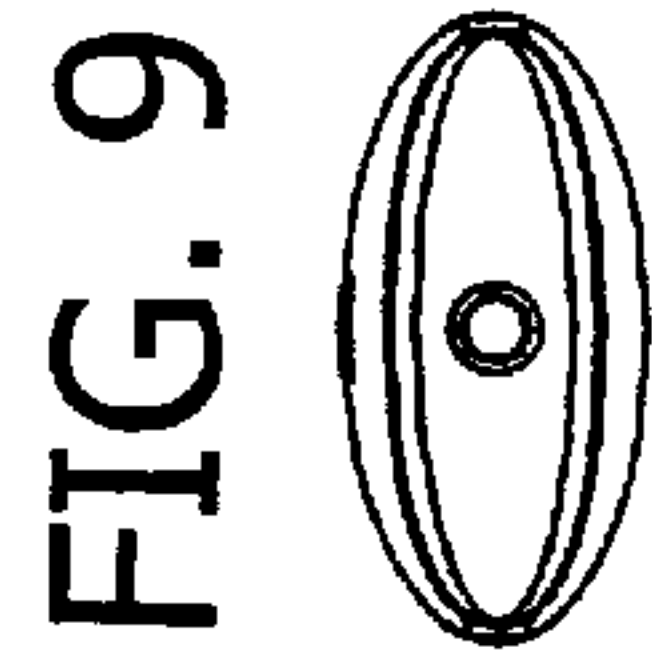


FIG. 10

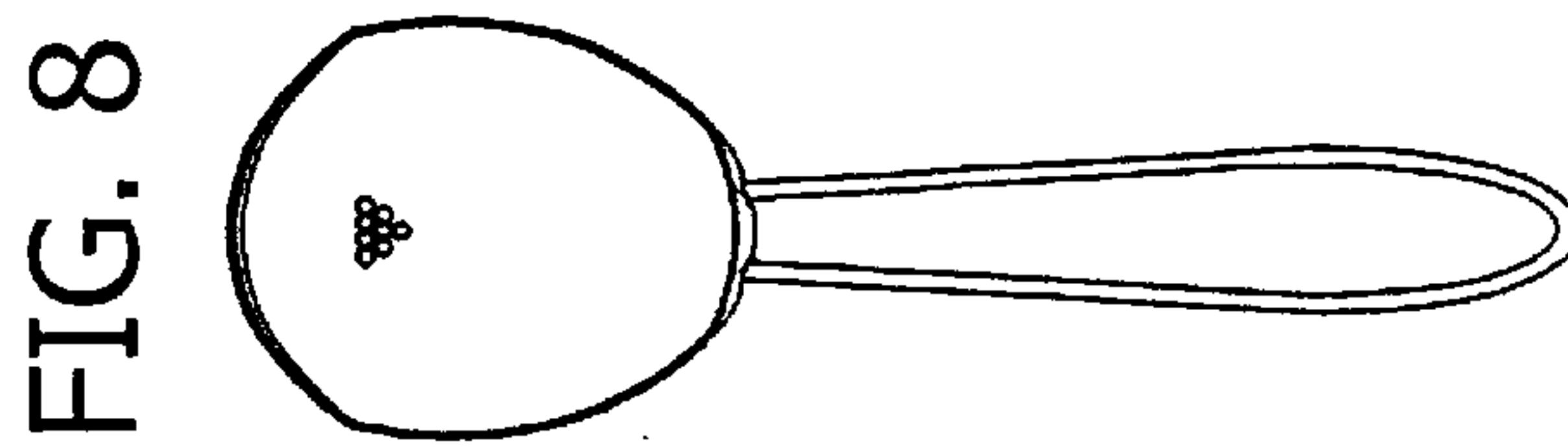
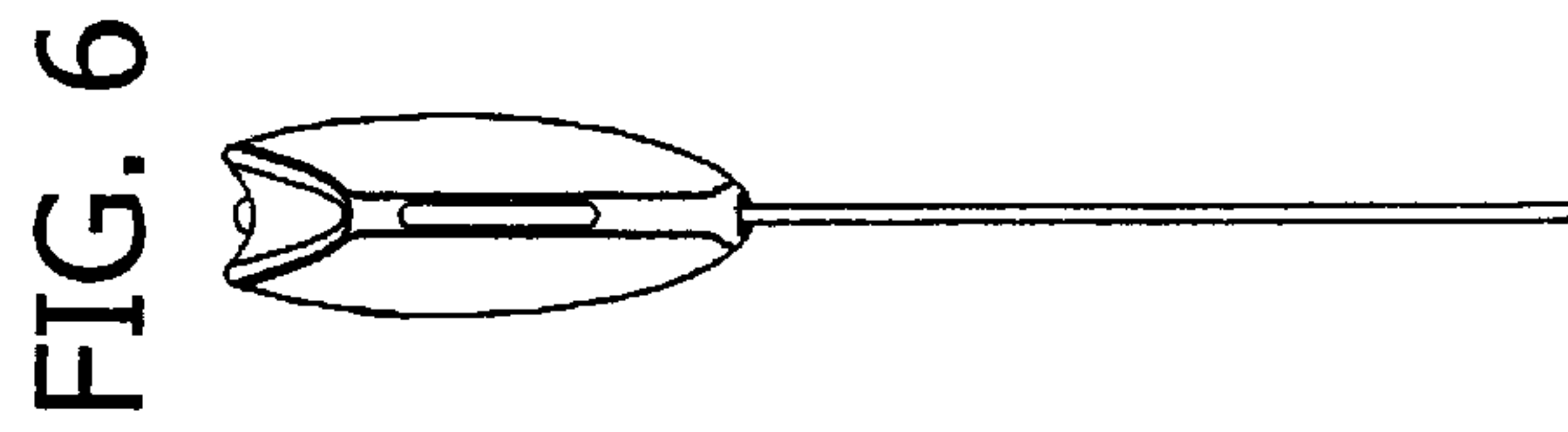


FIG. 11

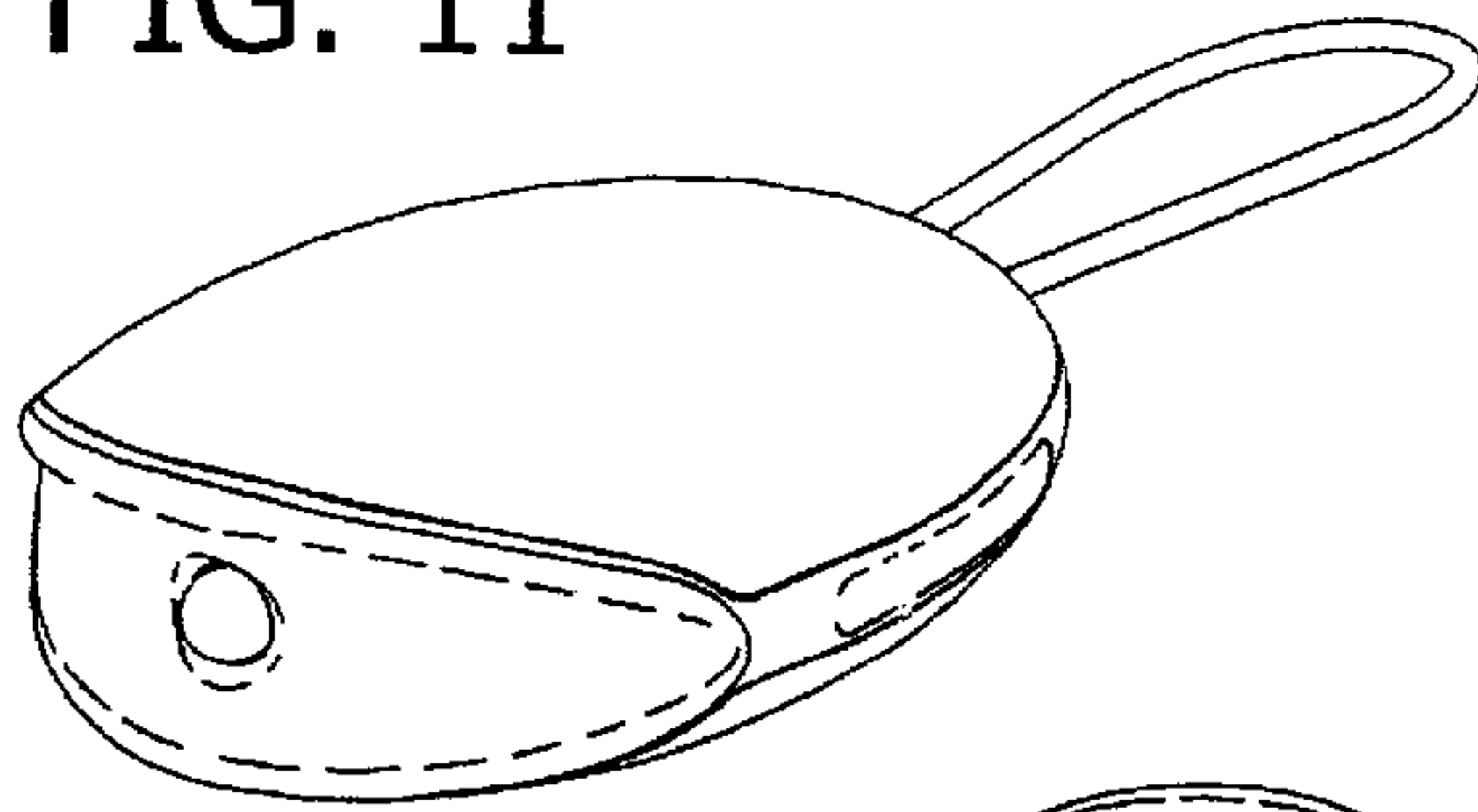


FIG. 13

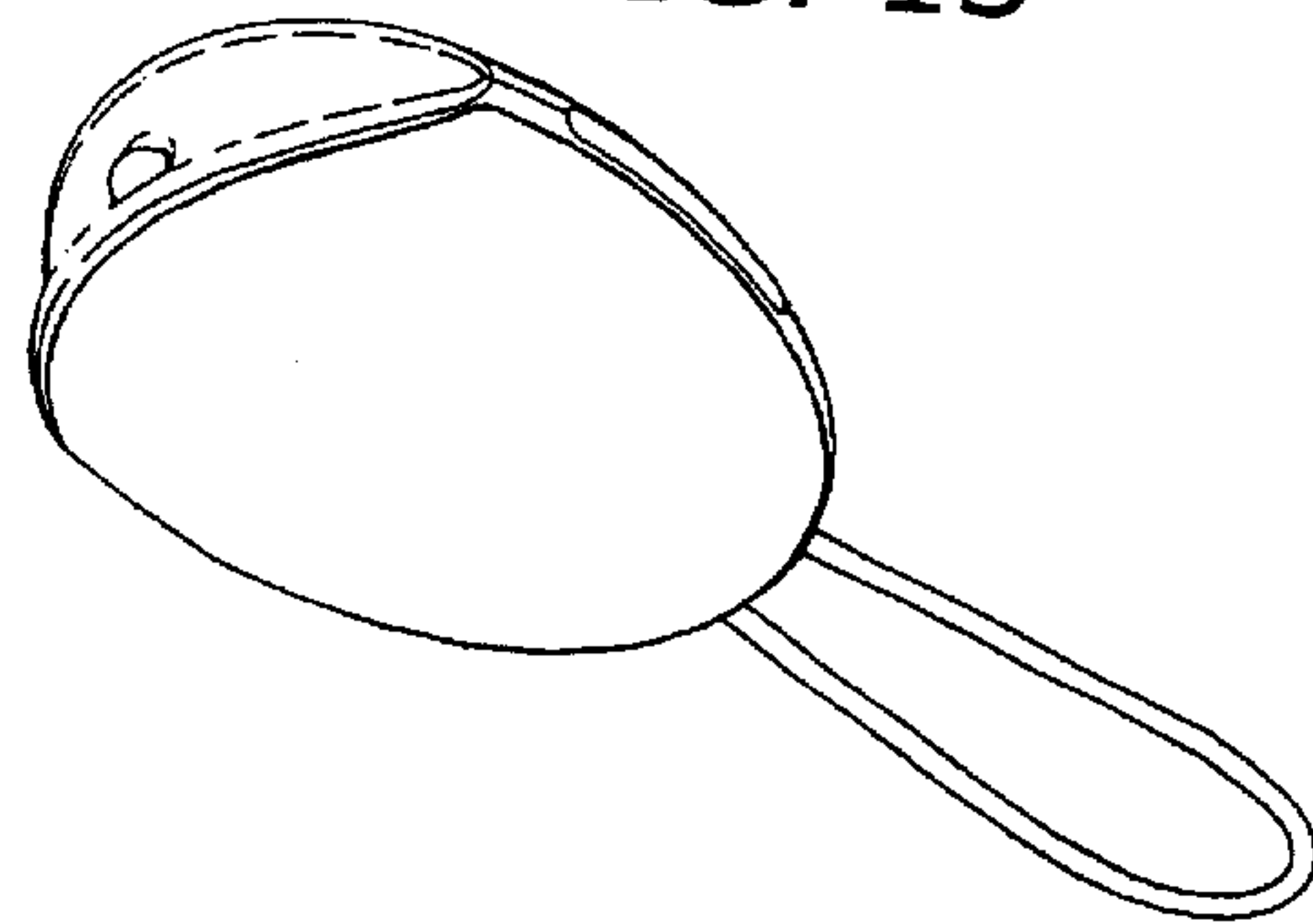


FIG. 14

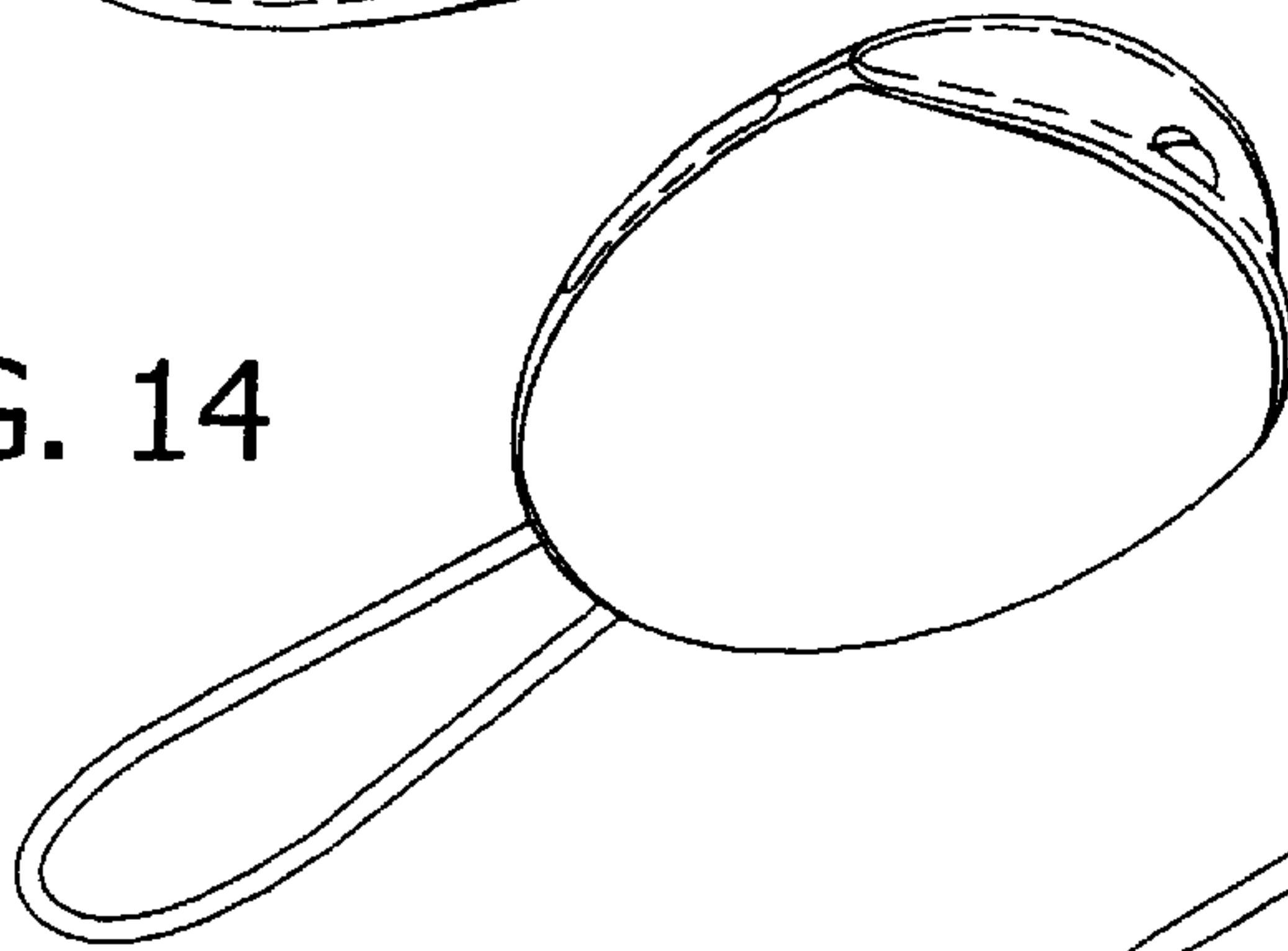


FIG. 12

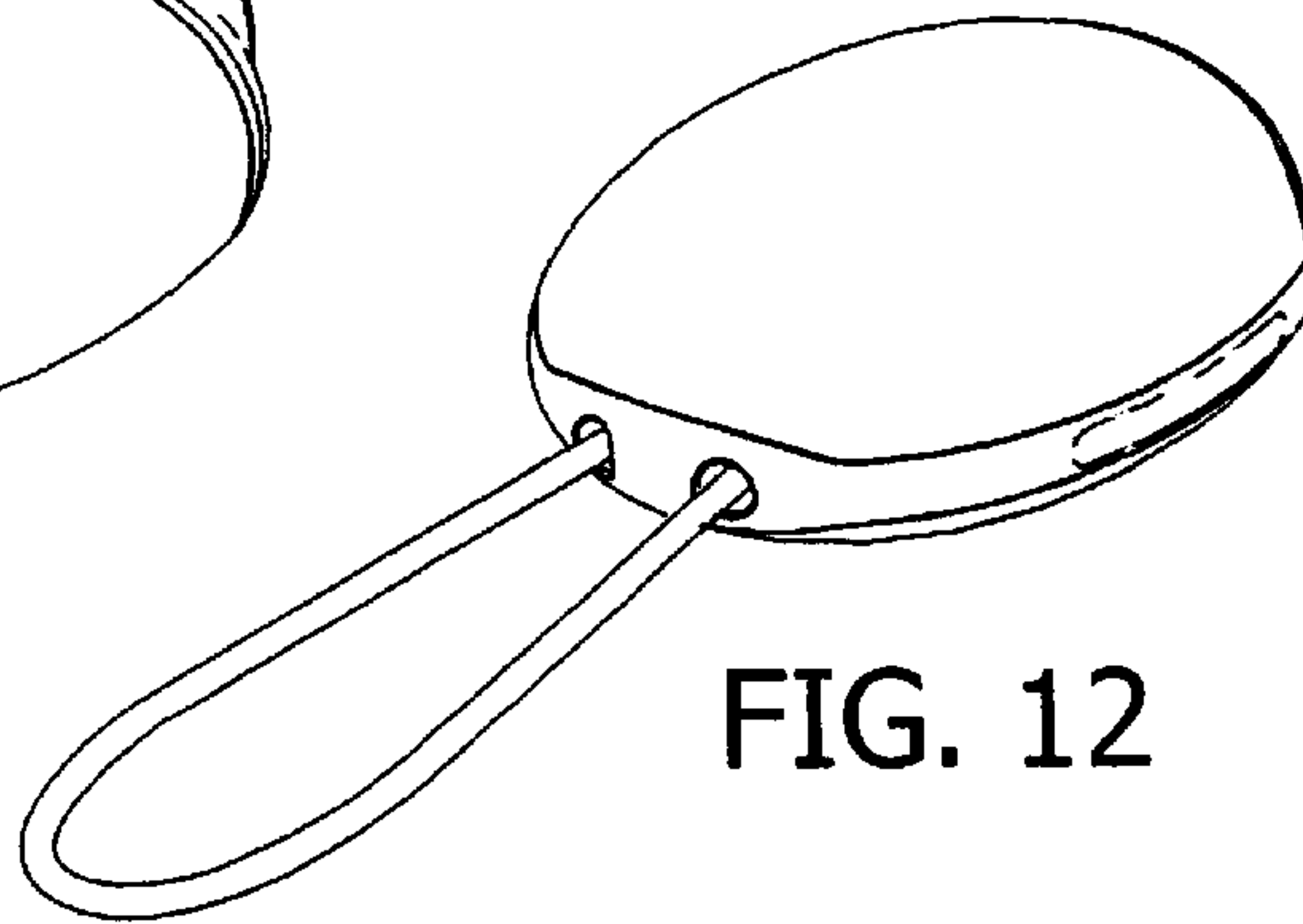


FIG. 19

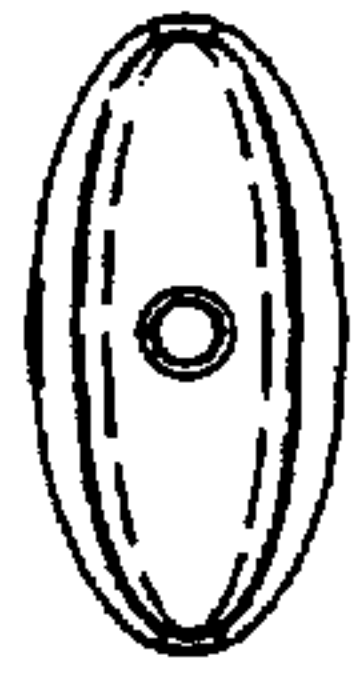


FIG. 15

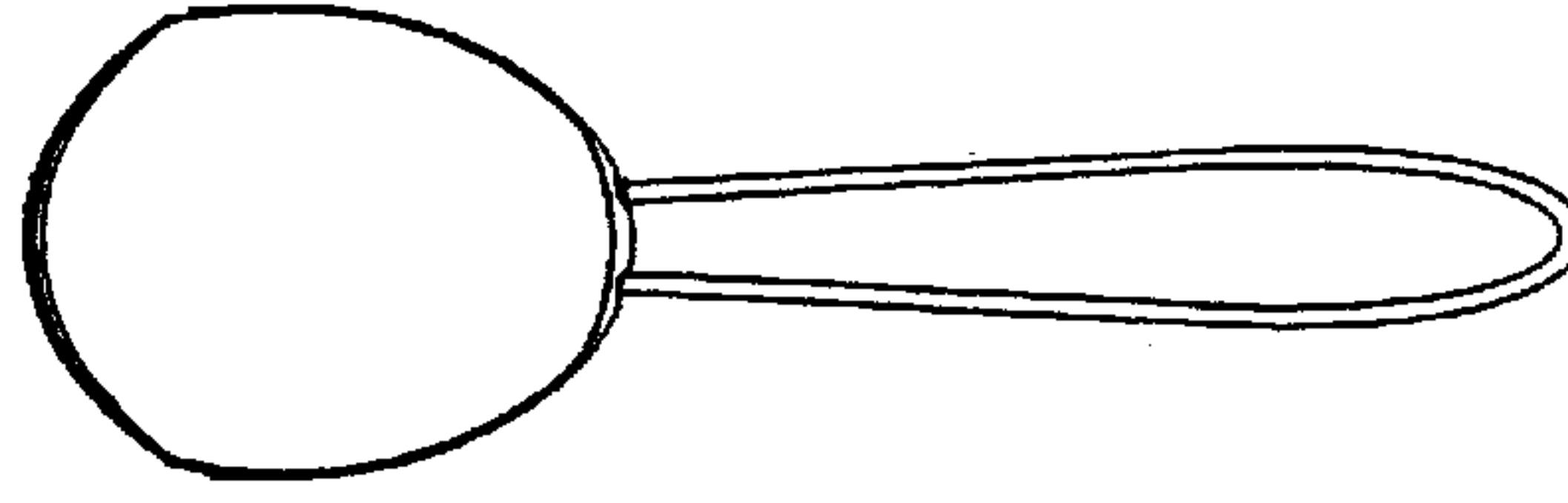


FIG. 20

FIG. 18

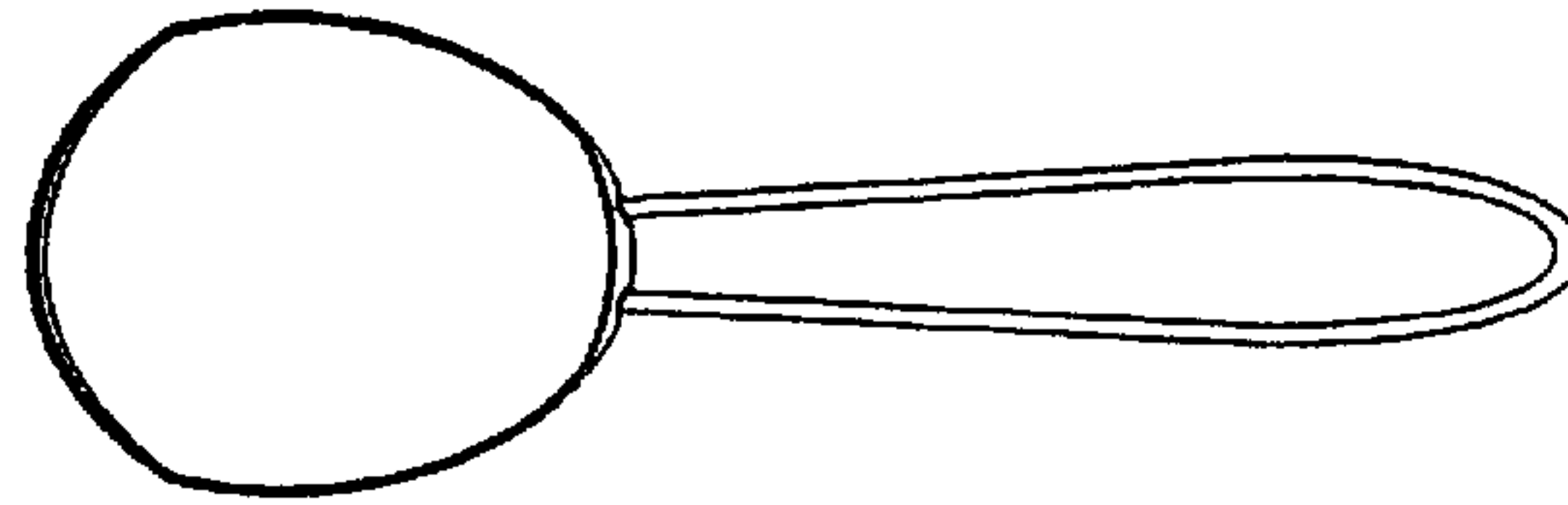


FIG. 16

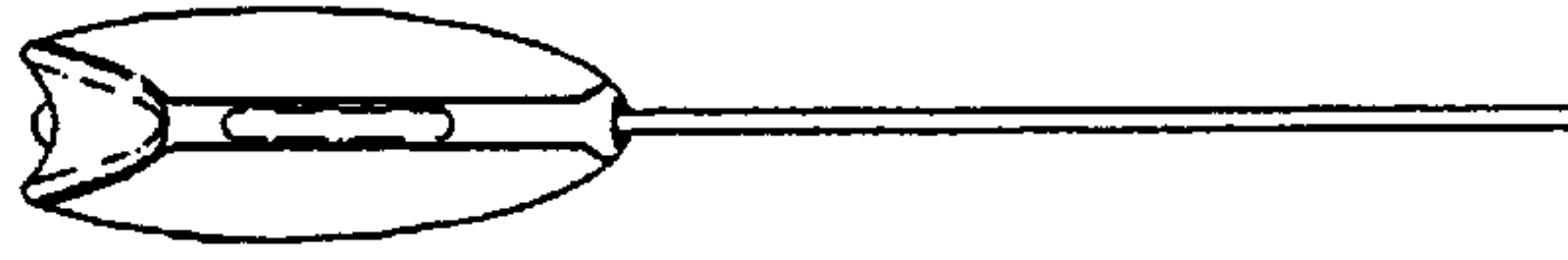


FIG. 17

