



US00D522709S

(12) **United States Design Patent**
Nanni

(10) **Patent No.:** **US D522,709 S**

(45) **Date of Patent:** **** Jun. 6, 2006**

(54) **LIFTING APPARATUS**

(75) Inventor: **Patrizia Nanni**, Capannori (IT)

(73) Assignee: **Vima Impianti, S.r.L.**, Lucca (IT)

(**) Term: **14 Years**

(21) Appl. No.: **29/204,514**

(22) Filed: **Apr. 30, 2004**

(30) **Foreign Application Priority Data**

Nov. 19, 2003 (IT) BO2003O0066

(51) **LOC (8) Cl.** **12-05**

(52) **U.S. Cl.** **D34/33**

(58) **Field of Classification Search** D34/28,
D34/32, 33; 254/334, 203, 197, 2 R, 8 R;
414/550, 543, 462

See application file for complete search history.

(56) **References Cited**

U.S. PATENT DOCUMENTS

725,312	A	*	4/1903	Anderson	212/203
4,148,465	A	*	4/1979	Bowman	254/334
4,940,381	A	*	7/1990	Rysewyk	414/619
5,181,693	A	*	1/1993	Lorenz	254/2 R
D367,144	S	*	2/1996	Poskocil et al.	D34/33

D370,758	S	*	6/1996	McCanse	D34/28
D376,885	S	*	12/1996	Carey et al.	D34/28
D420,482	S	*	2/2000	Hultqvist et al.	D34/28
D423,751	S	*	4/2000	Owen	D34/33
D438,684	S	*	3/2001	Hernandez	D34/33
6,203,044	B1	*	3/2001	Conaway et al.	280/304.1
6,554,254	B1	*	4/2003	Vetesnik	254/325
6,688,836	B1	*	2/2004	Gourand	414/543

* cited by examiner

Primary Examiner—Cynthia E. Ramirez

(74) *Attorney, Agent, or Firm*—Arent Fox PLLC

(57) **CLAIM**

The ornamental design for a lifting apparatus, as shown and described.

DESCRIPTION

FIG. 1 is a perspective view of a lifting apparatus showing my new design;

FIG. 2 is a right-side view thereof;

FIG. 3 is a front view thereof;

FIG. 4 is a left-side view thereof;

FIG. 5 is a rear view thereof;

FIG. 6 is a top view thereof; and,

FIG. 7 is a bottom view thereof.

1 Claim, 4 Drawing Sheets

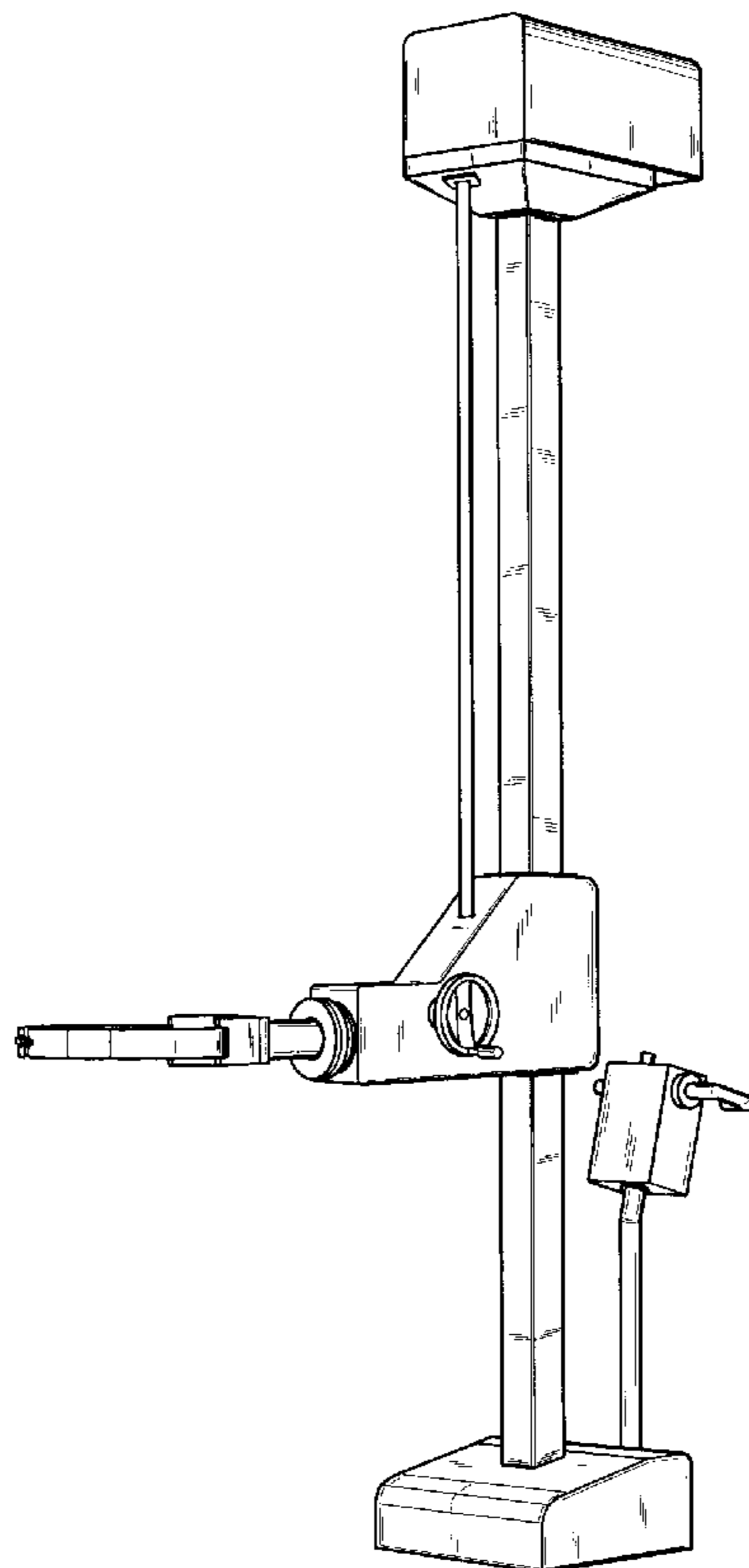


FIG. 1

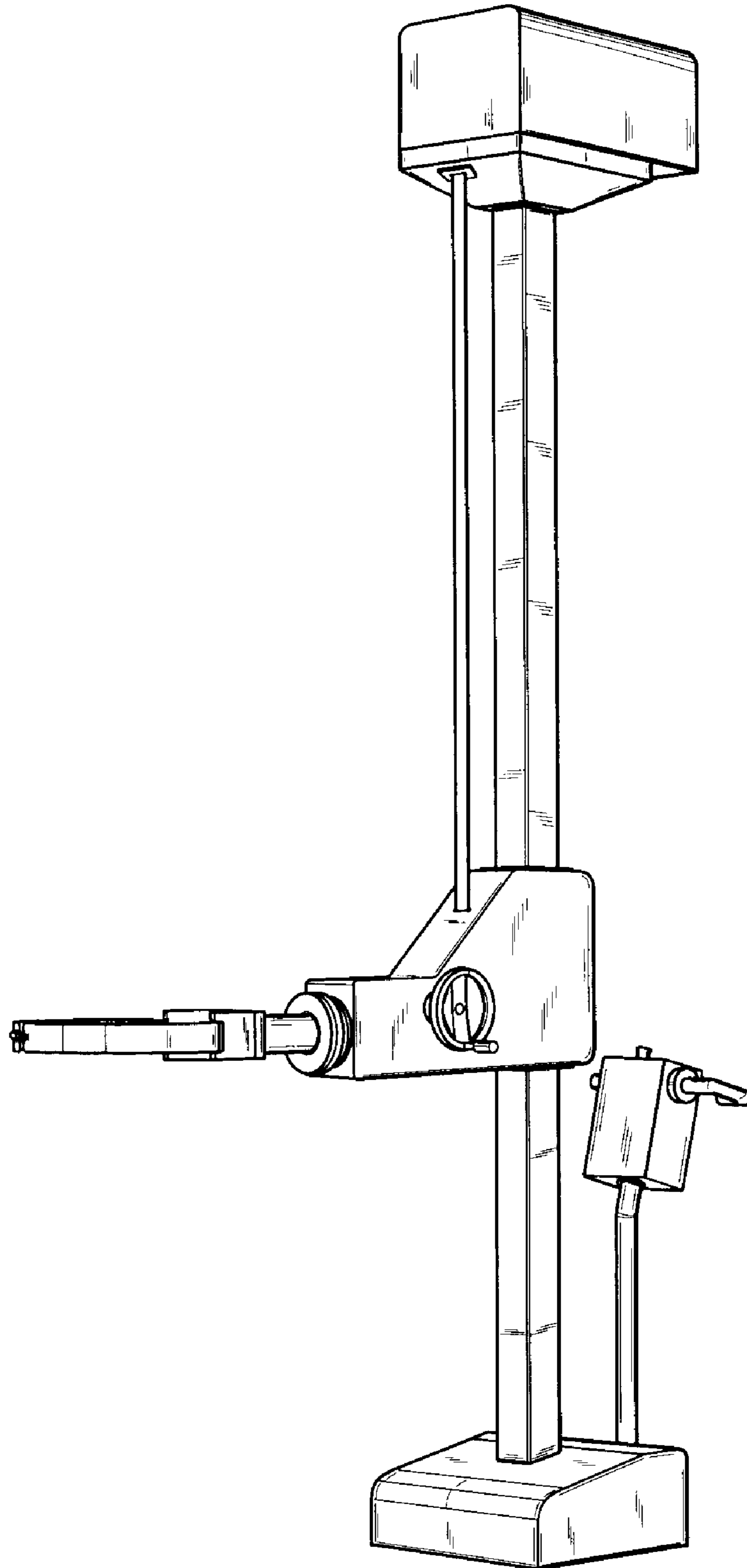


FIG.2

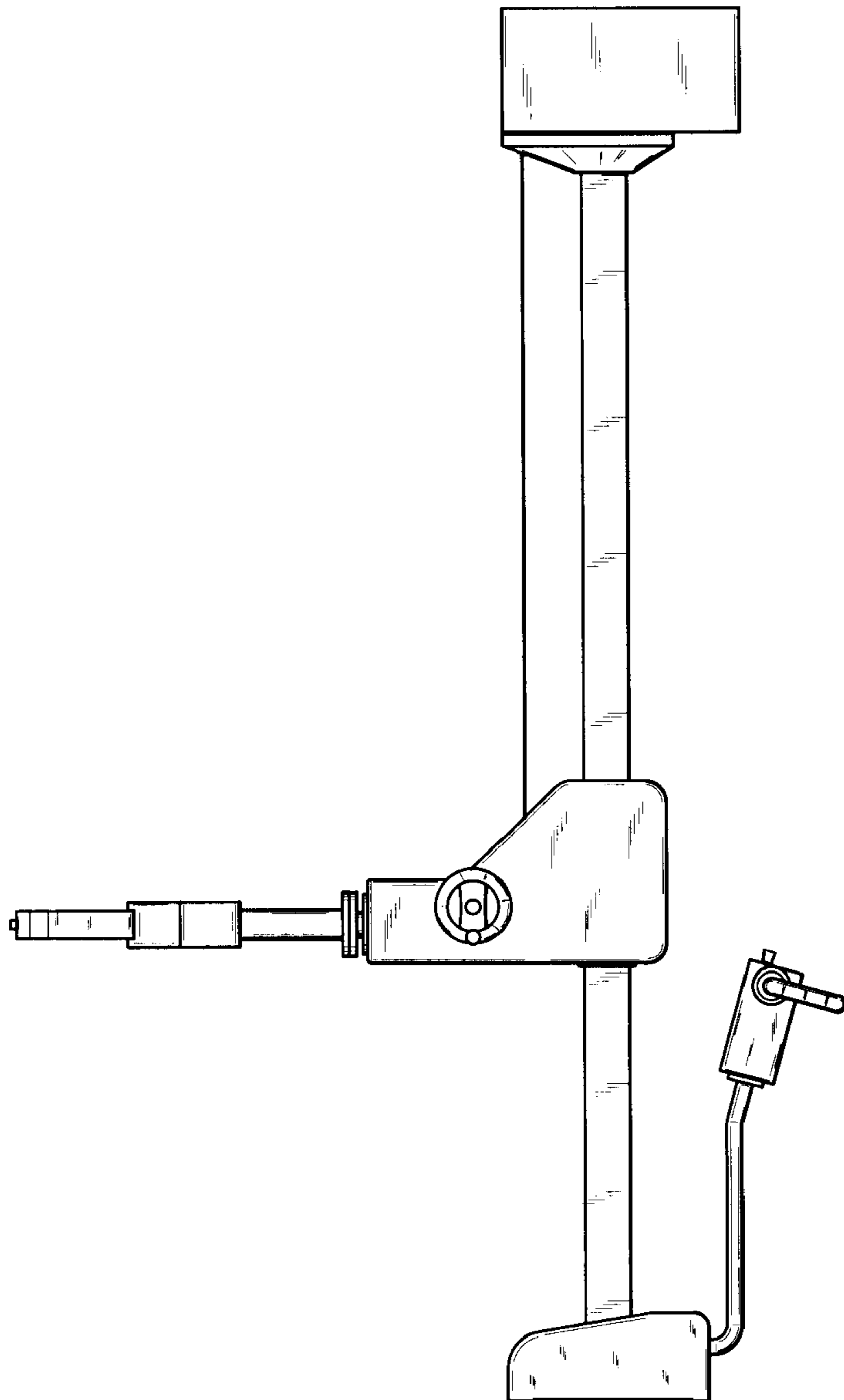


FIG.3

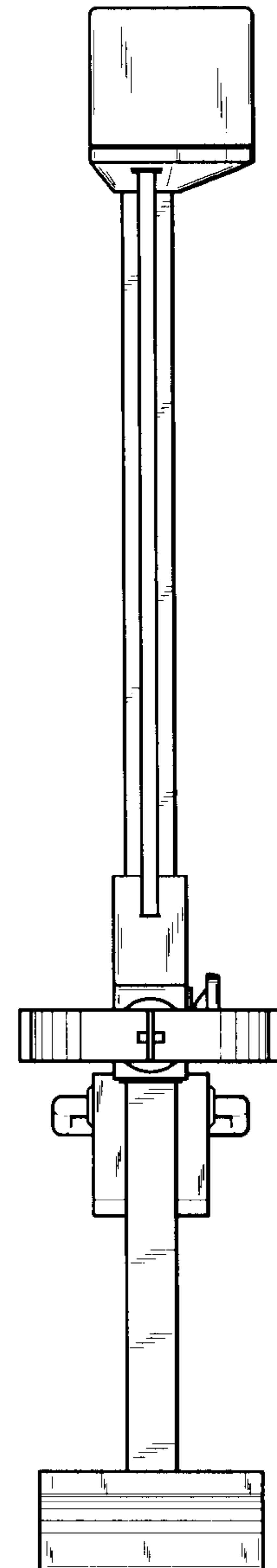


FIG.4

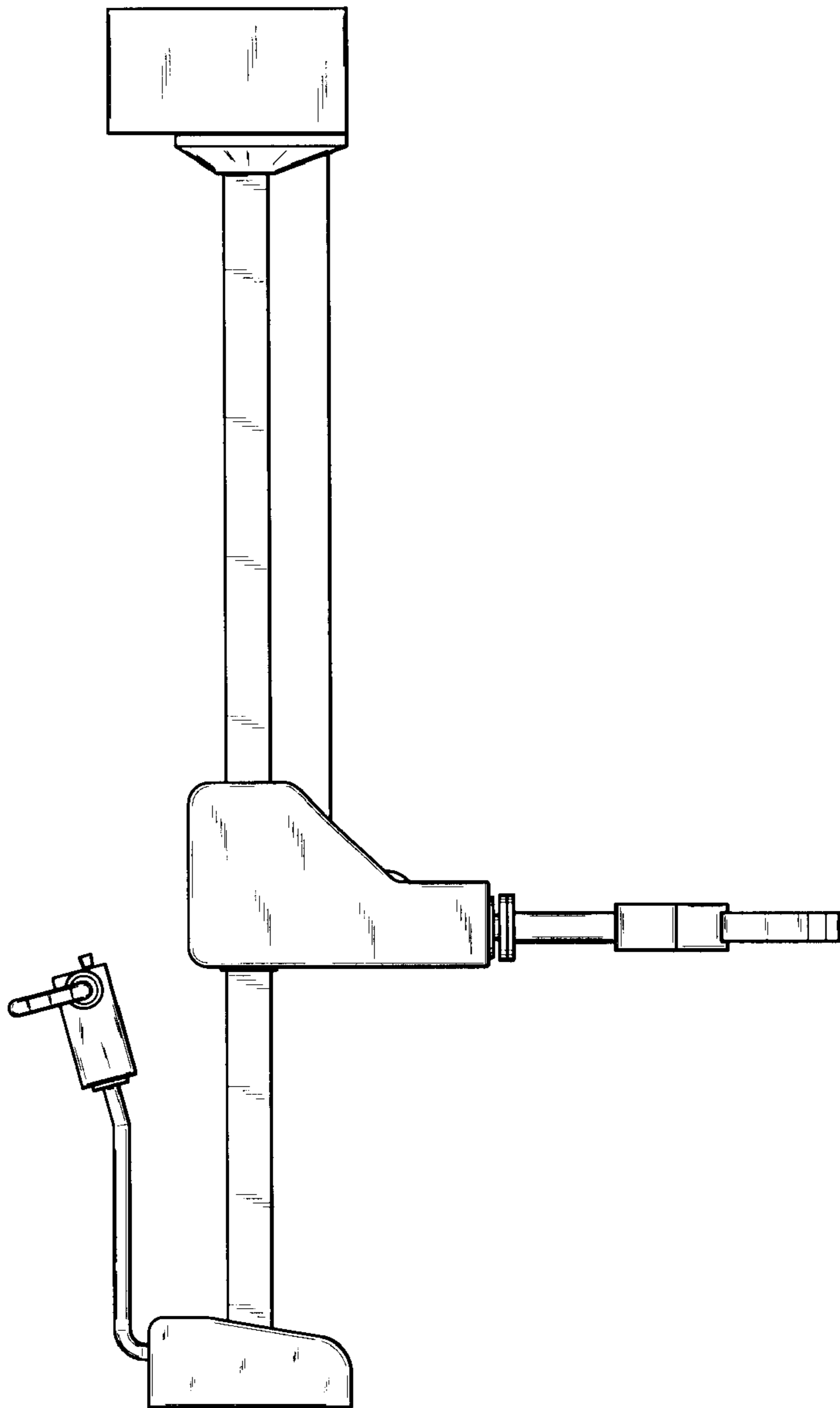


FIG.5

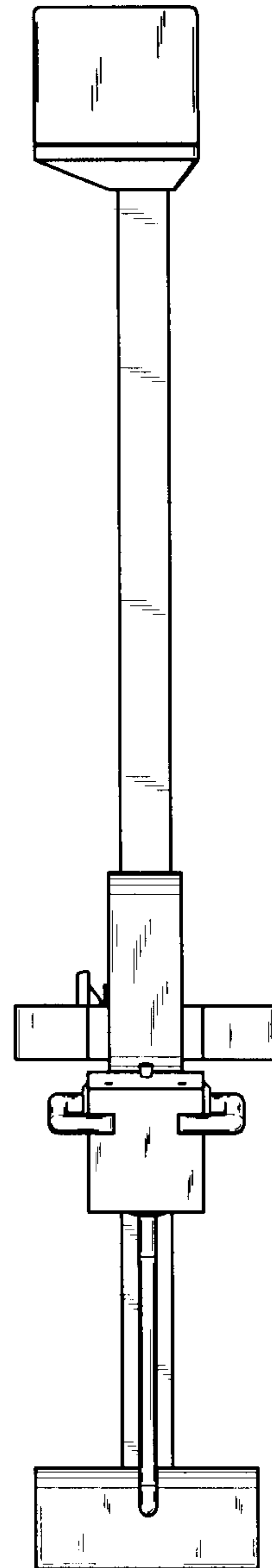


FIG. 6

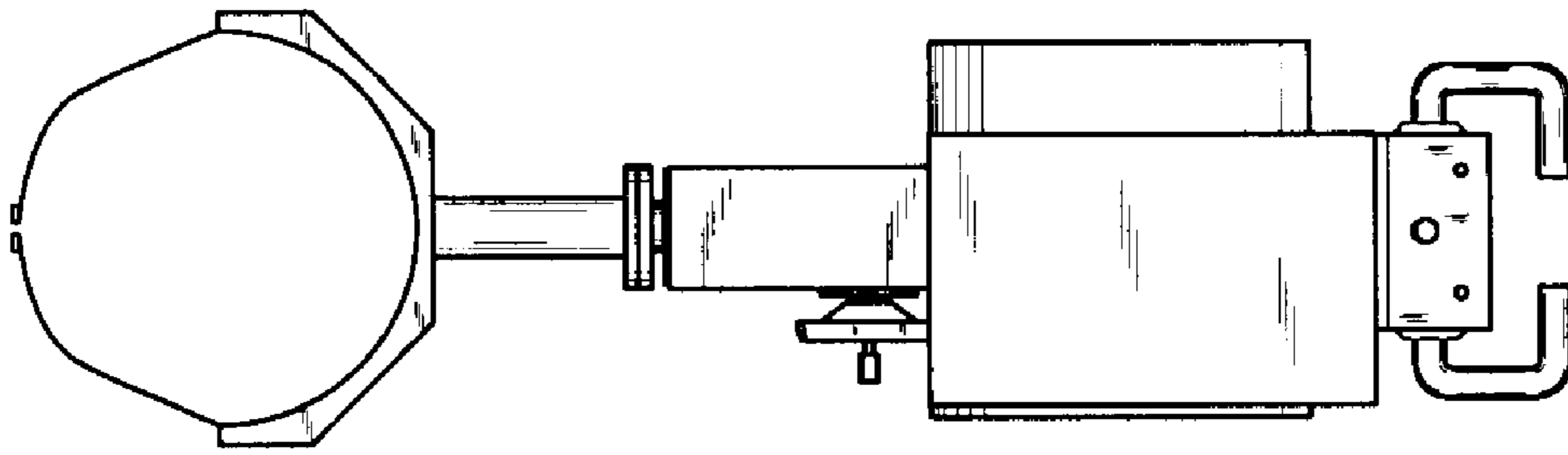


FIG. 7

