



US00D522708S

(12) **United States Design Patent**
Chang

(10) **Patent No.:** **US D522,708 S**

(45) **Date of Patent:** **** Jun. 6, 2006**

(54) **PUSHCART**

(75) **Inventor:** **Shih-Fang Chang**, Taichung Hsien
(TW)

(73) **Assignee:** **Thaler International Co., Ltd.**,
Taichung Hsien (TW)

(**) **Term:** **14 Years**

(21) **Appl. No.:** **29/204,931**

(22) **Filed:** **May 7, 2004**

(51) **LOC (8) Cl.** **12-02**

(52) **U.S. Cl.** **D34/24**

(58) **Field of Classification Search** D34/12-27,
D34/1; 280/47.131, 47.17-47.19, 47.24,
280/47.28, 47.27, 47.34, 47.2, 47.29, 47.315,
280/40, 200, 641, 652, 651, 655, 655.1, 646,
280/79.11, 79.2, 79.5; 180/19.1-19.3; 248/129;
414/490, 444; D15/13; D3/201

See application file for complete search history.

(56) **References Cited**

U.S. PATENT DOCUMENTS

D278,373 S	*	4/1985	Rousseau	D34/26
D303,883 S	*	10/1989	Higson et al.	D6/429
4,969,660 A	*	11/1990	Spak	280/646
D328,661 S	*	8/1992	vom Braucke et al.	D34/26
D335,738 S	*	5/1993	Tsai	D34/26
D339,442 S	*	9/1993	Holtz	D34/26

5,468,005 A	*	11/1995	Yang	280/40
D365,187 S	*	12/1995	Tsai	D34/26
D411,679 S	*	6/1999	Hsieh et al.	D34/24
5,971,424 A	*	10/1999	Ingalls	280/654
5,984,327 A	*	11/1999	Hsieh et al.	280/47.24
D453,602 S	*	2/2002	Chang	D34/24
D466,267 S	*	11/2002	Lee	D34/24
D468,882 S	*	1/2003	Hsieh et al.	D34/24
6,557,869 B1	*	5/2003	Gillette et al.	280/47.28
6,616,153 B1	*	9/2003	Matre et al.	280/47.29
D485,038 S	*	1/2004	Zimmer	D34/24

* cited by examiner

Primary Examiner—Freda Nunn

Assistant Examiner—Kevin K. Rudzinski

(74) *Attorney, Agent, or Firm*—Bacon & Thomas, PLLC

(57) **CLAIM**

The ornamental design for a pushcart, as shown.

DESCRIPTION

FIG. 1 is a perspective view of the pushcart showing my new design;

FIG. 2 is a front elevational view thereof;

FIG. 3 is a rear elevational view thereof;

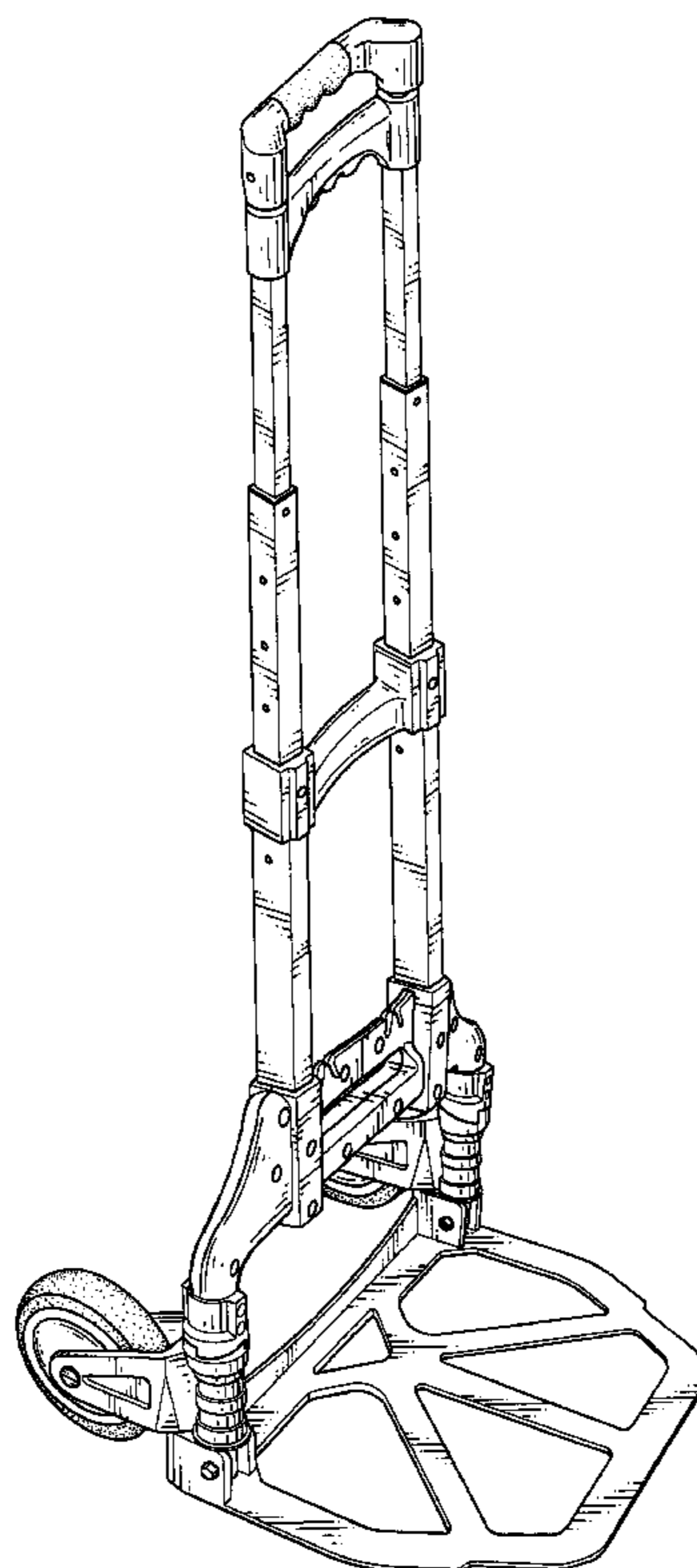
FIG. 4 is a left side view thereof;

FIG. 5 is a right side view thereof;

FIG. 6 is a top plane view thereof; and,

FIG. 7 is a bottom plane view thereof.

1 Claim, 6 Drawing Sheets



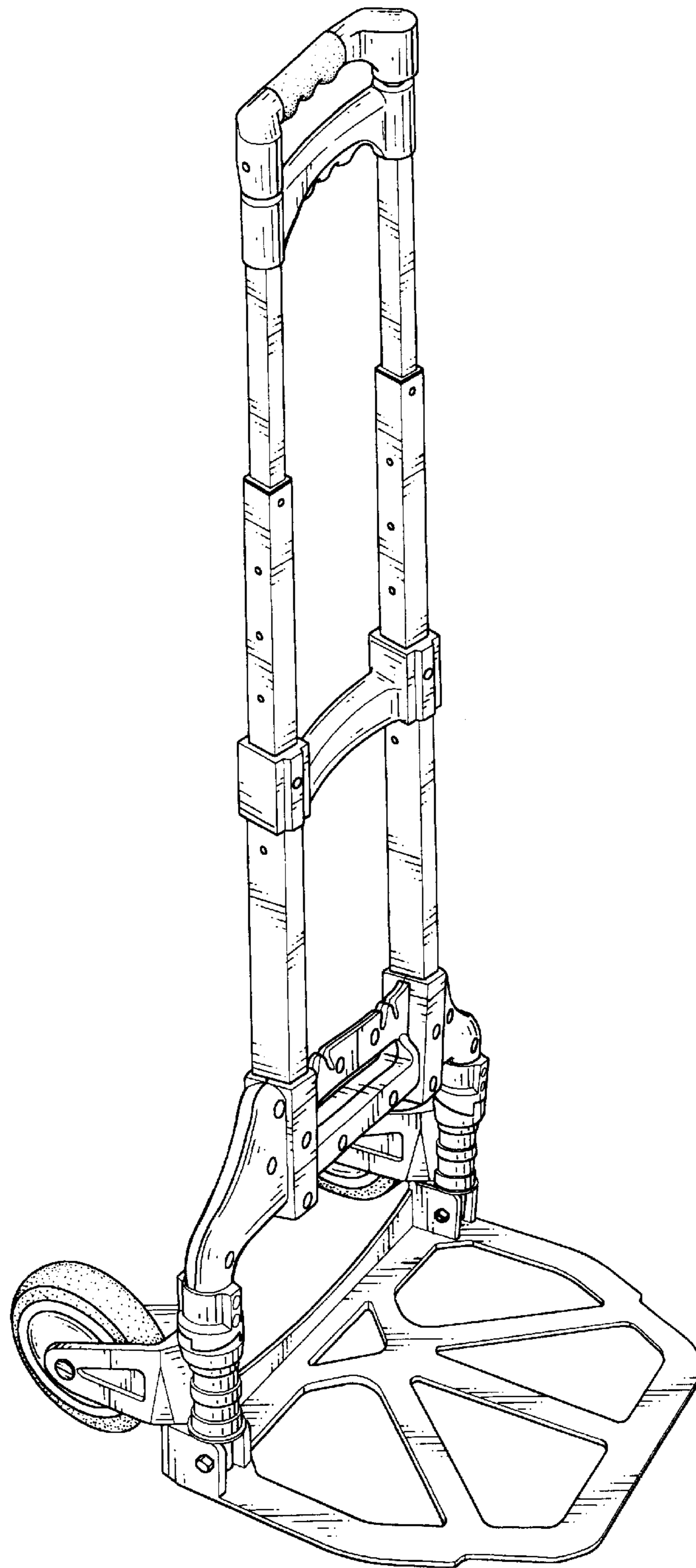


FIG. 1

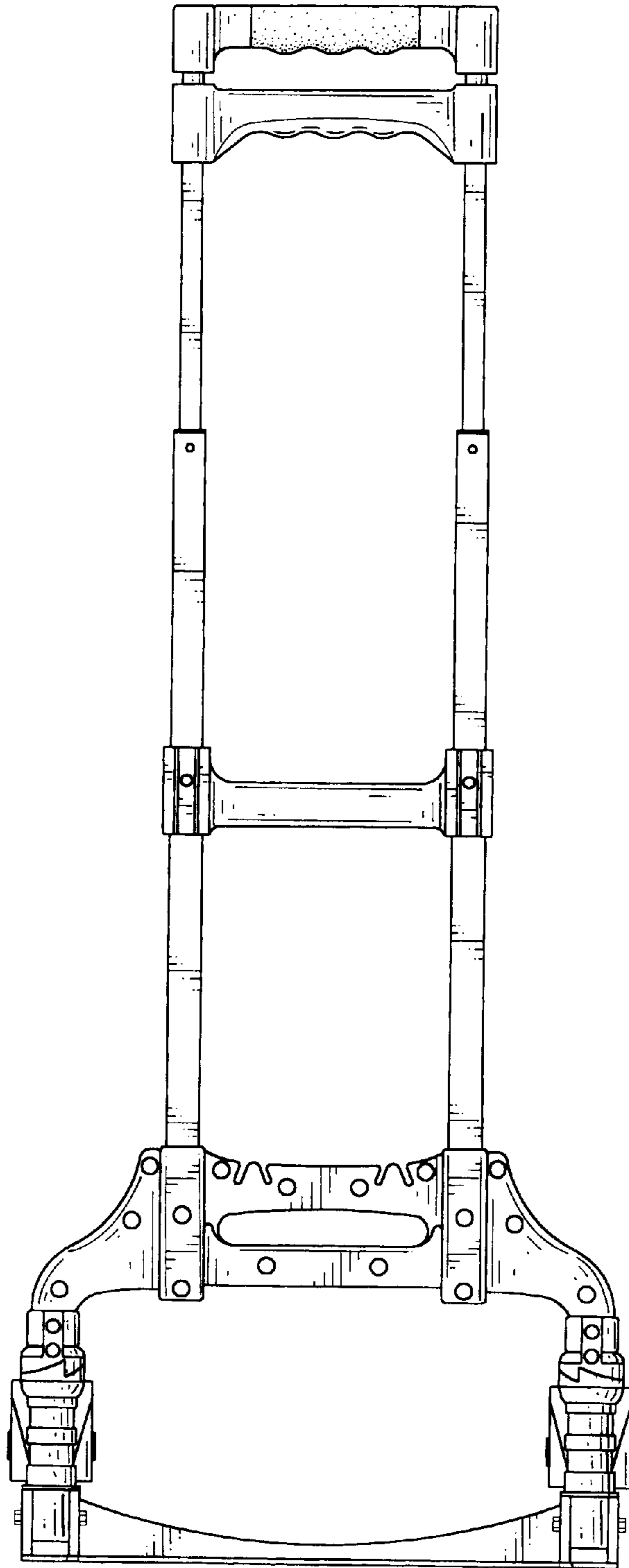


FIG. 2

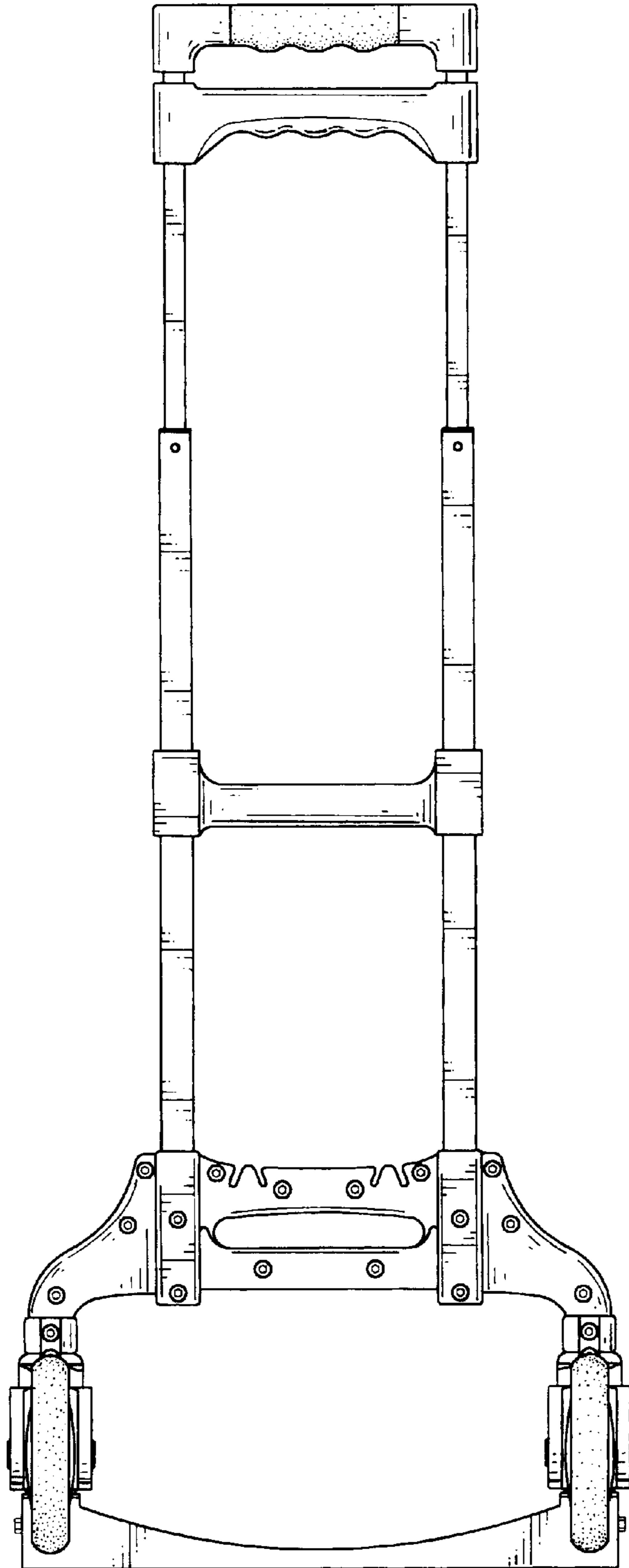


FIG. 3

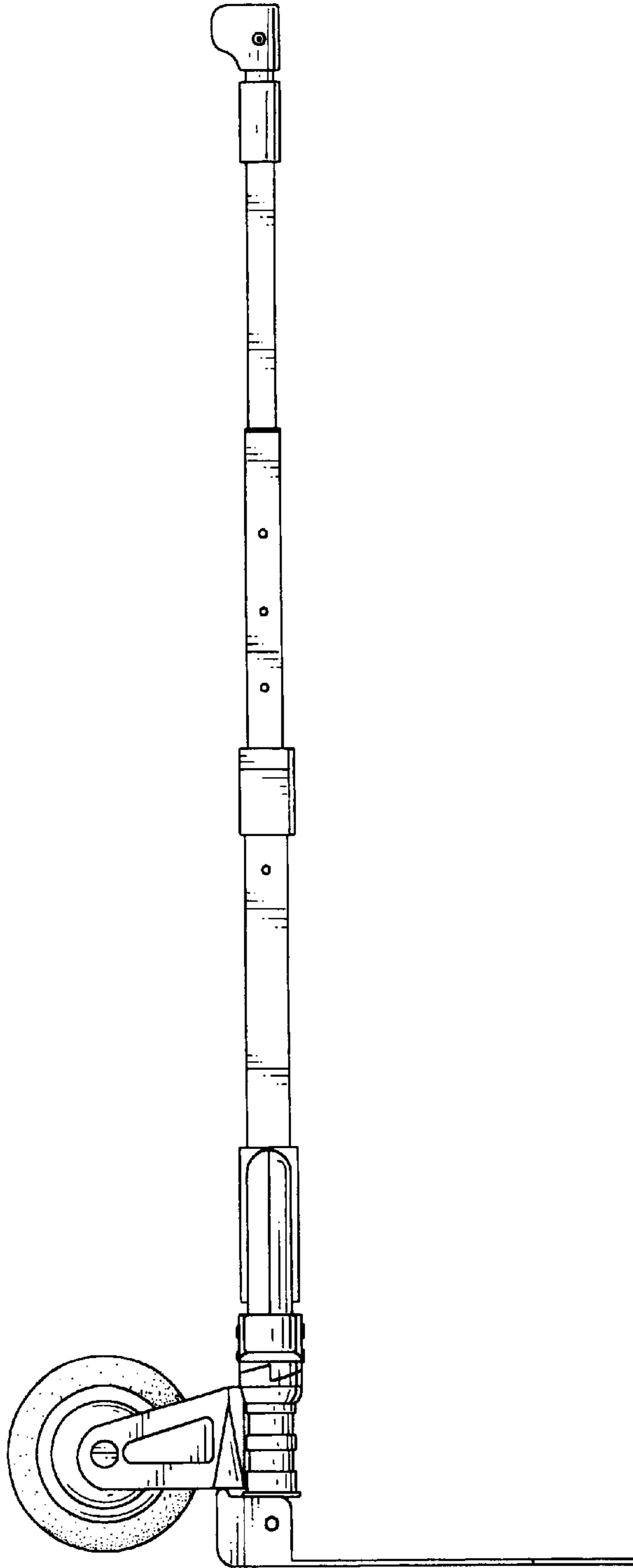


FIG. 4

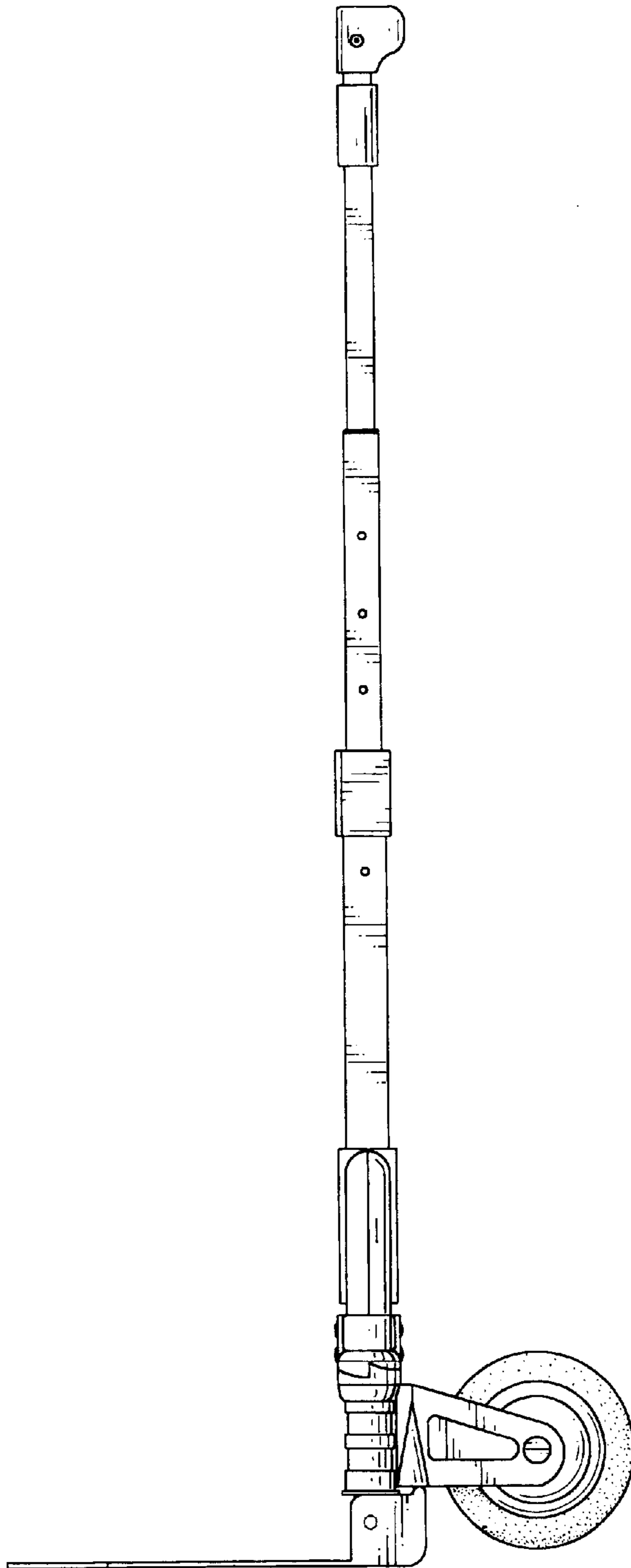


FIG. 5

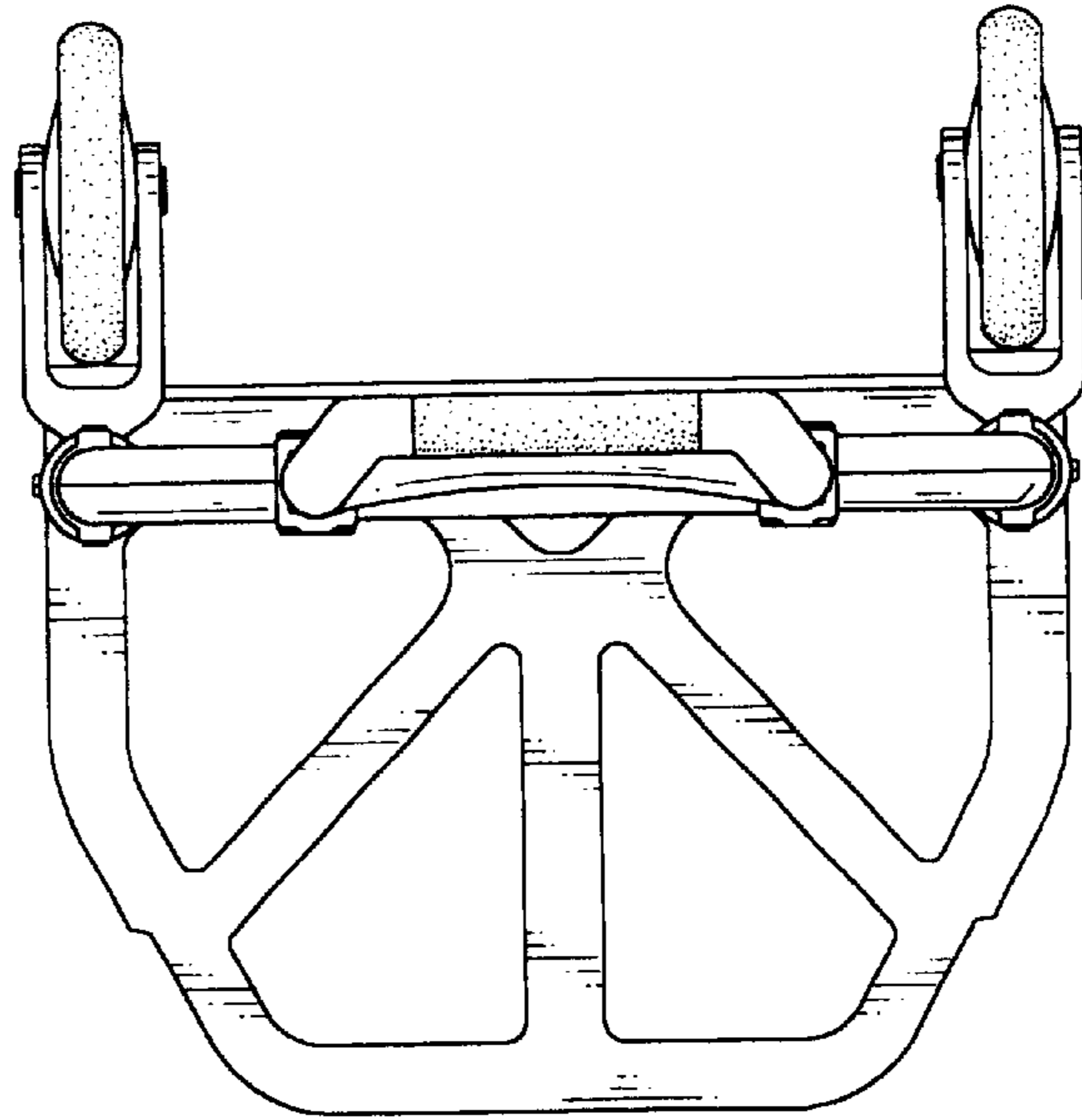


FIG. 6

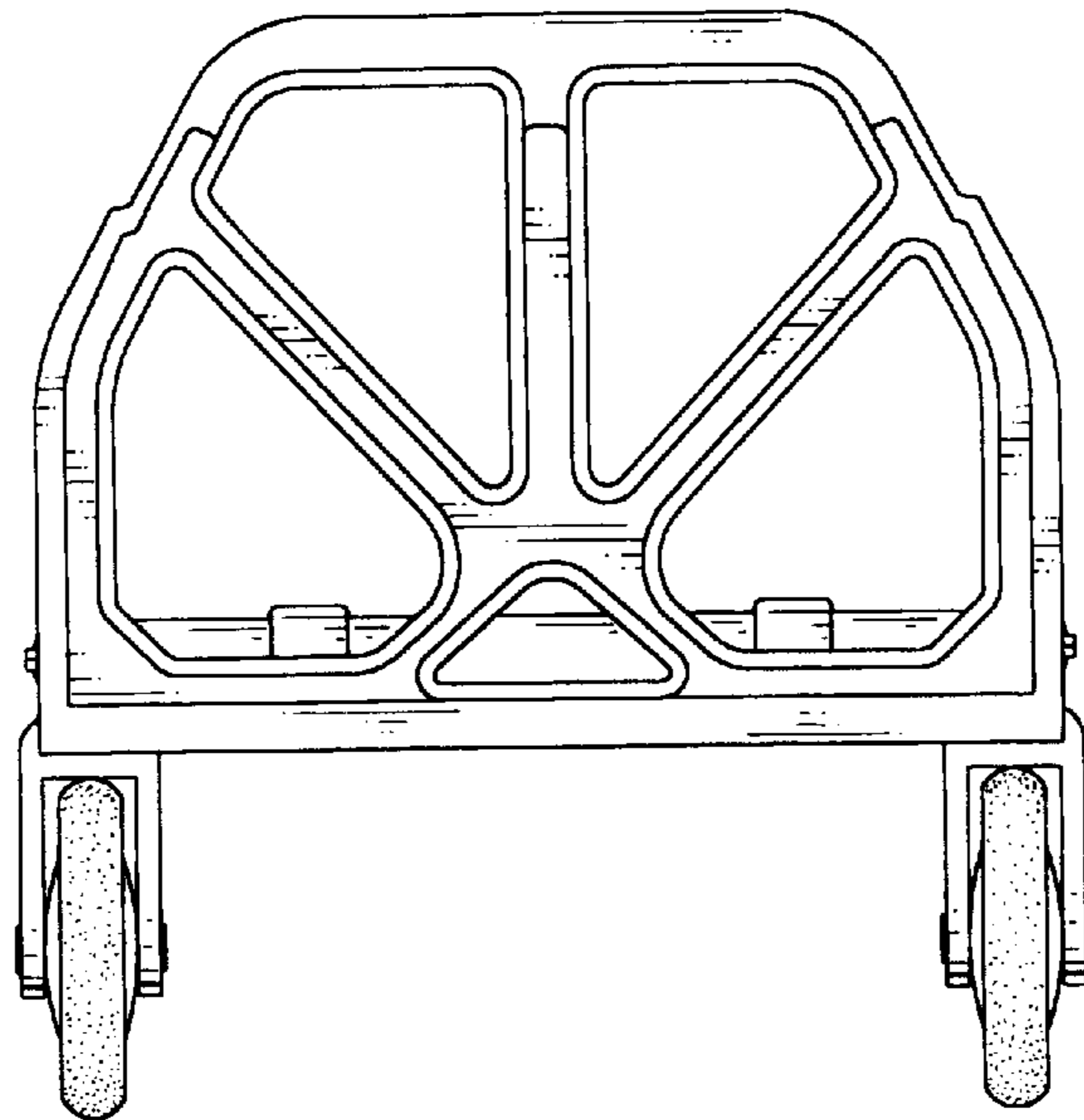


FIG. 7

UNITED STATES PATENT AND TRADEMARK OFFICE
Certificate

Patent No. D. 522,708 S

Patented: June 6, 2006

On petition requesting issuance of a certificate for correction of inventorship pursuant to 35 U.S.C. 256, it has been found that the above identified patent, through error and without any deceptive intent, improperly sets forth the inventorship.

Accordingly, it is hereby certified that the correct inventorship of this patent is: Shih-Fang Chang, Taichung Hsien (TW); and Shikun Jian, Yangjiang City (CH).

Signed and Sealed this First Day of January 2013.

CATHRON C. BROOKS
Supervisory Patent Examiner
Art Unit 2911
Technology Center 2900