



US00D522705S

(12) **United States Design Patent**
Lin

(10) **Patent No.:** **US D522,705 S**
(45) **Date of Patent:** **** Jun. 6, 2006**

(54) **GARBAGE CAN**

(76) **Inventor:** **Tsong-Yow Lin**, No. 57-1, Yung Ho Street, Yung Ho Village, Ta Tu Hsiang, Taichung Hsien (TW)

(**) **Term:** **14 Years**

(21) **Appl. No.:** **29/210,491**

(22) **Filed:** **Aug. 2, 2004**

(51) **LOC (8) Cl.** **09-09**

(52) **U.S. Cl.** **D34/9**

(58) **Field of Classification Search** D34/1,
D34/4, 5, 6, 7, 8, 9, 10, 11; 220/908-913,
220/262-264

See application file for complete search history.

(56) **References Cited**

U.S. PATENT DOCUMENTS

2,246,975	A	*	6/1941	Geibel	220/23.87
D465,894	S	*	11/2002	Lin	D34/9
D466,265	S	*	11/2002	Lin	D34/9
D466,667	S	*	12/2002	Lin	D34/9
D482,833	S	*	11/2003	Lin	D34/9

D488,605	S	*	4/2004	Chen	D34/9
D491,707	S	*	6/2004	Lin	D34/9
D493,930	S	*	8/2004	Wang	D34/9
D503,022	S	*	3/2005	Lai	D34/9
D503,502	S	*	3/2005	Lai	D34/9

* cited by examiner

Primary Examiner—Cynthia E. Ramirez

(74) *Attorney, Agent, or Firm*—Alan D. Kamrath; Nikolai & Mersereau, P.A.

(57) **CLAIM**

The ornamental design for garbage can, as shown and described.

DESCRIPTION

FIG. 1 is a perspective view of garbage can showing my new design;

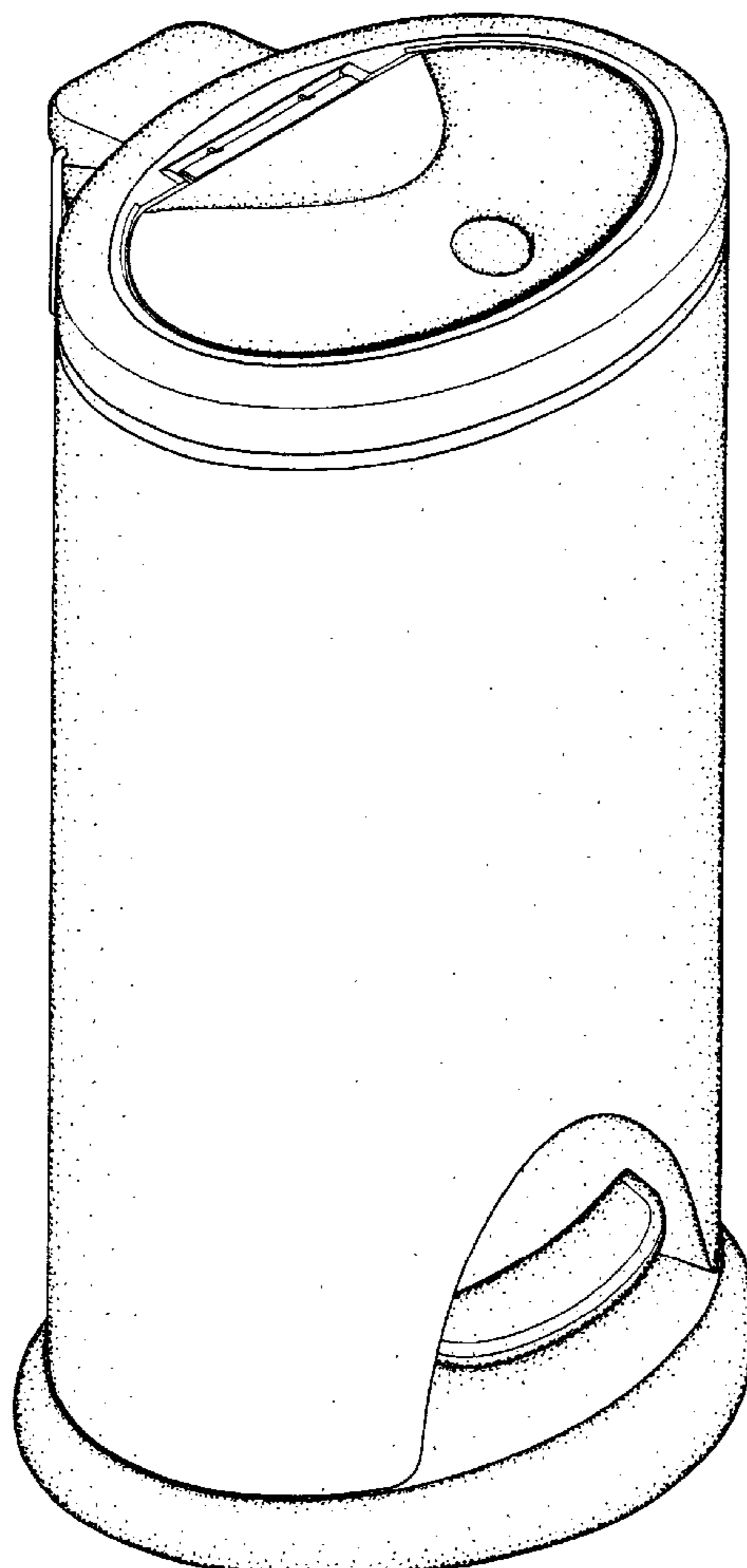
FIG. 2 is a front view thereof;

FIG. 3 is a rear view thereof;

FIG. 4 is a left view thereof; the opposite side being a mirror image of the shown; and,

FIG. 5 is a top view thereof.

1 Claim, 3 Drawing Sheets



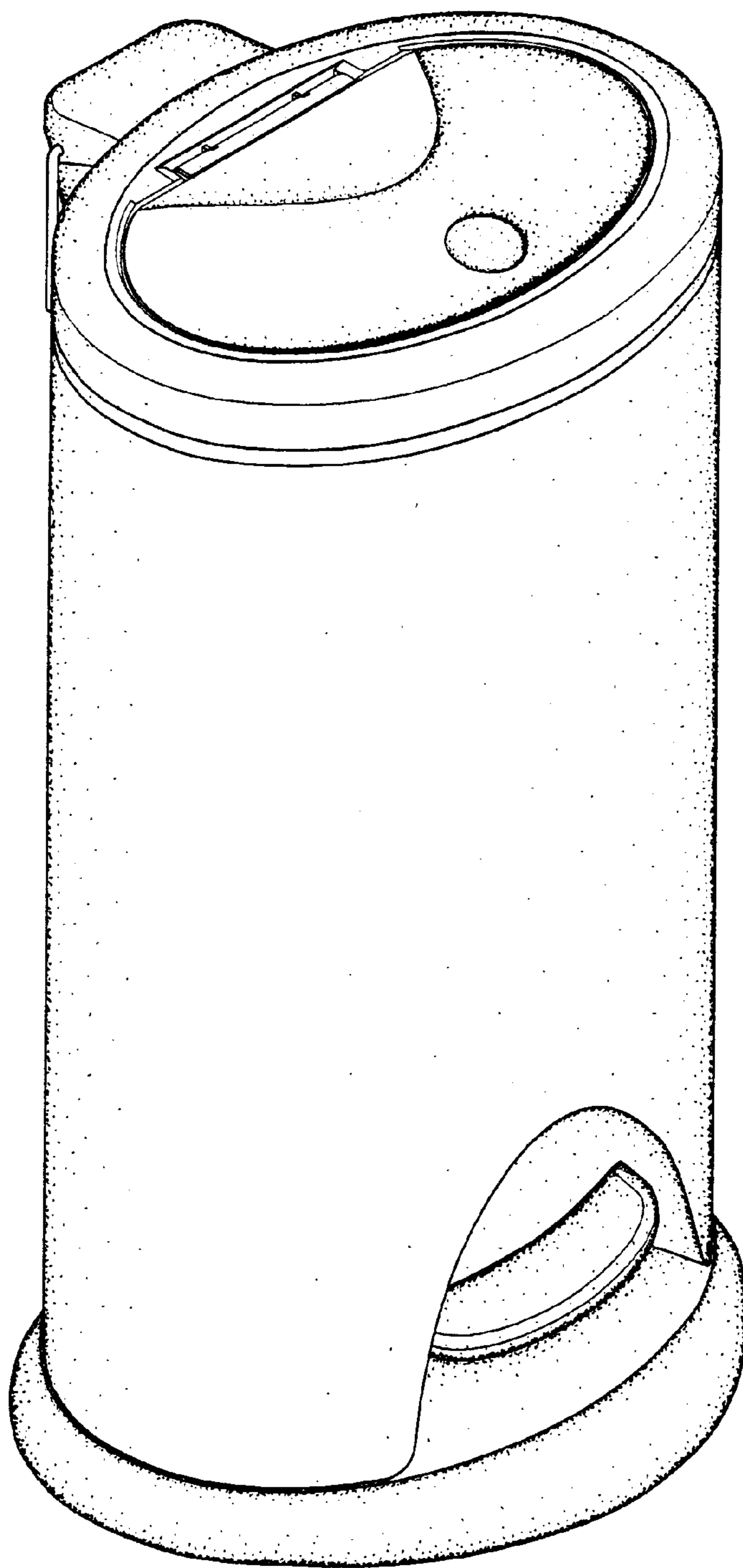


Fig. 1

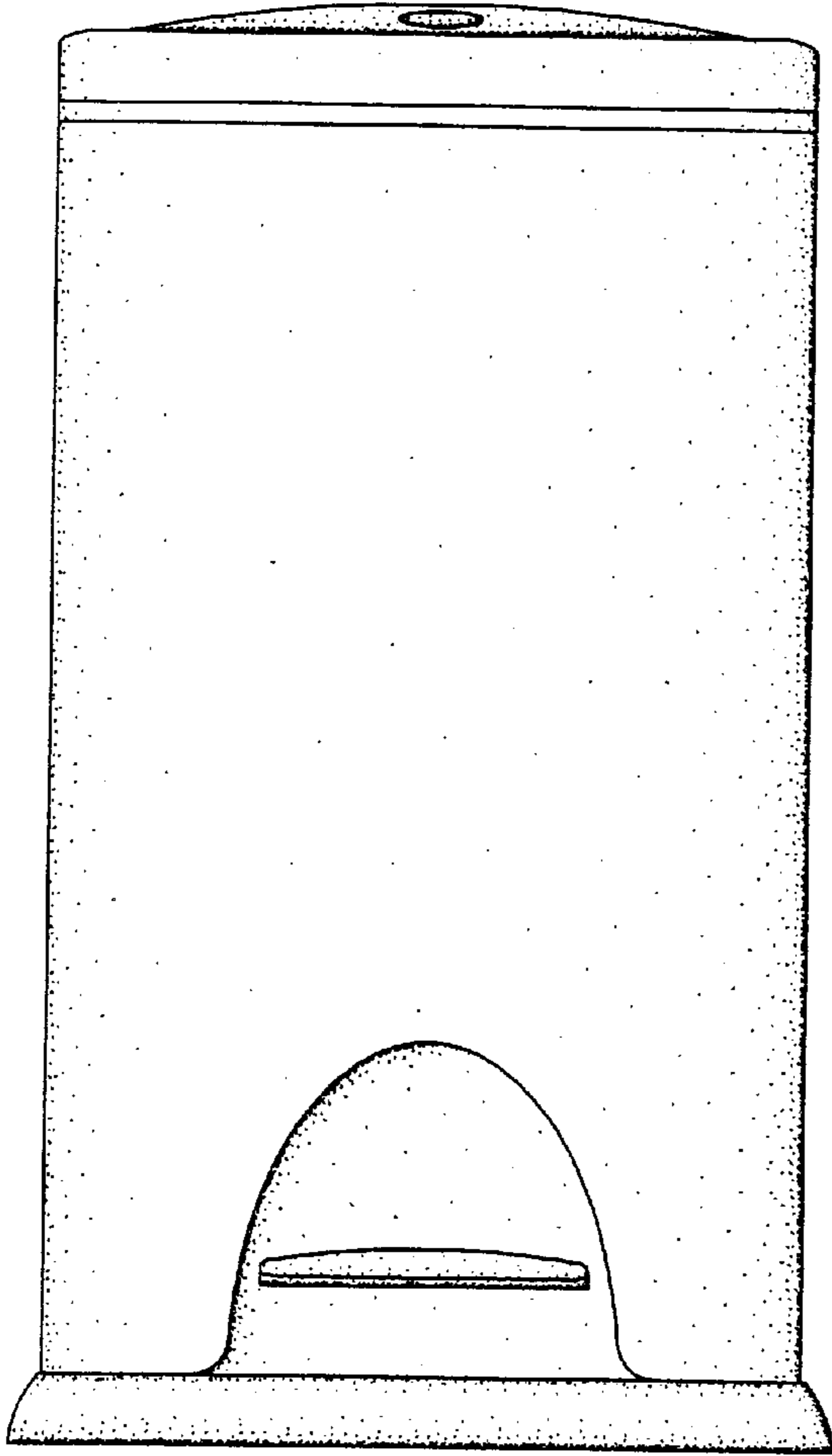


Fig. 2

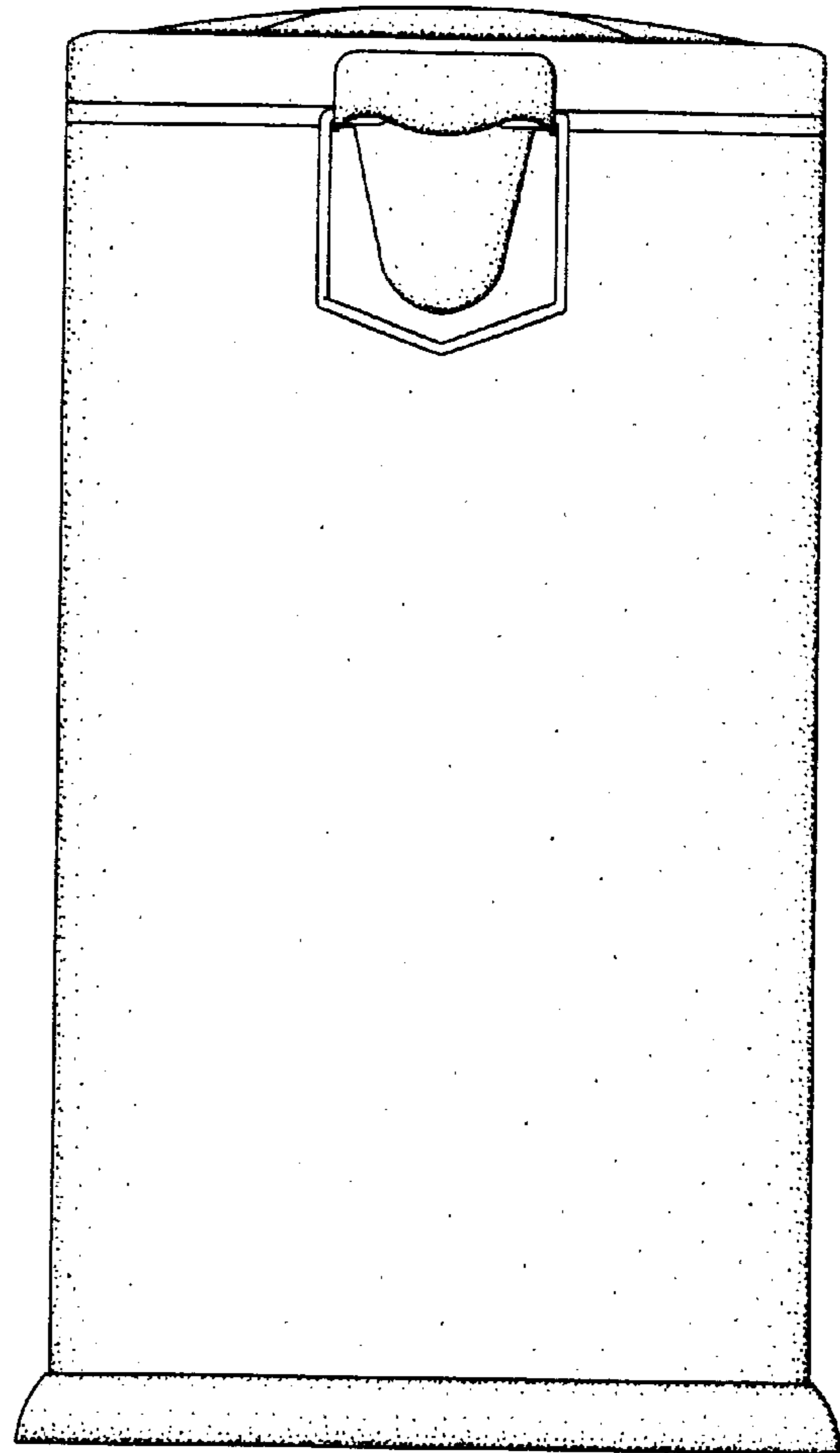


Fig. 3

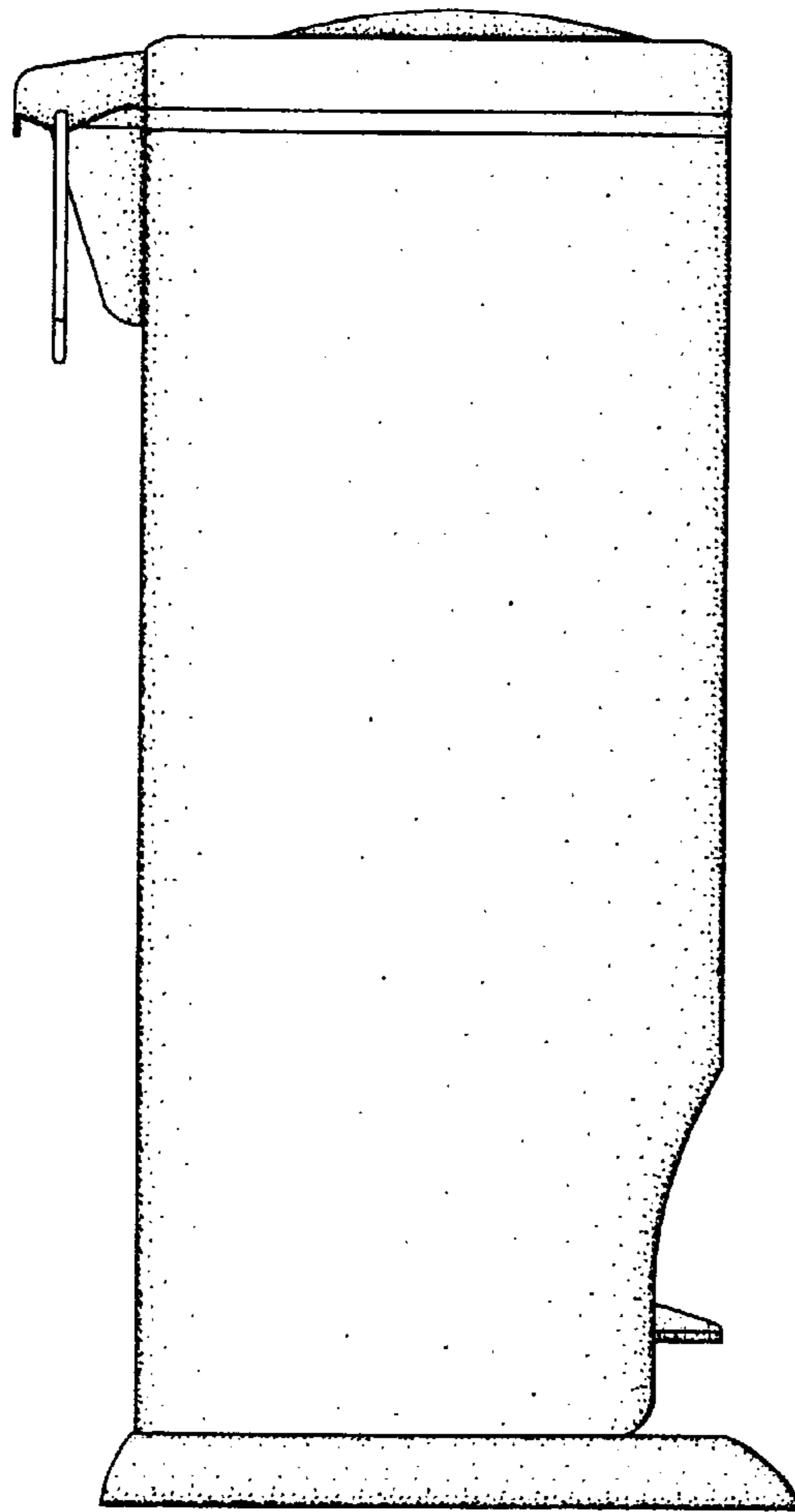


Fig. 4

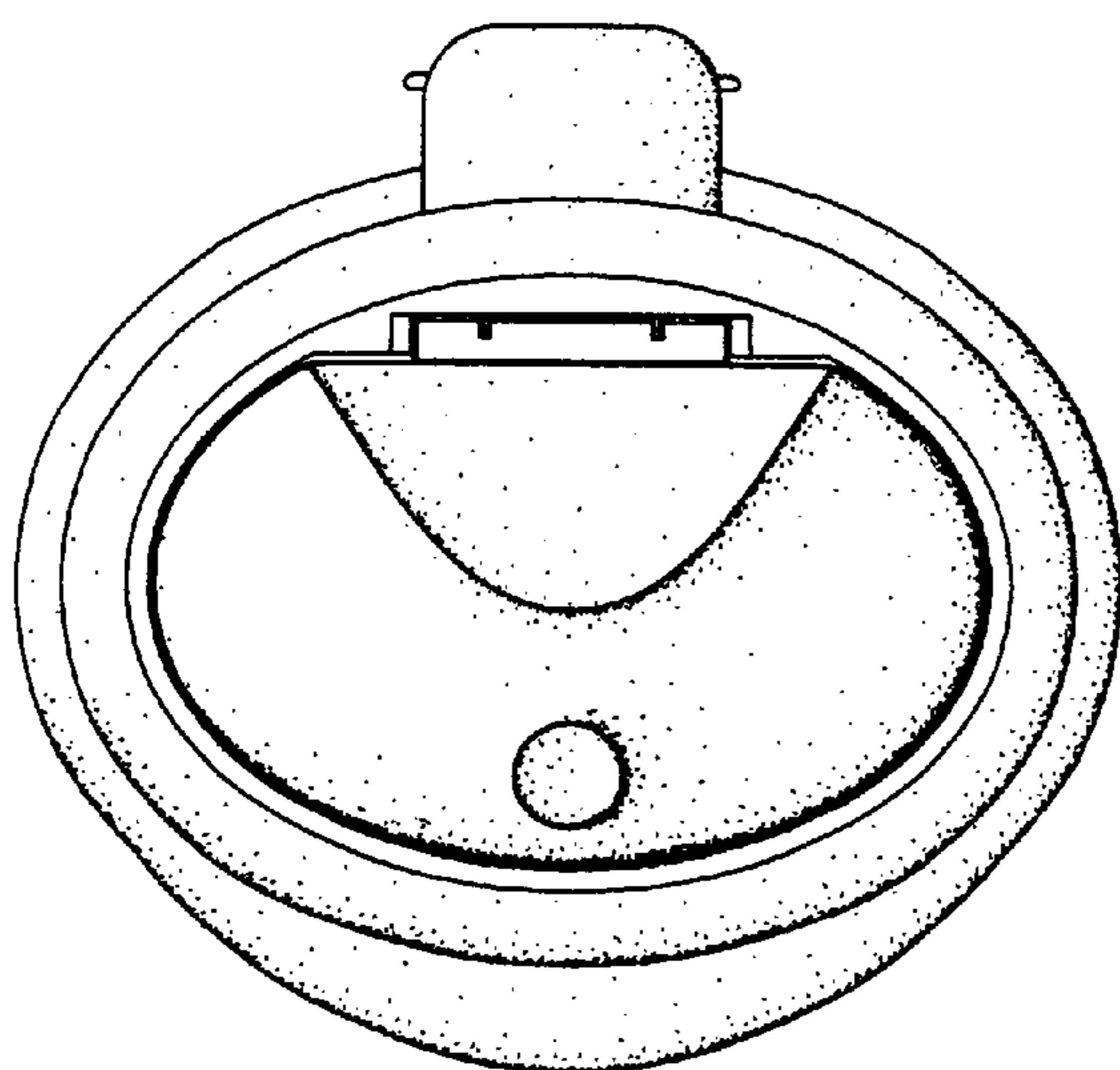


Fig. 5