



US00D522699S

(12) **United States Design Patent**
Colvin et al.

(10) **Patent No.:** **US D522,699 S**

(45) **Date of Patent:** **** Jun. 6, 2006**

(54) **GUARD FOR A BIRD FEEDER**

(75) Inventors: **Barry D. Colvin**, Bristol, RI (US);
Kenneth M. DiOrio, Warren, RI (US)

(73) Assignee: **Aspects, Inc.**, Warren, RI (US)

(**) Term: **14 Years**

(21) Appl. No.: **29/224,793**

(22) Filed: **Mar. 7, 2005**

(51) **LOC (8) Cl.** **30-02**

(52) **U.S. Cl.** **D30/119**

(58) **Field of Classification Search** D30/119,
D30/121, 124, 126-28, 132, 199; 119/469-70,
119/51.5, 52.3, 57.8-57.9, 52.4, 459, 63;
D3/5; D11/130, 154; D26/129-31, 91; 493/950;
362/162, 351, 355, 358; 29/91.5
See application file for complete search history.

(56) **References Cited**

U.S. PATENT DOCUMENTS

2,765,400	A	*	10/1956	Scherer	29/91.5
D244,098	S	*	4/1977	Kilham	D30/128
4,030,451	A	*	6/1977	Miller	119/57.9
D252,162	S	*	6/1979	Barry	D30/128
D265,939	S	*	8/1982	Kilham	D30/124
4,361,116	A	*	11/1982	Kilham	119/51.01
D335,006	S	*	4/1993	Blasbalg	D30/127

D339,207	S	*	9/1993	Porter	D26/130
5,893,335	A	*	4/1999	Goodwin	119/52.2
D423,731	S	*	4/2000	Heitz	D30/125
D452,048	S	*	12/2001	Colwell	D30/119

* cited by examiner

Primary Examiner—Alan P. Douglas

Assistant Examiner—Susan Moon Lee

(74) *Attorney, Agent, or Firm*—Barlow, Josephs & Holmes, Ltd.

(57) **CLAIM**

The ornamental design for a guard for a bird feeder, as shown and described.

DESCRIPTION

FIG. 1 is a perspective view of a guard for a bird feeder showing our new design;

FIG. 2 is a front elevational view thereof;

FIG. 3 is a rear elevational view thereof;

FIG. 4 is a left side elevational view thereof;

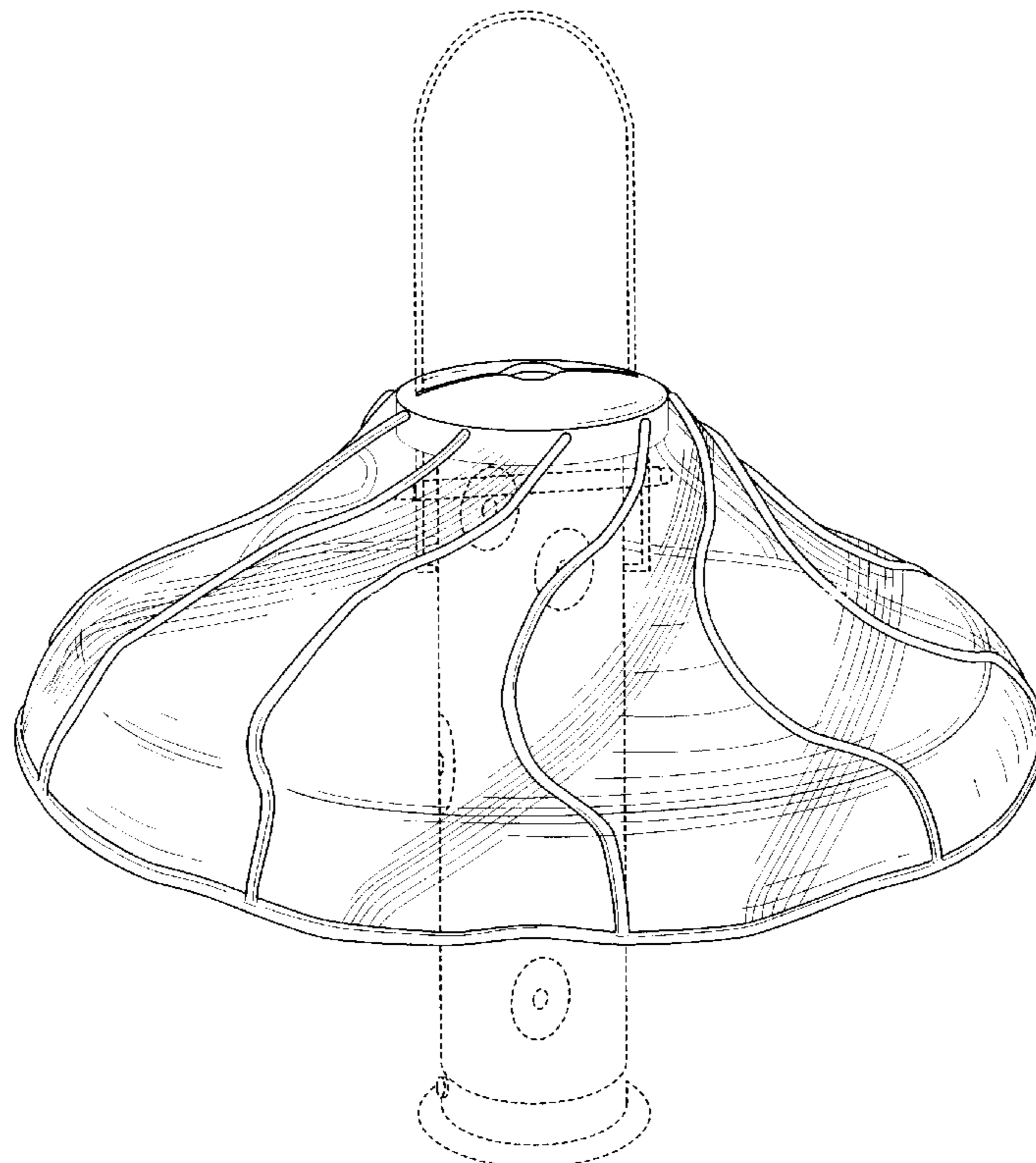
FIG. 5 is a right side elevational view thereof;

FIG. 6 is a top view thereof;

FIG. 7 is a bottom view thereof; and,

FIG. 8 is a perspective view of the guard for a bird feeder mounted on a bird feeder, which is shown in broken lines where the broken lines form no part of the present invention, to show environment of the present invention.

1 Claim, 8 Drawing Sheets



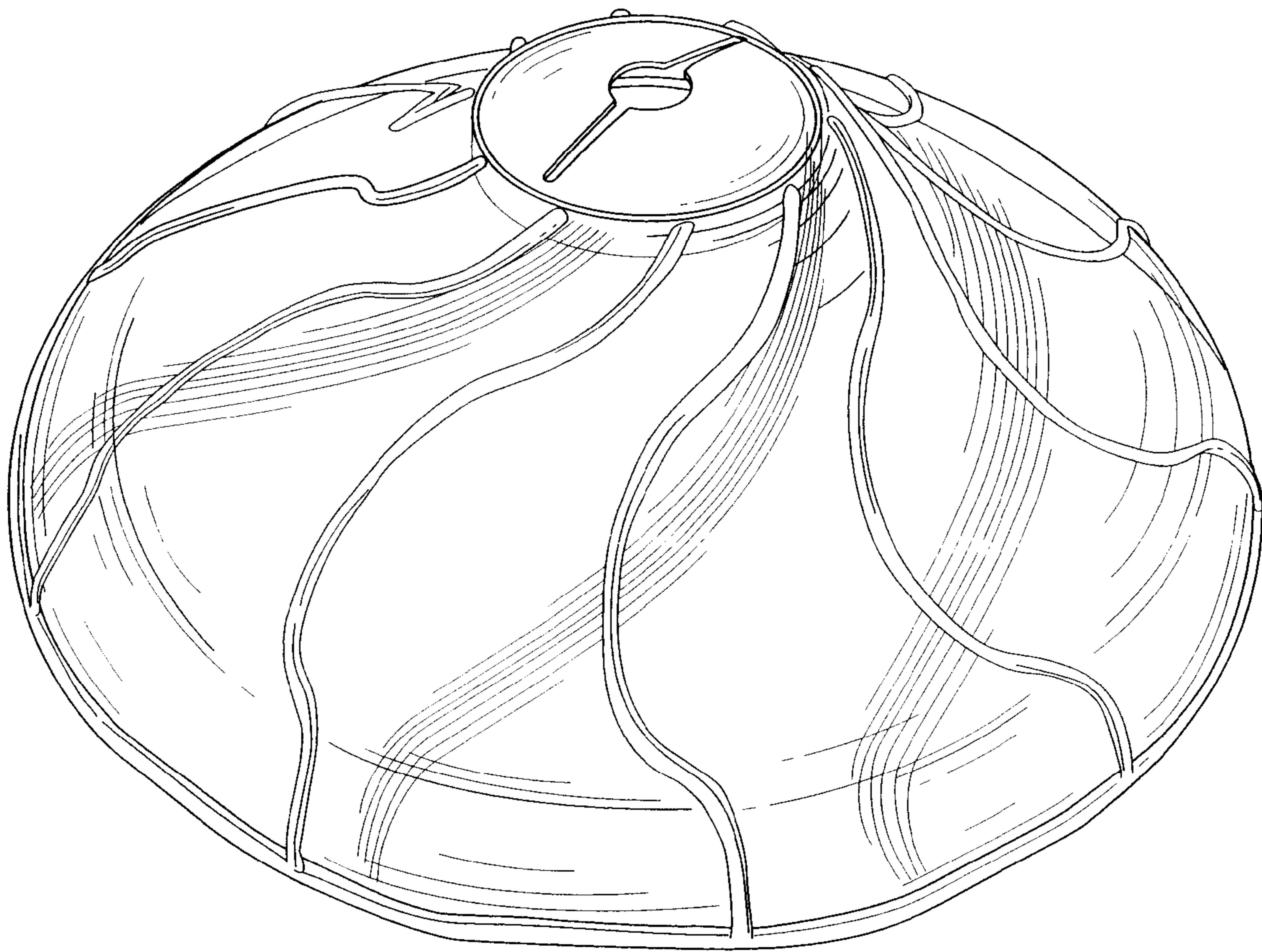


FIG. 1

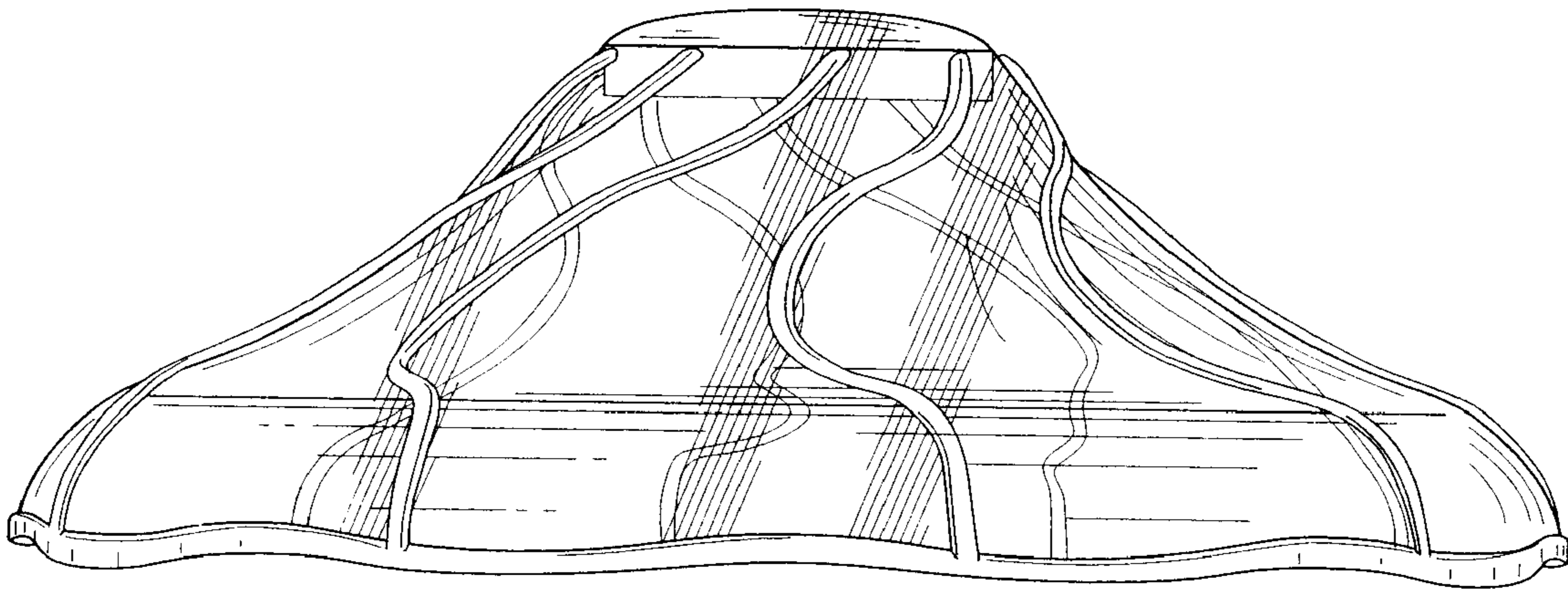


FIG. 2

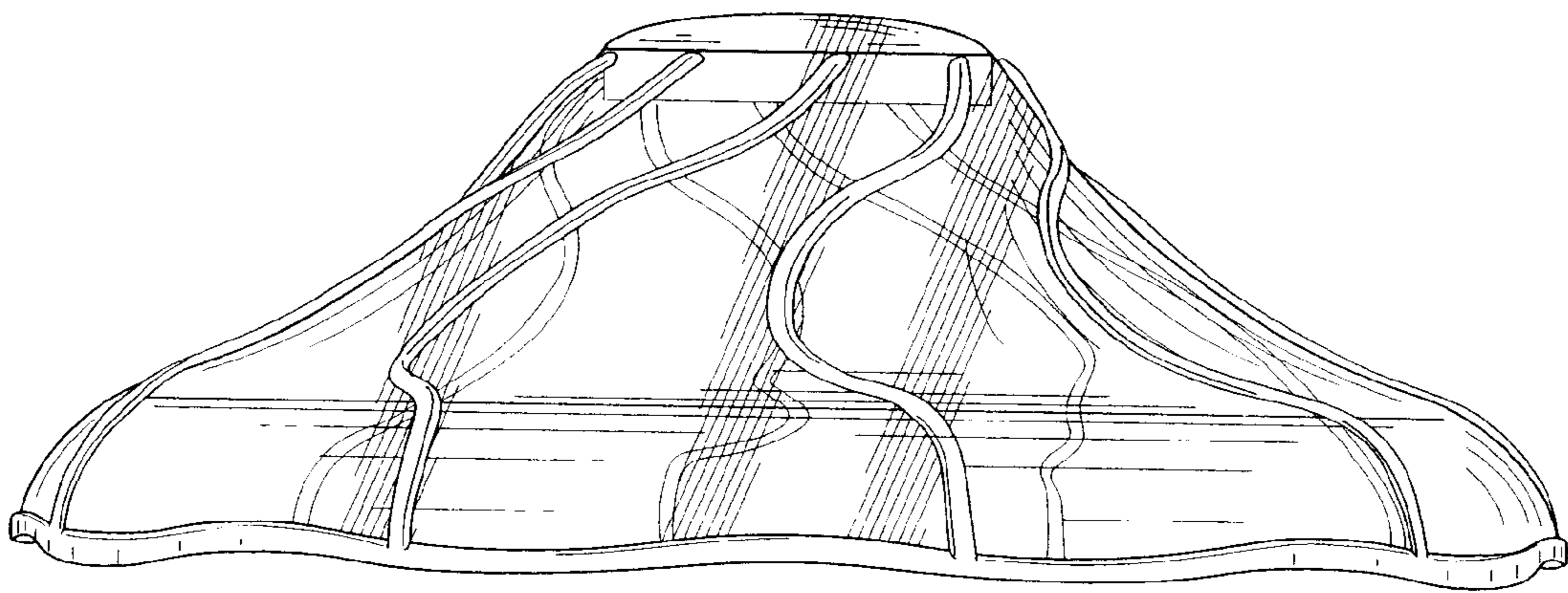


FIG. 3

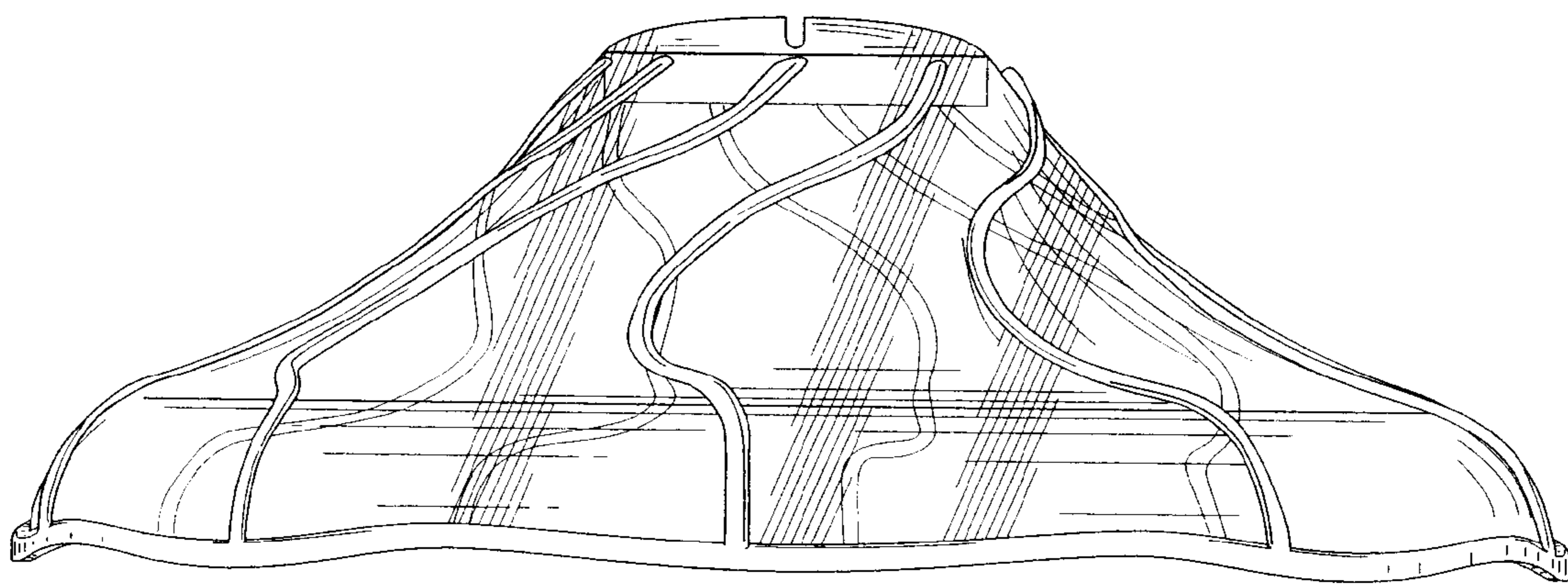


FIG. 4

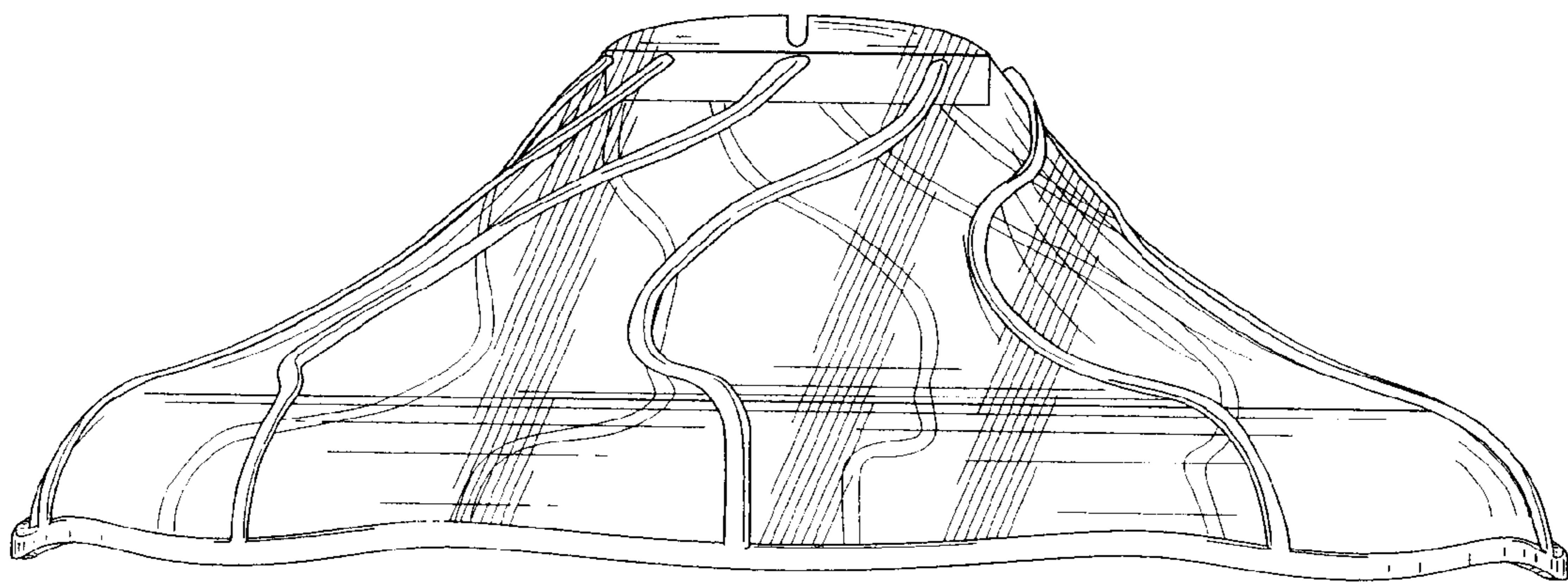


FIG. 5

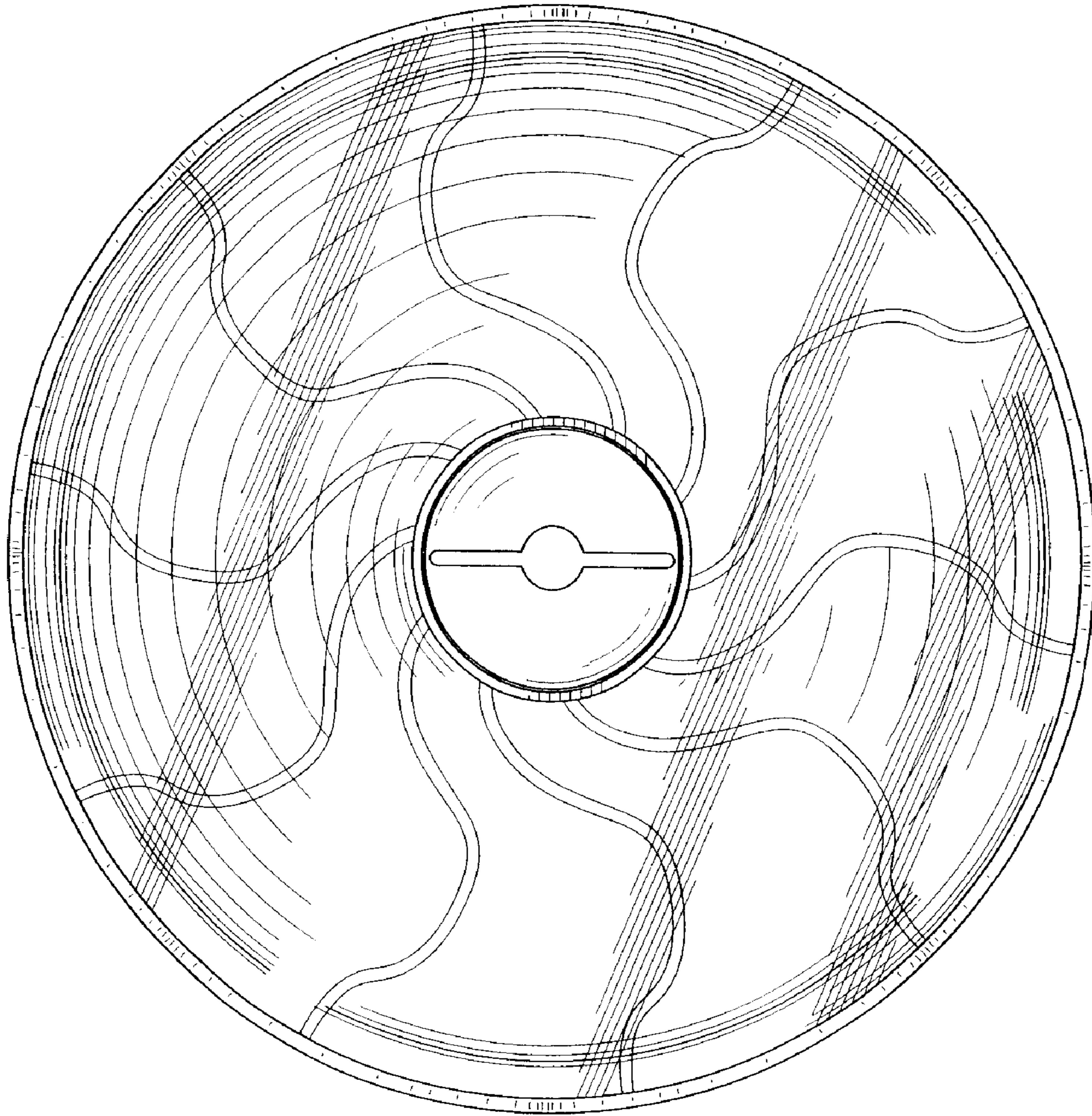


FIG. 6

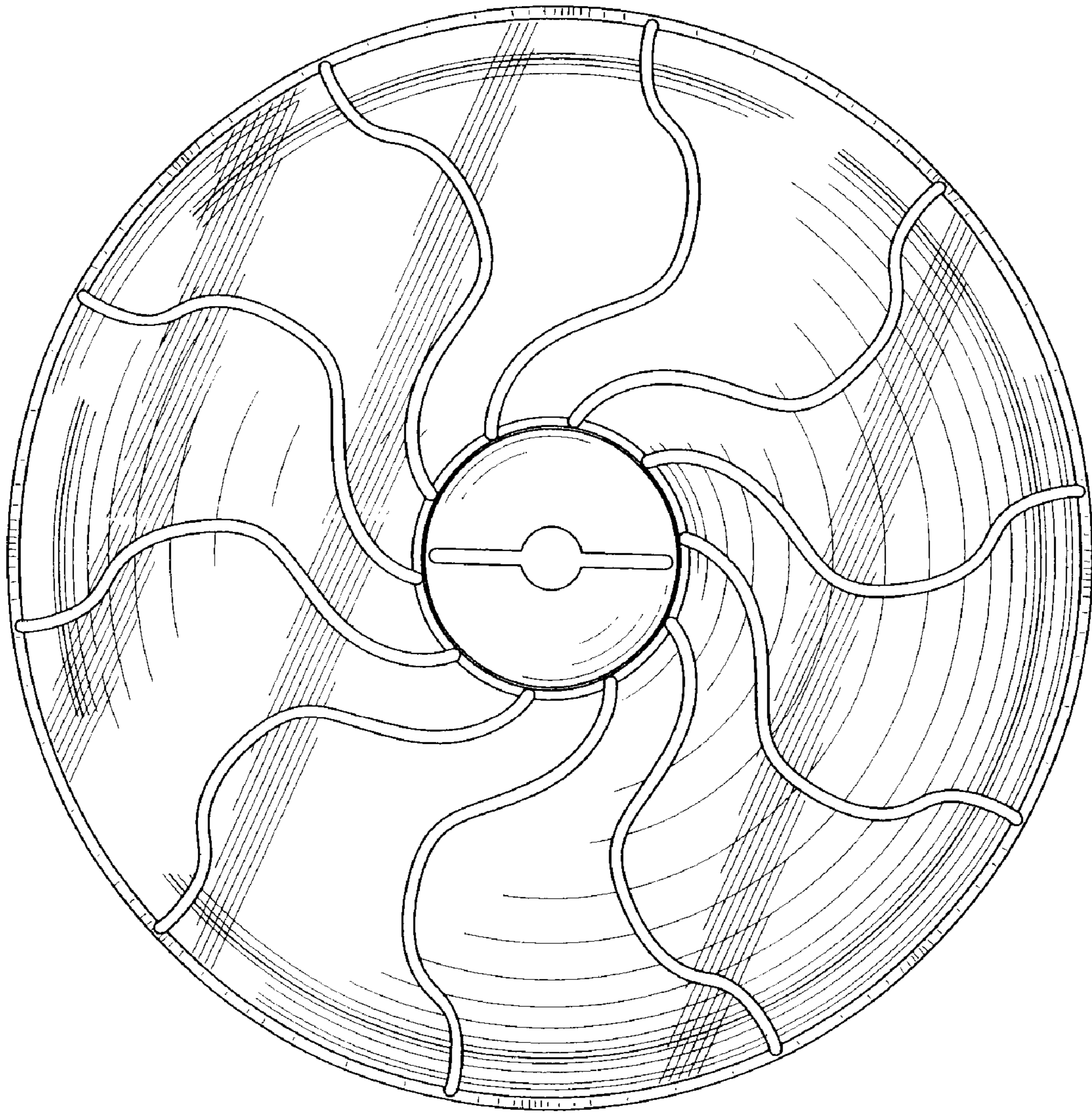


FIG. 7

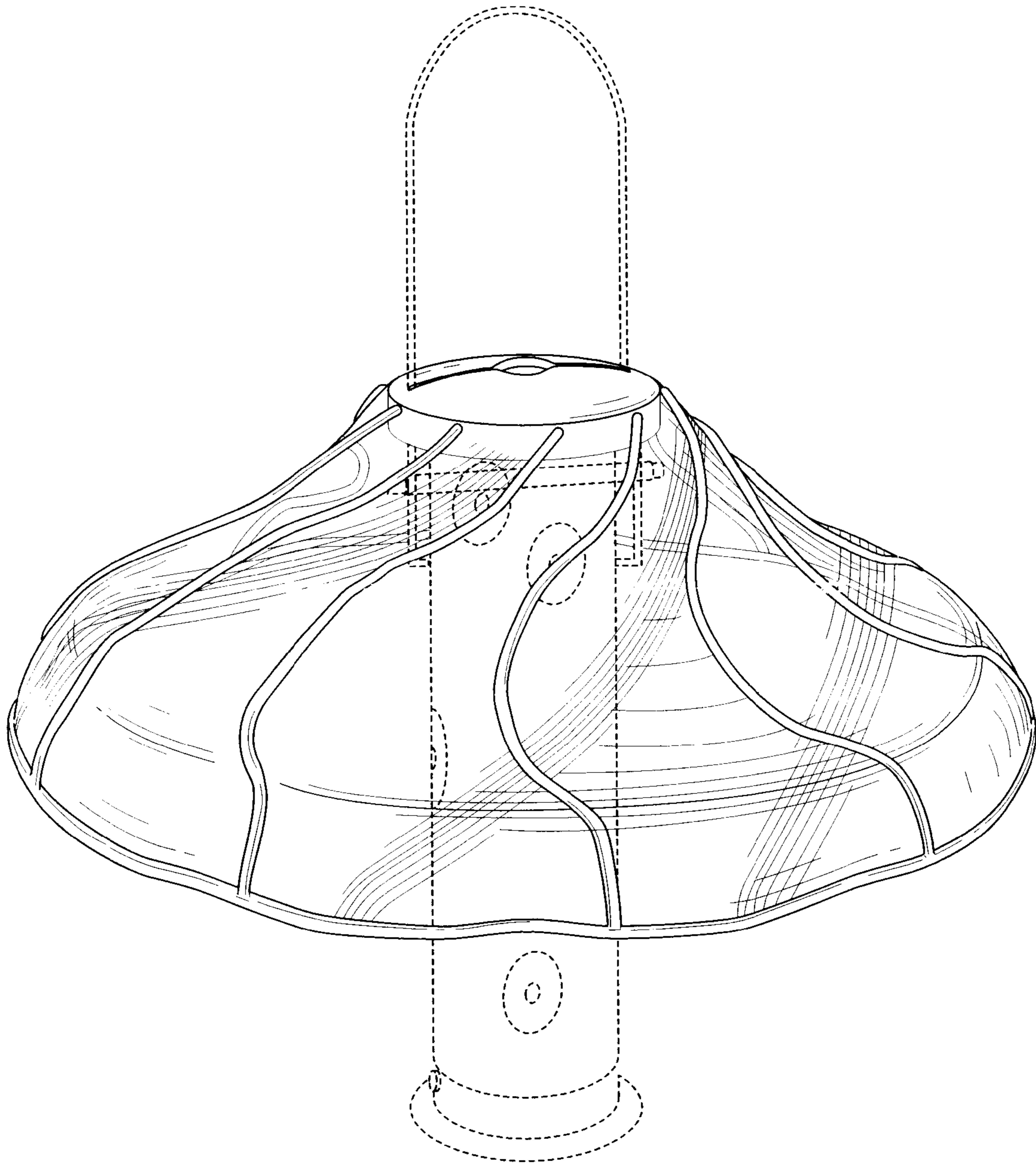


FIG. 8