



US00D522695S

(12) **United States Design Patent**
Desdoigts

(10) **Patent No.:** **US D522,695 S**

(45) **Date of Patent:** **** Jun. 6, 2006**

(54) **COSMETIC CONTAINER**

(75) Inventor: **Olivier Desdoigts**, Paris (FR)

(73) Assignee: **Clarins S.A.**, Neuilly-sur-Seine (FR)

(**) Term: **14 Years**

(21) Appl. No.: **29/226,542**

(22) Filed: **Mar. 30, 2005**

(51) **LOC (8) Cl.** **28-03**

(52) **U.S. Cl.** **D28/82**

(58) **Field of Classification Search** D28/76,
D28/77, 78, 81, 82; D9/503, 504, 529; 206/581,
206/823; 132/293-307

See application file for complete search history.

(56) **References Cited**

U.S. PATENT DOCUMENTS

D411,747 S * 6/1999 Kokenge et al. D9/503
D424,943 S * 5/2000 Kokenge et al. D9/504

D432,722 S * 10/2000 Wardlaw D28/76

* cited by examiner

Primary Examiner—Jennifer Rivard

(74) *Attorney, Agent, or Firm*—Collen IP; Donald J. Ranft

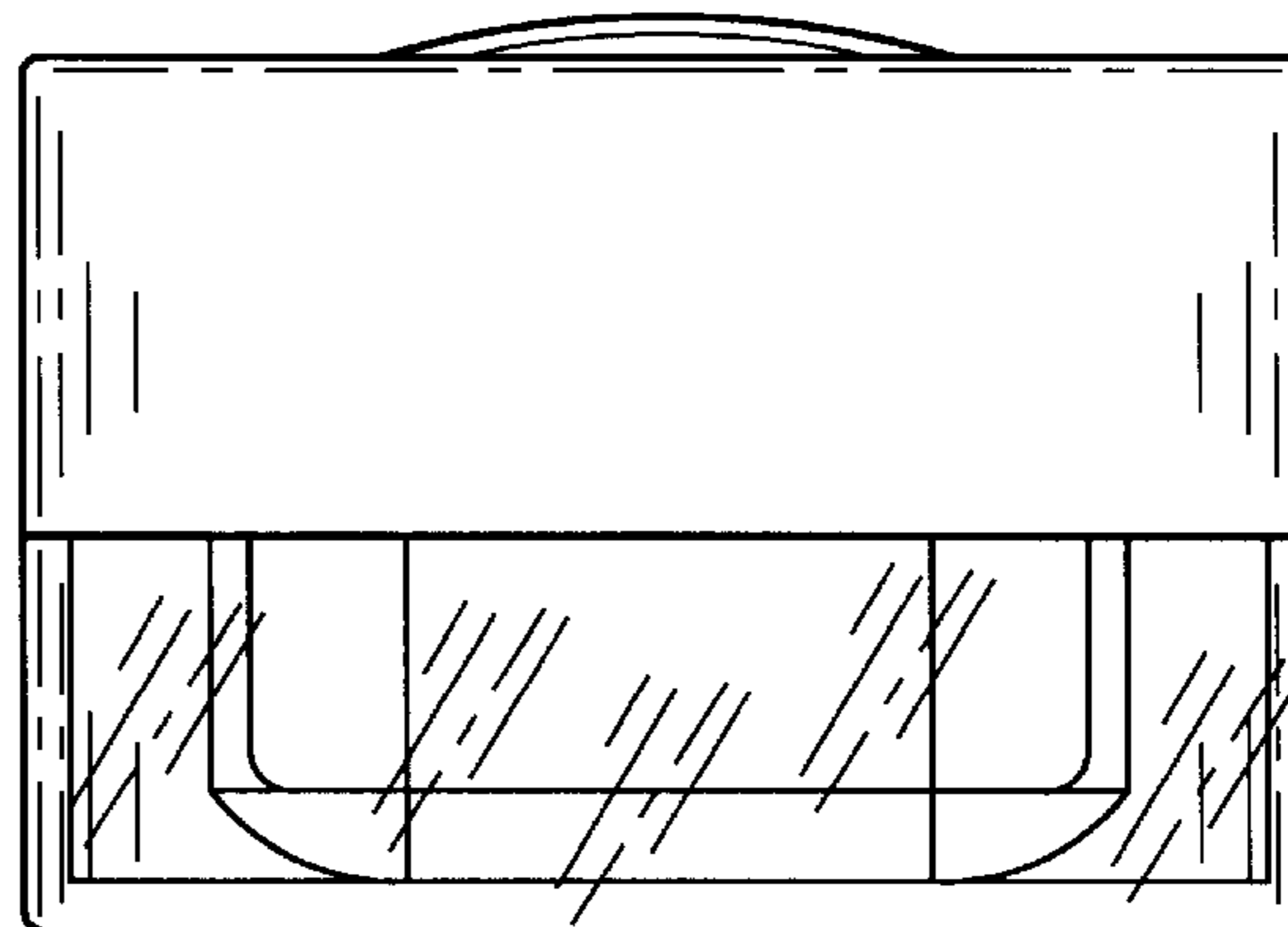
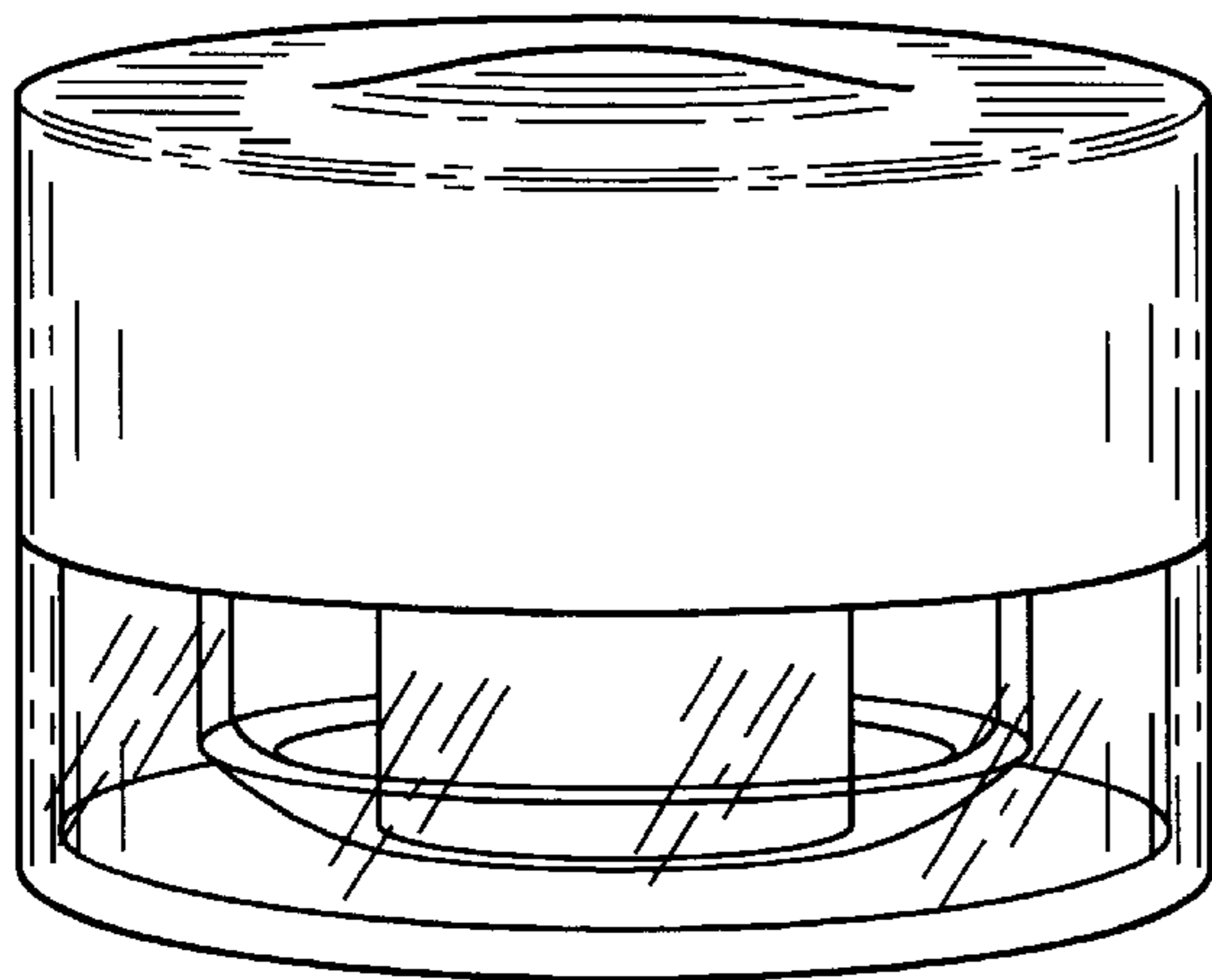
(57) **CLAIM**

The ornamental design for a cosmetic container, as shown and described.

DESCRIPTION

FIG. 1 is a perspective view of the first embodiment of my ornamental design for a cosmetic container;
FIG. 2 is a side view thereof;
FIG. 3 is a top view thereof;
FIG. 4 is a bottom view thereof;
FIG. 5 is a perspective view of the second embodiment of my ornamental design for a cosmetic container;
FIG. 6 is a side view thereof;
FIG. 7 is a top view thereof; and,
FIG. 8 is a bottom view thereof.

1 Claim, 4 Drawing Sheets



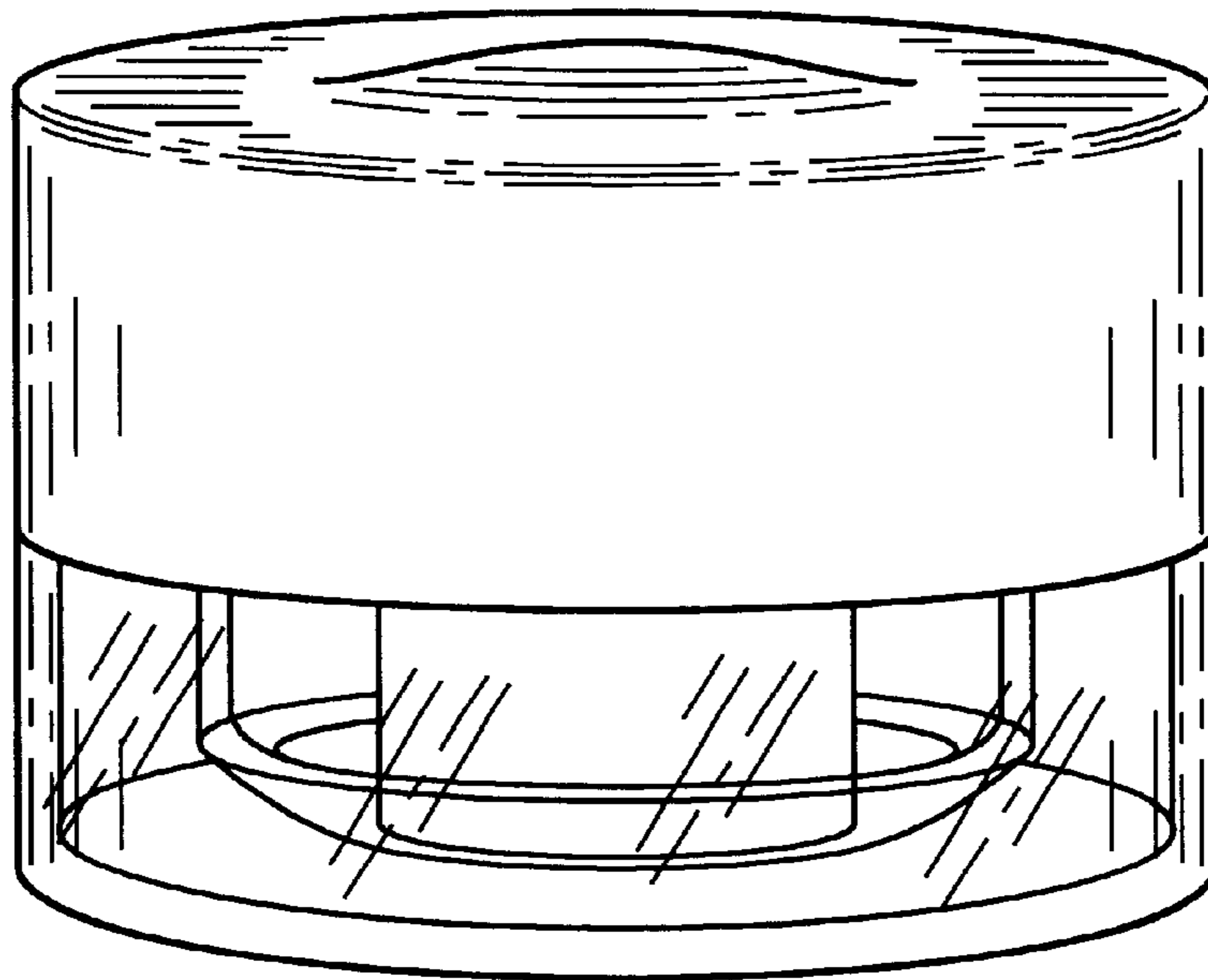


FIG. 1

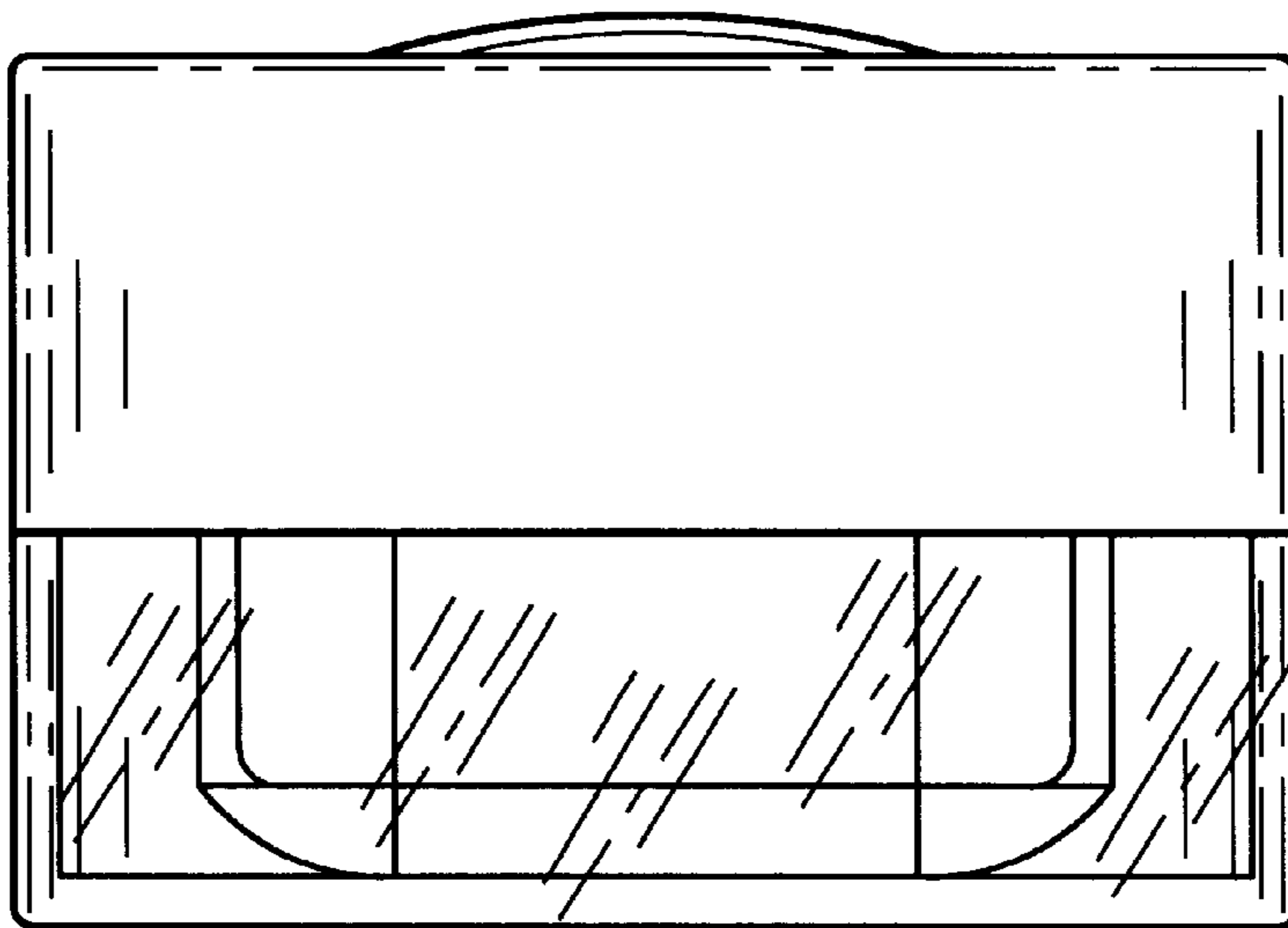


FIG. 2

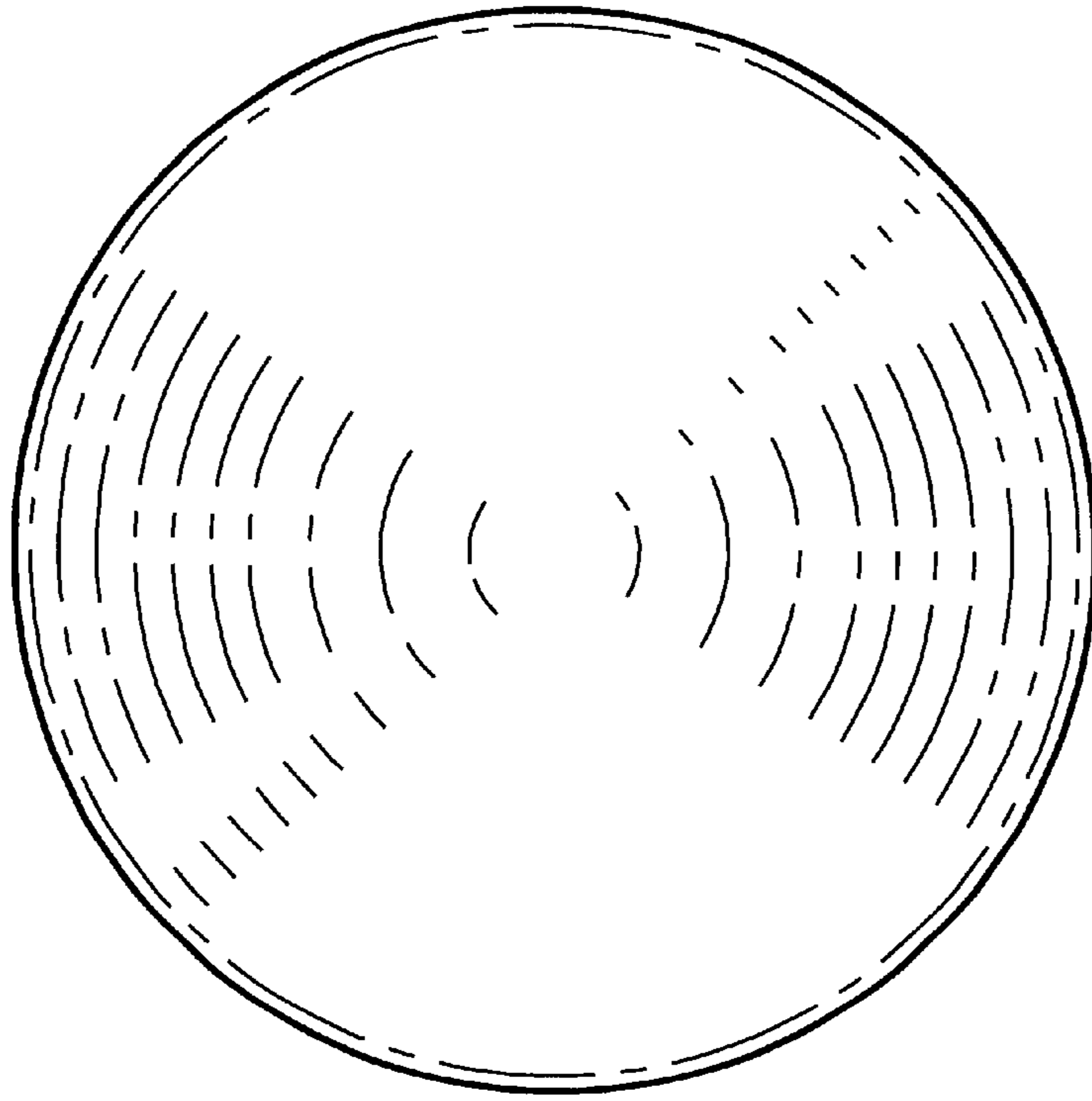


FIG. 3

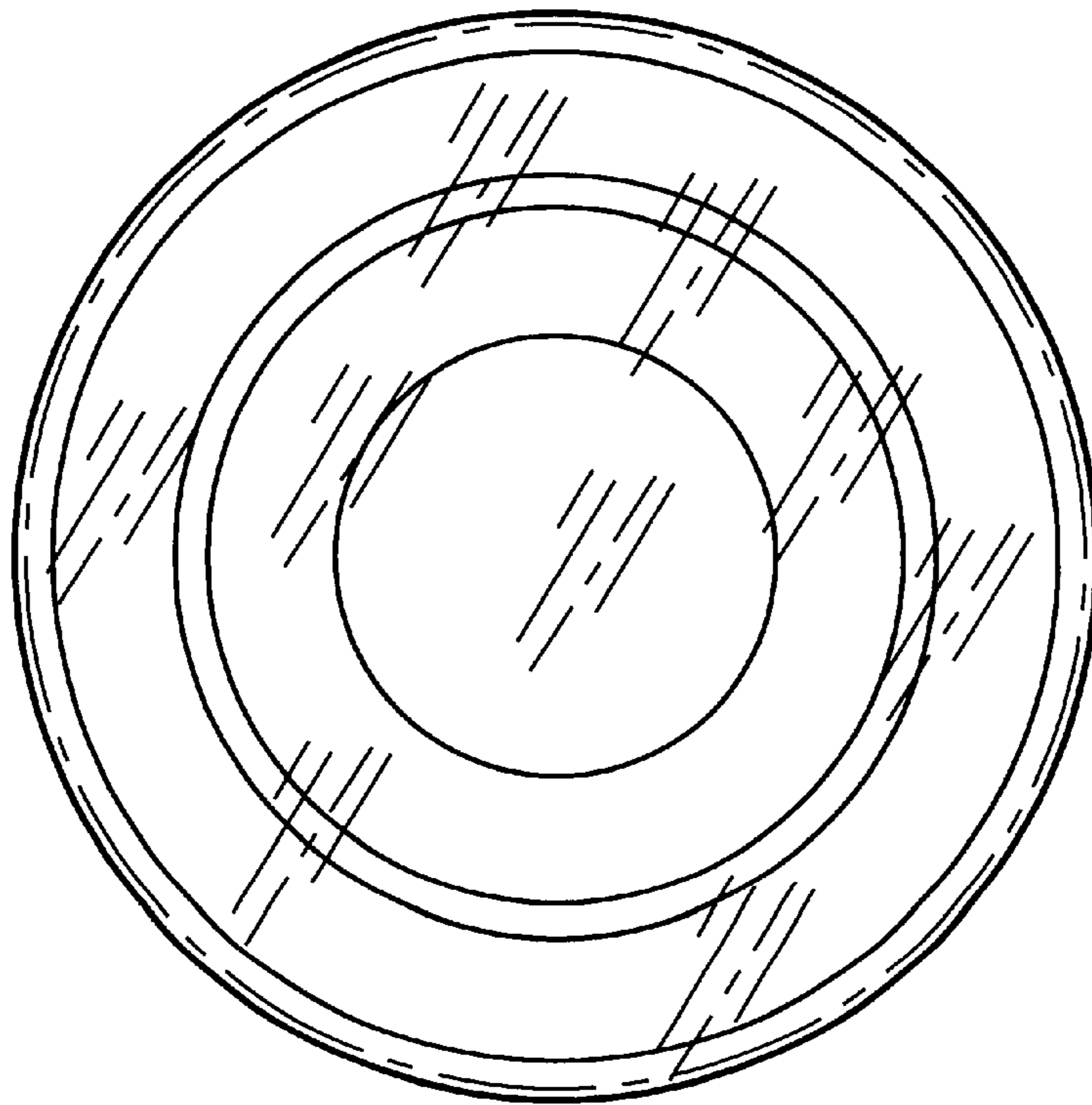


FIG. 4

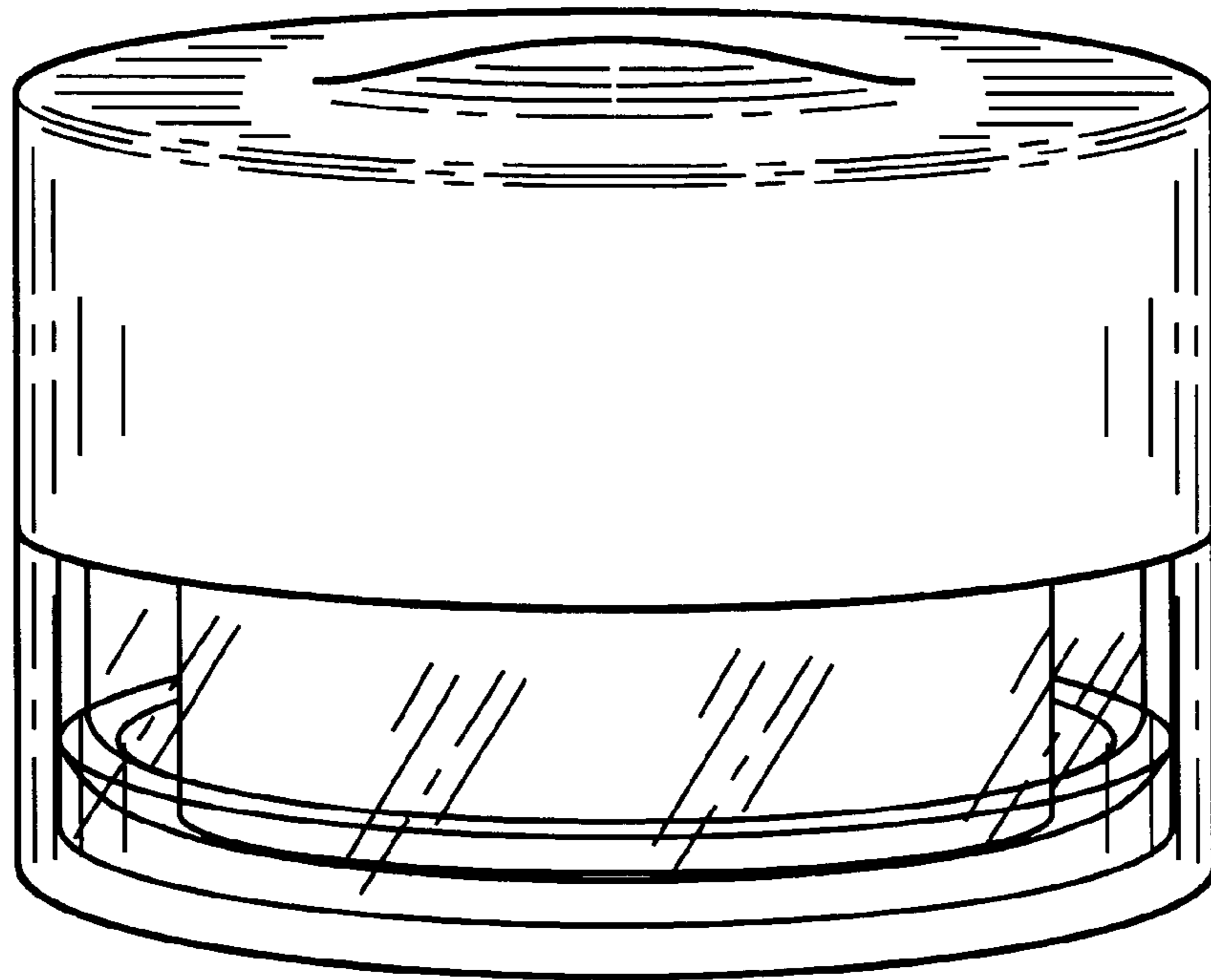


FIG. 5

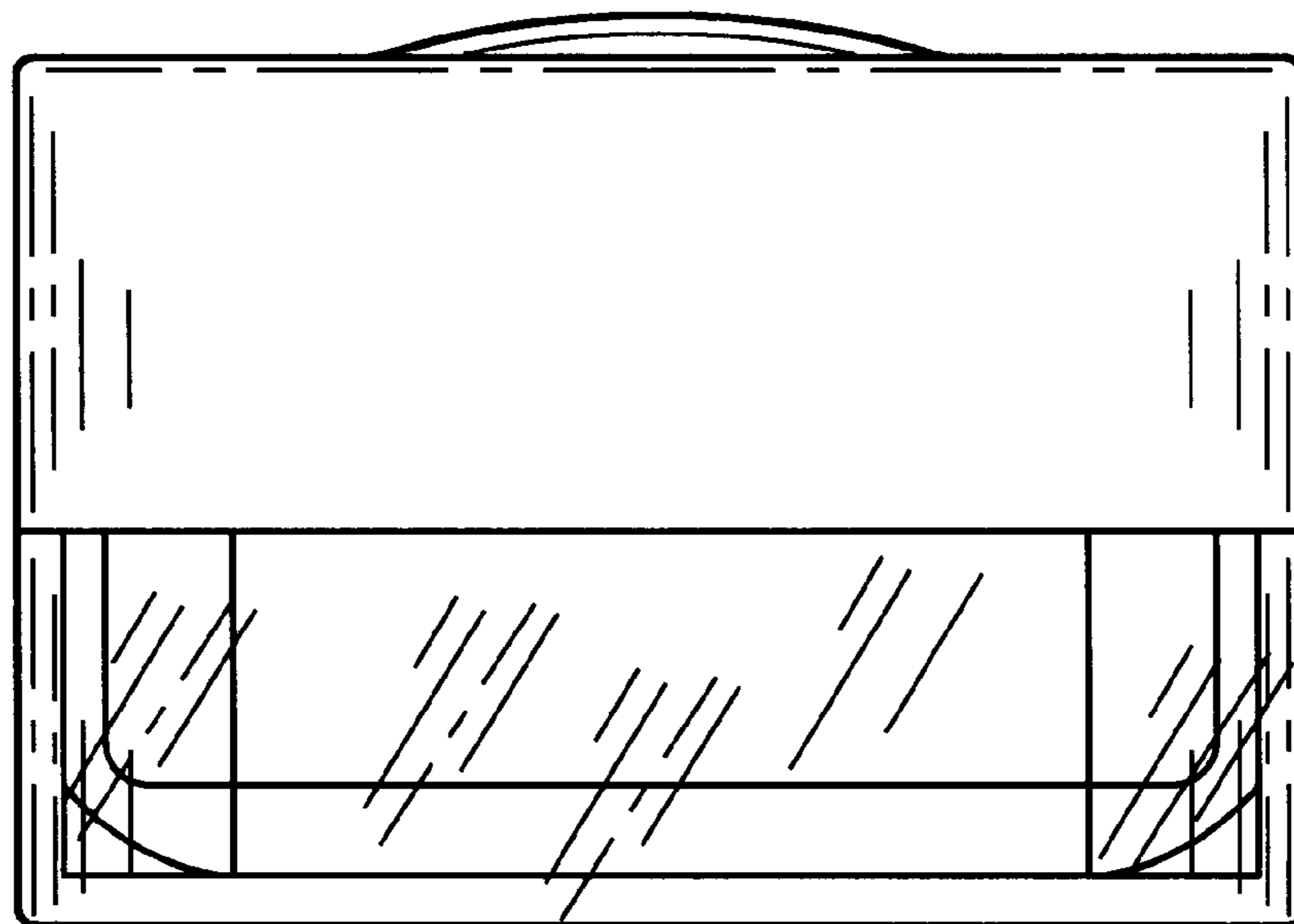


FIG. 6

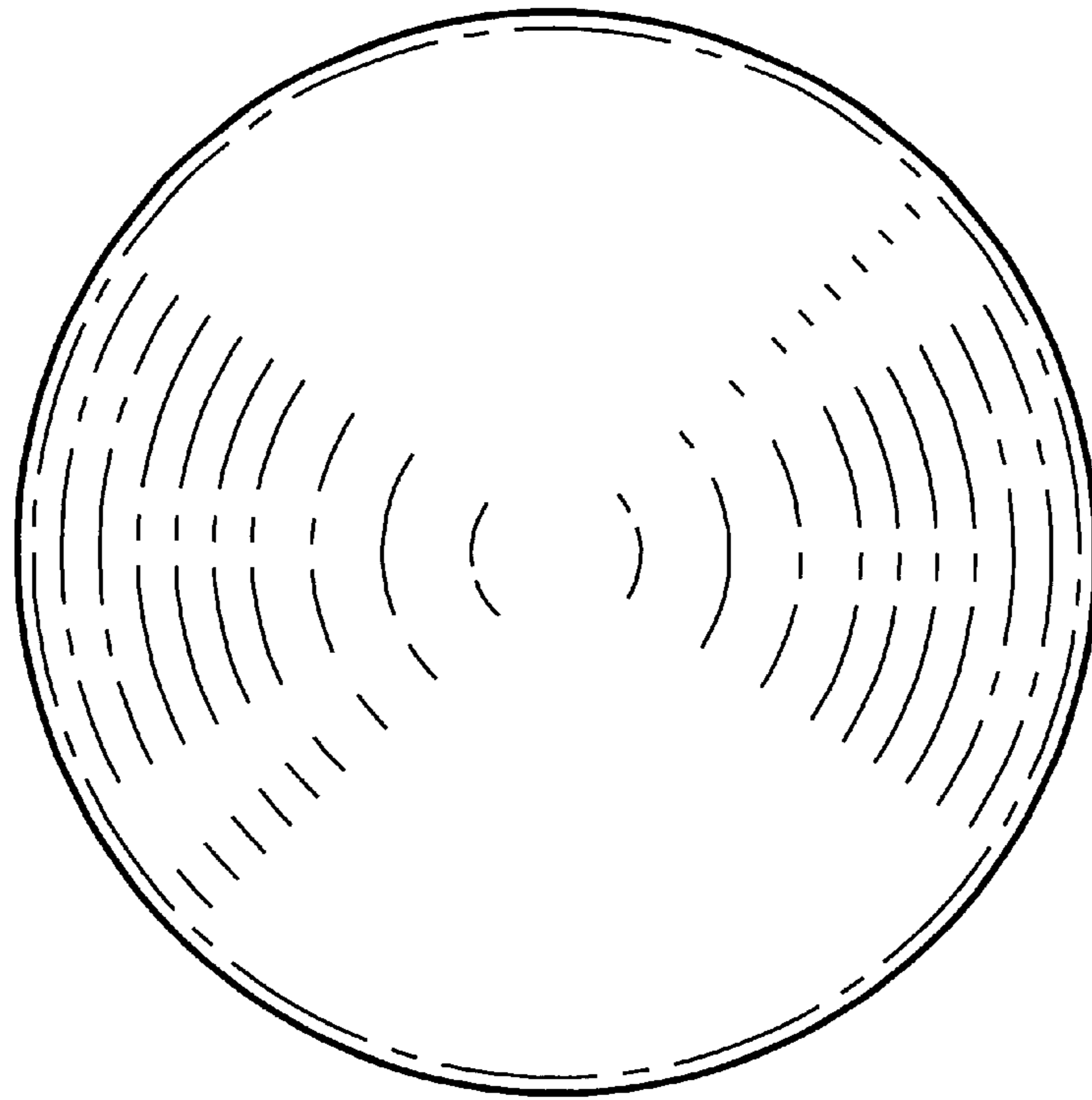


FIG. 7

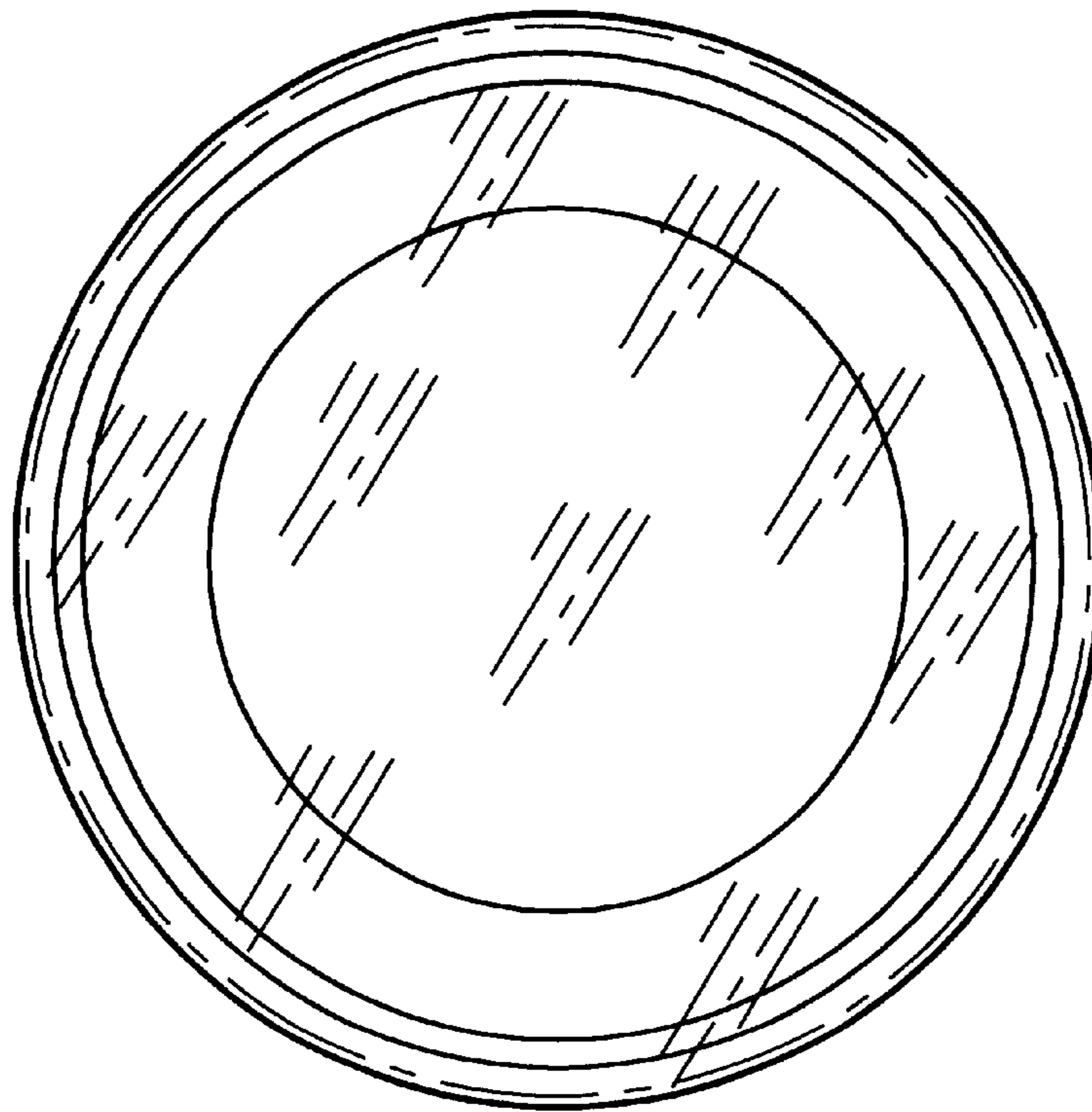


FIG. 8