



US00D522694S

(12) **United States Design Patent**
Shin

(10) **Patent No.:** **US D522,694 S**

(45) **Date of Patent:** **** Jun. 6, 2006**

(54) **ELECTRIC HAIR CLIPPER**

(75) Inventor: **Kil Seung Shin**, Gyeonggi-do (KR)

(73) Assignee: **Kil Seung Shin**, Gyeonggi-do (KR)

(**) Term: **14 Years**

(21) Appl. No.: **29/228,697**

(22) Filed: **Apr. 27, 2005**

(30) **Foreign Application Priority Data**

Oct. 27, 2004 (KR) 30-2004-0032940

(51) **LOC (8) Cl.** **28-03**

(52) **U.S. Cl.** **D28/53**

(58) **Field of Classification Search** 30/34.1,
30/34.2, 34.05, 43, 43.1–43.9, 43.92, 195,
30/201, 210, 233, 233.5; D28/44, 44.1, 49–54
See application file for complete search history.

(56) **References Cited**

U.S. PATENT DOCUMENTS

4,845,852 A * 7/1989 Sukow 30/201
D320,673 S * 10/1991 Sterk D28/52
5,367,772 A * 11/1994 Ogawa 30/201
D363,809 S * 10/1995 Bone D28/53

D403,468 S * 12/1998 Smith D28/53
D464,466 S * 10/2002 Rizzuto et al. D28/53
D486,606 S * 2/2004 Goetschi D28/53

* cited by examiner

Primary Examiner—Jennifer Rivard

(74) *Attorney, Agent, or Firm*—Osha Liang LLP

(57) **CLAIM**

The ornamental design for an electric hair clipper, as shown and described.

DESCRIPTION

FIG. 1 is a front view of the design according to the invention.

FIG. 2 is a rear view of the design according to the invention.

FIG. 3 is a left side view of the design according to the invention.

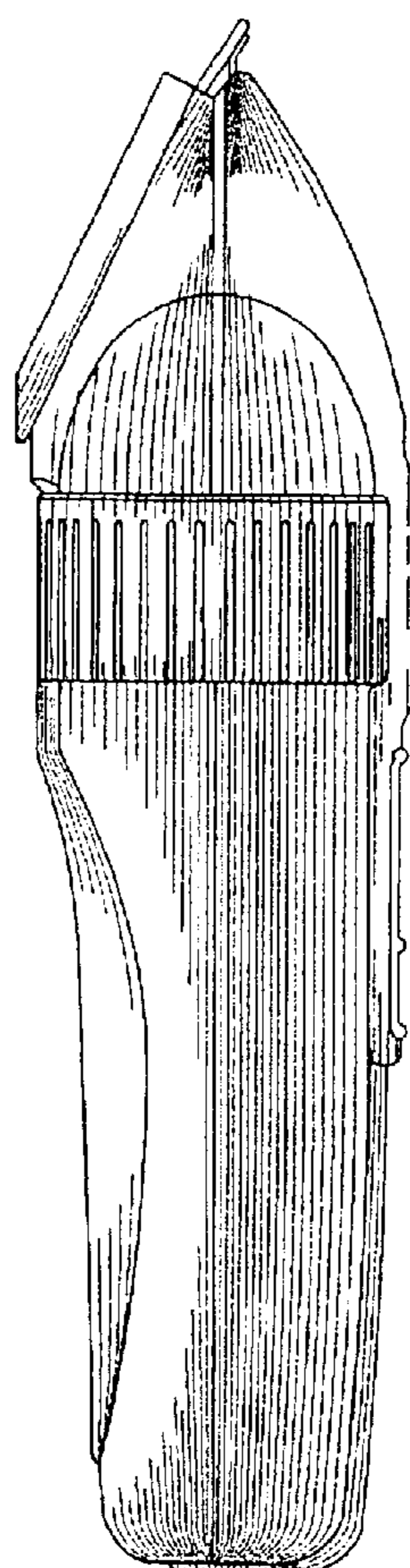
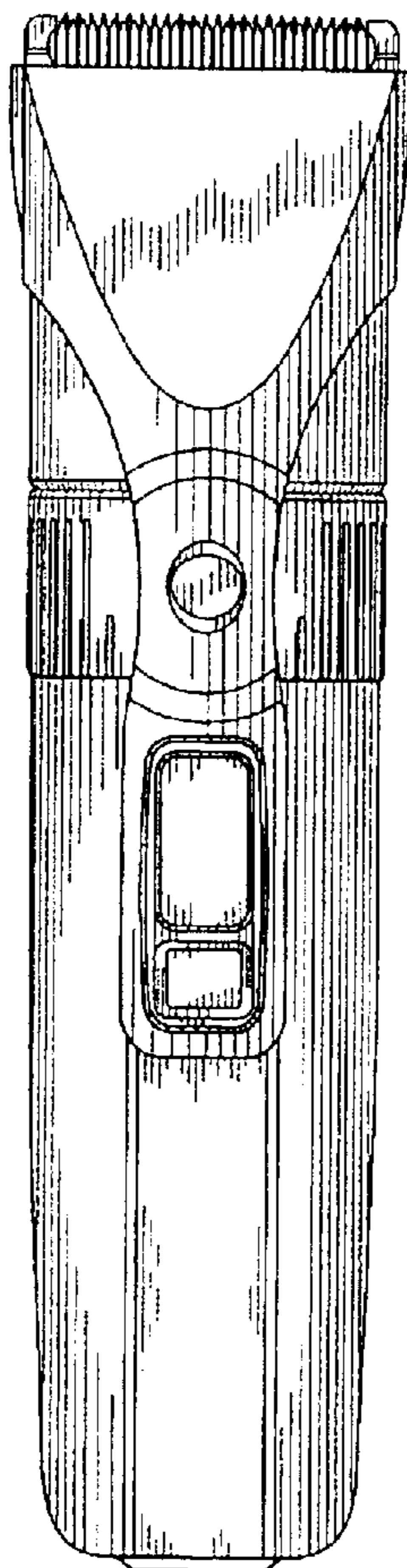
FIG. 4 is a right side view of the design according to the invention.

FIG. 5 is a top view of the design according to the invention.

FIG. 6 is a bottom view of the design according to the invention; and,

FIG. 7 is a perspective view of the design according to the invention.

1 Claim, 3 Drawing Sheets



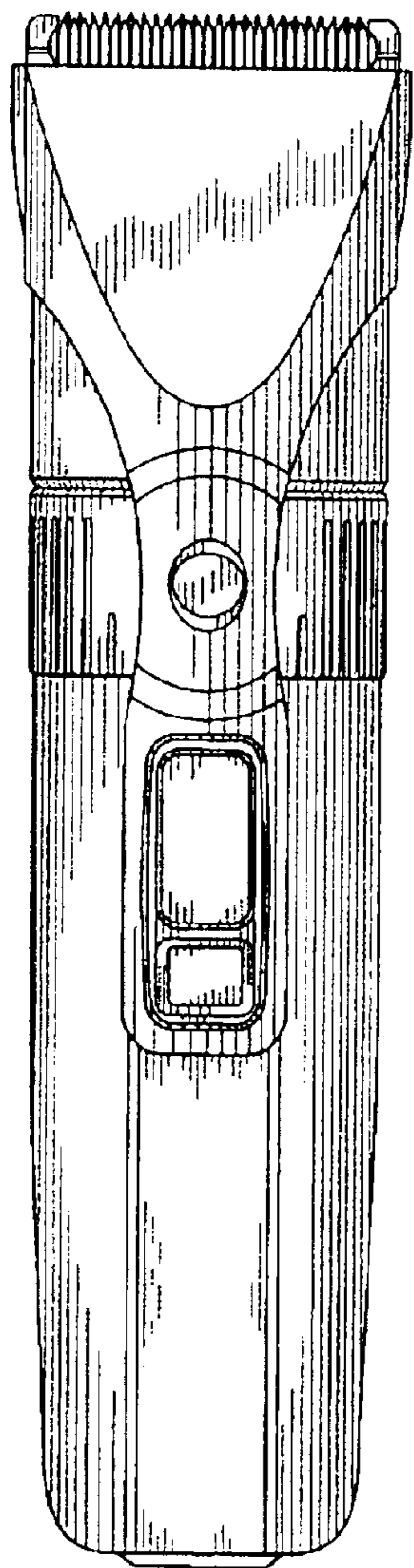


FIG. 1

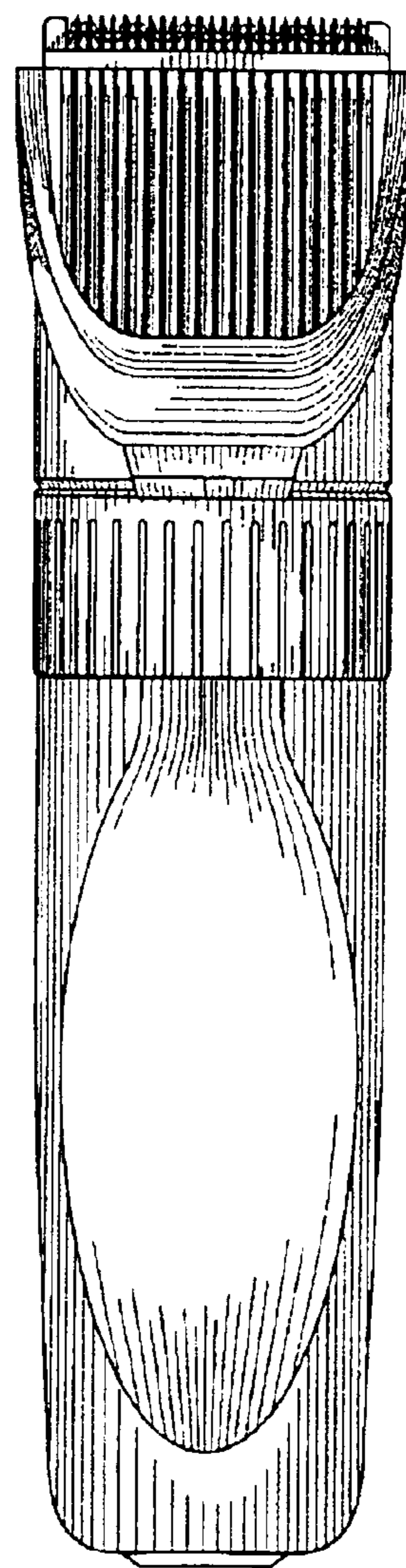


FIG. 2

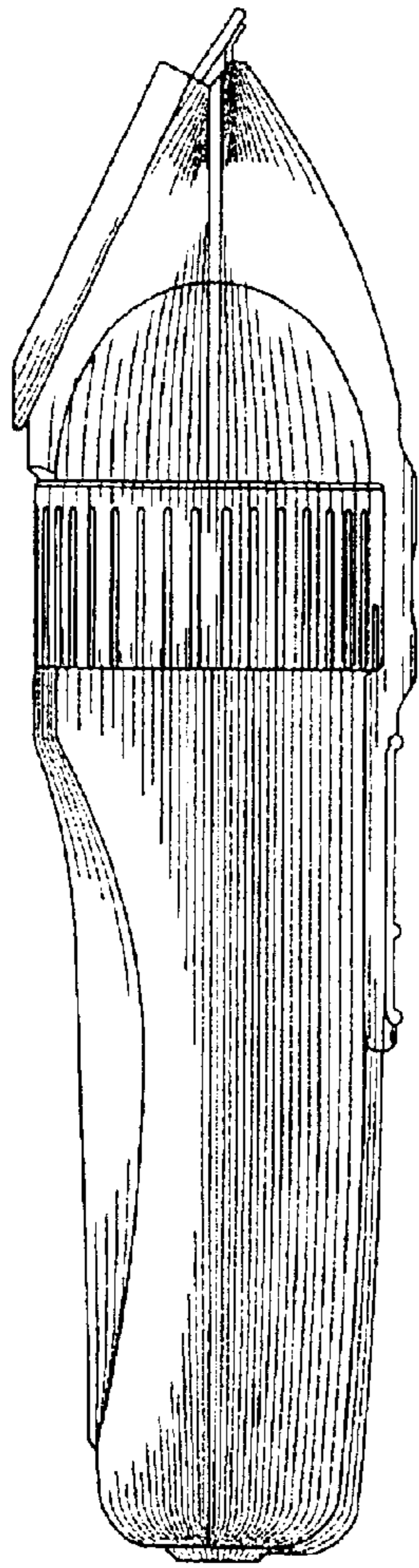


FIG. 3

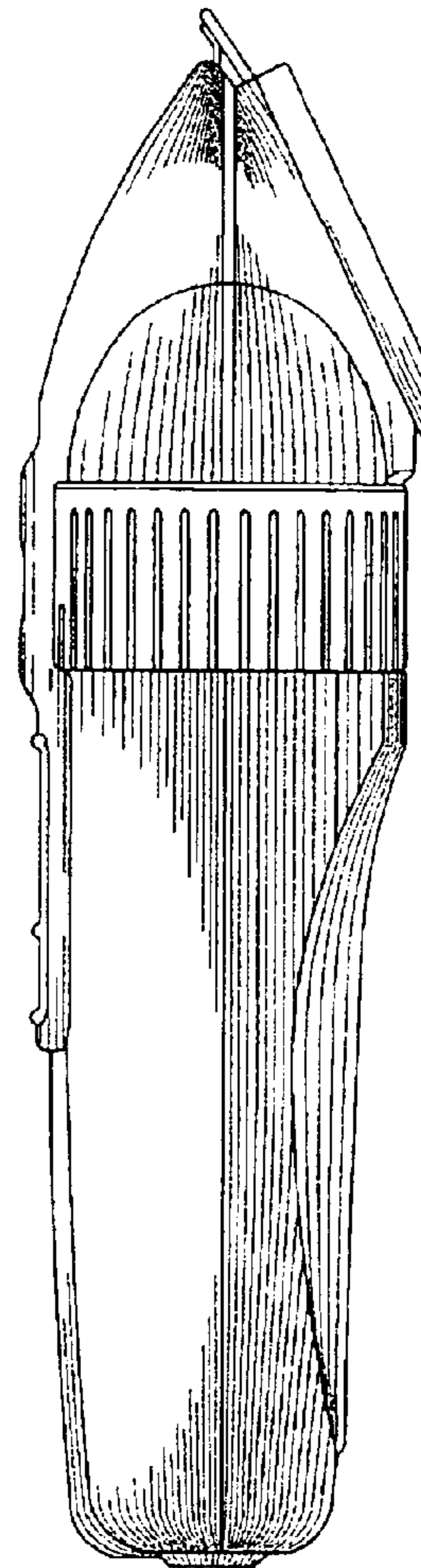


FIG. 4

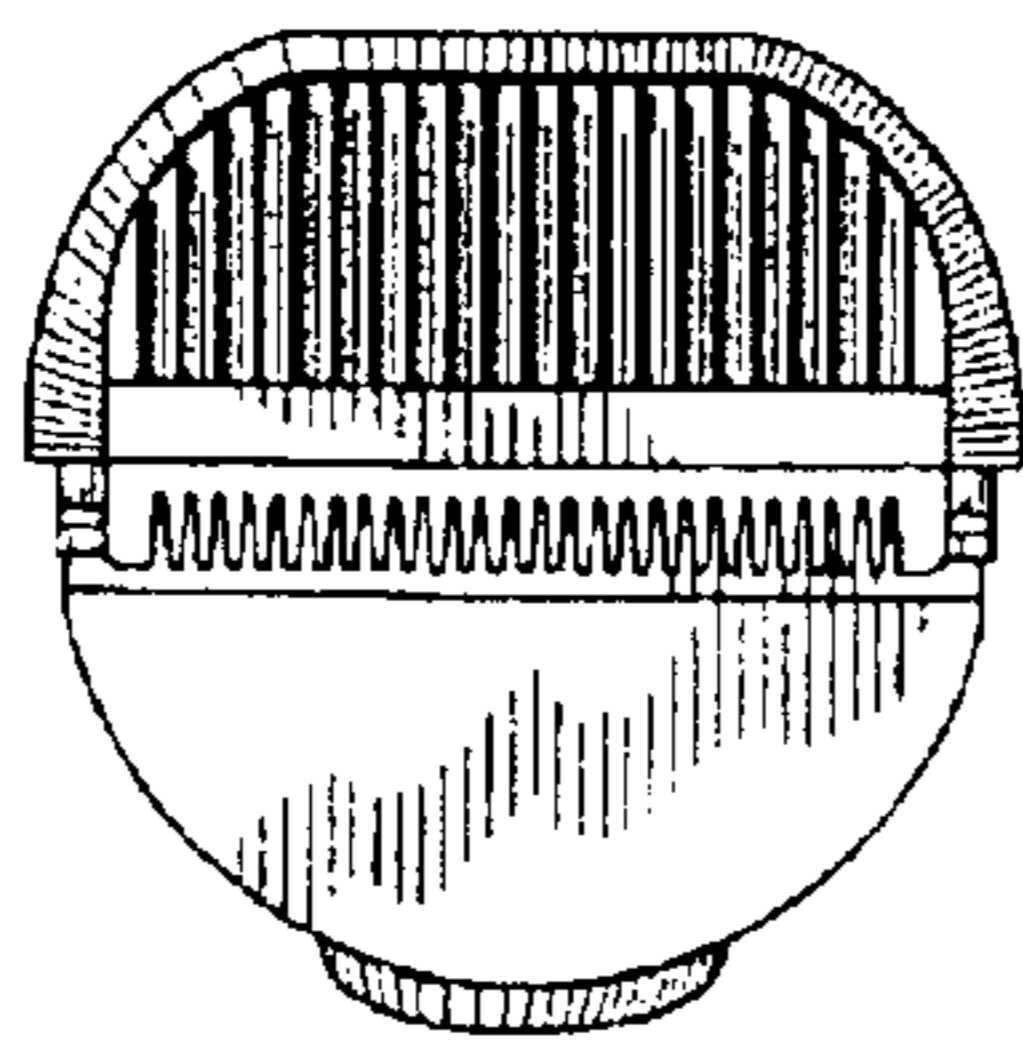


FIG. 5

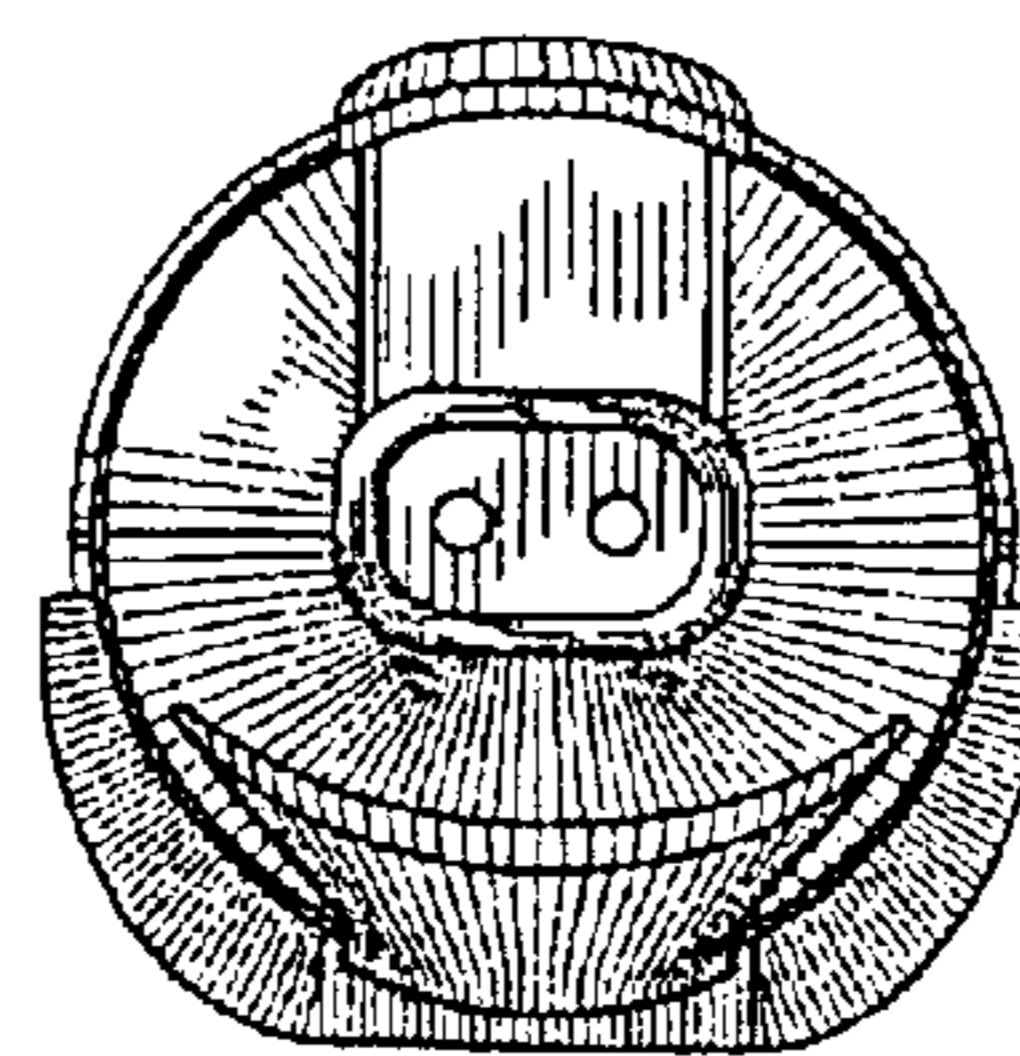


FIG. 6

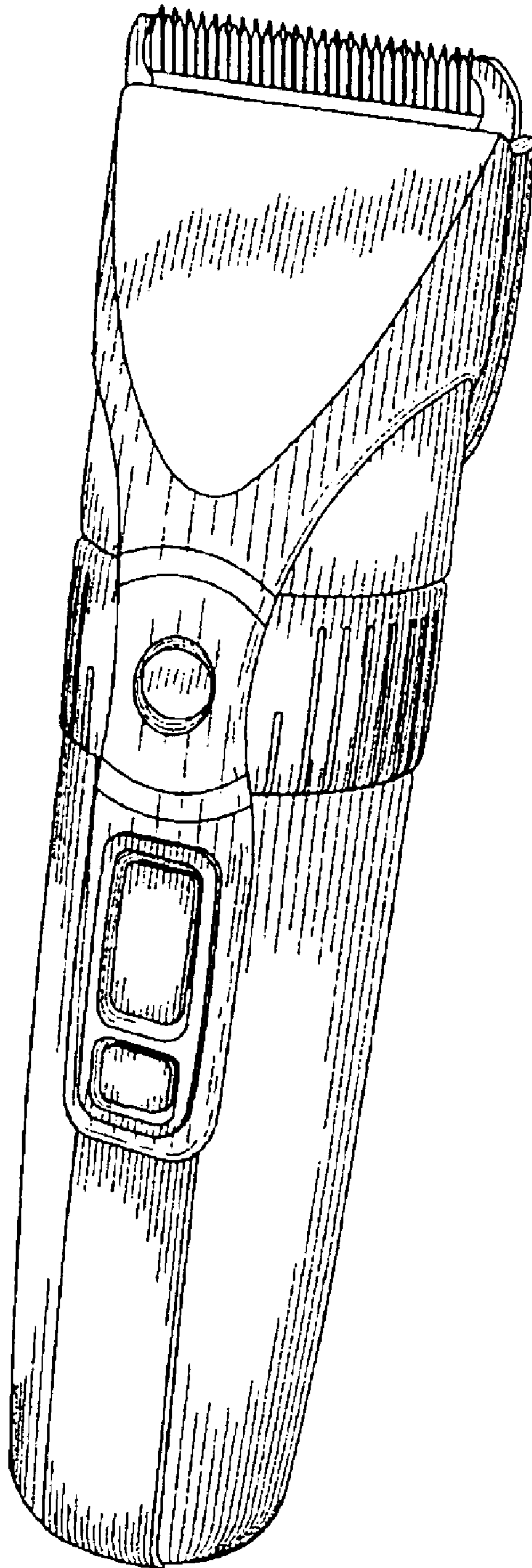


FIG. 7