



US00D522688S

(12) **United States Design Patent**
Goldberg

(10) **Patent No.:** **US D522,688 S**

(45) **Date of Patent:** **** Jun. 6, 2006**

(54) **TRASH CONTAINER FOR DISPOSAL OF CIGARETTE WASTE**

3,724,745 A * 4/1973 Brown 232/43.2
D248,329 S * 6/1978 Gensini D27/123
4,169,481 A * 10/1979 Hultberg 131/237

(75) Inventor: **Mark Goldberg**, Lido Beach, NY (US)

* cited by examiner

(73) Assignee: **Systemax, Inc.**, Port Washington, NY (US)

Primary Examiner—Jennifer Rivard

(74) *Attorney, Agent, or Firm*—Gibbons, Del Deo, Dolan, Griffinger & Vecchione

(**) Term: **14 Years**

(57) **CLAIM**

(21) Appl. No.: **29/204,334**

The ornamental design for trash container for disposal of cigarette waste, as shown and described.

(22) Filed: **Apr. 28, 2004**

(51) **LOC (8) Cl.** **27-03**

(52) **U.S. Cl.** **D27/123**

(58) **Field of Classification Search** D27/122–124;
131/231, 235.1, 236, 241, 242, 242.5, 242.6,
131/238; 220/576; 232/43.2, 43.5
See application file for complete search history.

DESCRIPTION

FIG. 1 is a front perspective view of a trash container, according to an embodiment of the invention.

FIG. 2 is a top view of the trash container shown in FIG. 1.

FIG. 3 is front view of the trash container shown in FIG. 1.

FIG. 4 is a left side view of the trash container shown in FIG. 1, which is identical to a right side view of the trash container shown in FIG. 1; and,

FIG. 5 is a bottom view of the trash container shown in FIG. 1.

1.
The broken lines are shown for illustrative purposes only and form no part of the claimed design.

(56) **References Cited**

U.S. PATENT DOCUMENTS

1,013,775 A * 1/1912 Hoffman 232/43.1
D143,742 S * 2/1946 Mankki D27/124
2,481,378 A * 9/1949 Wolfset 131/236
2,842,280 A * 7/1958 Nelson 220/576
3,129,710 A * 4/1964 Wickliff 131/235.1

1 Claim, 2 Drawing Sheets

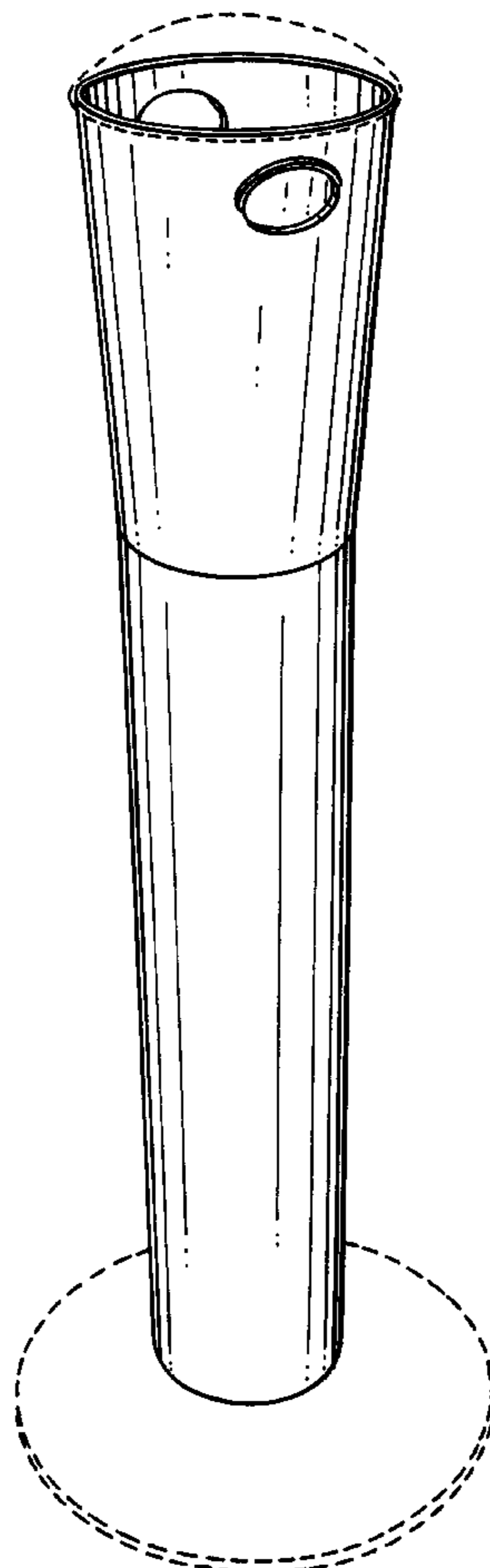


FIG. 1

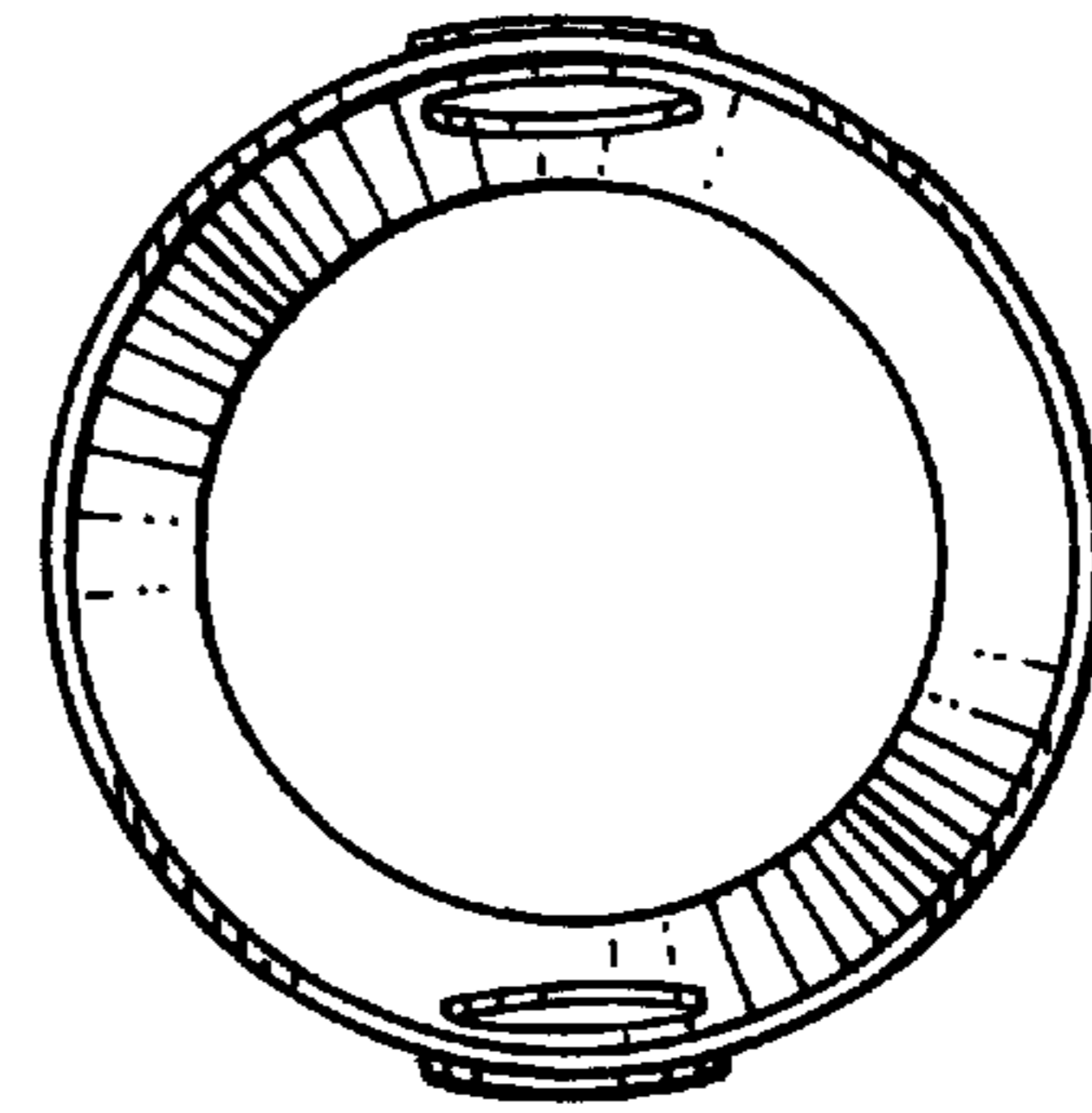
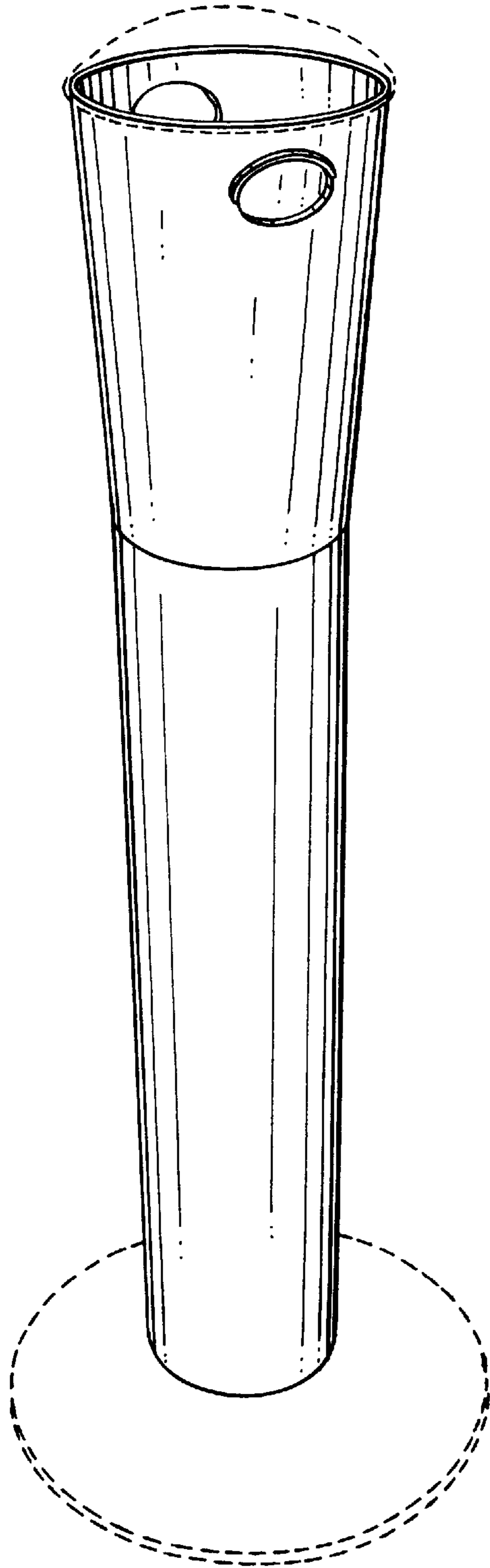


FIG. 2

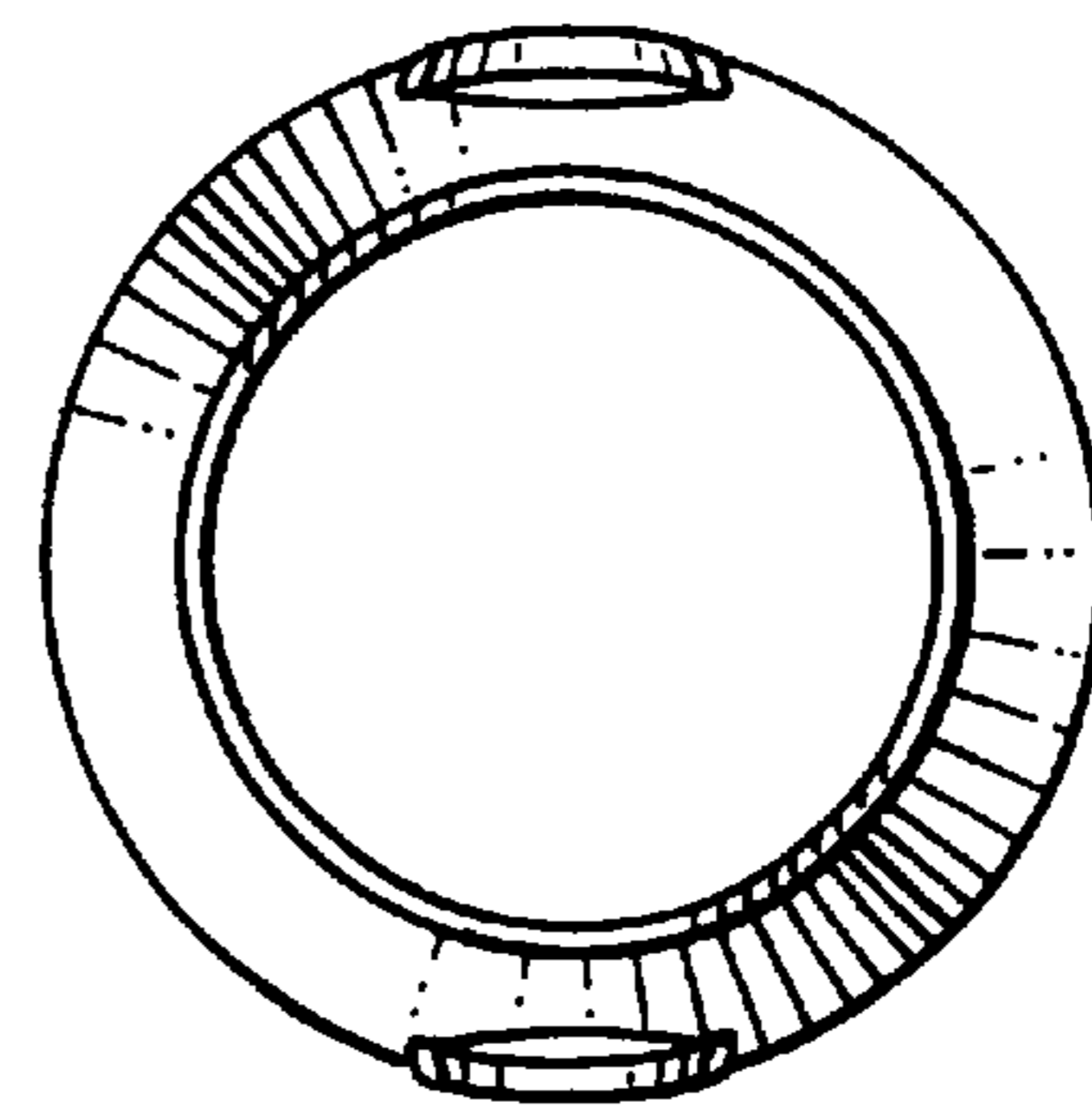


FIG. 5

FIG. 3

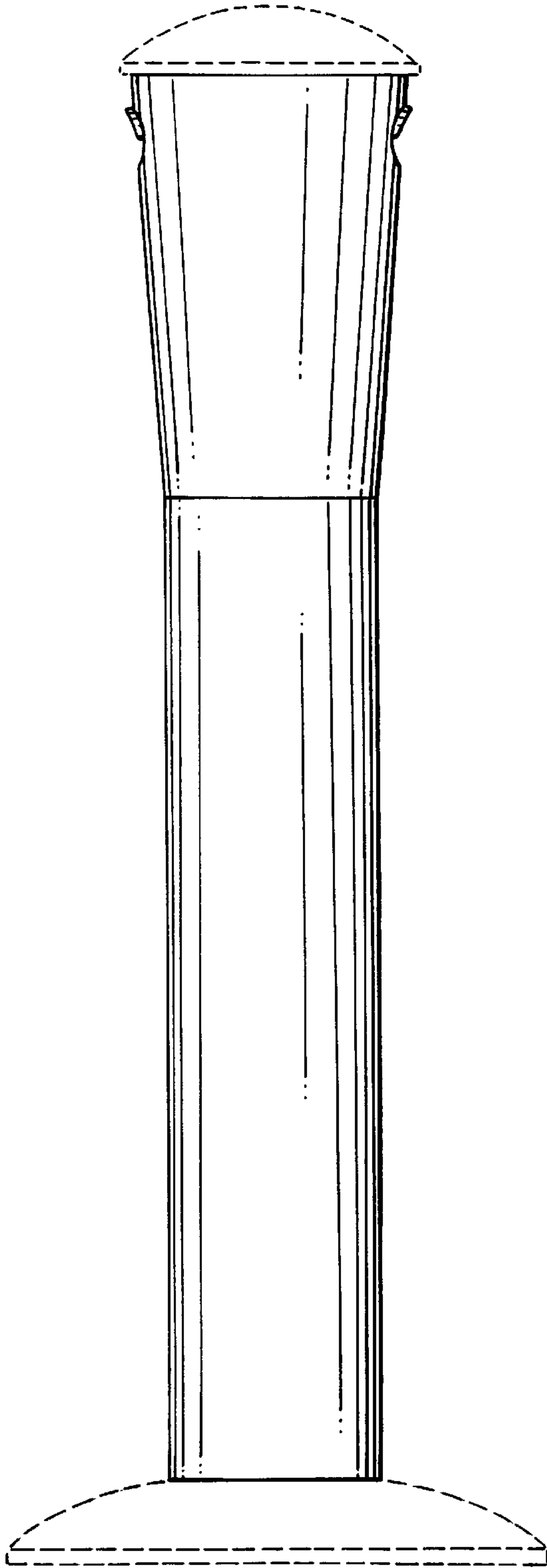


FIG. 4

