

US00D522687S

(12) **United States Design Patent**  
**Bayer**

(10) **Patent No.:** **US D522,687 S**

(45) **Date of Patent:** **\*\* Jun. 6, 2006**

(54) **TRIM FOR LIGHT FIXTURE**

(75) Inventor: **Georg Bayer**, Plattsburgh, NY (US)

(73) Assignee: **Schonbek Worldwide Lighting, Inc.**,  
Plattsburgh, NY (US)

(\*\*) Term: **14 Years**

(21) Appl. No.: **29/221,163**

(22) Filed: **Jan. 12, 2005**

(51) **LOC (8) Cl.** ..... **26-99**

(52) **U.S. Cl.** ..... **D26/154**

(58) **Field of Classification Search** ..... D26/154,  
D26/138, 113, 81, 84, 88, 61-65, 72; D11/90;  
362/404-406, 457, 806; 63/26-28, 32  
See application file for complete search history.

(56) **References Cited**

U.S. PATENT DOCUMENTS

D55,512 S	*	6/1920	Heller	.....	D11/90
D56,949 S	*	1/1921	Tatler	.....	D11/90
1,560,414 A	*	11/1925	De Haan	.....	63/32
3,619,599 A	*	11/1971	Hermanson	.....	362/250
3,943,353 A	*	3/1976	Tada	.....	362/404

(Continued)

OTHER PUBLICATIONS

Basket Sconce with Crystal Accents. Item #92659 from Lamps Plus. Found online at lampsplus.com on Aug. 11, 2005.\*

“Star Dust” by Tokujin Yoshioka from the Swarovski Crystal Palace Collection. Posted at mocoloco.com on May 9, 2005.\*

James R. Modor, Strass Crystal Mini Pendant Chandelier. Item #55672 from Lamps Plus. Found online at lampsplus.com on Aug. 11, 2005.\*

James R. Moder, Sapphire Mini Pendant Chandelier. Item #55666 from Lamps Plus. Found online at lampsplus.com on Aug. 11, 2005.\*

Swarovski Components (c) 2001, Crystal in a New Light (Classic Section) TRIO, p. 14.

(Continued)

Primary Examiner—Clare E Heflin

(74) Attorney, Agent, or Firm—Heslin Rothenberg Farley & Mesiti P.C.

(57) **CLAIM**

The ornamental design for a trim for light fixture, as shown and described.

**DESCRIPTION**

This application is related to commonly assigned Application No. 10/757,628, filed Jan. 14, 2004, now pending, and to commonly assigned, concurrently filed Application No. 29/221,167, Application No. 29/221,162 and Application No. 29/221,195, the full disclosures of which are incorporated herein by reference for context purposes.

FIG. 1 is an isometric view of a first embodiment of the trim of the present design;

FIG. 2 is a front elevation view thereof;

FIG. 3 is a left side elevation view thereof;

FIG. 4 is a right side elevation view thereof;

FIG. 5 is a top plan view thereof;

FIG. 6 is a bottom plan view thereof;

FIG. 7 is a back elevation view thereof;

FIG. 8 is an isometric view of a second embodiment;

FIG. 9 is a front elevation view thereof;

FIG. 10 is a left side elevation view thereof;

FIG. 11 is a right side elevation view thereof;

FIG. 12 is a top plan view thereof;

FIG. 13 is a bottom plan view thereof;

FIG. 14 is a back elevation view thereof;

FIG. 15 is an isometric view of a third embodiment;

FIG. 16 is a front elevation view thereof;

FIG. 17 is a left side elevation view thereof;

FIG. 18 is a right side elevation view thereof;

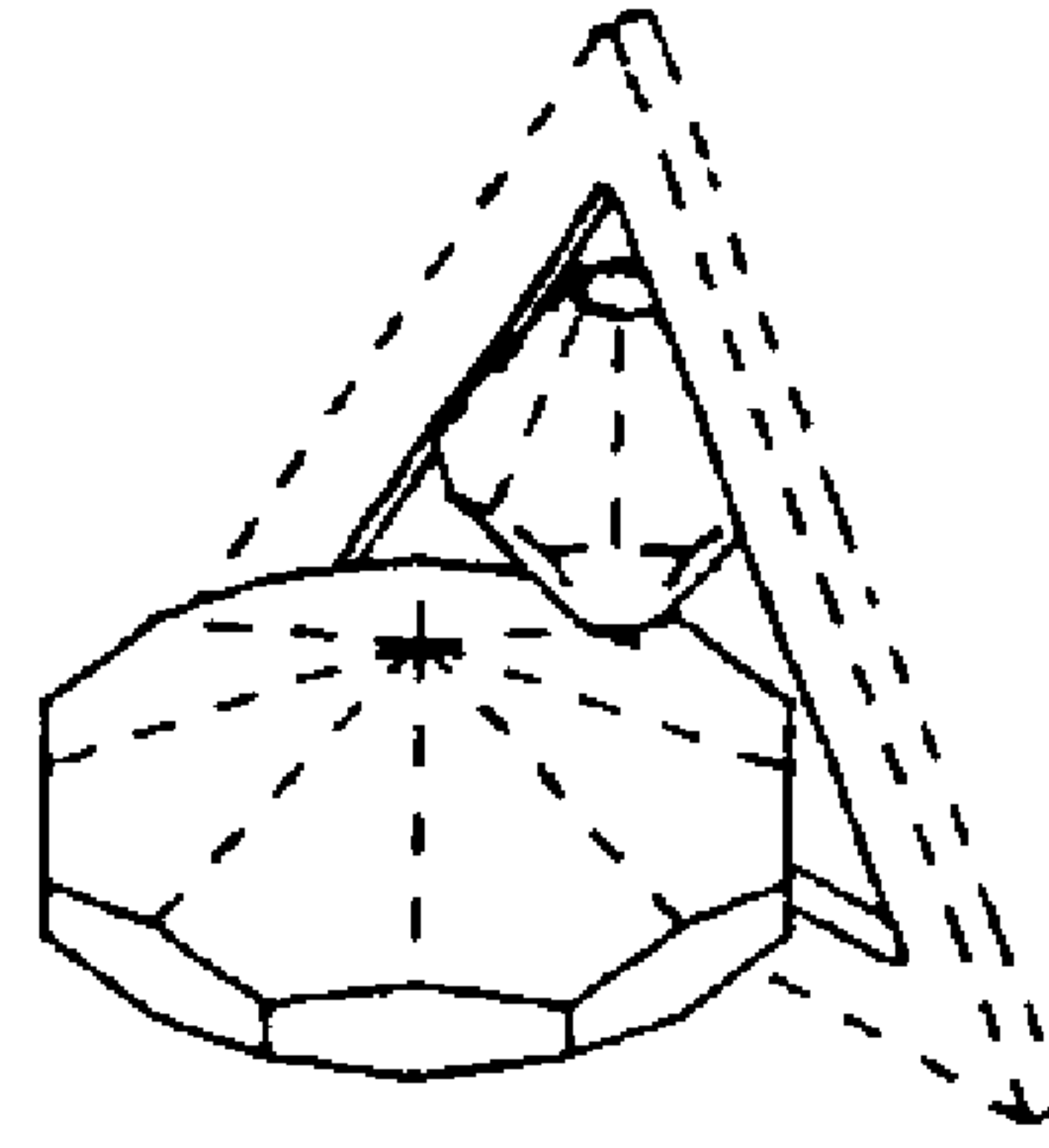
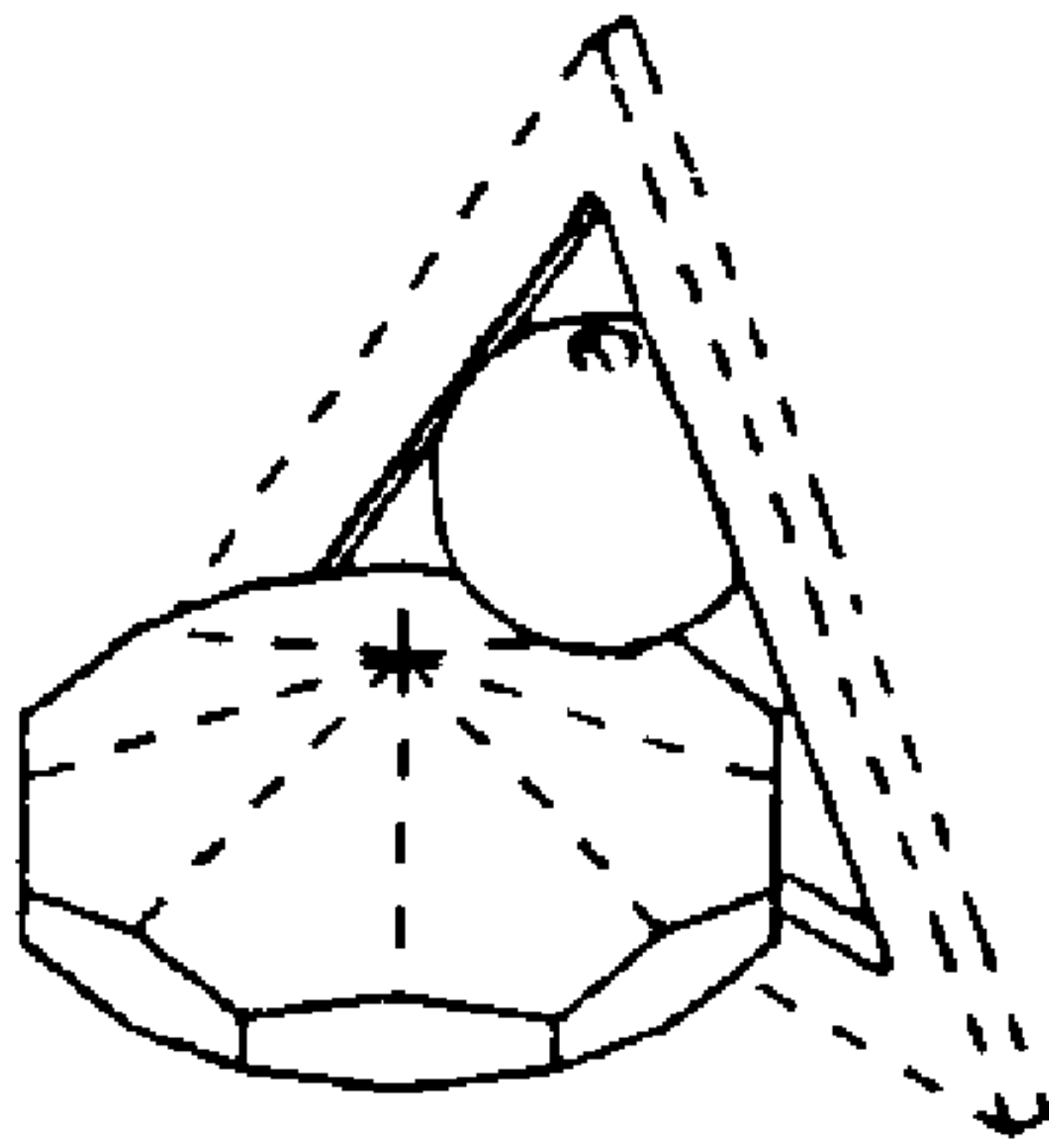
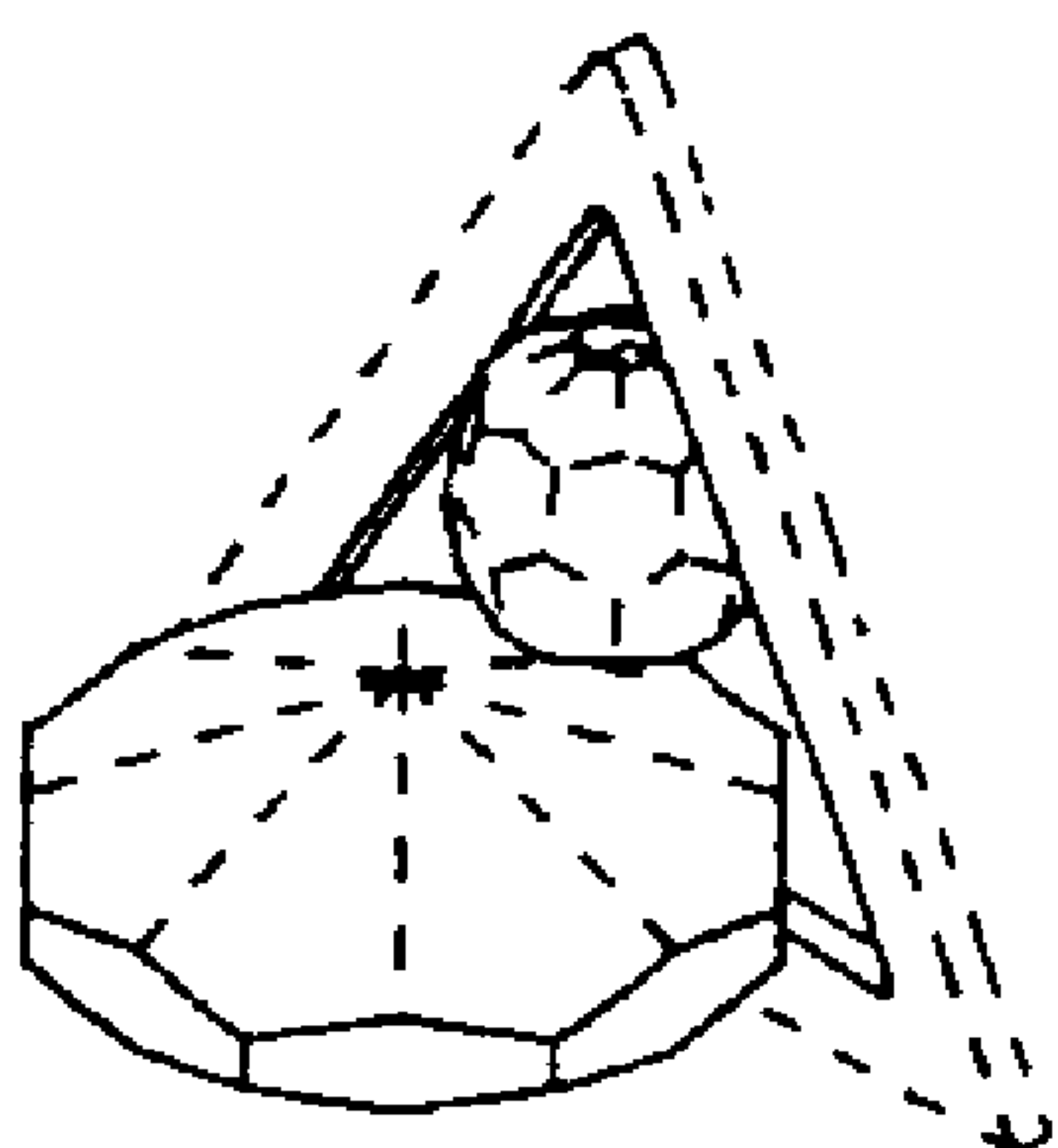
FIG. 19 is a top plan view thereof;

FIG. 20 is a bottom plan view thereof; and,

FIG. 21 is a back elevation view thereof.

The broken line showing is for illustrative purposes only and forms no part of the claimed invention.

**1 Claim, 3 Drawing Sheets**



U.S. PATENT DOCUMENTS

5,109,325 A \* 4/1992 Bayer et al. .... 362/433  
5,116,009 A \* 5/1992 Bayer ..... 248/303  
5,144,541 A \* 9/1992 Schonbek ..... 362/405  
5,222,805 A \* 6/1993 Schonbek et al. .... 362/405  
5,241,460 A \* 8/1993 Schonbek ..... 362/405  
5,285,364 A \* 2/1994 Bayer ..... 362/405  
5,567,046 A \* 10/1996 Lucas ..... 362/405  
D397,494 S \* 8/1998 Bayer et al. .... D26/154  
D400,283 S \* 10/1998 Lawrence ..... D26/86  
5,906,430 A \* 5/1999 Bayer ..... 362/404  
5,921,668 A \* 7/1999 Bayer ..... 362/404  
6,921,186 B1 \* 7/2005 Viskovich ..... 362/404  
2005/0172668 A1 \* 8/2005 Bayer et al. .... 63/28

OTHER PUBLICATIONS

WAC Lighting Catalog (c) 2004, Low Voltage Wall Sconce Selector, Series 52 G512-AM-G512-YW, p. 98.  
WAC Lighting Catalog (c) 2004, Wall Sconces, p. 94.  
WAC Lighting Catalog (c) 2004, Quick Connect Pendants, G512-RD, p. 63.  
WAC Lighting Catalog (c) 2004, Quick Connect Pendants, G915-CF, p. 57.  
LBL Lighting>Pendant>Fixtures, [www.lblighting.com](http://www.lblighting.com), Nube Suspension 214, one page.

\* cited by examiner

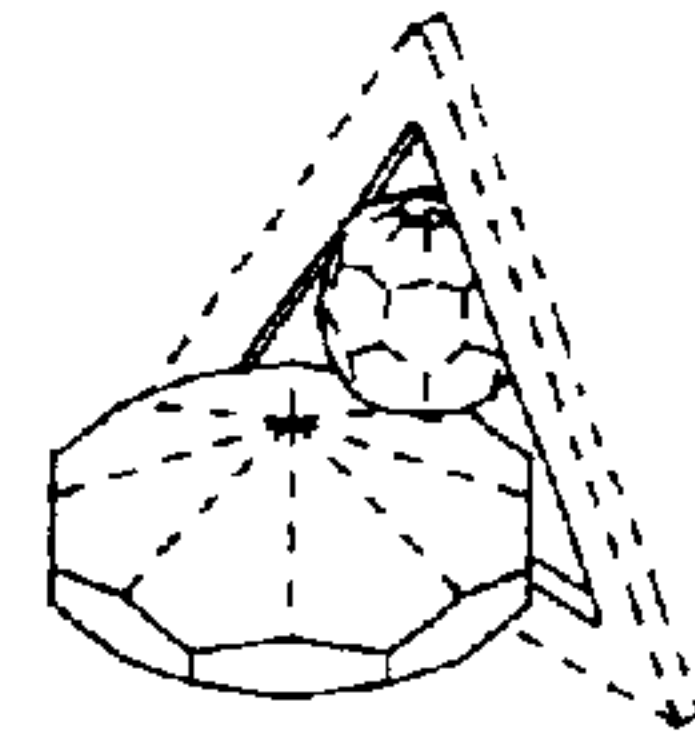


FIG. 1

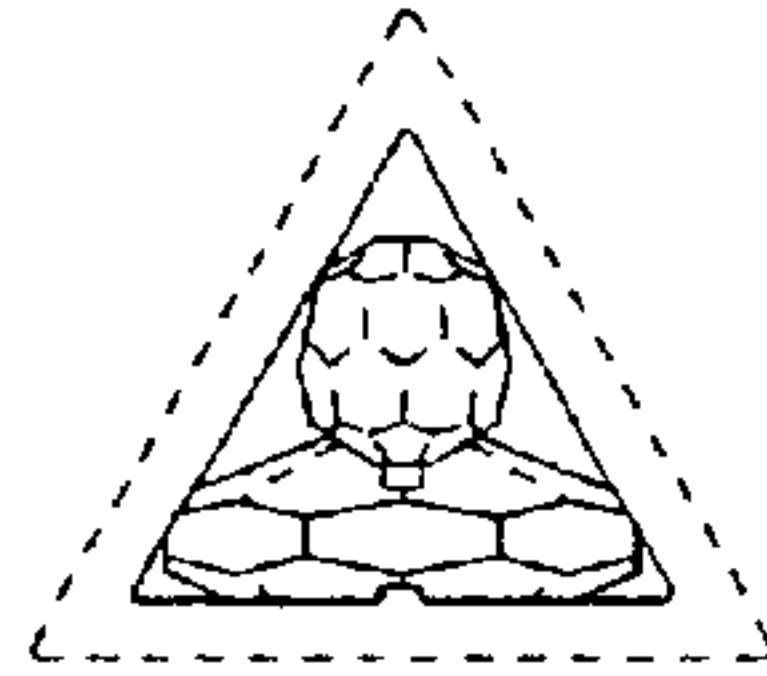


FIG. 7

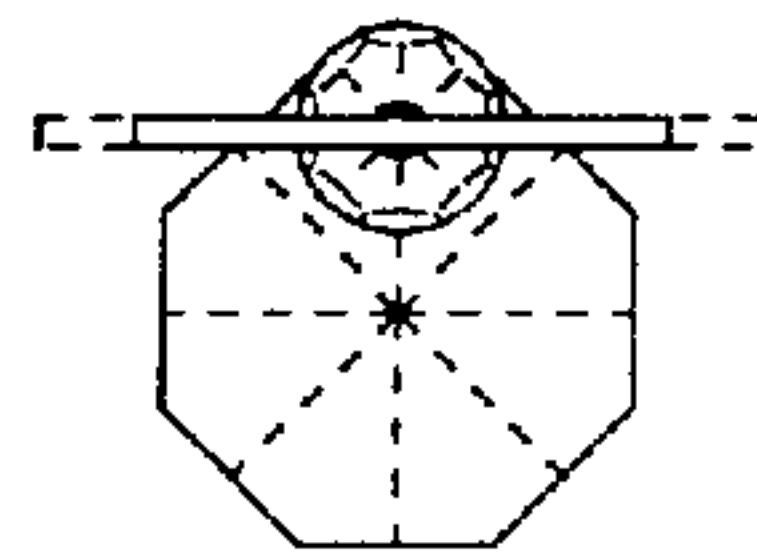


FIG. 5

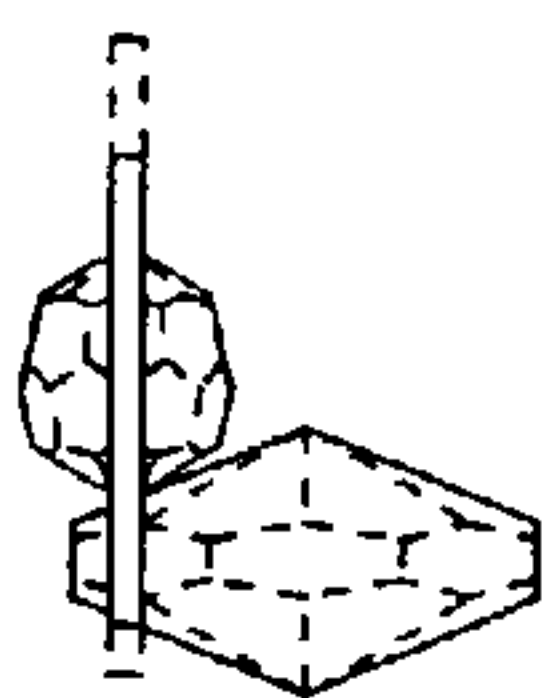


FIG. 3

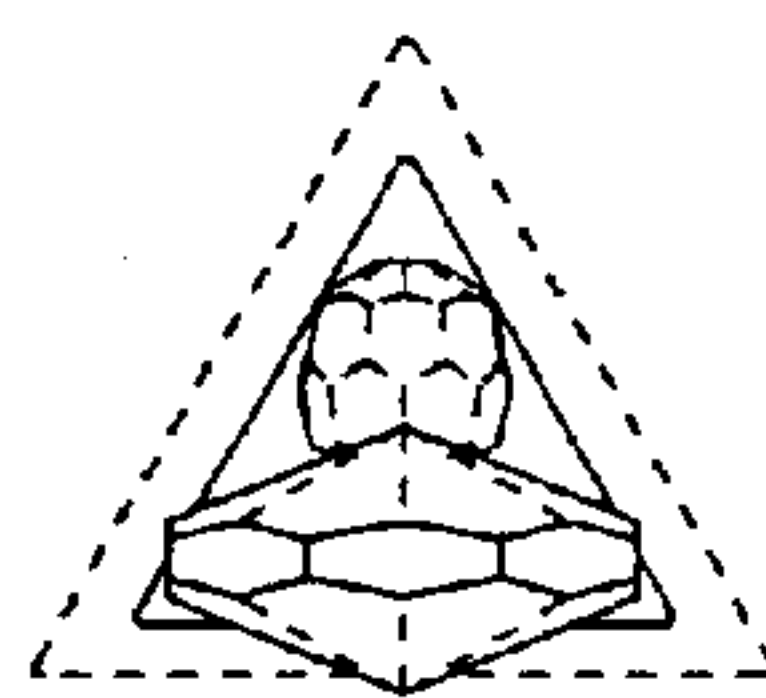


FIG. 2

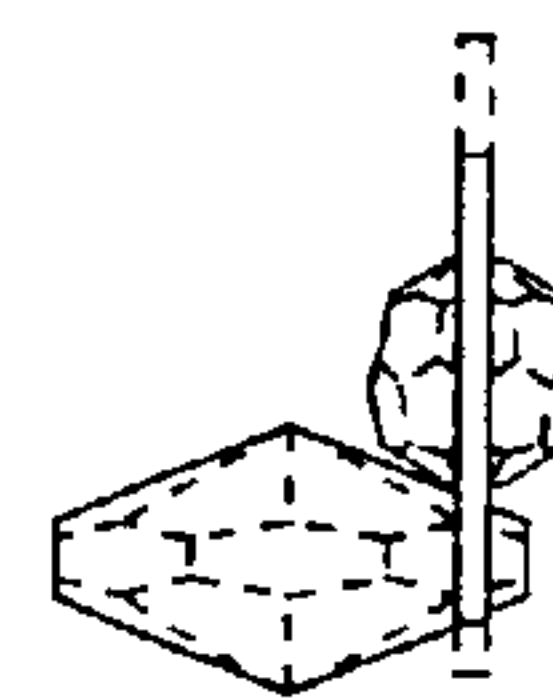


FIG. 4

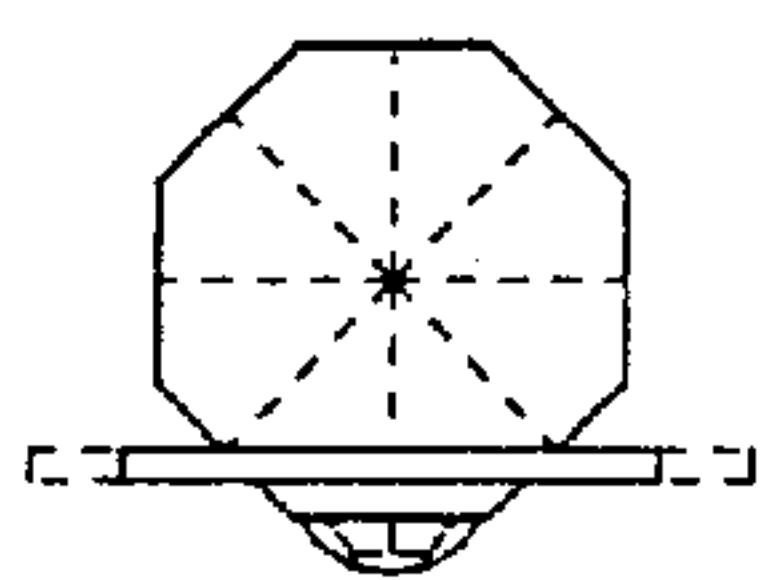


FIG. 6

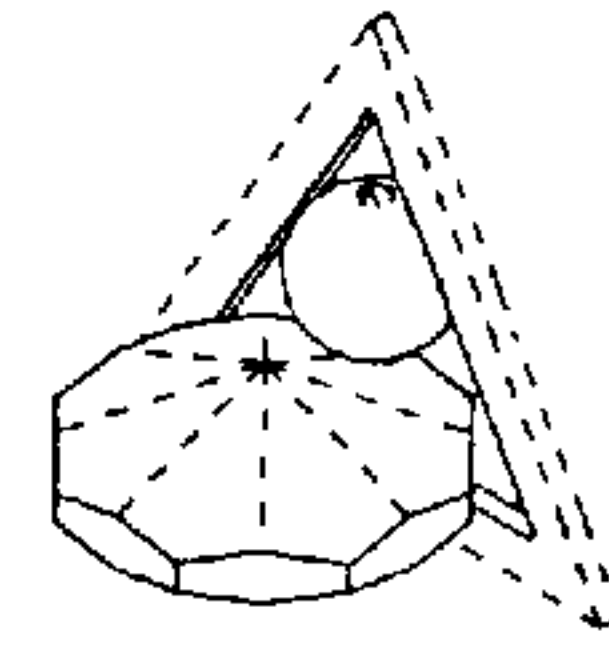


FIG. 8

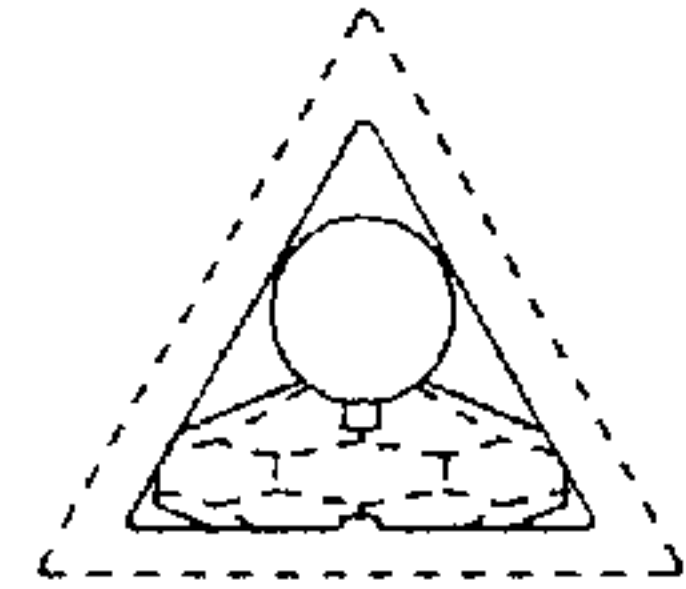


FIG. 14

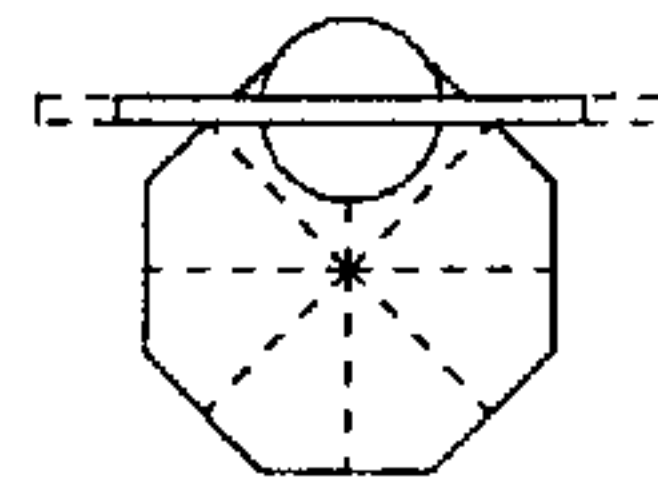


FIG. 12

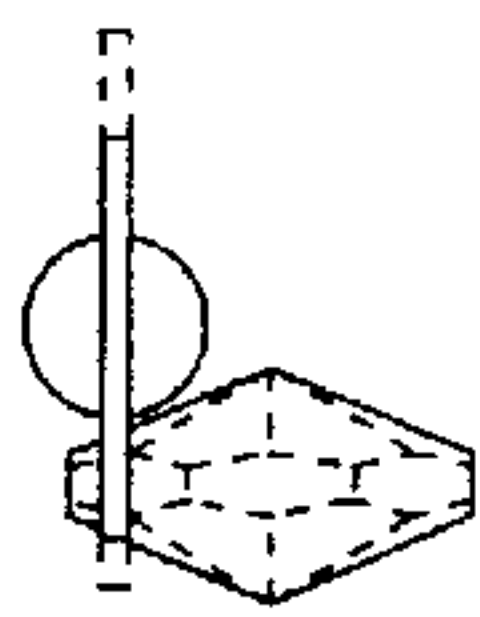


FIG. 10

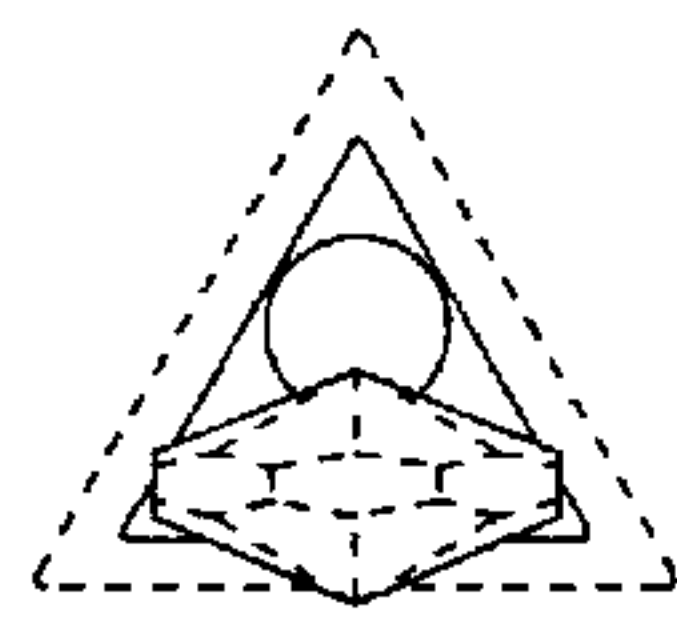


FIG. 9

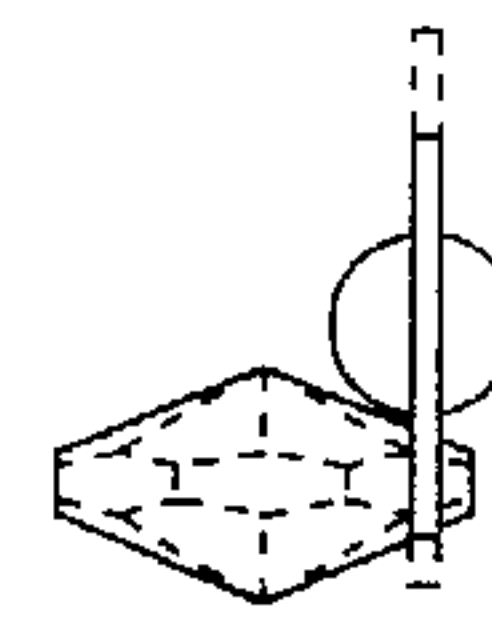


FIG. 11

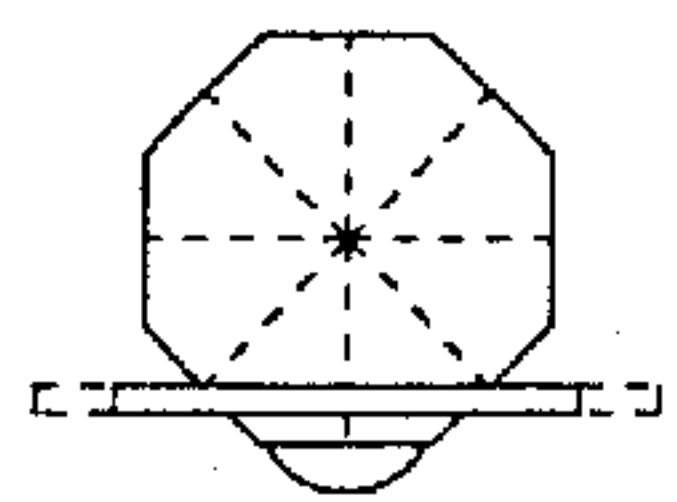


FIG. 13

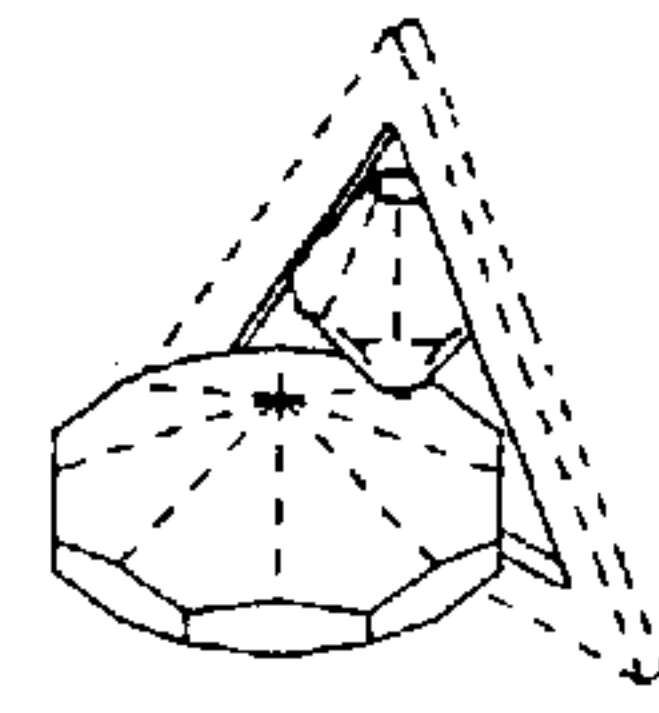


FIG. 15

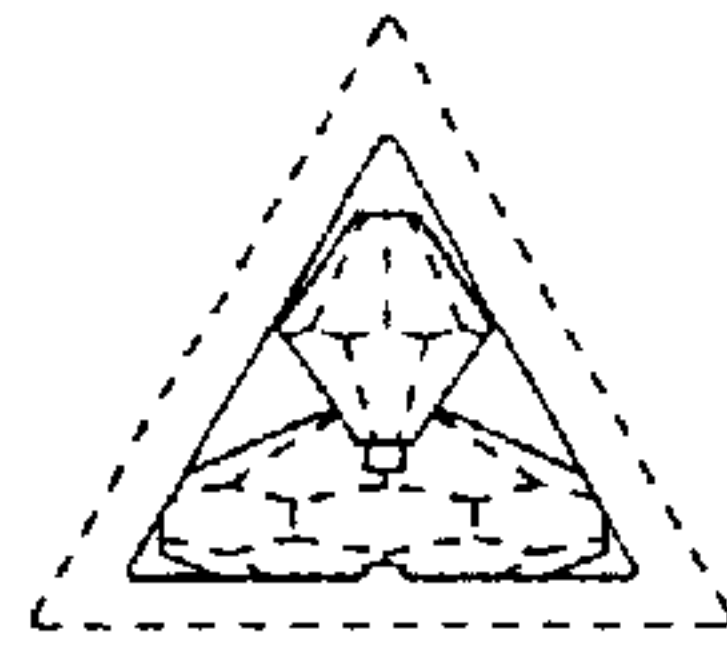


FIG. 21

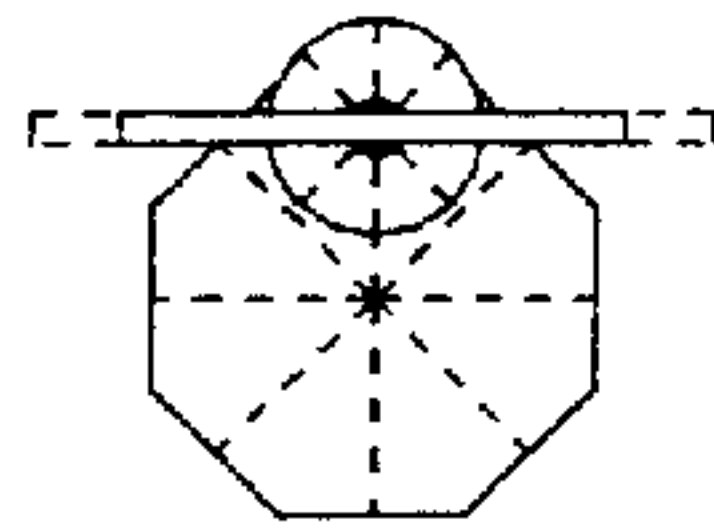


FIG. 19

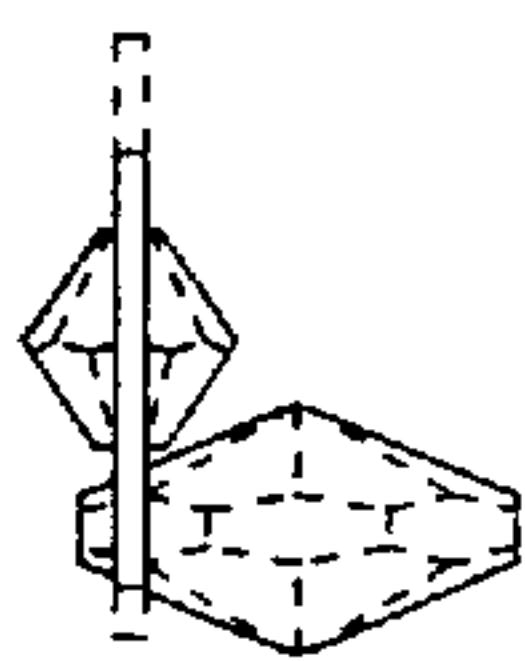


FIG. 17

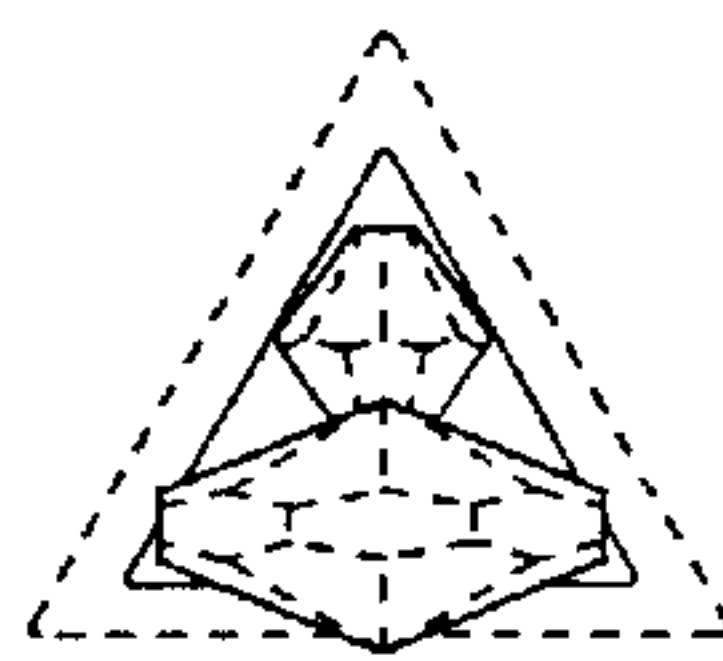


FIG. 16

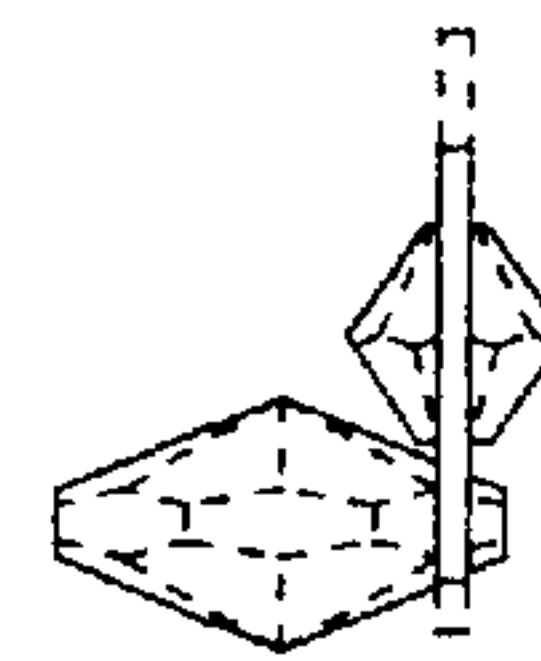


FIG. 18

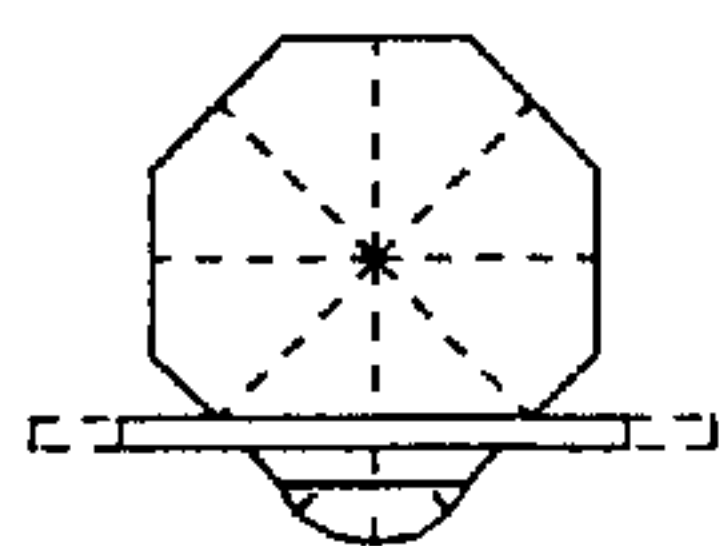


FIG. 20