

US00D522681S

(12) **United States Design Patent**  
**Chen**

(10) **Patent No.:** **US D522,681 S**

(45) **Date of Patent:** **\*\* Jun. 6, 2006**

(54) **TABLE LAMP**

(76) Inventor: **Wen-Tsung Chen**, No. 15-1 Fen Liao Road., Tung Lin Tsun, Linkou Hsiang, Taipei Hsien (TW)

(\*\*) Term: **14 Years**

(21) Appl. No.: **29/233,134**

(22) Filed: **Jun. 29, 2005**

(51) **LOC (8) Cl.** ..... **26-05**

(52) **U.S. Cl.** ..... **D26/65; D26/107**

(58) **Field of Classification Search** ..... D26/60-65,  
D26/93, 118, 107, 43, 51, 56; 362/269, 277,  
362/278, 282, 285, 287, 288, 410, 413, 418-430,  
362/449

See application file for complete search history.

(56) **References Cited**

**U.S. PATENT DOCUMENTS**

- 3,089,028 A \* 5/1963 Klampferer ..... D26/63
- D332,669 S \* 1/1993 Frost et al. .... D26/63
- D345,027 S \* 3/1994 Huang ..... D26/65

- D408,568 S \* 4/1999 Schaak ..... D26/62
- D439,358 S \* 3/2001 Lin ..... D26/65
- D441,476 S \* 5/2001 Mendelsohn et al. .... D26/63
- D467,378 S \* 12/2002 Wang ..... D26/65

\* cited by examiner

*Primary Examiner*—Clare E Heflin

(74) *Attorney, Agent, or Firm*—Rosenberg, Klein & Lee

(57) **CLAIM**

The ornamental design for a “table lamp,” as shown and described.

**DESCRIPTION**

FIG. 1 is a perspective view of a “table lamp” showing my new design;

FIG. 2 is a front view thereof;

FIG. 3 is a rear view thereof;

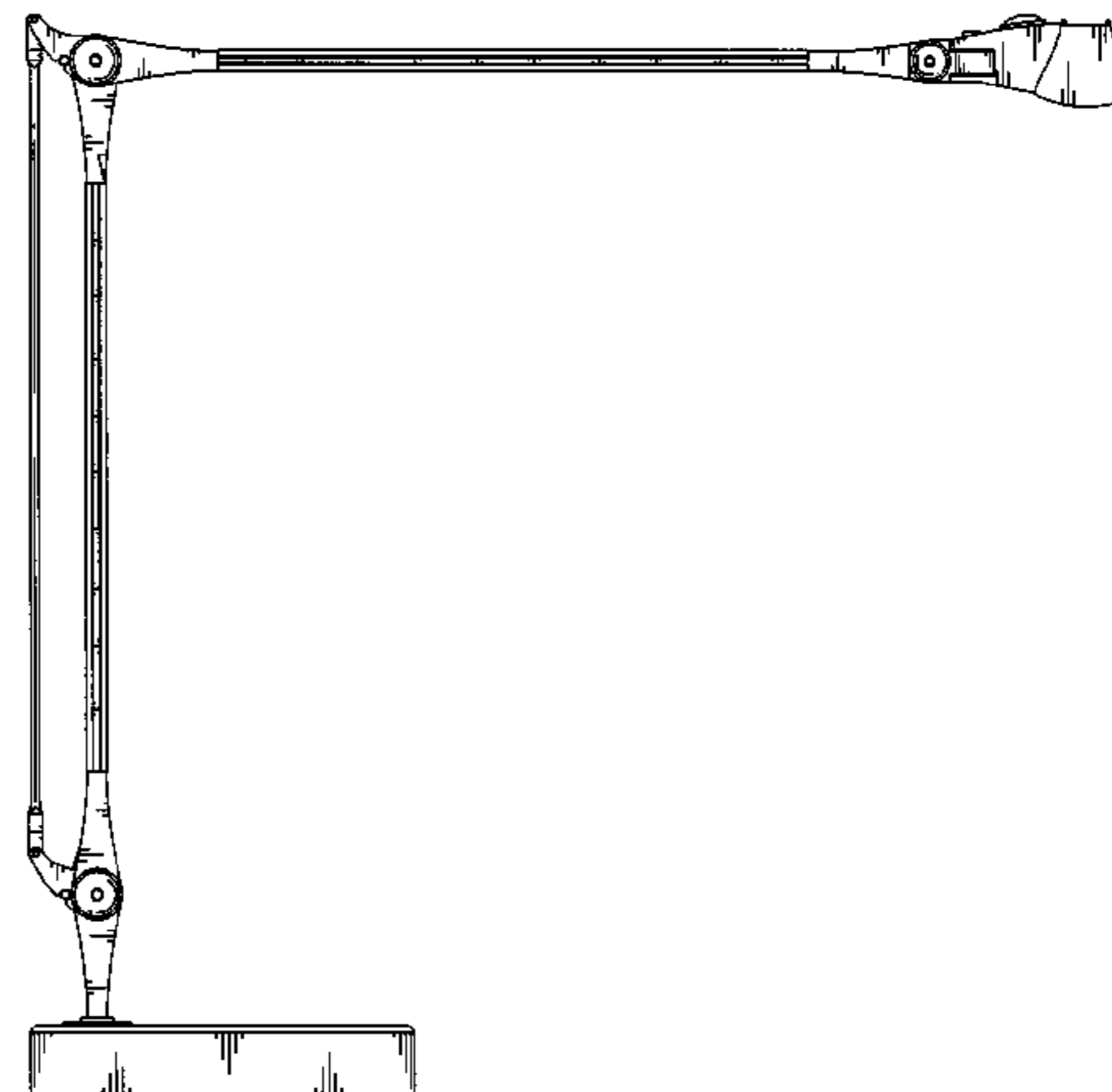
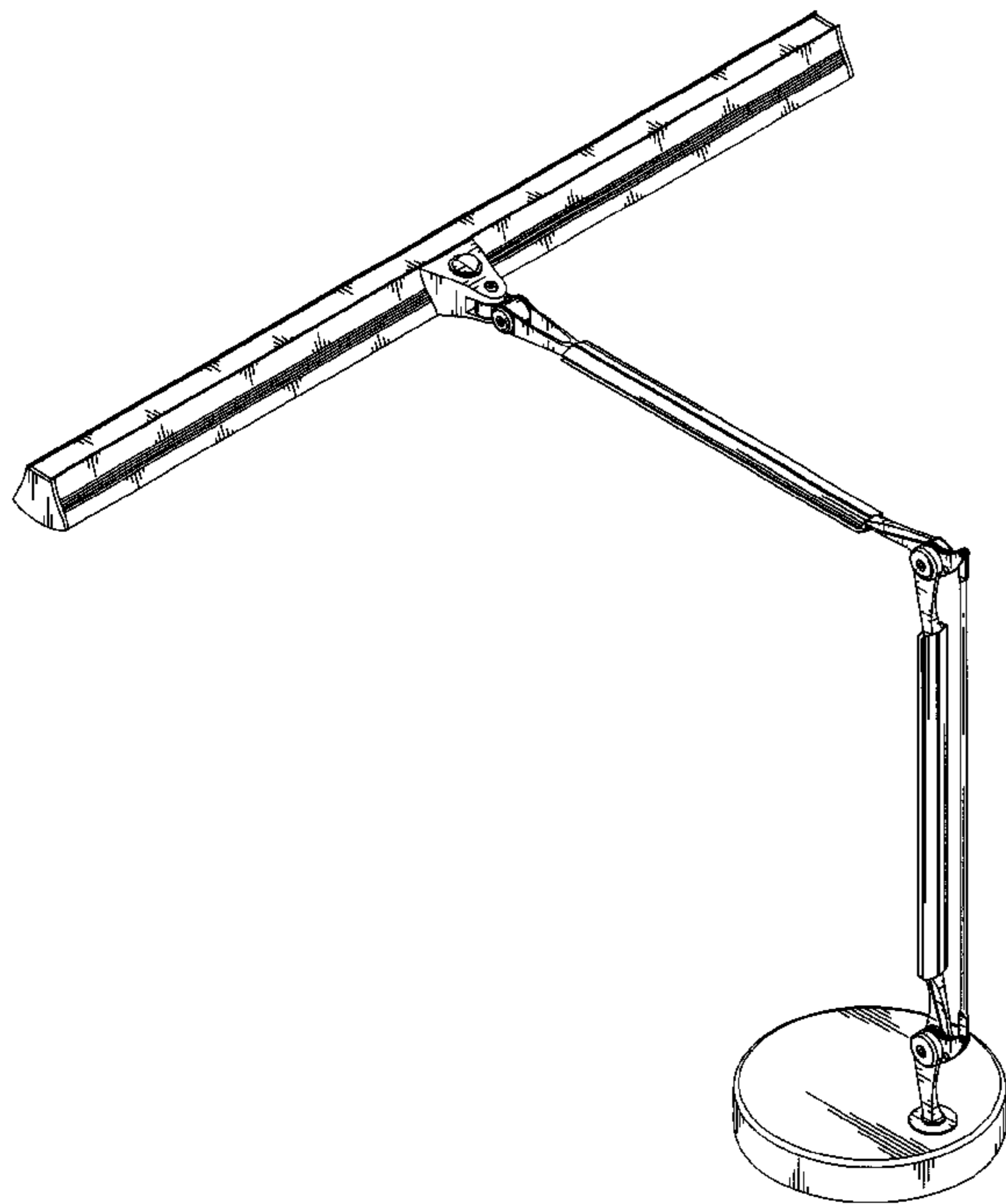
FIG. 4 is a left side view thereof;

FIG. 5 is a right side view thereof;

FIG. 6 is a top view thereof; and,

FIG. 7 is a bottom view thereof.

**1 Claim, 7 Drawing Sheets**



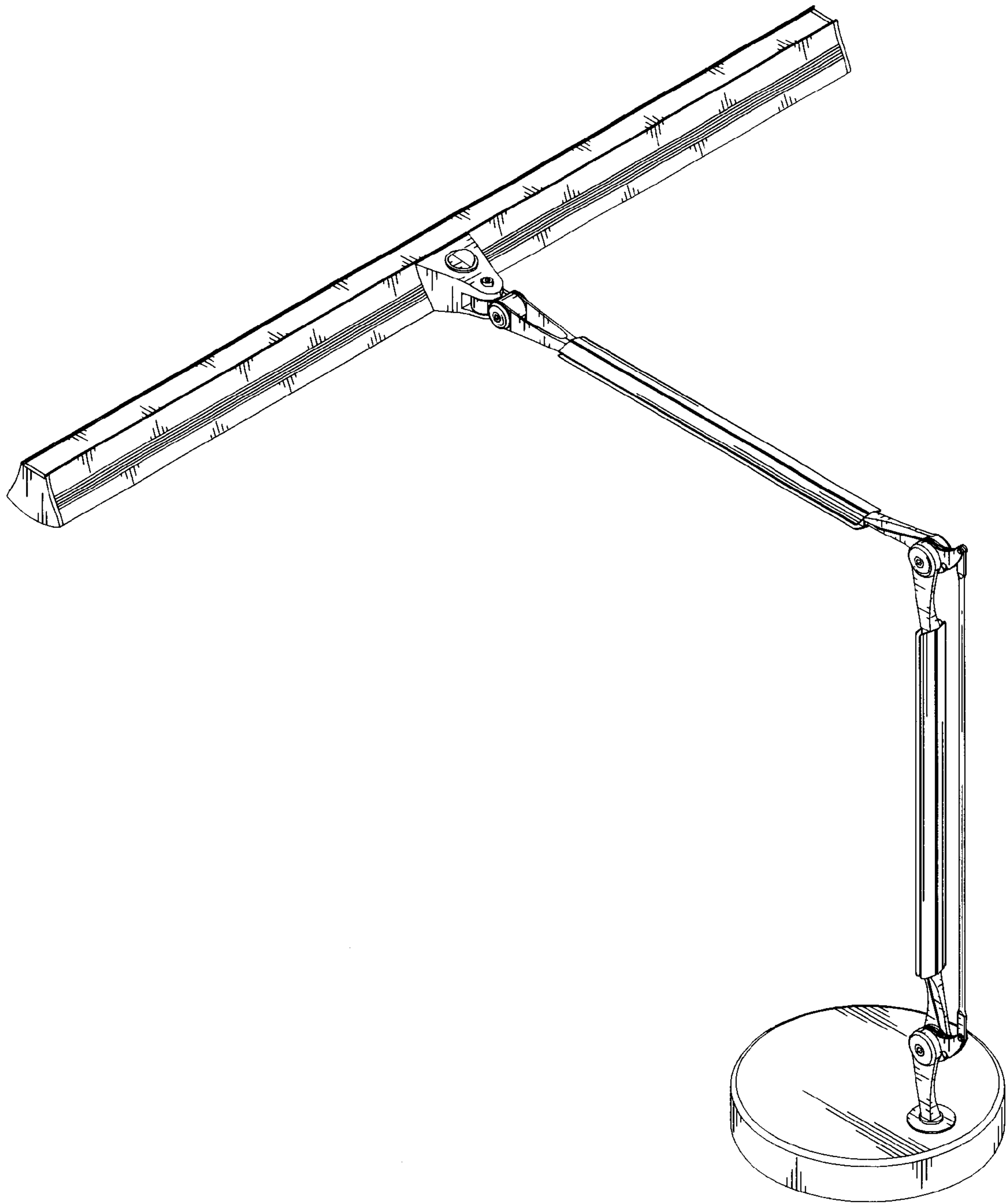


FIG. 1

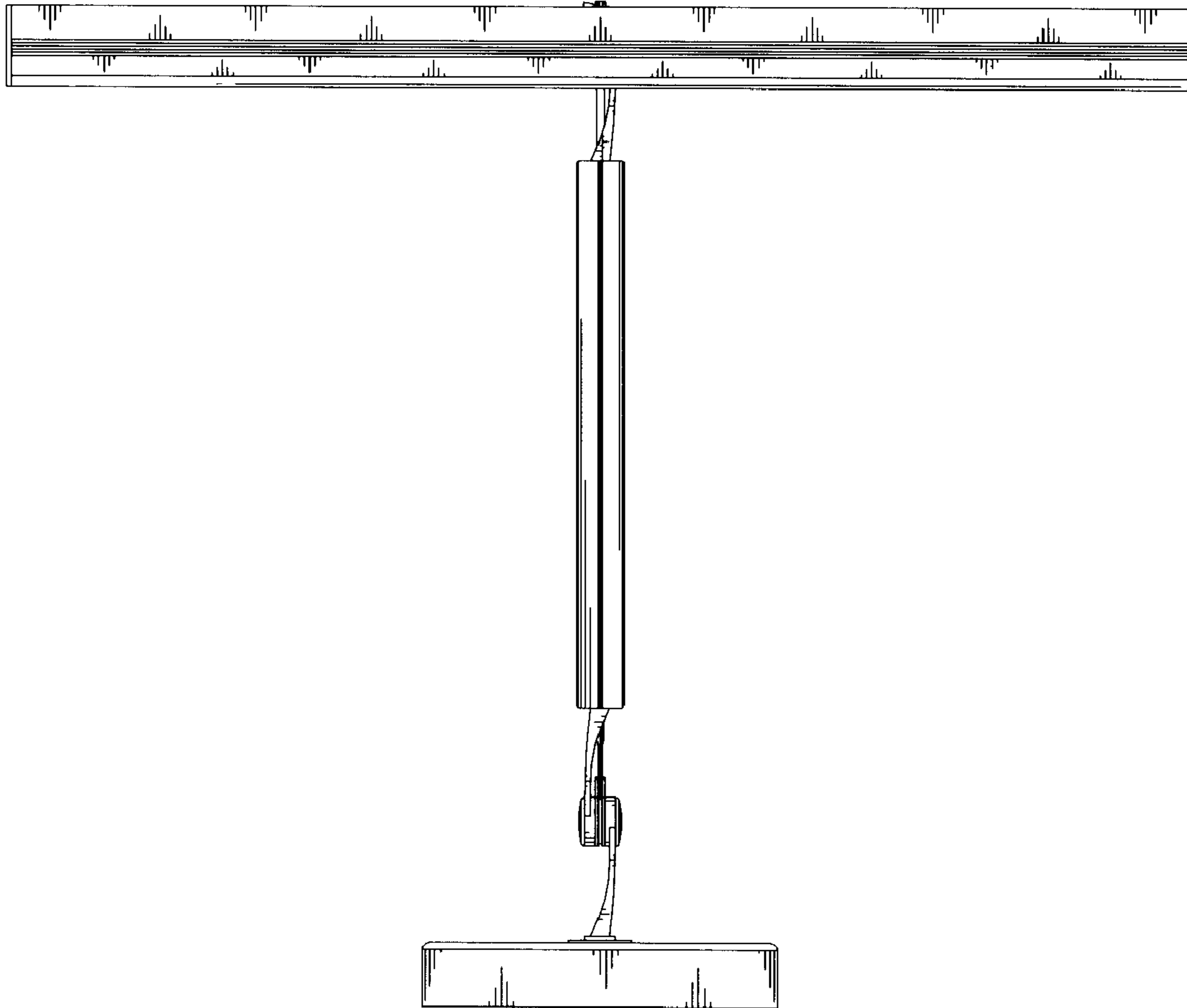


FIG. 2

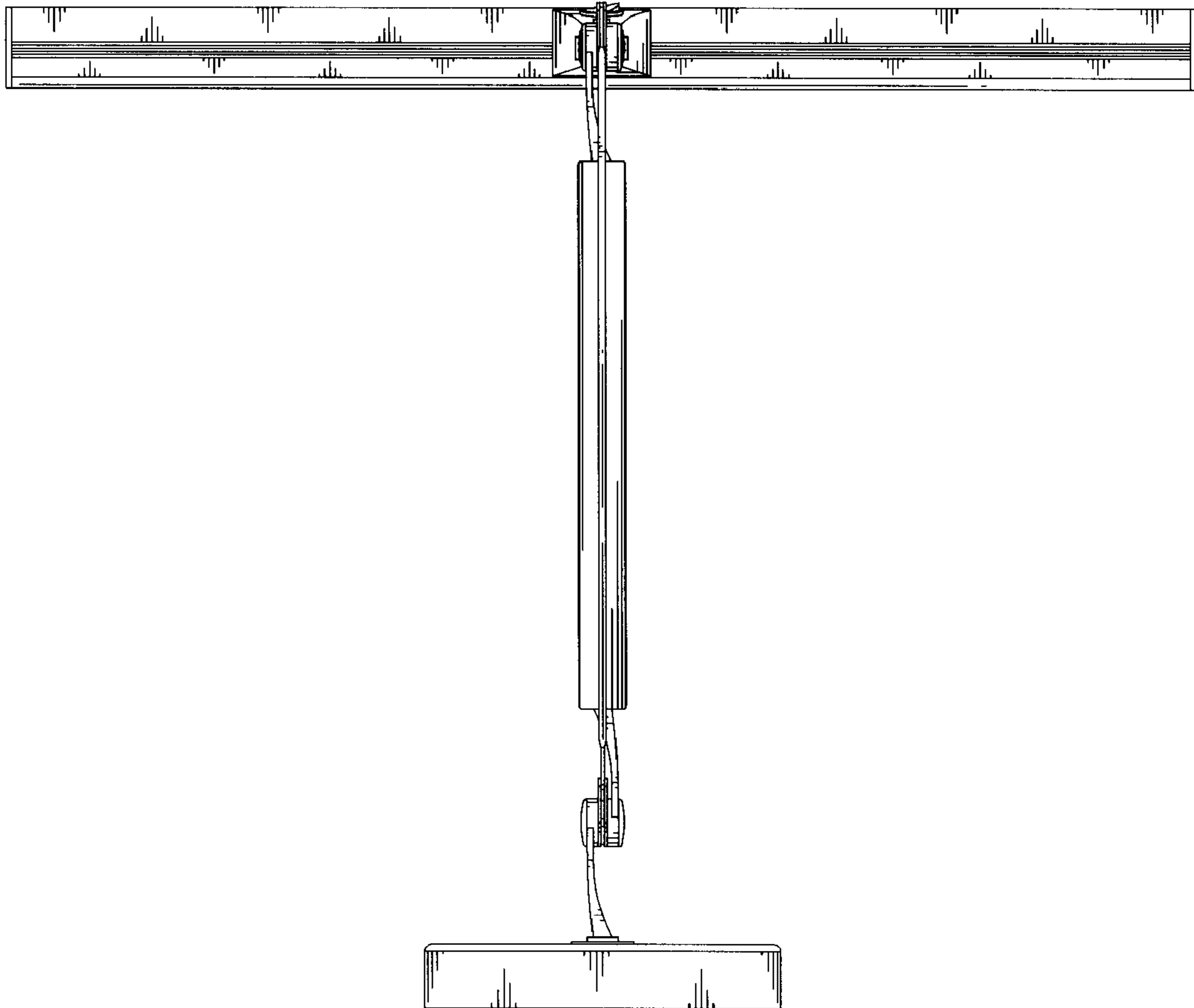


FIG. 3

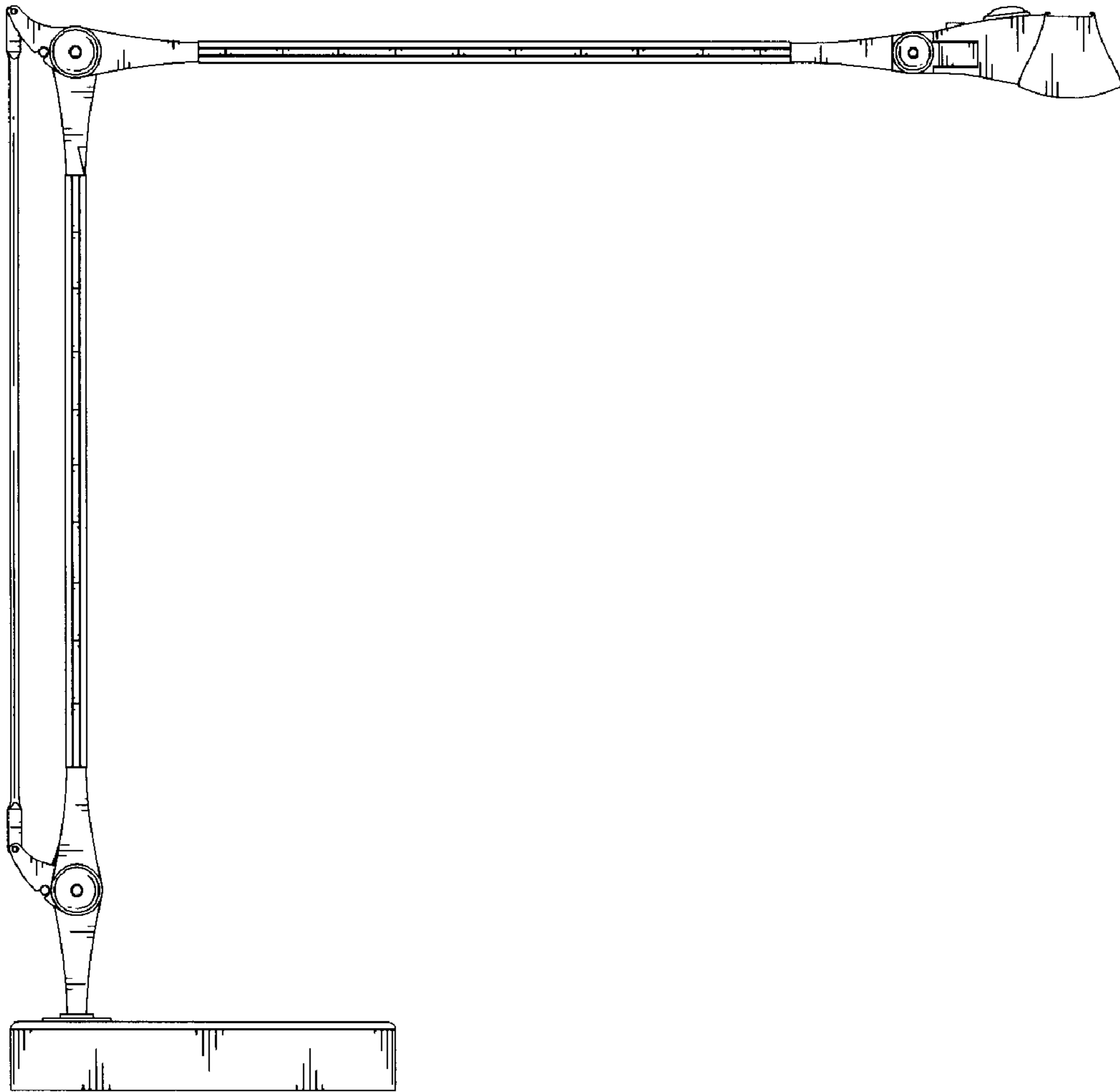


FIG. 4

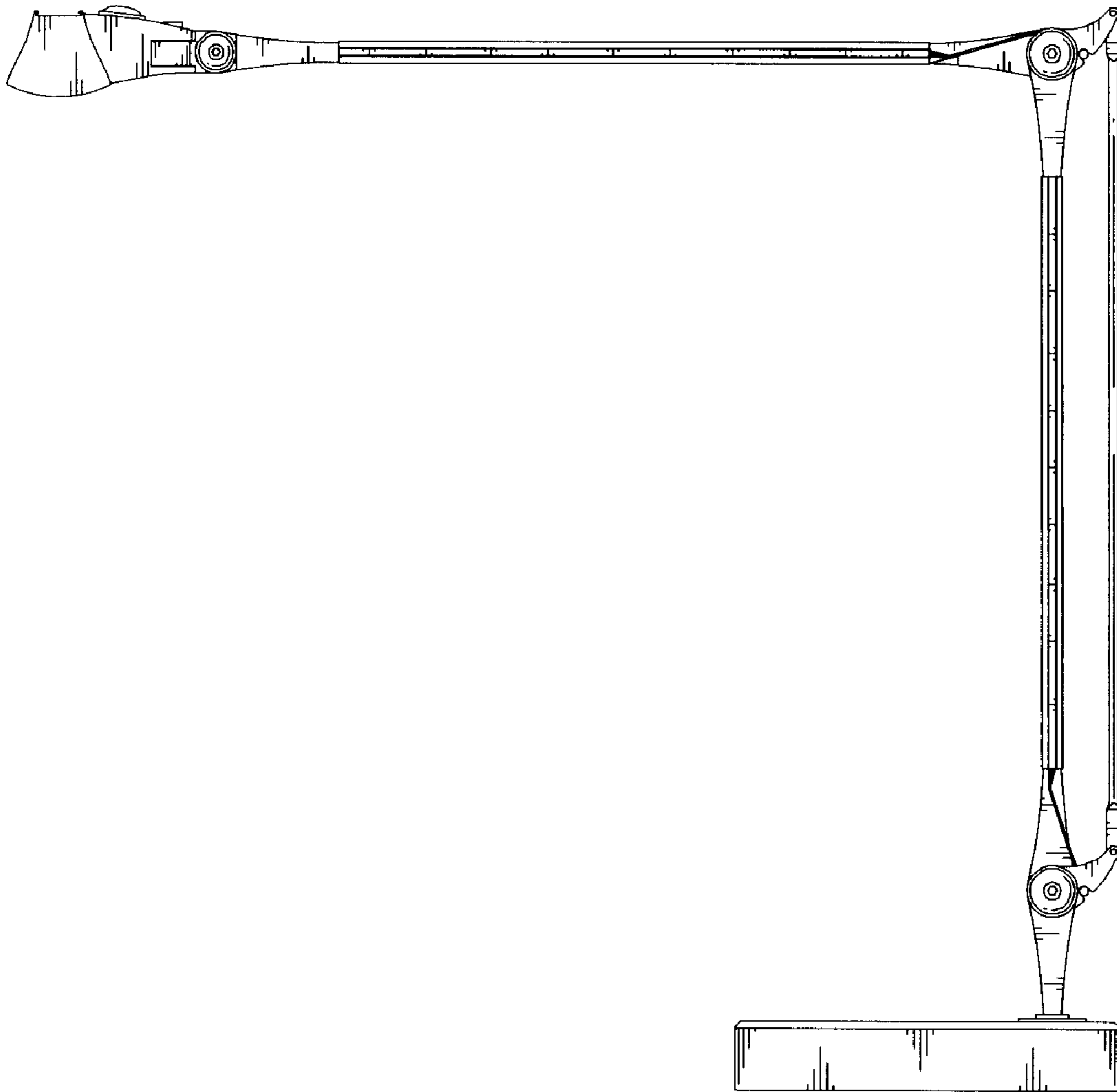


FIG. 5

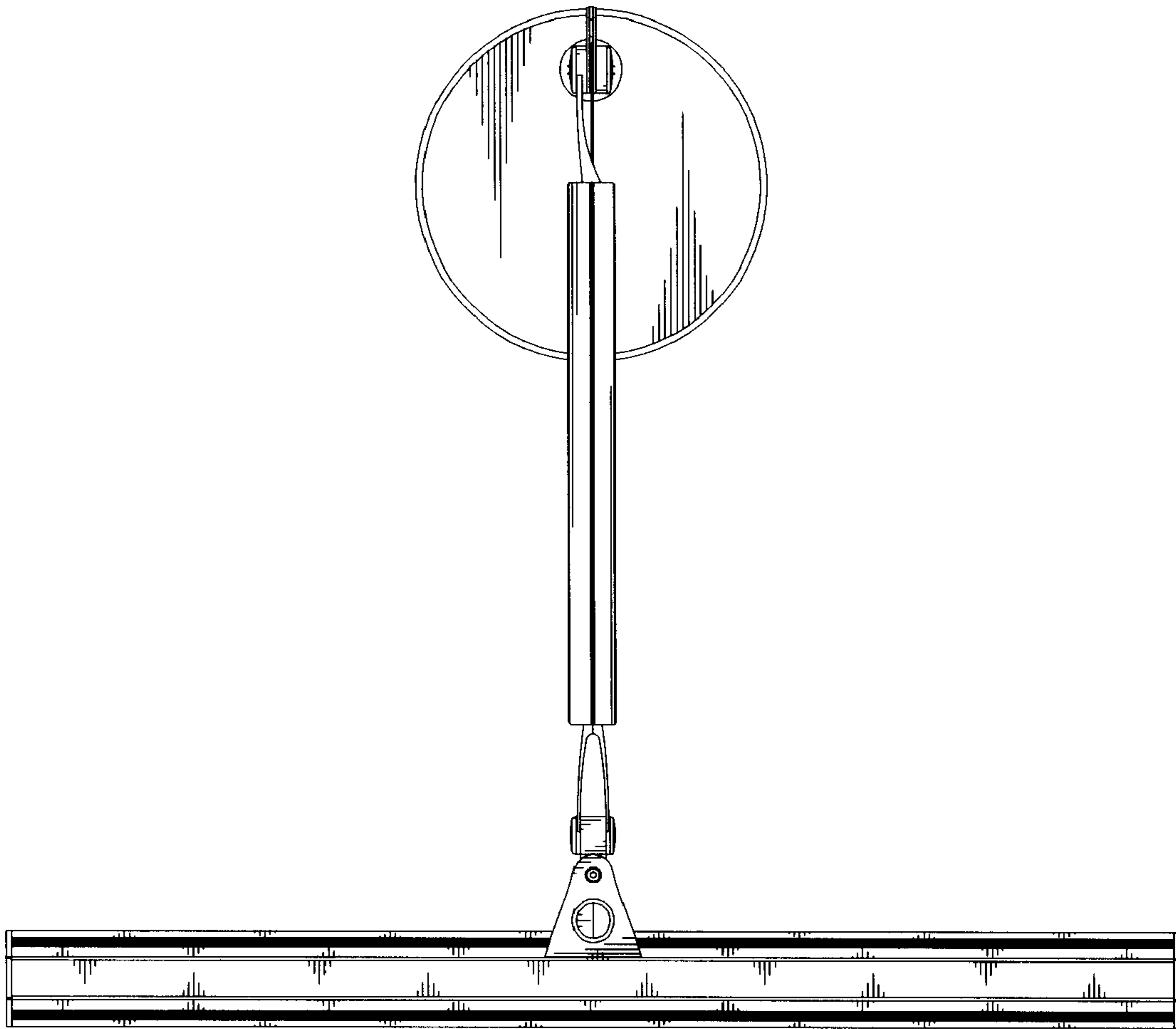


FIG. 6

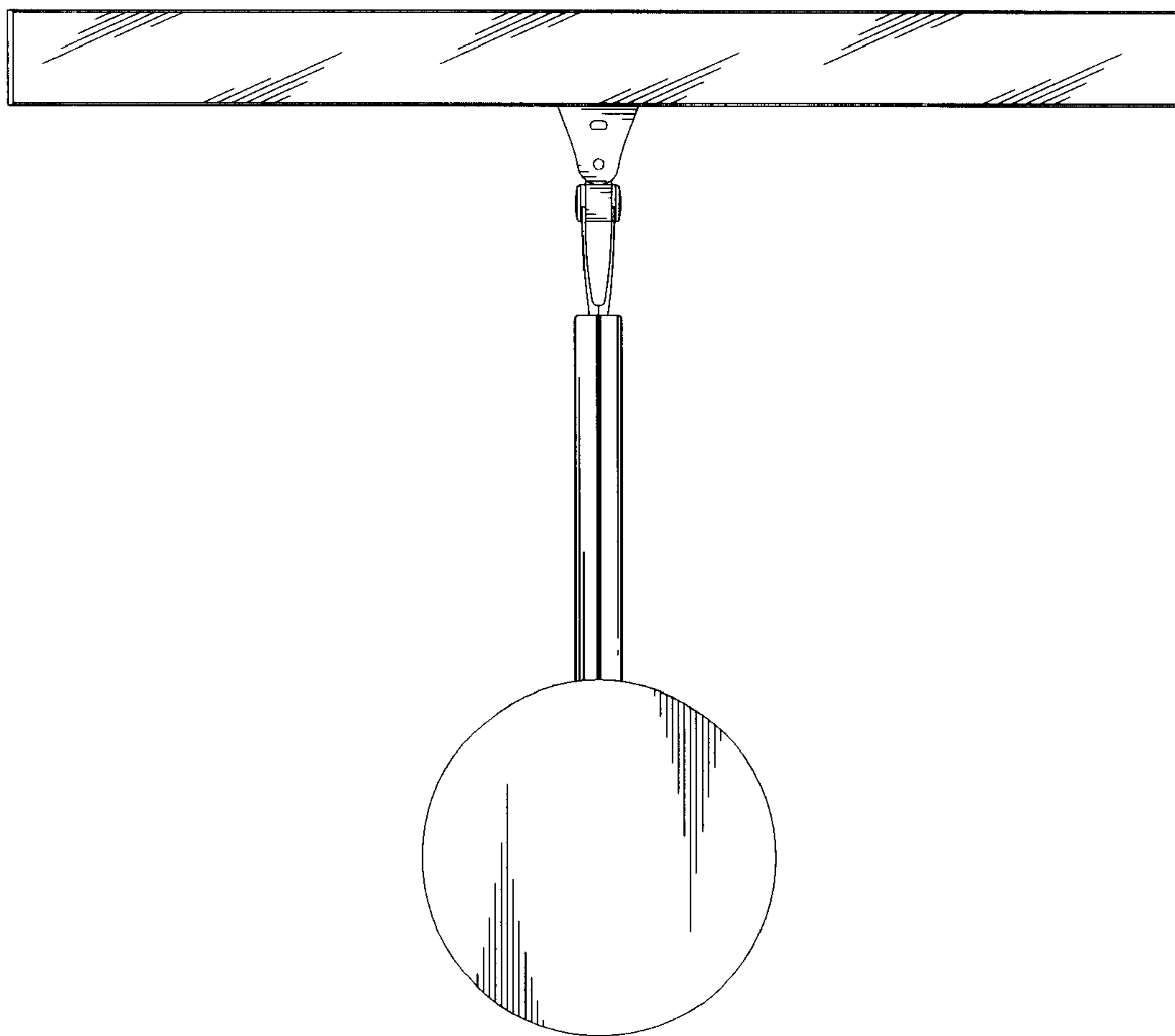


FIG. 7