

US00D522680S

(12) **United States Design Patent**
Stephant

(10) **Patent No.:** **US D522,680 S**

(45) **Date of Patent:** **** Jun. 6, 2006**

(54) **LAMP**

(75) **Inventor:** **Philippe Stephant**, Hyères les palmiers (FR)

(73) **Assignee:** **C.G. Lighting Limited**, Wanchai (HK)

(**) **Term:** **14 Years**

(21) **Appl. No.:** **29/230,545**

(22) **Filed:** **May 24, 2005**

(30) **Foreign Application Priority Data**

Feb. 8, 2005 (HK) 0500296

(51) **LOC (8) Cl.** **26-05**

(52) **U.S. Cl.** **D26/65; D26/63**

(58) **Field of Classification Search** D26/60-65,
D26/93, 118, 107, 43, 51, 56; 362/269, 277,
362/278, 282, 285, 287, 288, 410, 413, 418-430,
362/449

See application file for complete search history.

(56) **References Cited**

U.S. PATENT DOCUMENTS

D90,858 S * 10/1933 Rowe D26/60
D175,432 S * 8/1955 Mehr D26/62
3,345,024 A * 10/1967 Victor 248/122.1
D334,075 S * 3/1993 Bianchi D26/65

D392,068 S * 3/1998 Newhouse D26/107
D402,071 S * 12/1998 Hsieh D26/63
D408,568 S * 4/1999 Schaak D26/62
D423,136 S * 4/2000 Hsieh D26/107

* cited by examiner

Primary Examiner—Clare E Heflin

(74) *Attorney, Agent, or Firm*—Fitzpatrick, Cella, Harper & Scinto

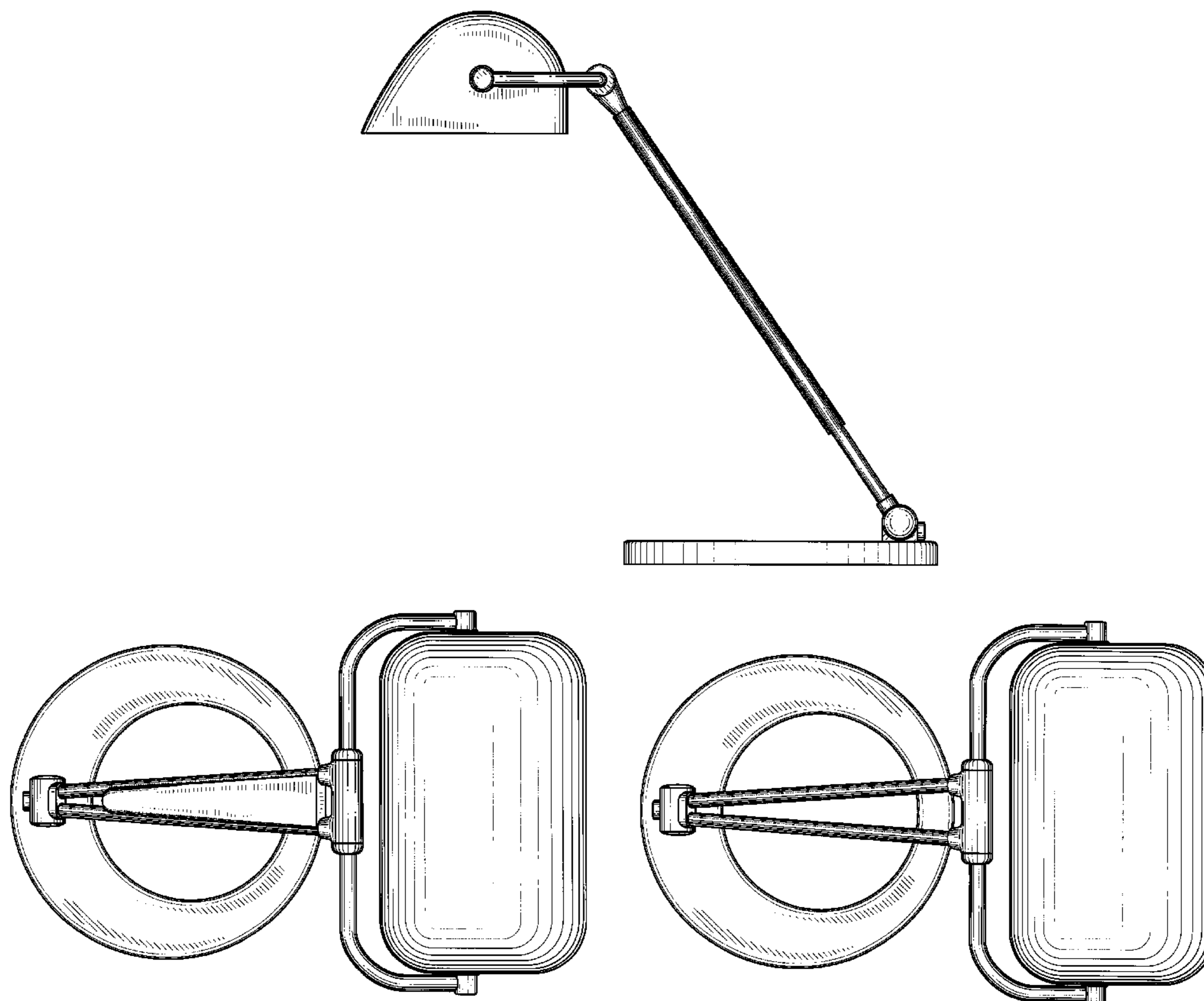
(57) **CLAIM**

The ornamental design for a lamp, substantially as shown and described.

DESCRIPTION

FIG. 1 is a side view of the lamp;
FIG. 2 is an opposite side view thereof;
FIG. 3 is a top view thereof;
FIG. 4 is a front view thereof;
FIG. 5 is a rear view thereof;
FIG. 6 is a bottom view thereof;
FIG. 7 is a side view of a second embodiment of the lamp;
FIG. 8 is an opposite side view of the lamp of FIG. 7;
FIG. 9 is a top view thereof;
FIG. 10 is a front view thereof;
FIG. 11 is a rear view thereof; and,
FIG. 12 is a bottom view thereof.

1 Claim, 12 Drawing Sheets



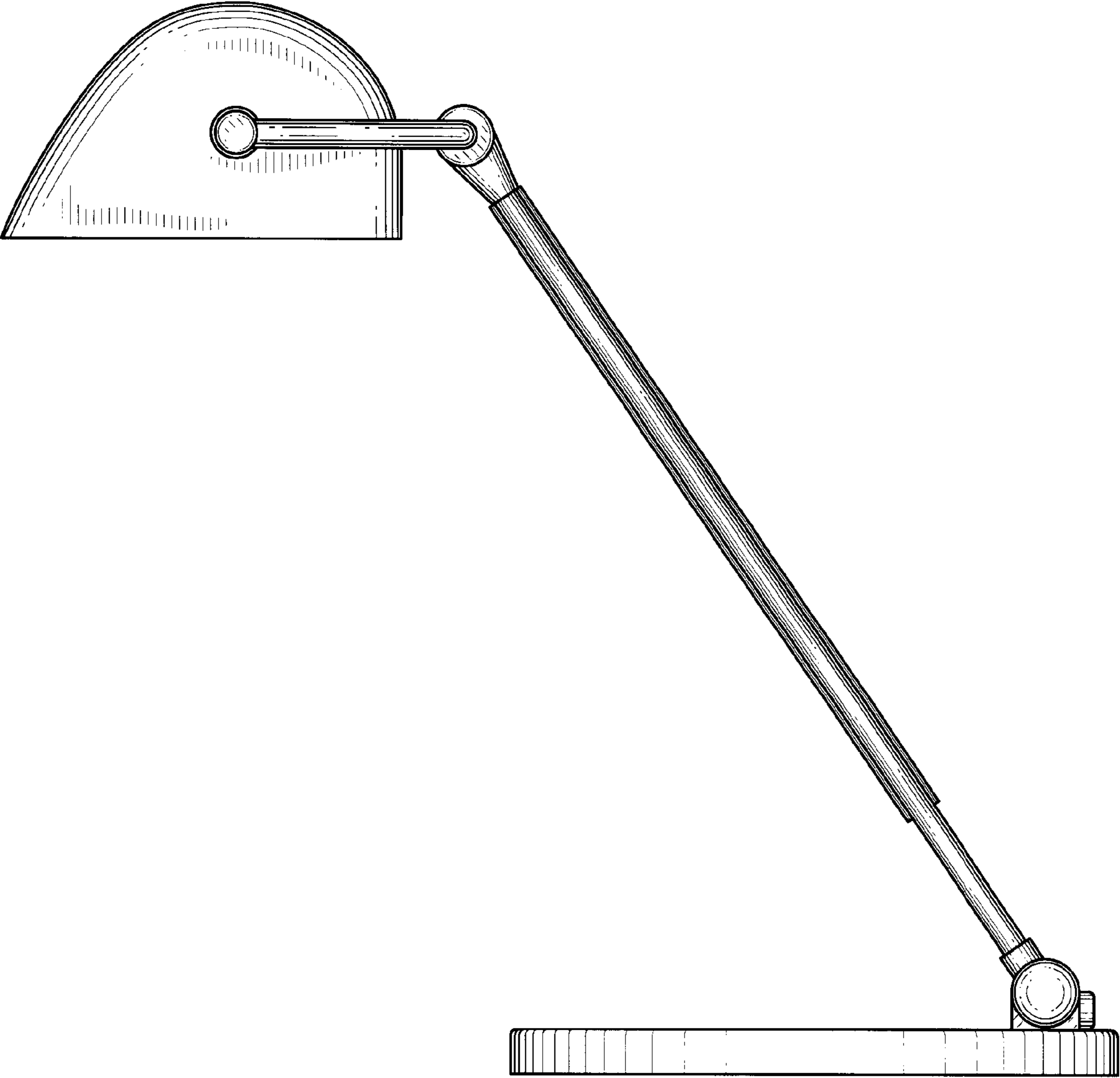


FIG. 1

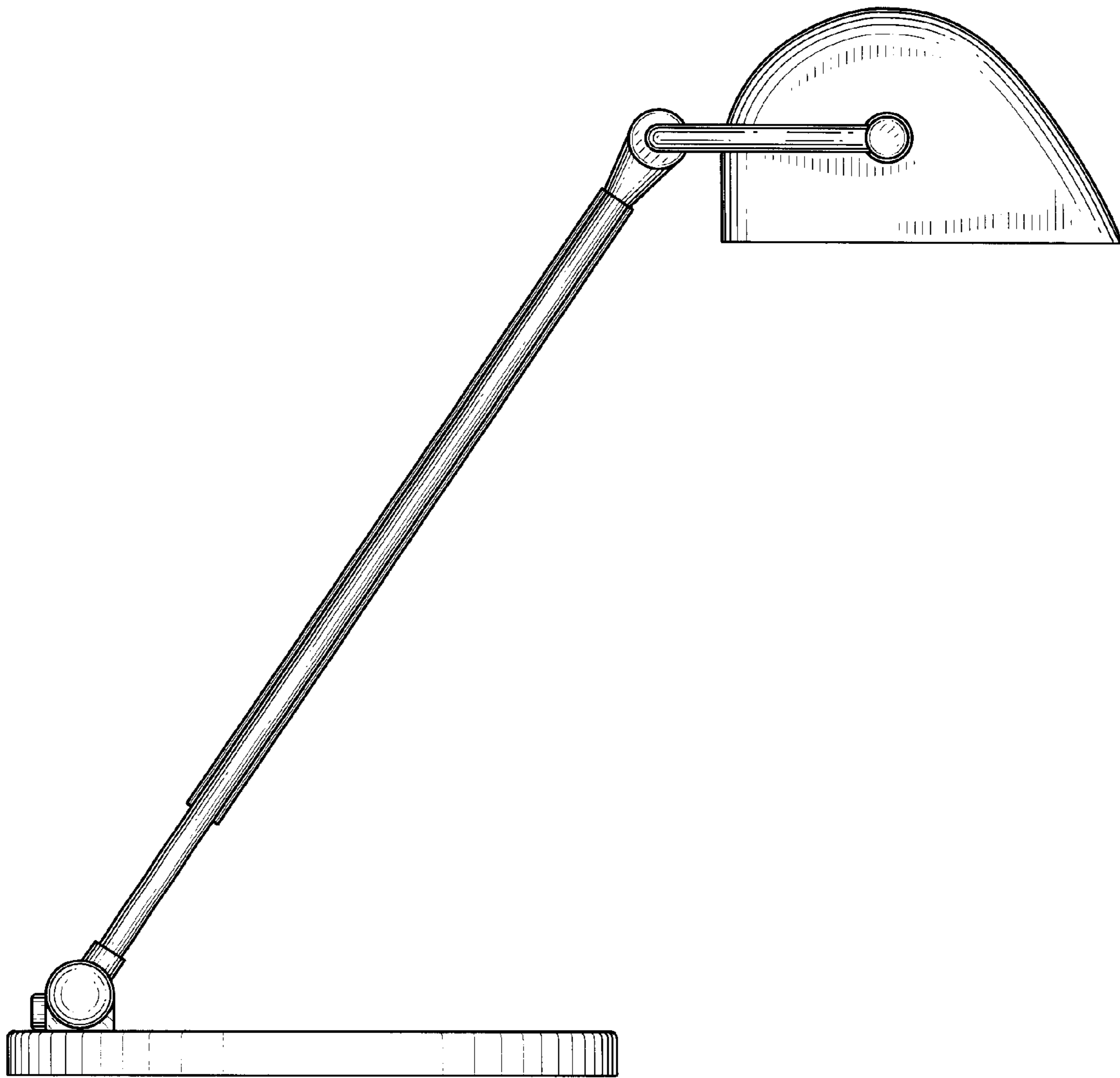


FIG. 2

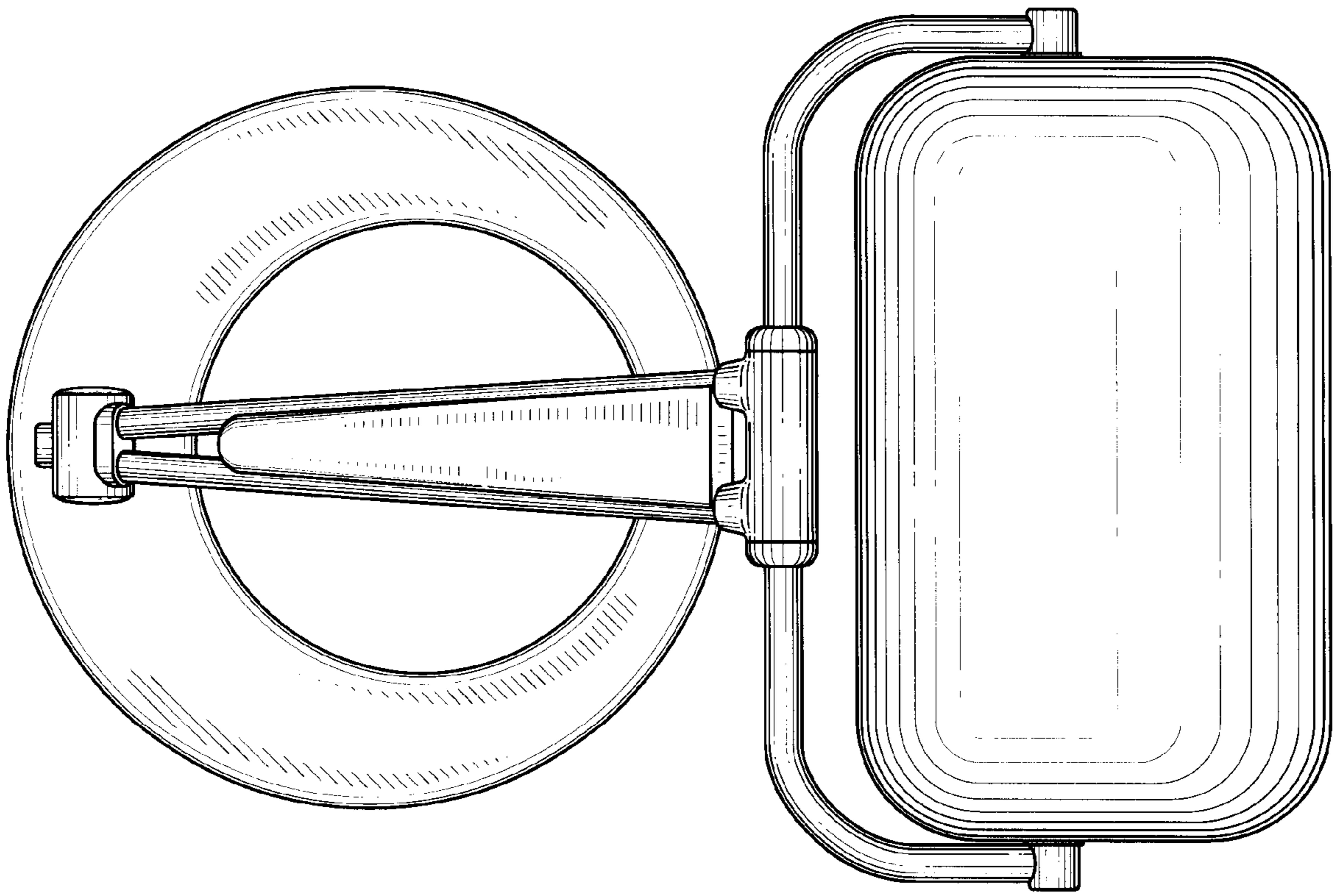


FIG. 3

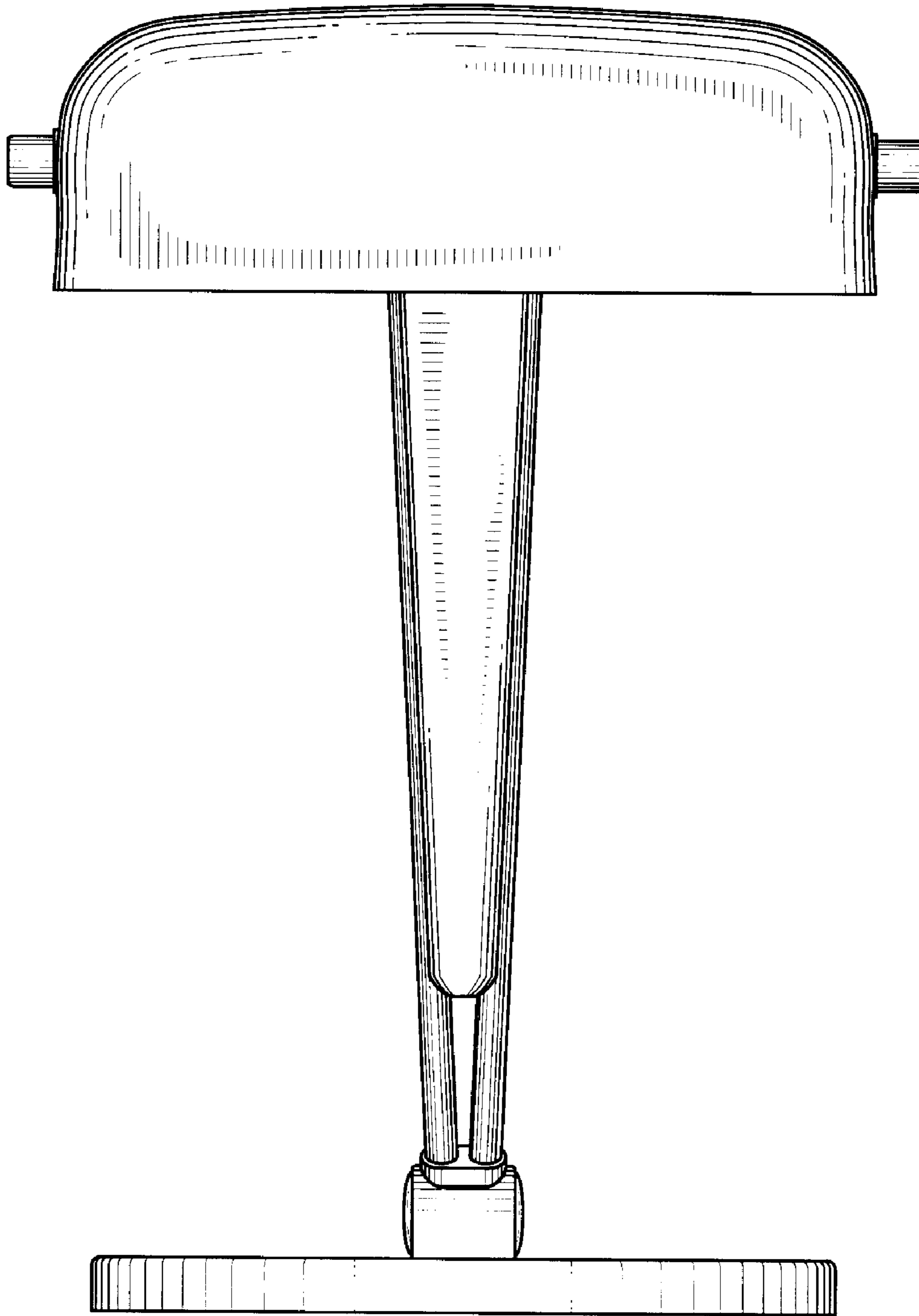


FIG. 4

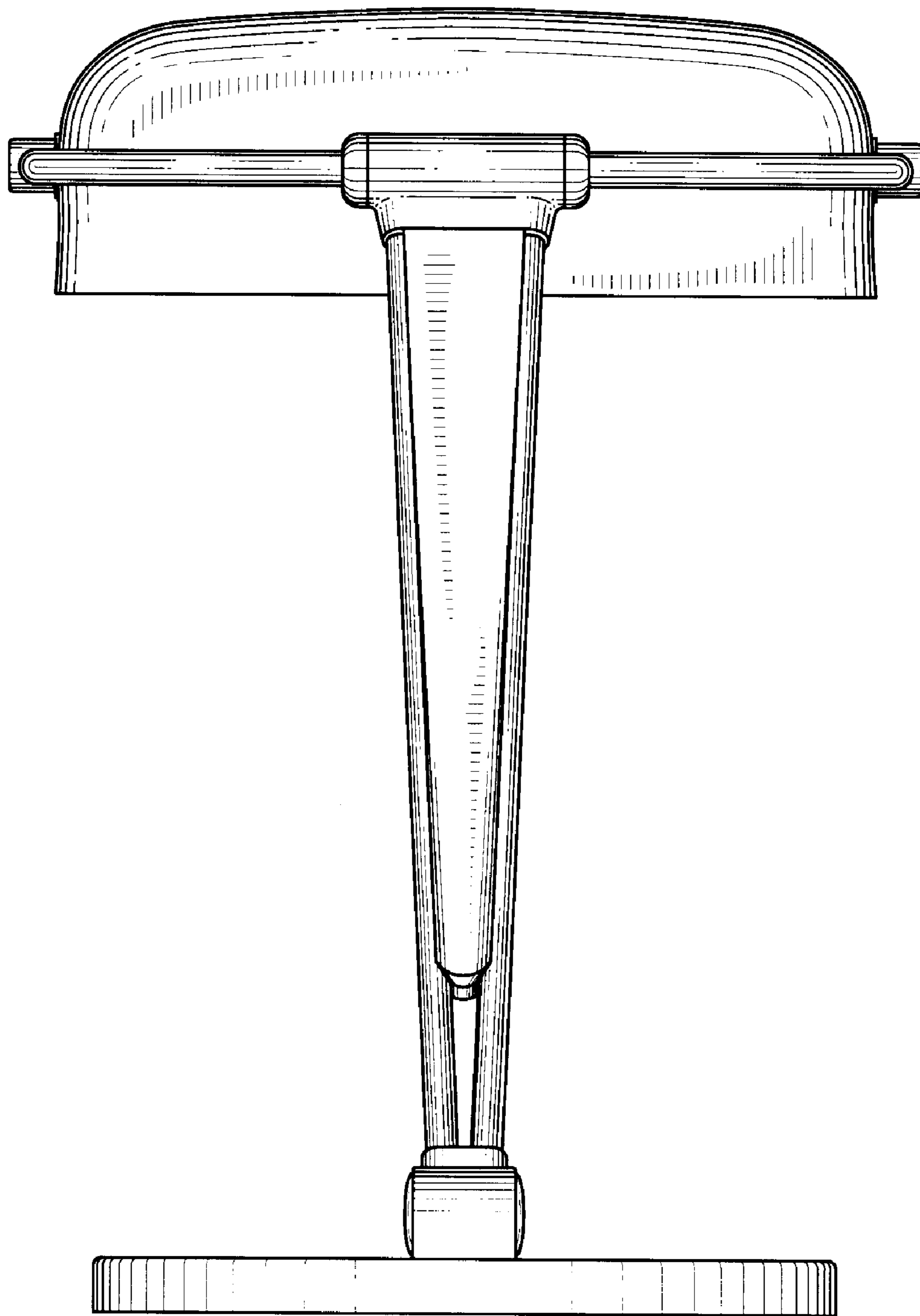


FIG. 5

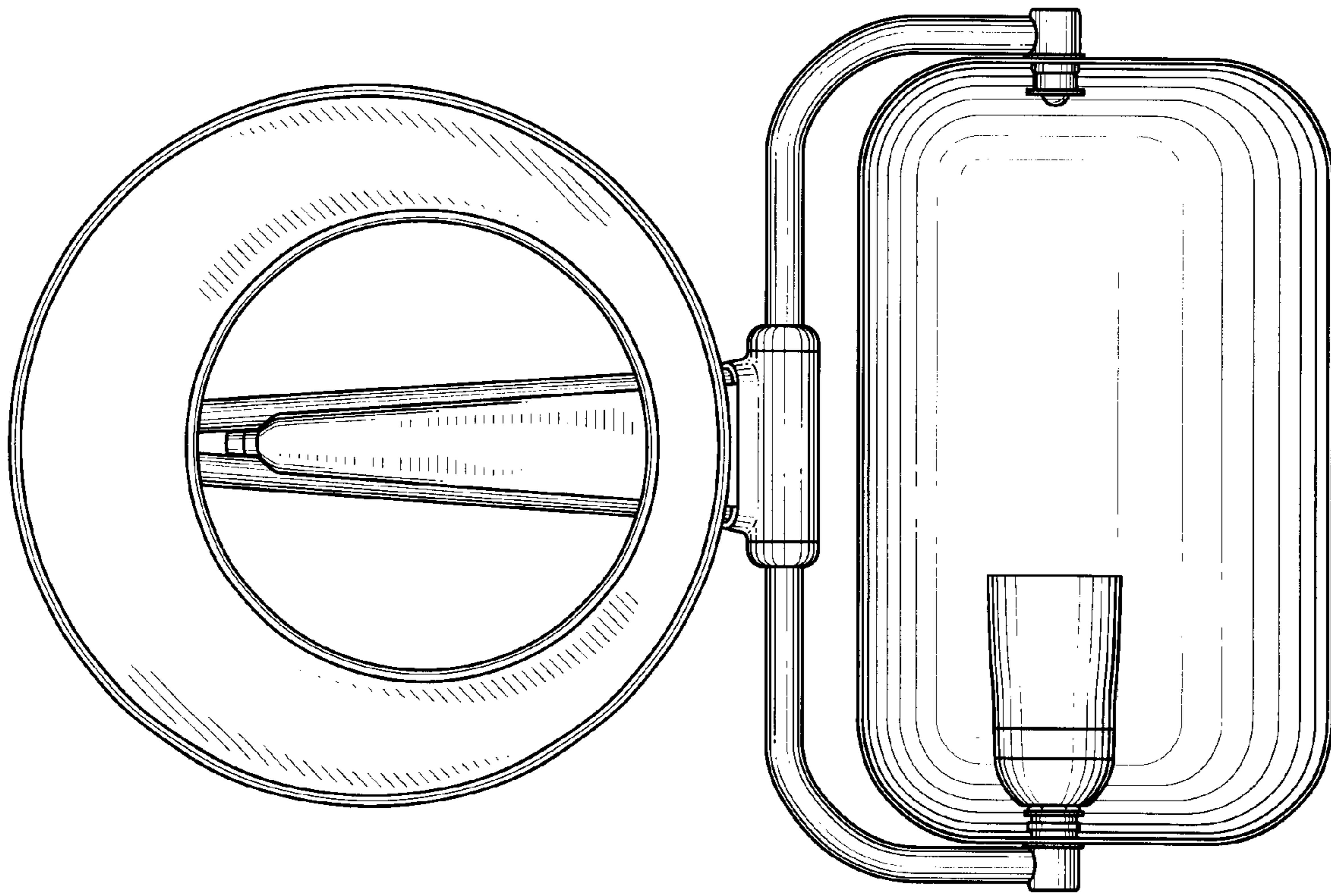


FIG. 6

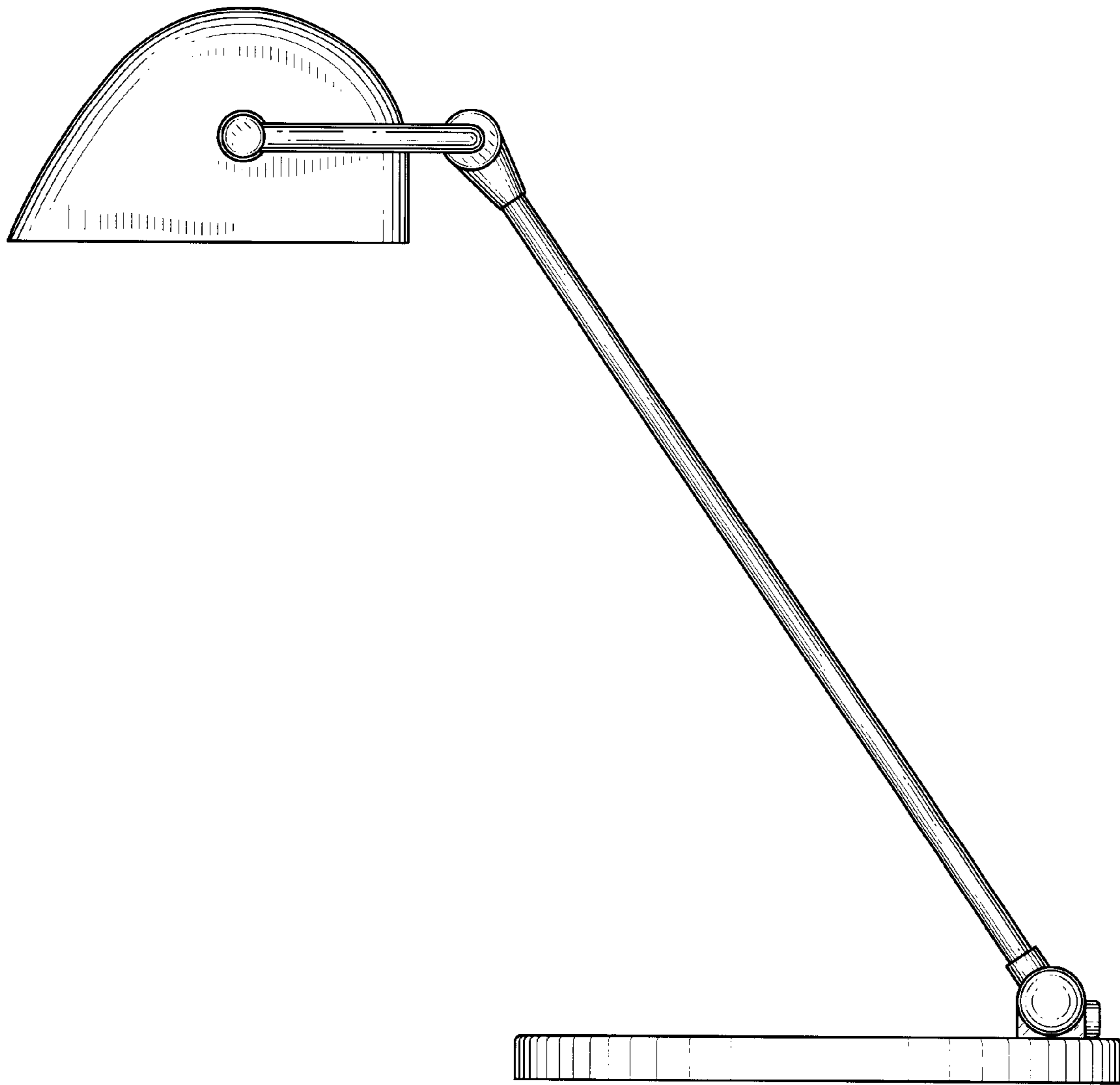


FIG. 7

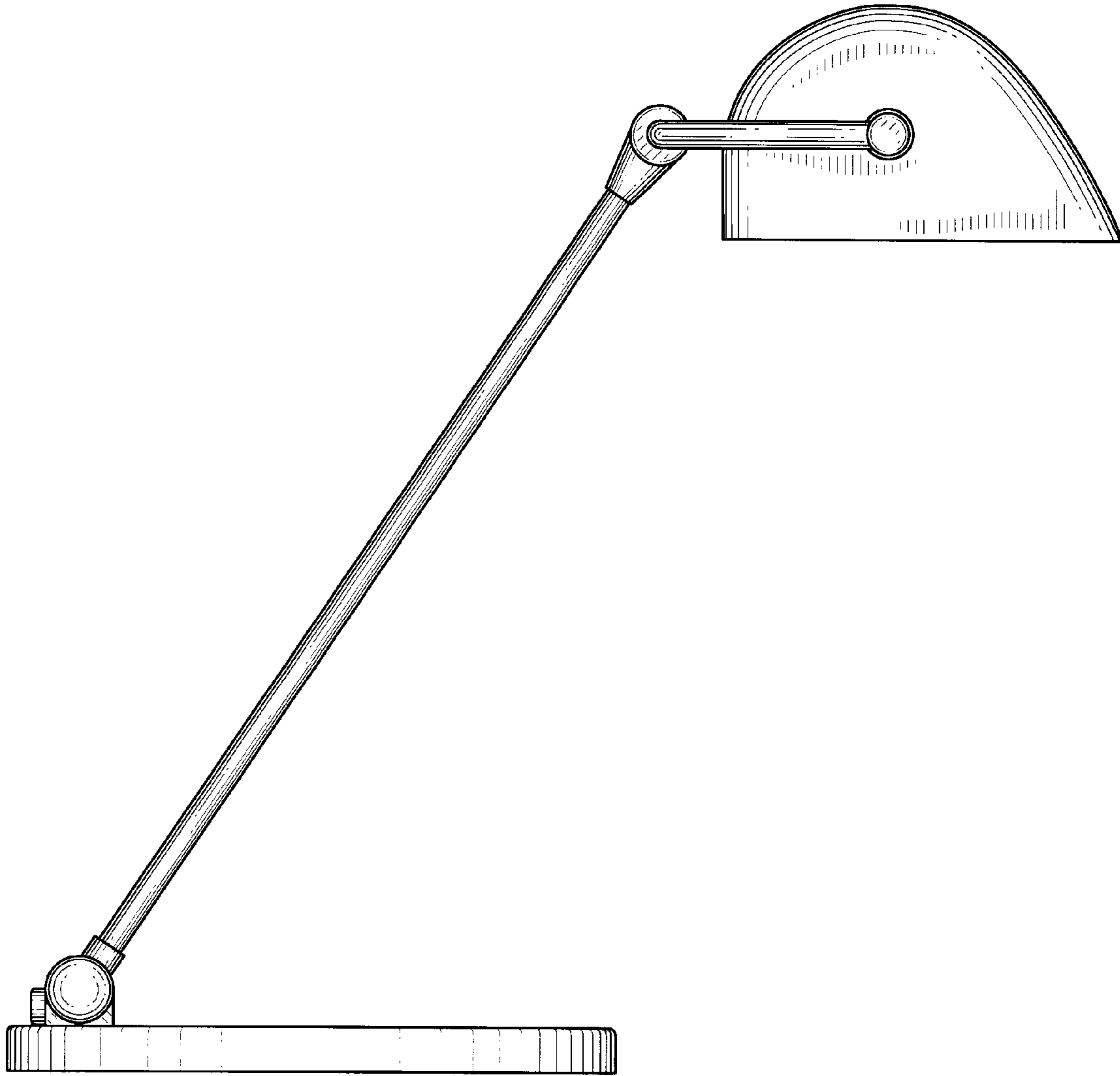


FIG. 8

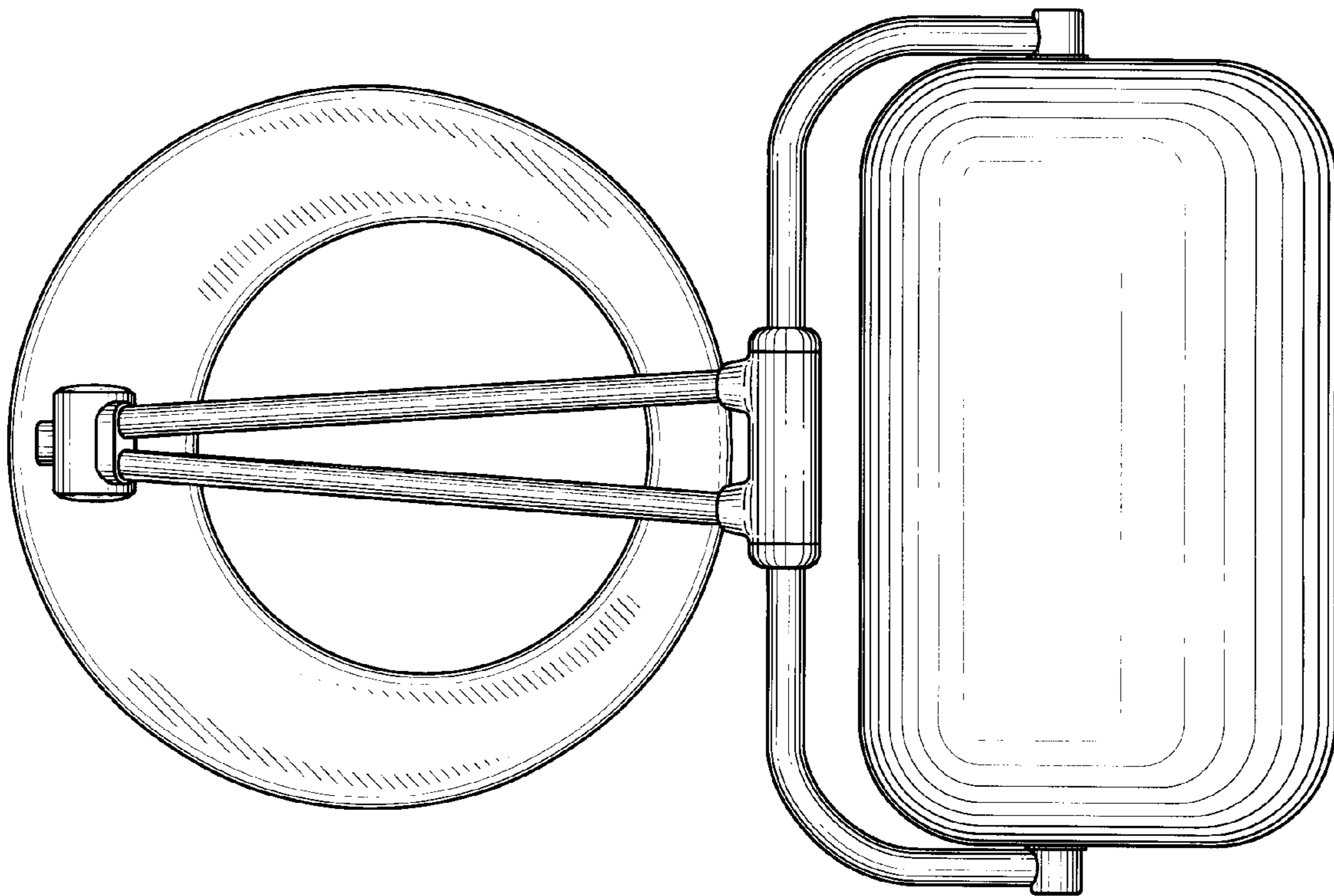


FIG. 9

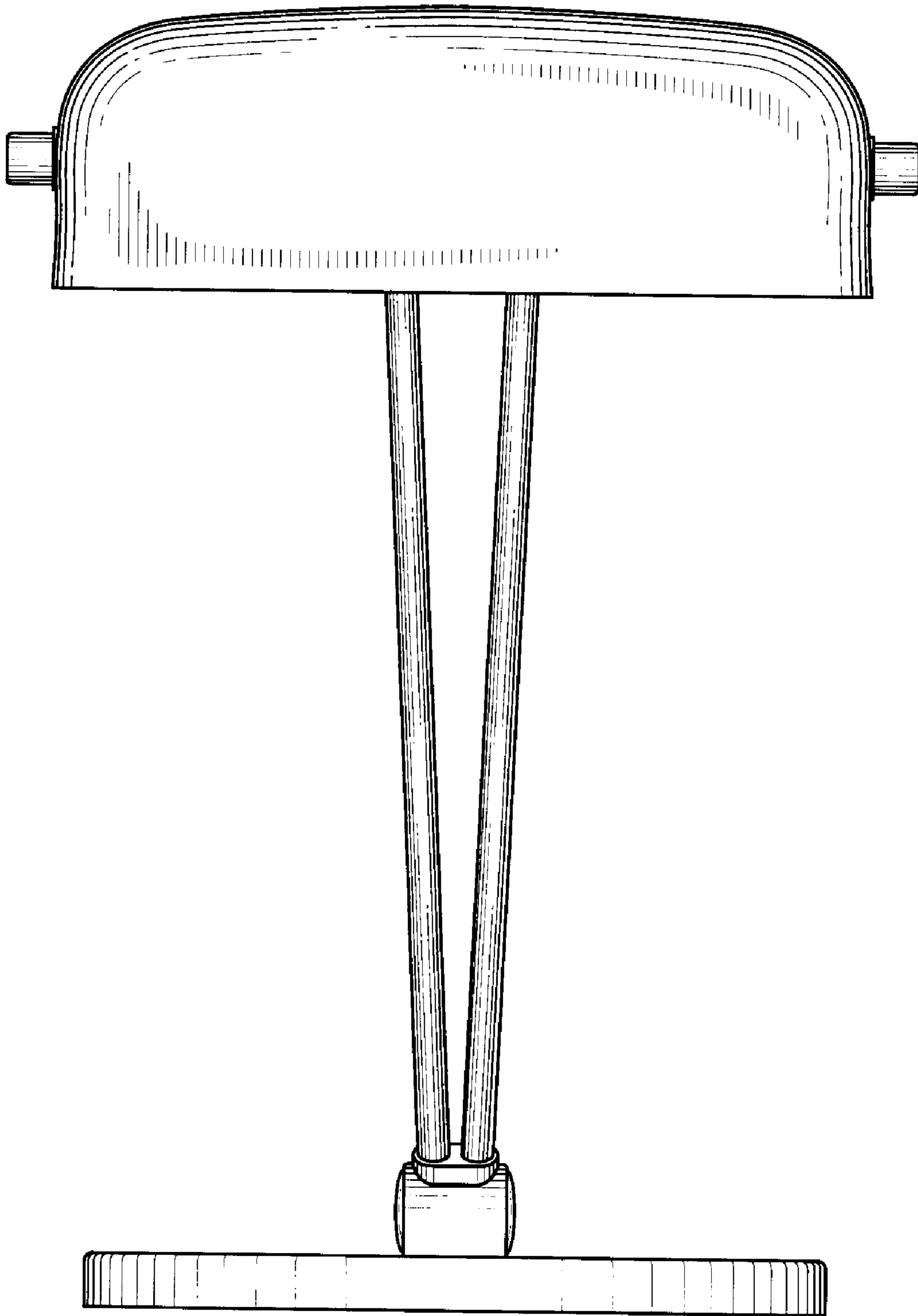


FIG. 10

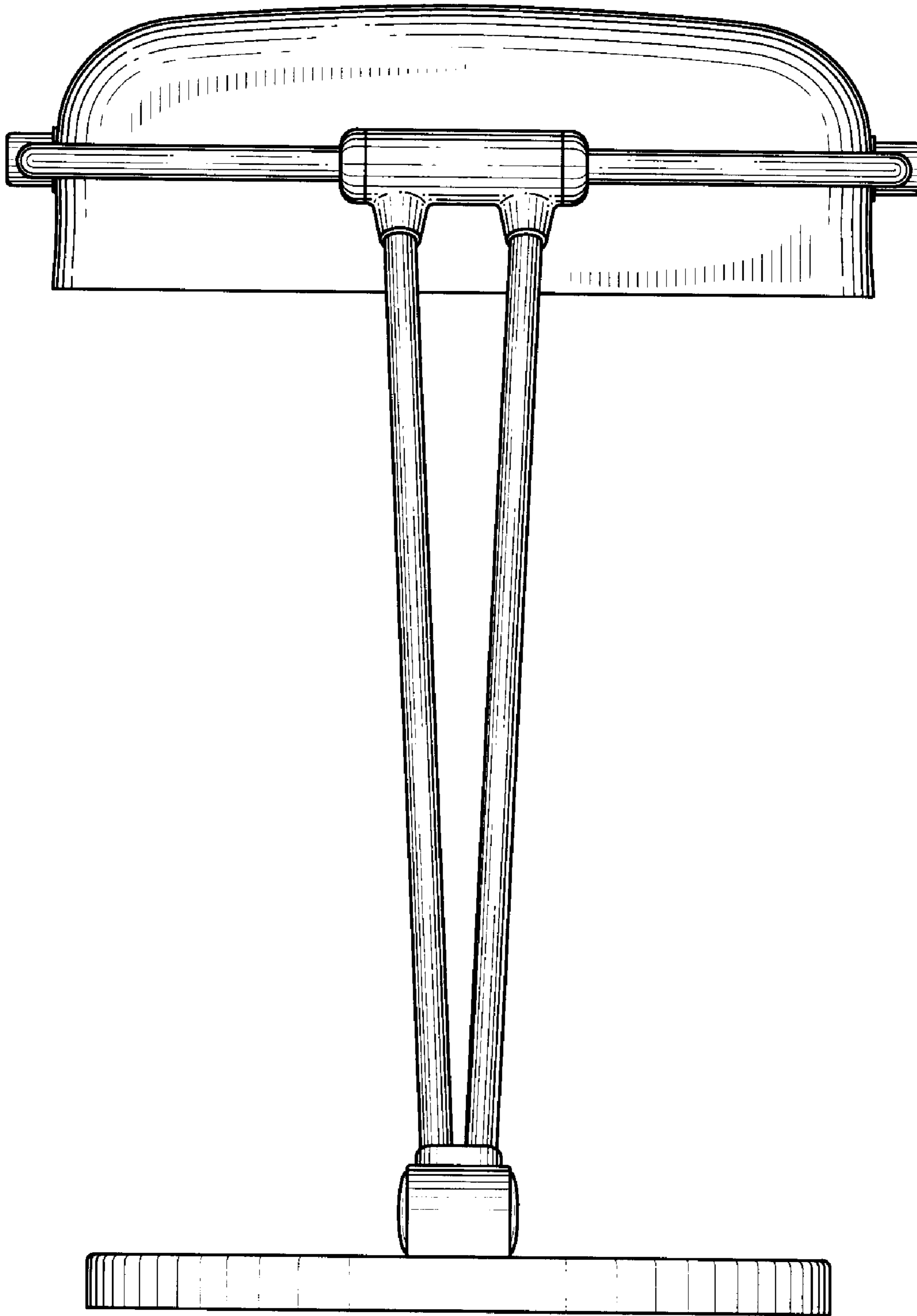


FIG. 11

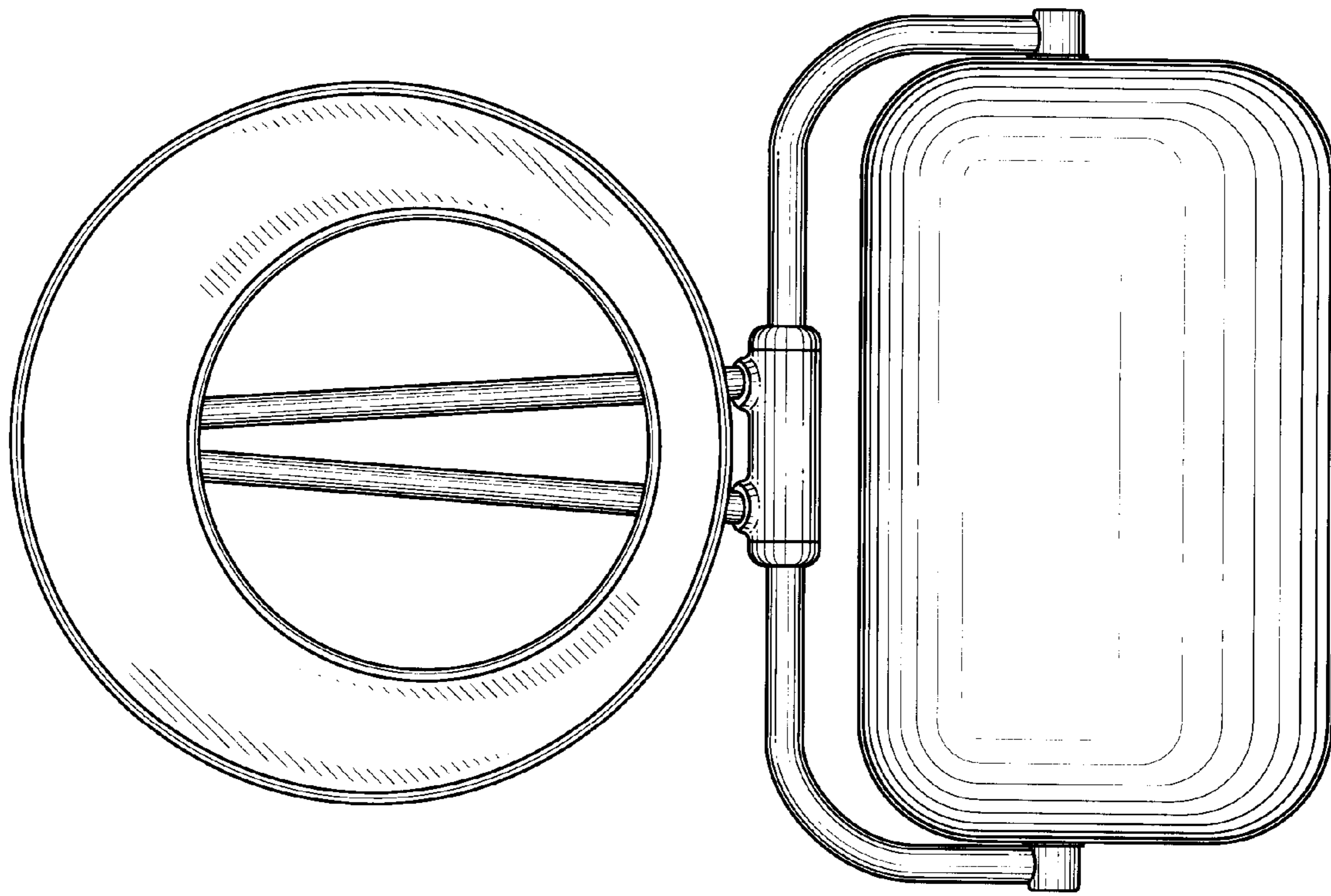


FIG. 12