

US00D522678S

(12) **United States Design Patent**
Wang

(10) **Patent No.:** **US D522,678 S**

(45) **Date of Patent:** **** Jun. 6, 2006**

(54) **FISHBOWL LIGHTING**

(75) Inventor: **Chiao-Ming Wang**, Taichung Hsien (TW)

(73) Assignee: **Meiko Pet Corporation**, Taichung Hsien (TW)

(**) Term: **14 Years**

(21) Appl. No.: **29/219,427**

(22) Filed: **Dec. 17, 2004**

(51) **LOC (8) Cl.** **26-05**

(52) **U.S. Cl.** **D26/60; D26/63**

(58) **Field of Classification Search** D26/60-65, D26/93, 118, 107, 43, 51, 56; 362/269, 277, 362/278, 282, 285, 287, 288, 410, 413, 418-430, 362/449, 581, 101, 273, 289, 396, 191
See application file for complete search history.

(56) **References Cited**

U.S. PATENT DOCUMENTS

D282,011 S * 12/1985 Fackert D26/62
D293,135 S * 12/1987 Medema et al. D26/61
5,067,059 A * 11/1991 Hwang 362/101

D322,681 S * 12/1991 Yuen D26/38
D350,620 S * 9/1994 Yuen D26/65
D353,218 S * 12/1994 Yuen D26/63
6,371,625 B1 * 4/2002 Campman 362/191
6,536,911 B1 * 3/2003 DiAngelo 362/191
2005/0007778 A1 * 1/2005 Lin 362/191

* cited by examiner

Primary Examiner—Clare E Heflin

(74) *Attorney, Agent, or Firm*—Troxell Law Office, PLLC

(57) **CLAIM**

The ornamental design for fishbowl lighting, as shown and described.

DESCRIPTION

FIG. 1 is a perspective view of fishbowl lighting showing my new design;

FIG. 2 is a front elevation view thereof;

FIG. 3 is a rear elevation view thereof;

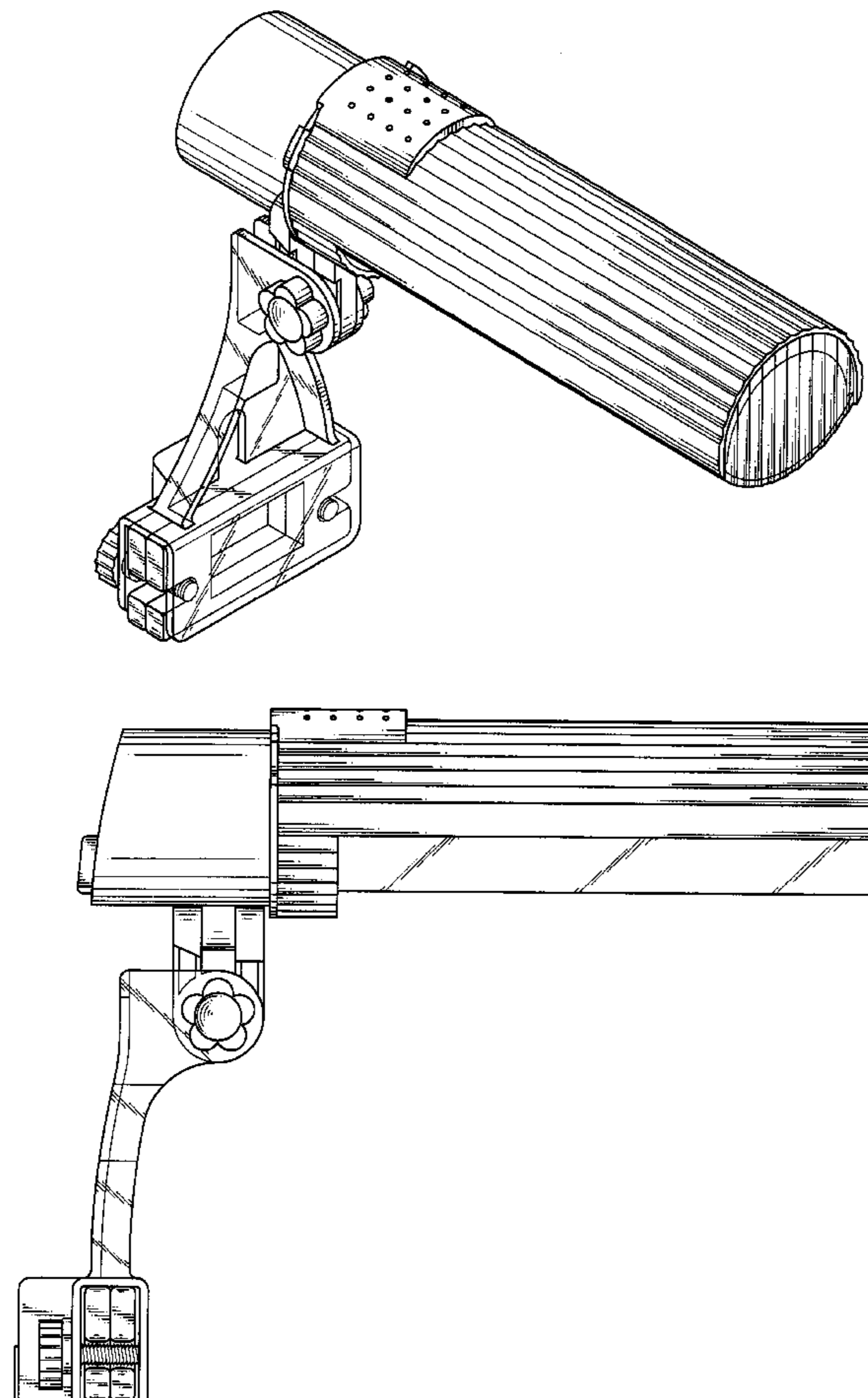
FIG. 4 is a left side elevation view thereof;

FIG. 5 is a right side elevation view thereof;

FIG. 6 is a top plan view thereof; and,

FIG. 7 is a bottom plan view thereof.

1 Claim, 5 Drawing Sheets



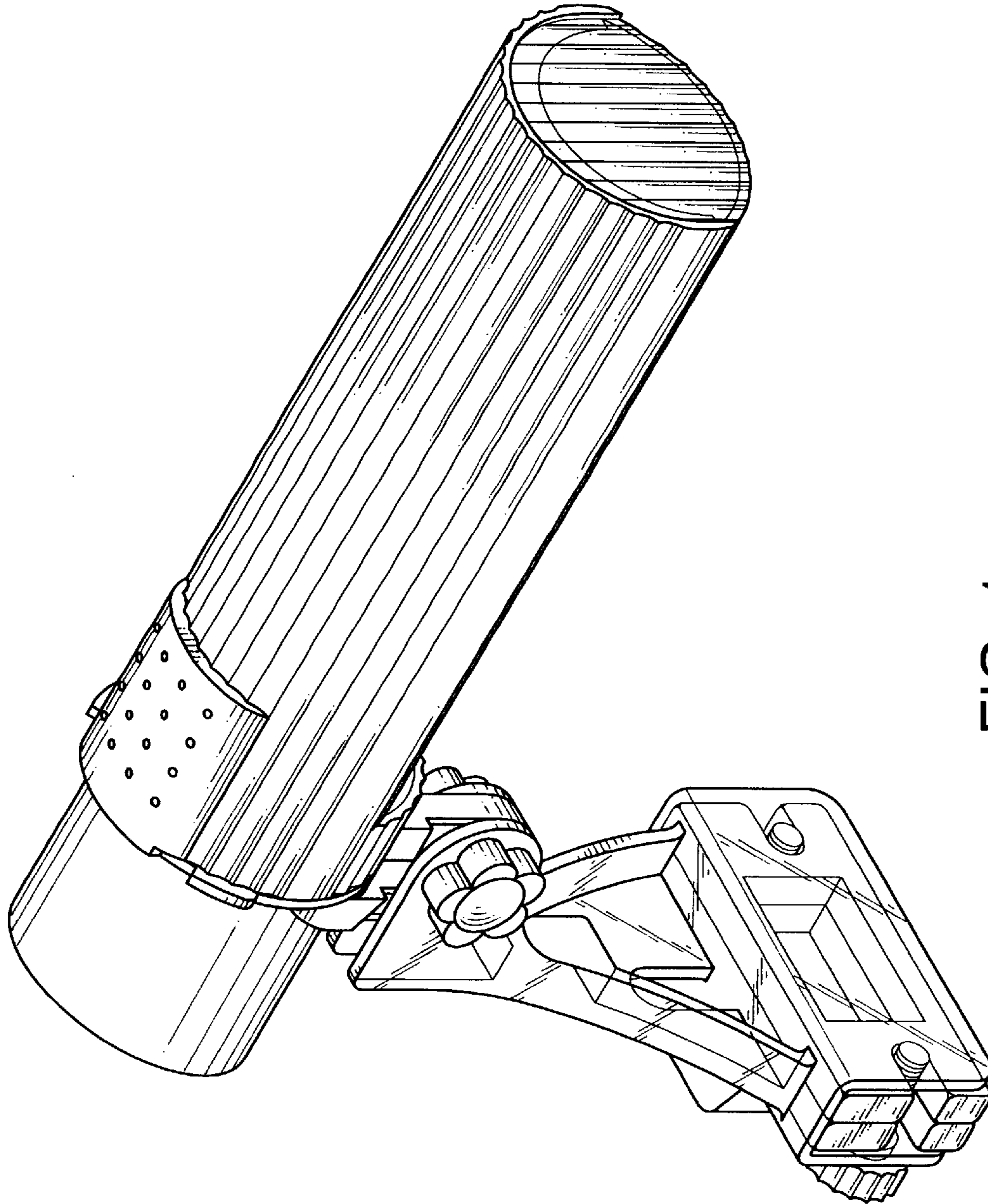


FIG. 1

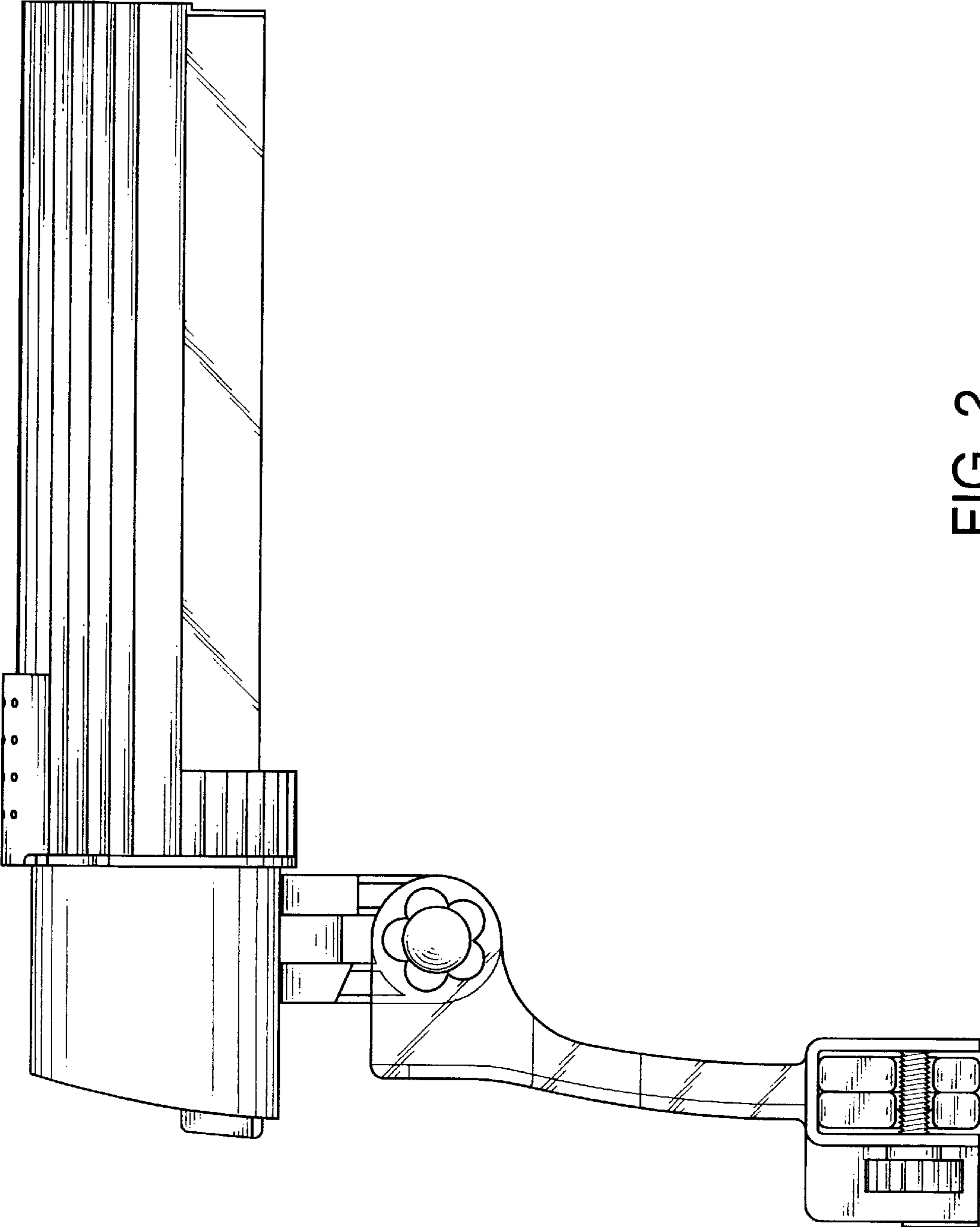


FIG. 2

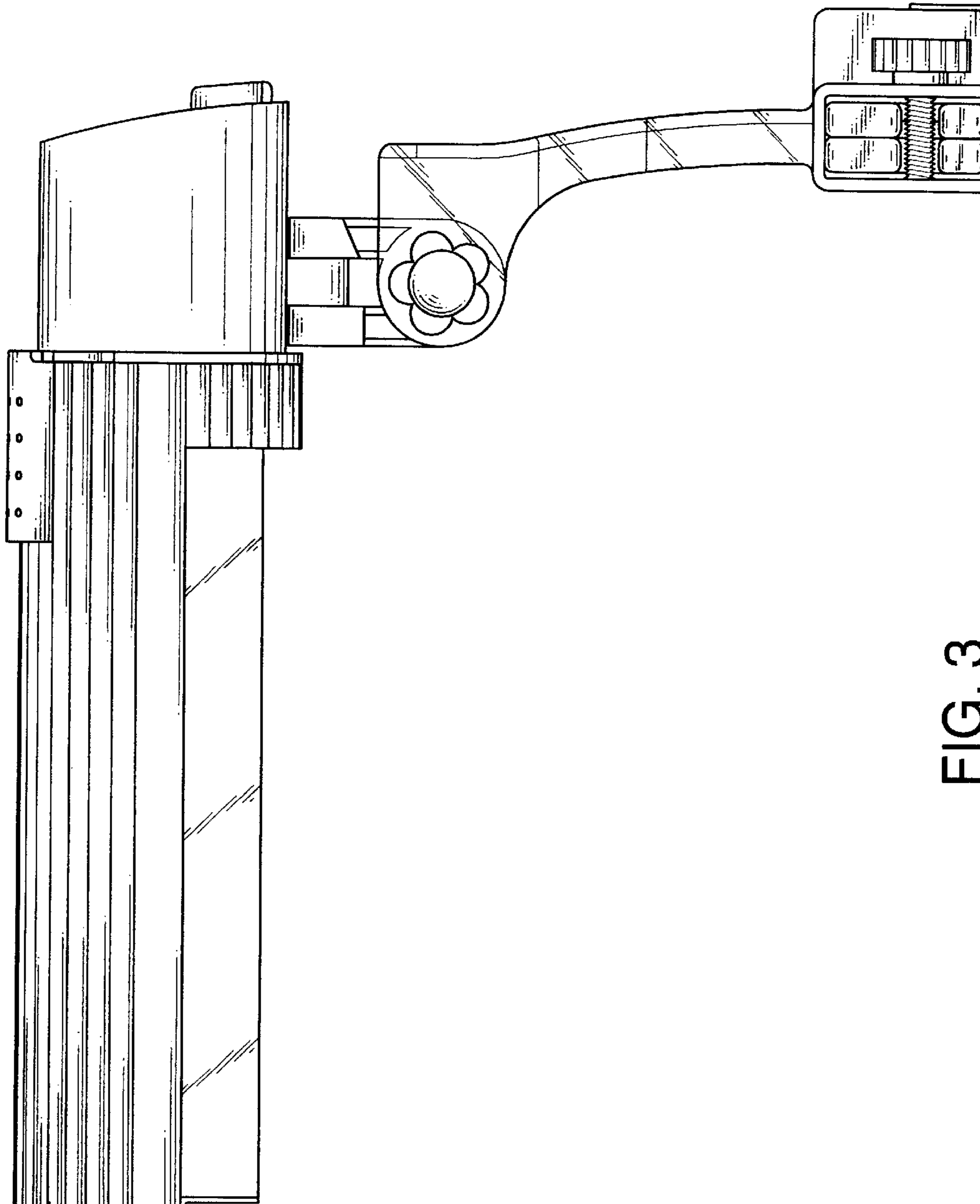


FIG. 3

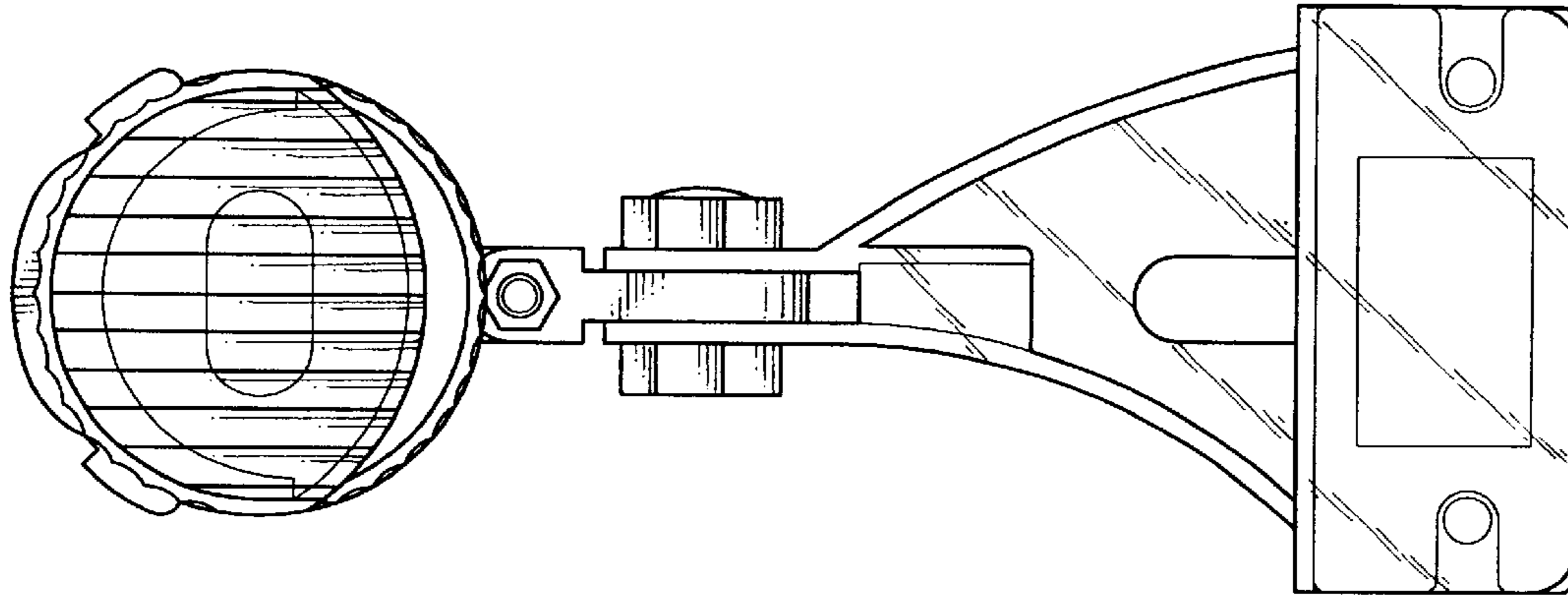


FIG. 5

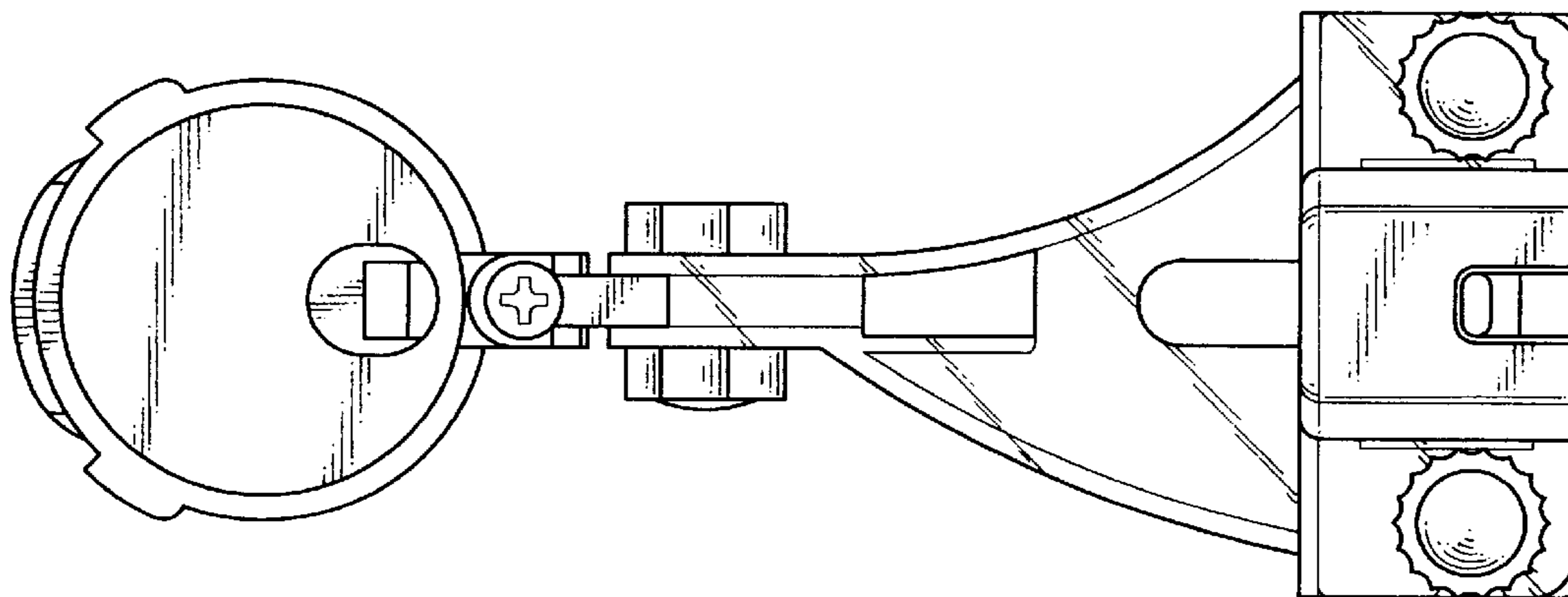


FIG. 4

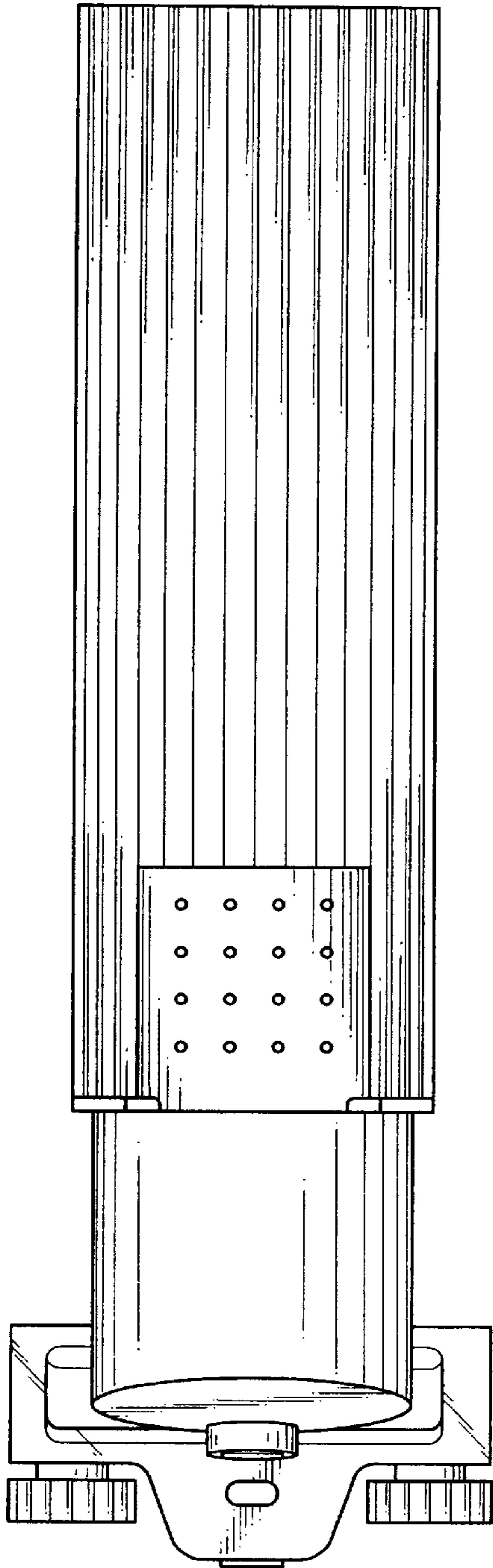


FIG. 6

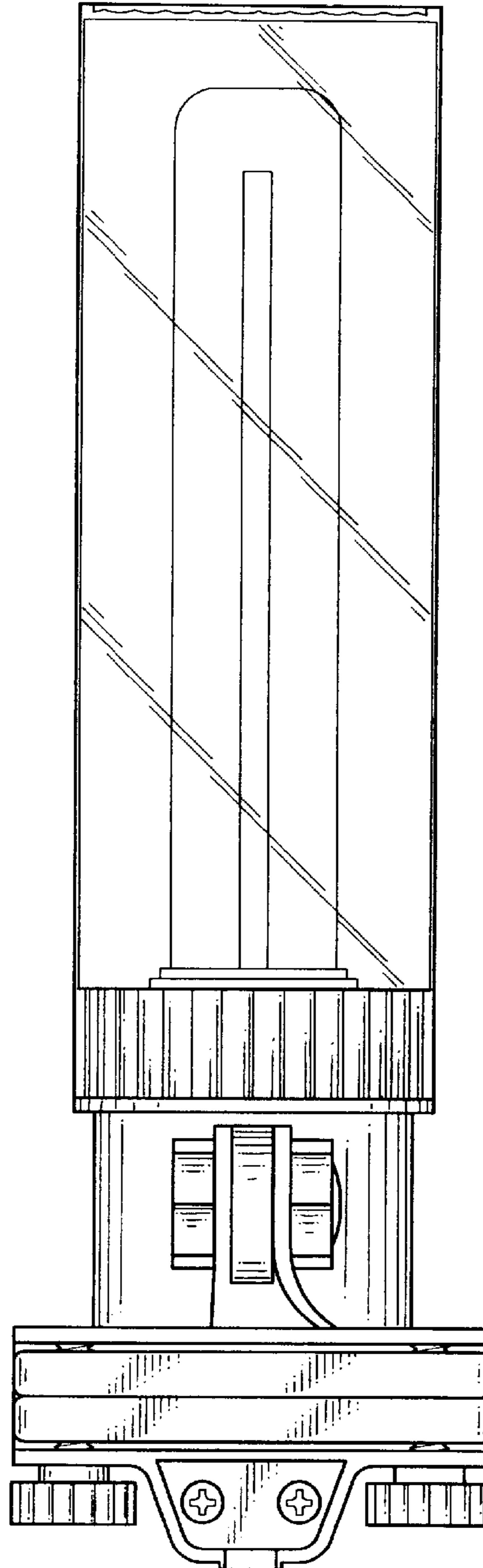


FIG. 7