



US00D522677S

(12) **United States Design Patent**
Ming

(10) **Patent No.:** **US D522,677 S**

(45) **Date of Patent:** **** Jun. 6, 2006**

(54) **MULTI PURPOSE PORTABLE COLD CATHODE FLUORESCENT LAMP**

(75) Inventor: **Hui Chi Ming**, Tsuen Wan (HK)

(73) Assignee: **Chi Bon Metal and Plastic Mfy. Limited**, New Territories (HK)

(**) Term: **14 Years**

(21) Appl. No.: **29/218,610**

(22) Filed: **Dec. 3, 2004**

(51) **LOC (8) Cl.** **26-05**

(52) **U.S. Cl.** **D26/60; D26/62**

(58) **Field of Classification Search** D26/60-65,
D26/93, 118, 107, 43, 51, 56; 362/269, 277,
362/278, 282, 285, 287, 288, 410, 413, 418-430,
362/449

See application file for complete search history.

(56) **References Cited**

U.S. PATENT DOCUMENTS

D271,526 S	*	11/1983	Zeller	D26/60
D282,011 S	*	12/1985	Fackert	D26/62
D283,056 S	*	3/1986	Ansems	D26/61
D283,360 S	*	4/1986	Ansems	D26/60

5,604,814 A	*	2/1997	Chen et al.	381/361
D385,052 S	*	10/1997	Huang	D26/60
D386,272 S	*	11/1997	Brown	D26/62
D423,130 S	*	4/2000	Kung	D26/60
D427,703 S	*	7/2000	Chan	D26/60

* cited by examiner

Primary Examiner—Clare E Heflin

(74) *Attorney, Agent, or Firm*—Law Office of Sergio Orel, Esq. LLC

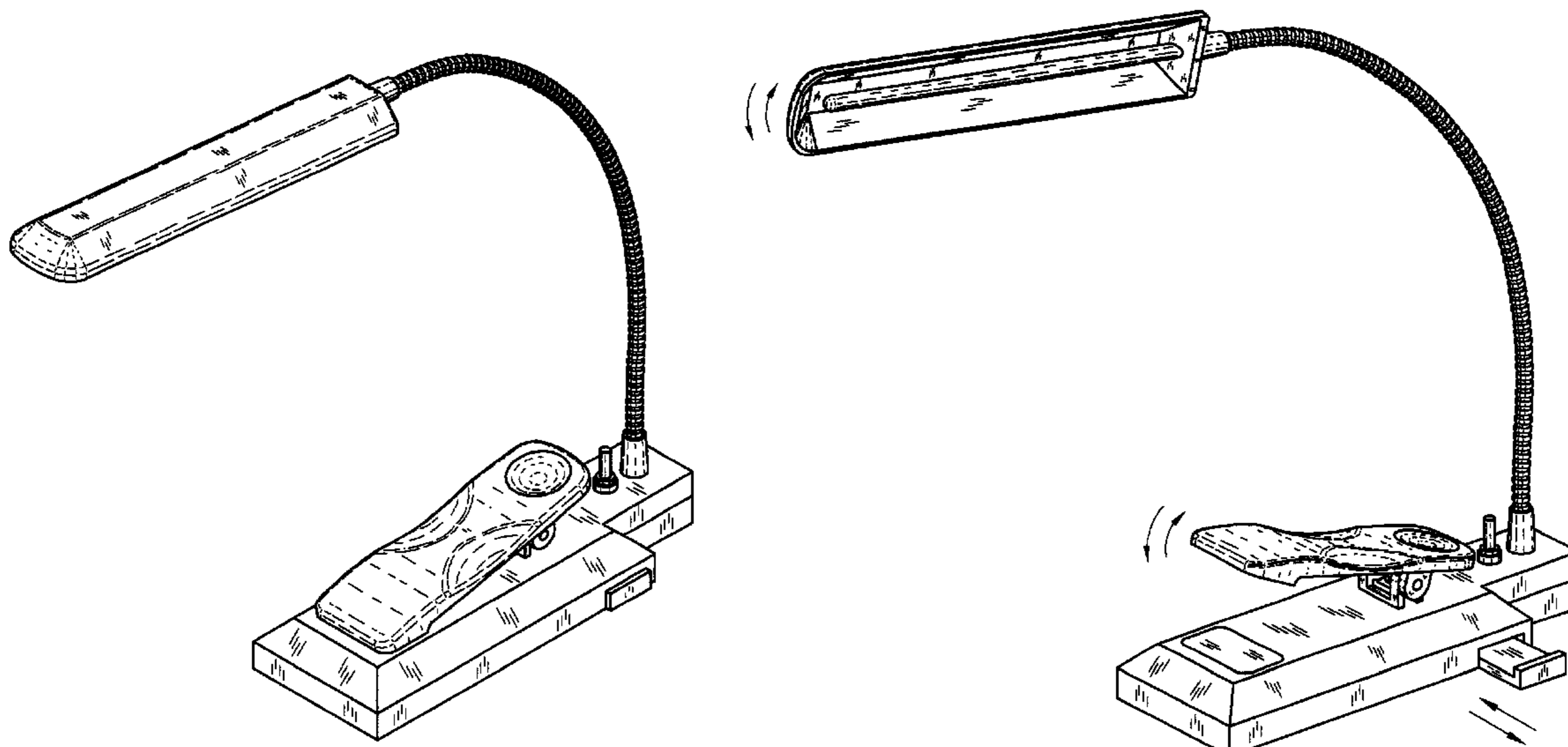
(57) **CLAIM**

The ornamental design for a multi purpose portable cold cathode fluorescent lamp, as shown and described.

DESCRIPTION

FIG. 1 is a front view of the multi purpose portable cold cathode fluorescent lamp showing my new design; FIG. 2 is a rear view thereof; FIG. 3 is a top view thereof; FIG. 4 is a bottom view thereof; FIG. 5 is a left side view thereof; FIG. 6 is a right side view thereof; FIG. 7 is a perspective view thereof; and, FIG. 8 is a perspective view thereof with various parts shown in an alternate position.

1 Claim, 6 Drawing Sheets



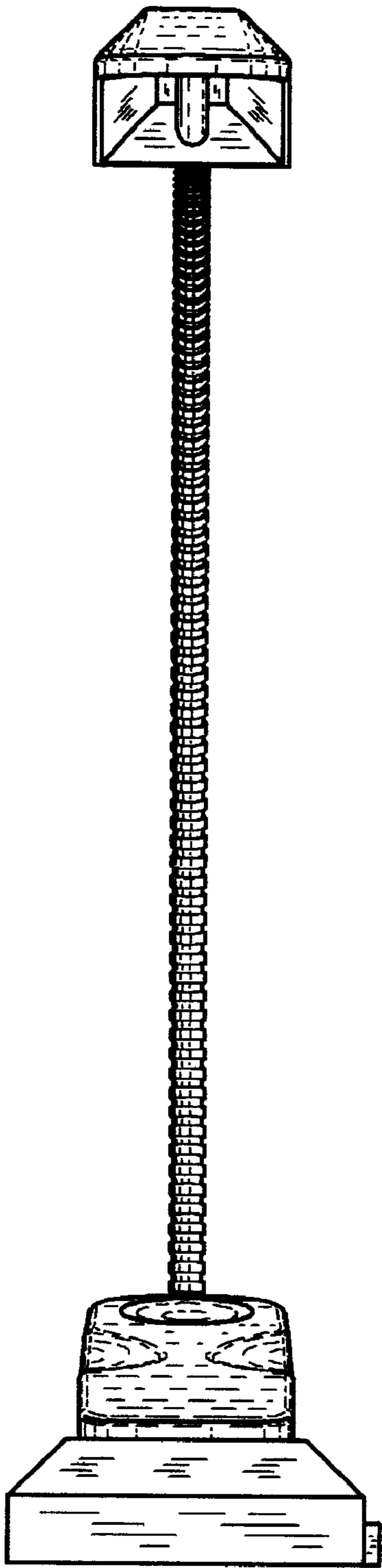


Fig.1

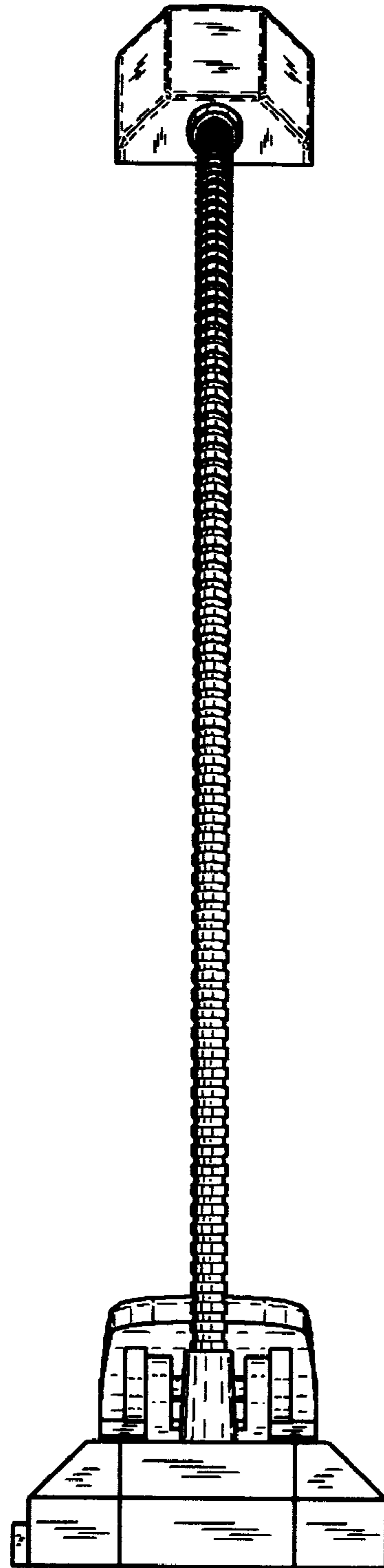


Fig.2

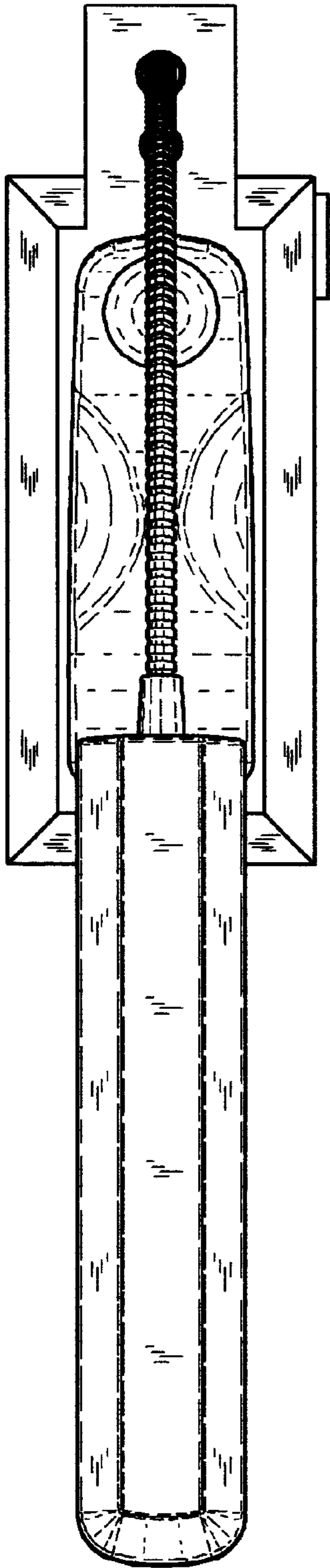


Fig.3

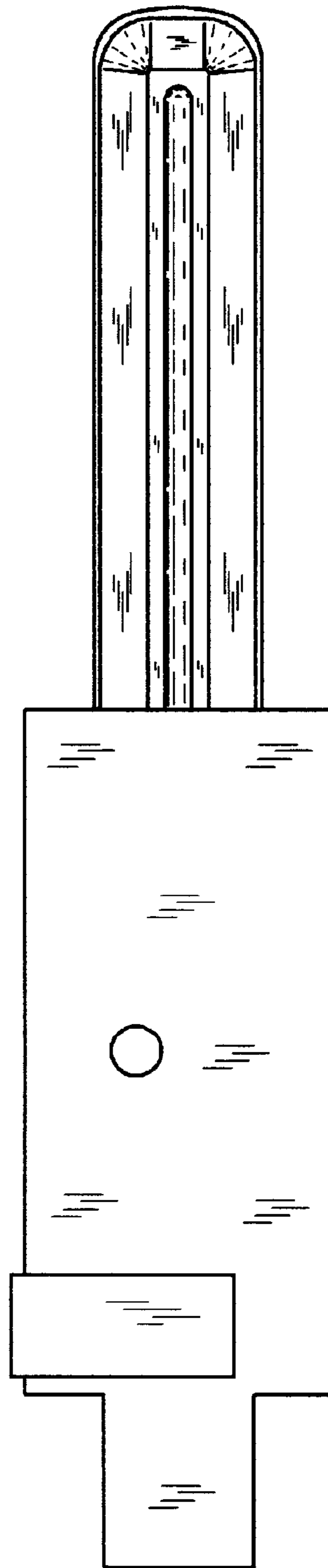


Fig.4

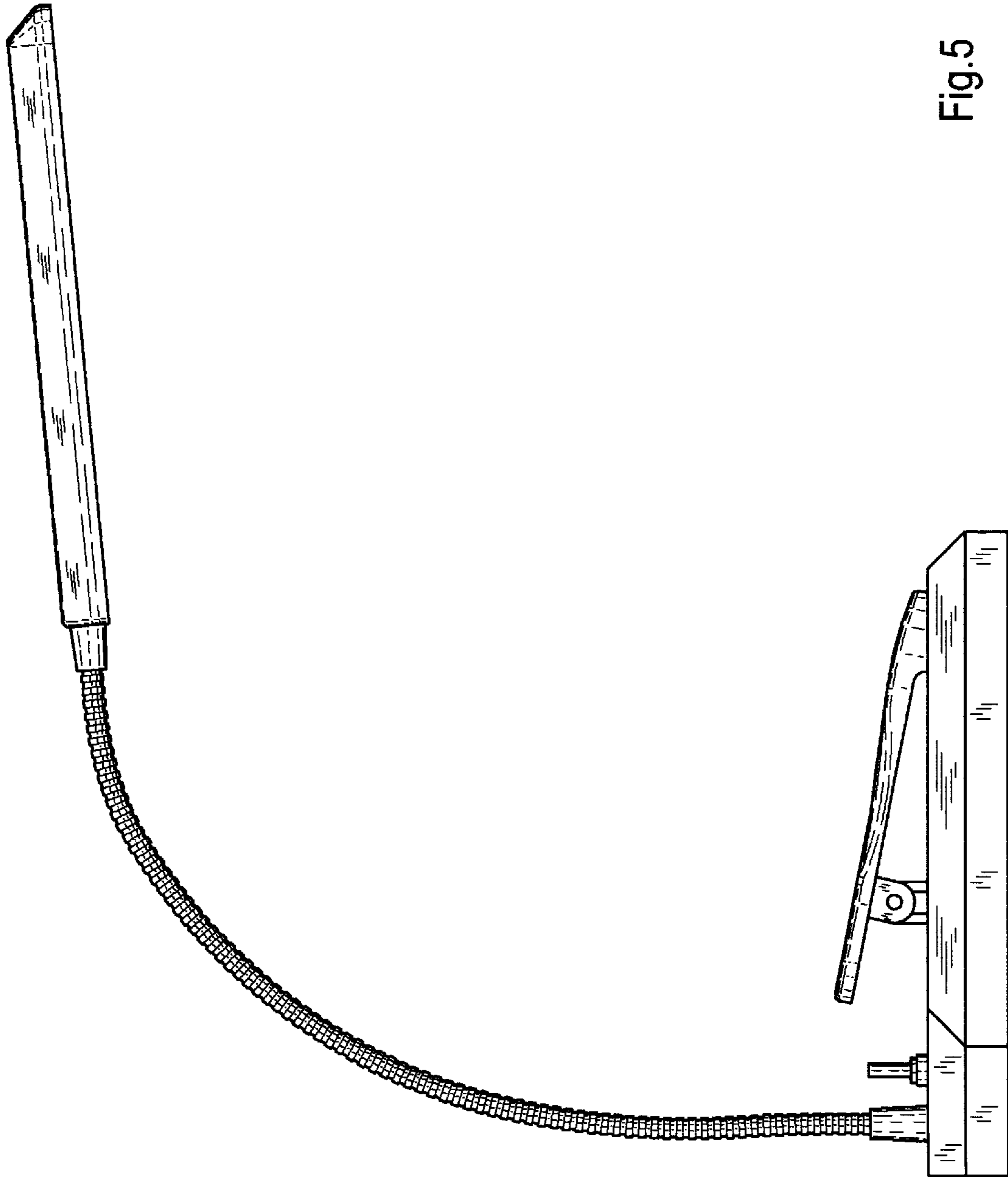


Fig.5

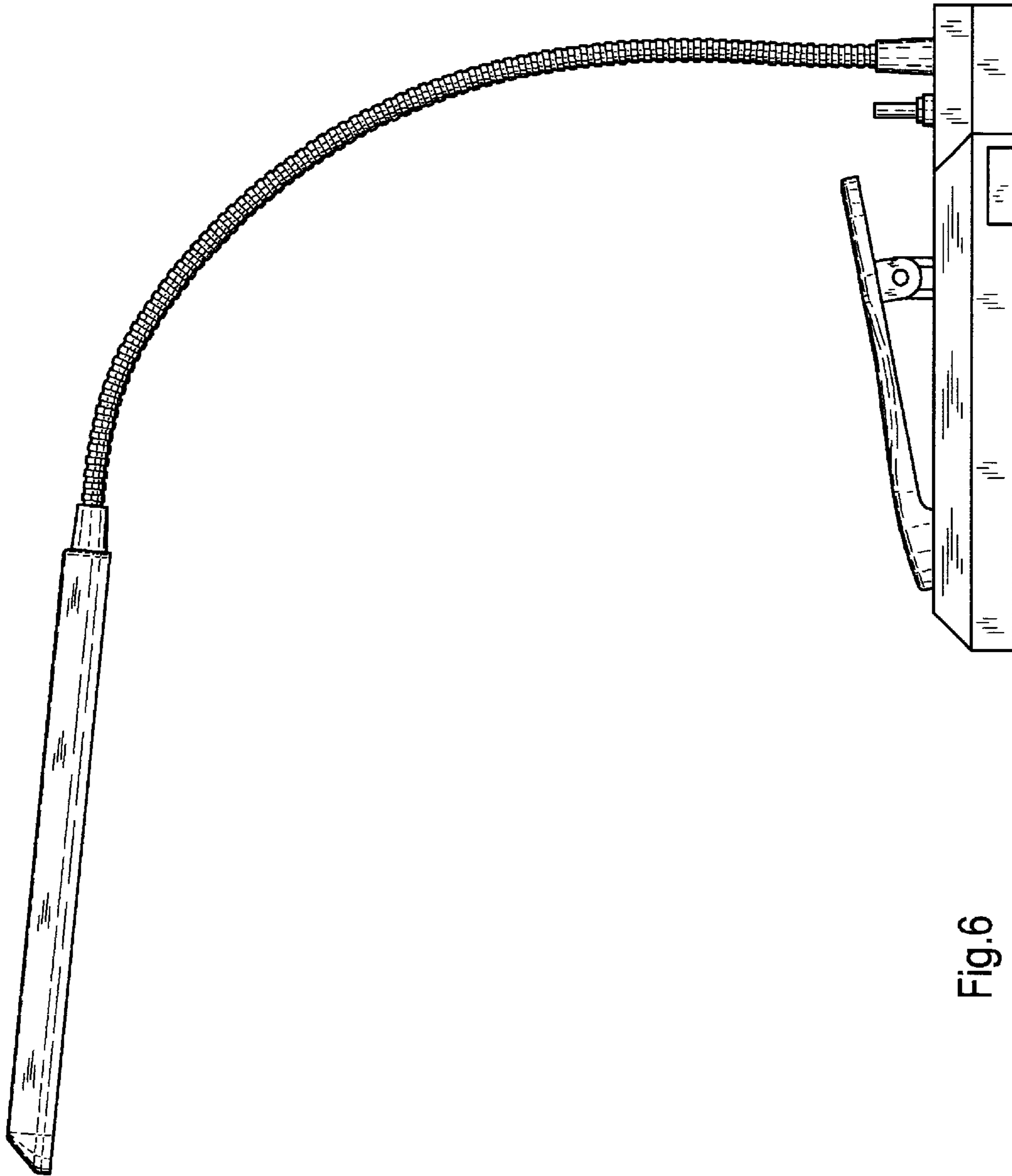


Fig.6

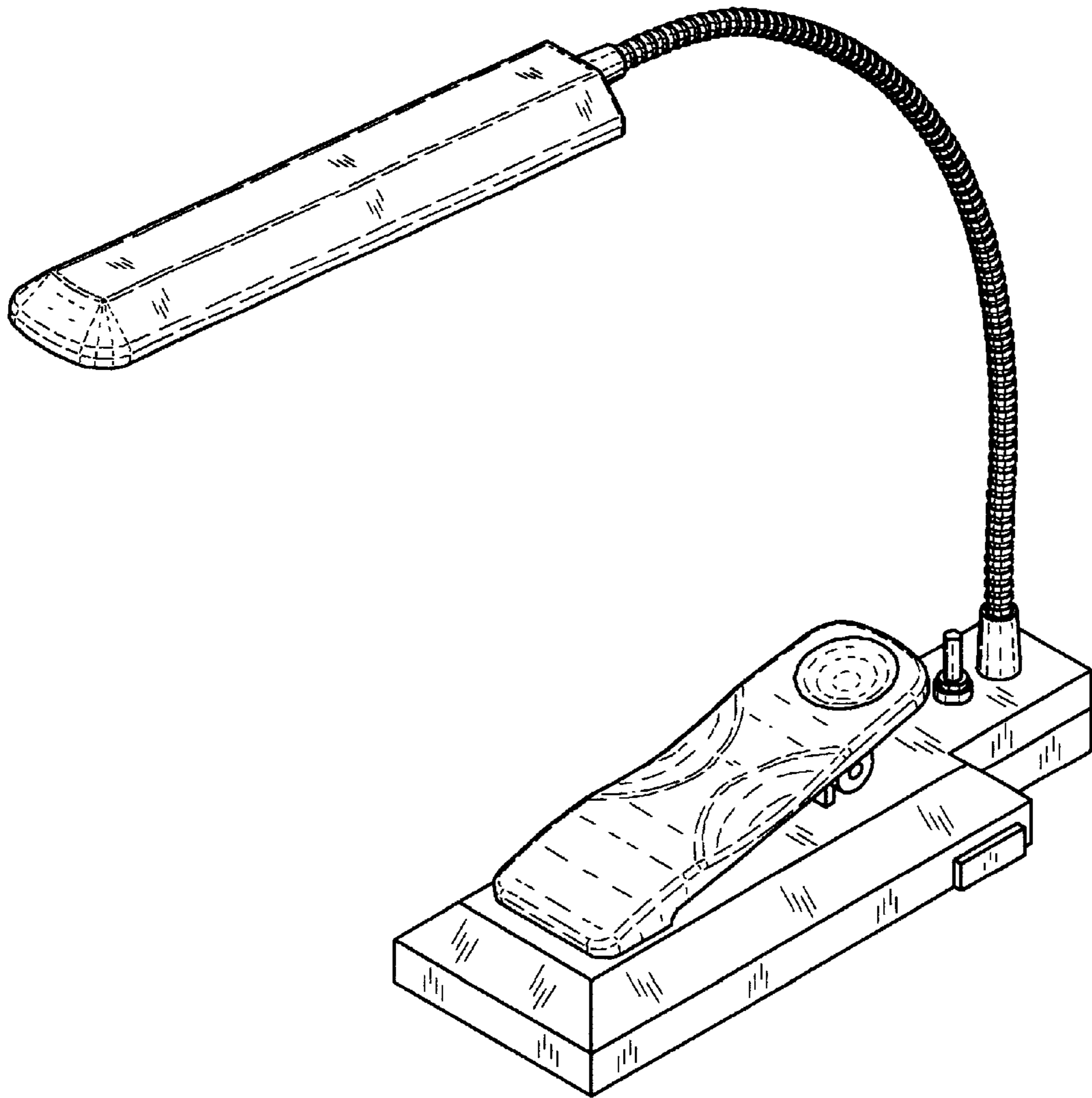


Fig.7

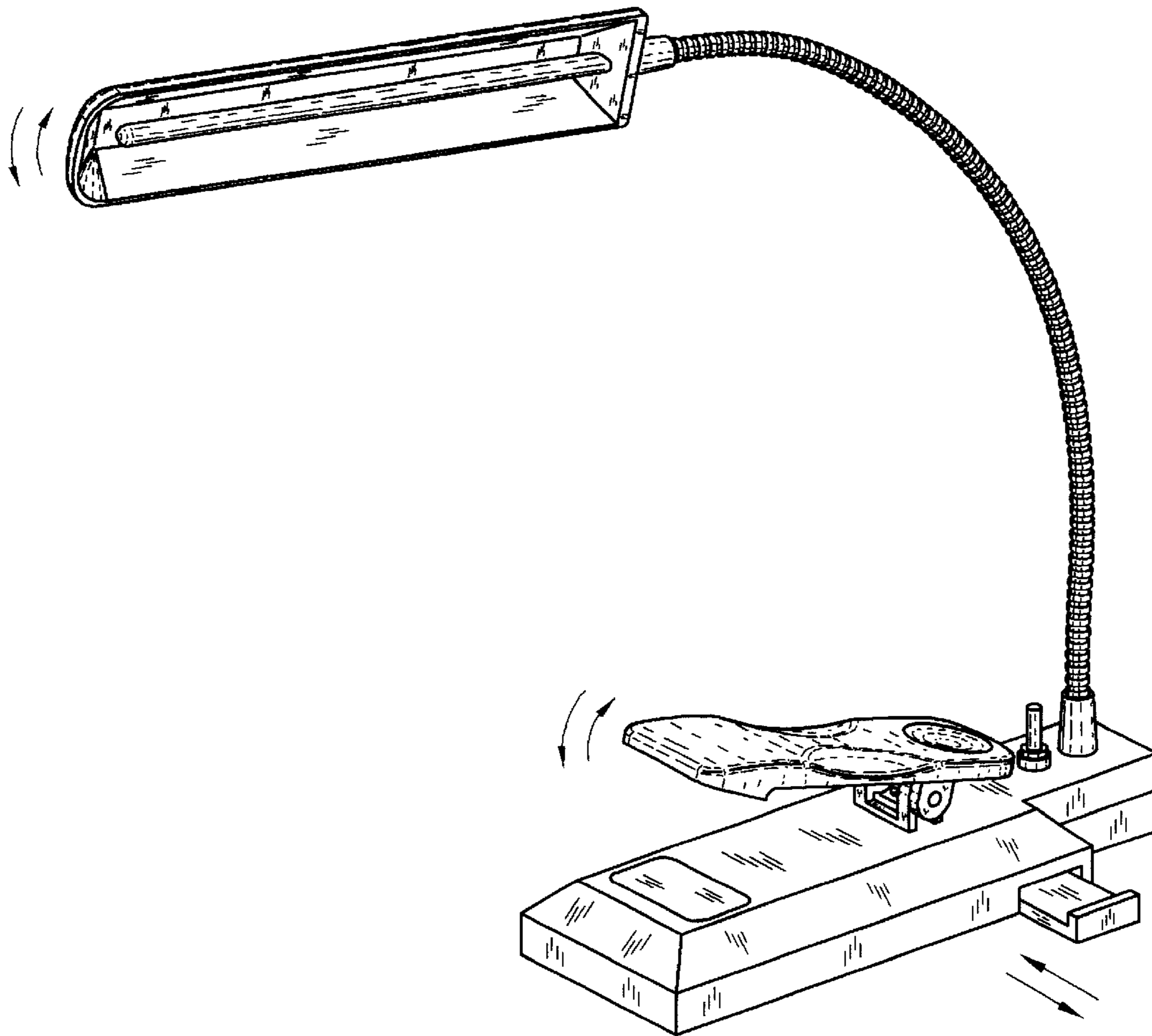


Fig.8