



US00D522675S

(12) **United States Design Patent**  
**Krieger et al.**

(10) **Patent No.:** **US D522,675 S**

(45) **Date of Patent:** **\*\* Jun. 6, 2006**

(54) **TWIN BEAM SPOTLIGHT**

(75) Inventors: **Michael Krieger**, Miami Beach, FL  
(US); **Kevin Ellsworth**, Hollywood, FL  
(US)

(73) Assignee: **Vector Products, Inc.**, Ft. Lauderdale,  
FL (US)

(\*\*) Term: **14 Years**

(21) Appl. No.: **29/227,652**

(22) Filed: **Apr. 14, 2005**

(51) **LOC (8) Cl.** ..... **26-02**

(52) **U.S. Cl.** ..... **D26/45**

(58) **Field of Classification Search** ..... D26/37-50;  
362/157, 158, 171-174, 183-208  
See application file for complete search history.

(56) **References Cited**

U.S. PATENT DOCUMENTS

D432,692 S \* 10/2000 Krieger ..... D26/45  
D490,552 S \* 5/2004 Krieger et al. .... D26/45  
D508,578 S \* 8/2005 Shen ..... D26/45

OTHER PUBLICATIONS

U.S. Appl. No. 29/227,651 filed Apr. 14, 2005.  
U.S. Appl. No. 29/228,573 filed Apr. 26, 2005.  
U.S. Appl. No. 29/222,173 filed Jan. 27, 2005.  
U.S. Appl. No. 29/225,056 filed Mar. 11, 2005.  
U.S. Appl. No. 29/222,176 filed Jan. 27, 2005.

\* cited by examiner

*Primary Examiner*—Marcus A. Jackson

(74) *Attorney, Agent, or Firm*—Venable LLP; Robert  
Kinberg; Manni Li

(57) **CLAIM**

The ornamental design for a twin beam spotlight, as shown  
and described.

**DESCRIPTION**

FIG. 1 is a perspective view from the front-top-left side of  
the twin beam spotlight showing a first embodiment of our  
new design;

FIG. 2 is a front view of the design shown in FIG. 1;

FIG. 3 is a rear view of the design shown in FIG. 1;

FIG. 4 is a left side view of the design shown in FIG. 1;

FIG. 5 is a right side view of the design shown in FIG. 1;

FIG. 6 is a top view of the design shown in FIG. 1;

FIG. 7 is a bottom view of the design shown in FIG. 1;

FIG. 8 is a perspective view from the front-top-left side of  
the twin beam spotlight showing a second embodiment of  
our new design;

FIG. 9 is a front view of the design shown in FIG. 8;

FIG. 10 is a rear view of the design shown in FIG. 8;

FIG. 11 is a left side view of the design shown in FIG. 8;

FIG. 12 is a right side view of the design shown in FIG. 8;

FIG. 13 is a top view of the design shown in FIG. 8;

FIG. 14 is a bottom view of the design shown in FIG. 8;

FIG. 15 is a perspective view from the front-top-left side of  
the twin beam spotlight showing a third embodiment of our  
new design;

FIG. 16 is a front view of the design shown in FIG. 15;

FIG. 17 is a rear view of the design shown in FIG. 15;

FIG. 18 is a left side view of the design shown in FIG. 15;

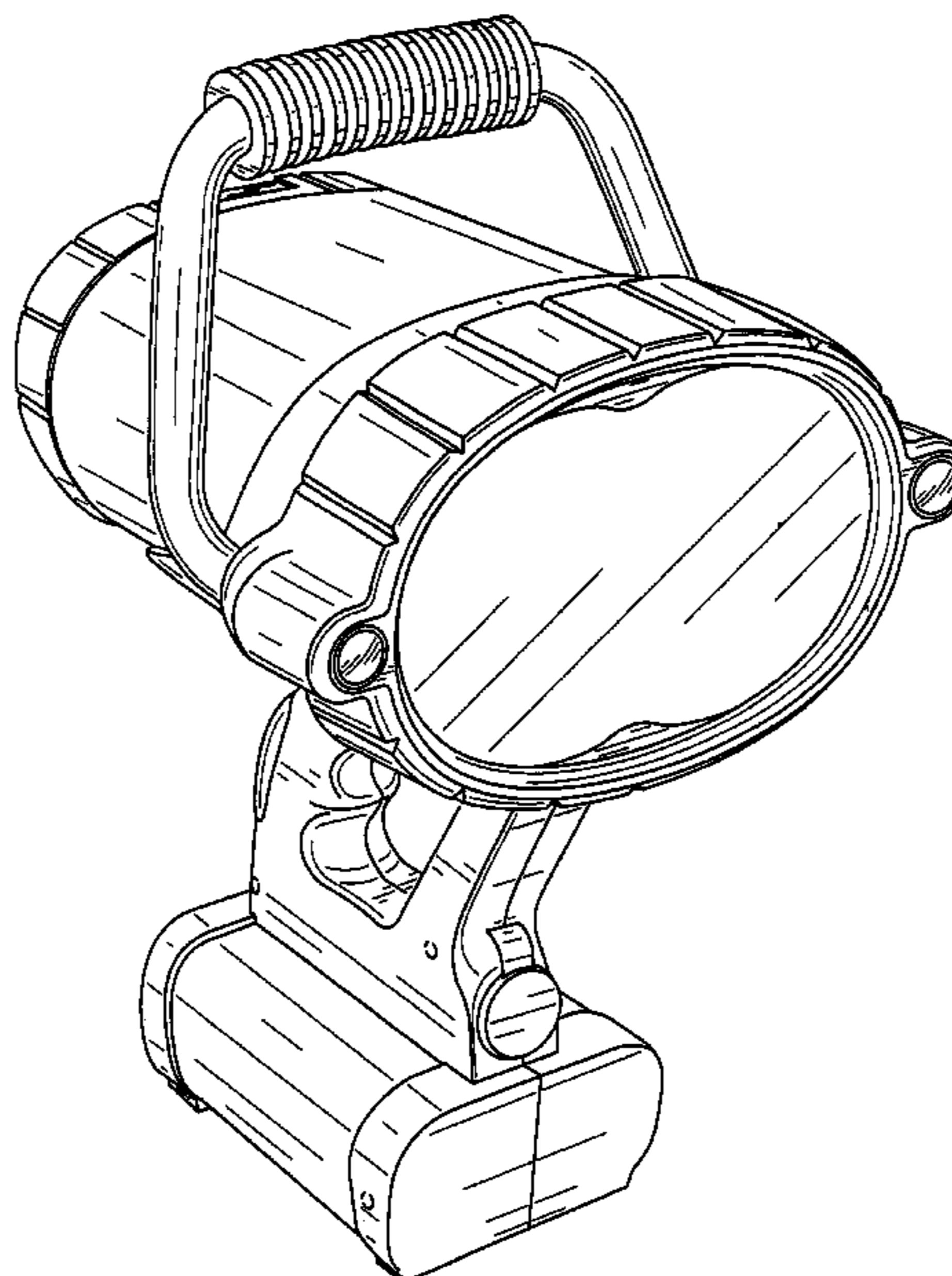
FIG. 19 is a right side view of the design shown in FIG. 15;

FIG. 20 is a top view of the design shown in FIG. 15; and,

FIG. 21 is a bottom view of the design shown in FIG. 15.

The broken lines immediately adjacent the shaded areas  
represent the bounds of the claimed design while all other  
broken lines are for illustrative purposes only; the broken  
lines form no part of the claimed design.

**1 Claim, 21 Drawing Sheets**



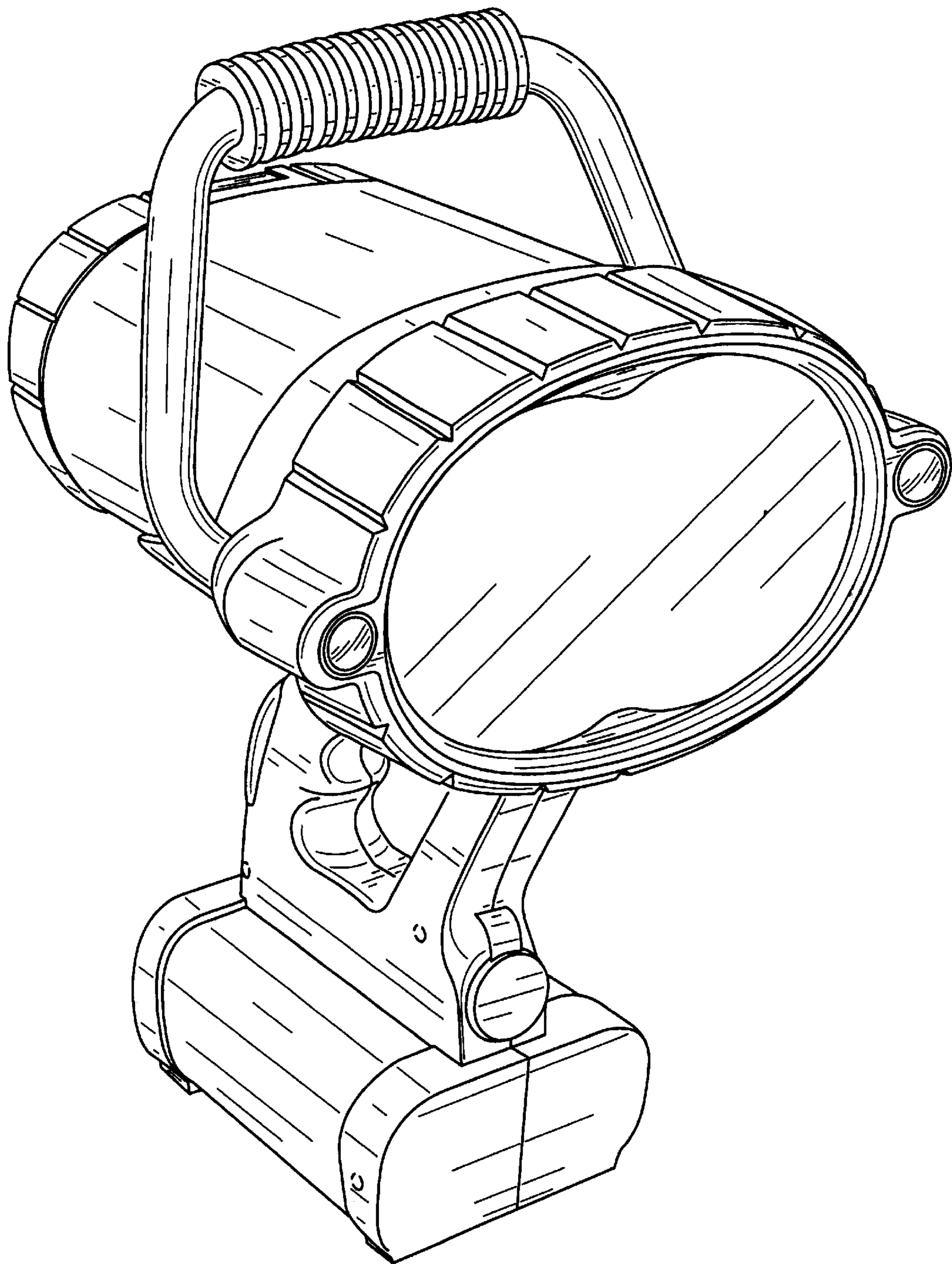


FIG. 1

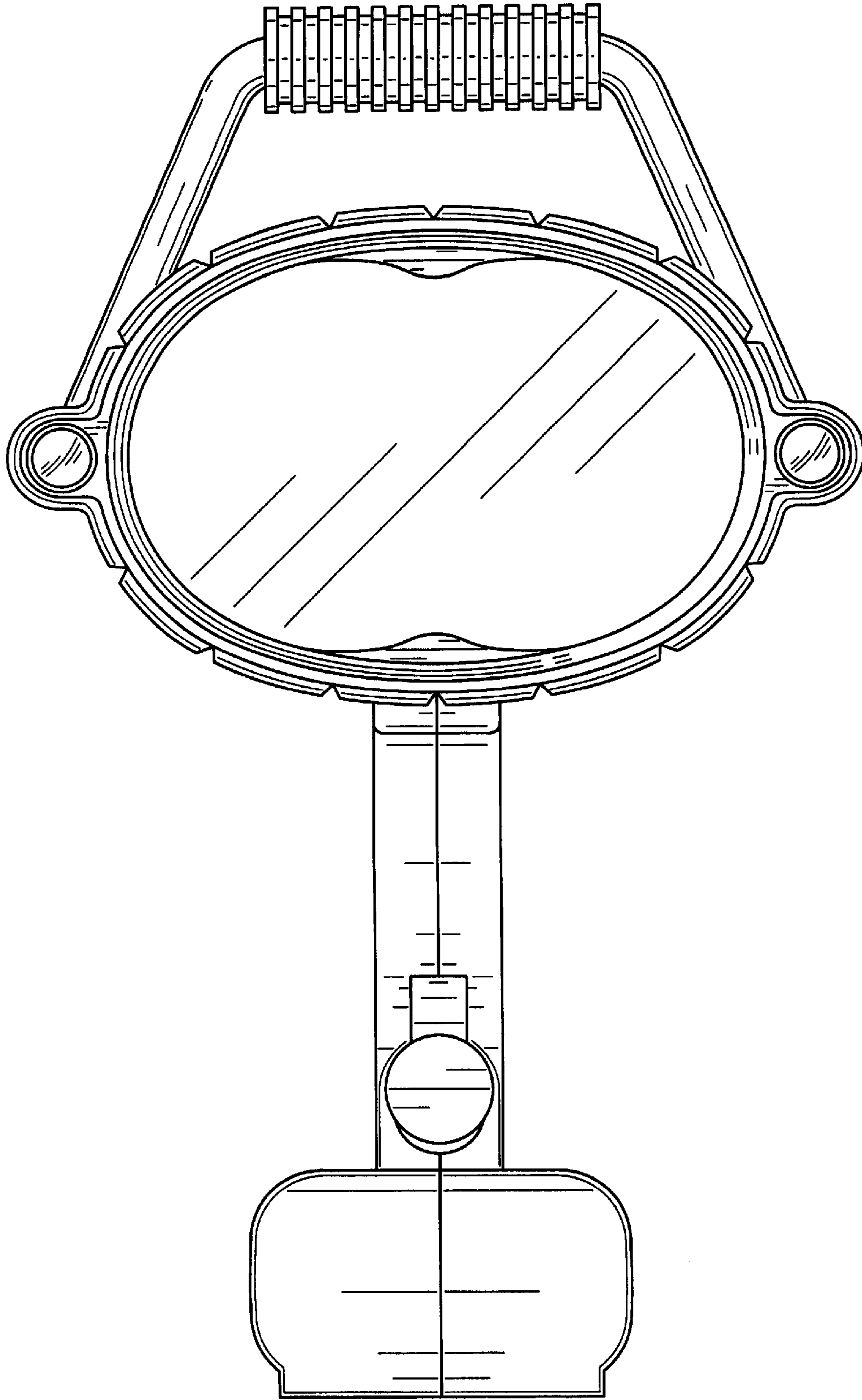


FIG. 2



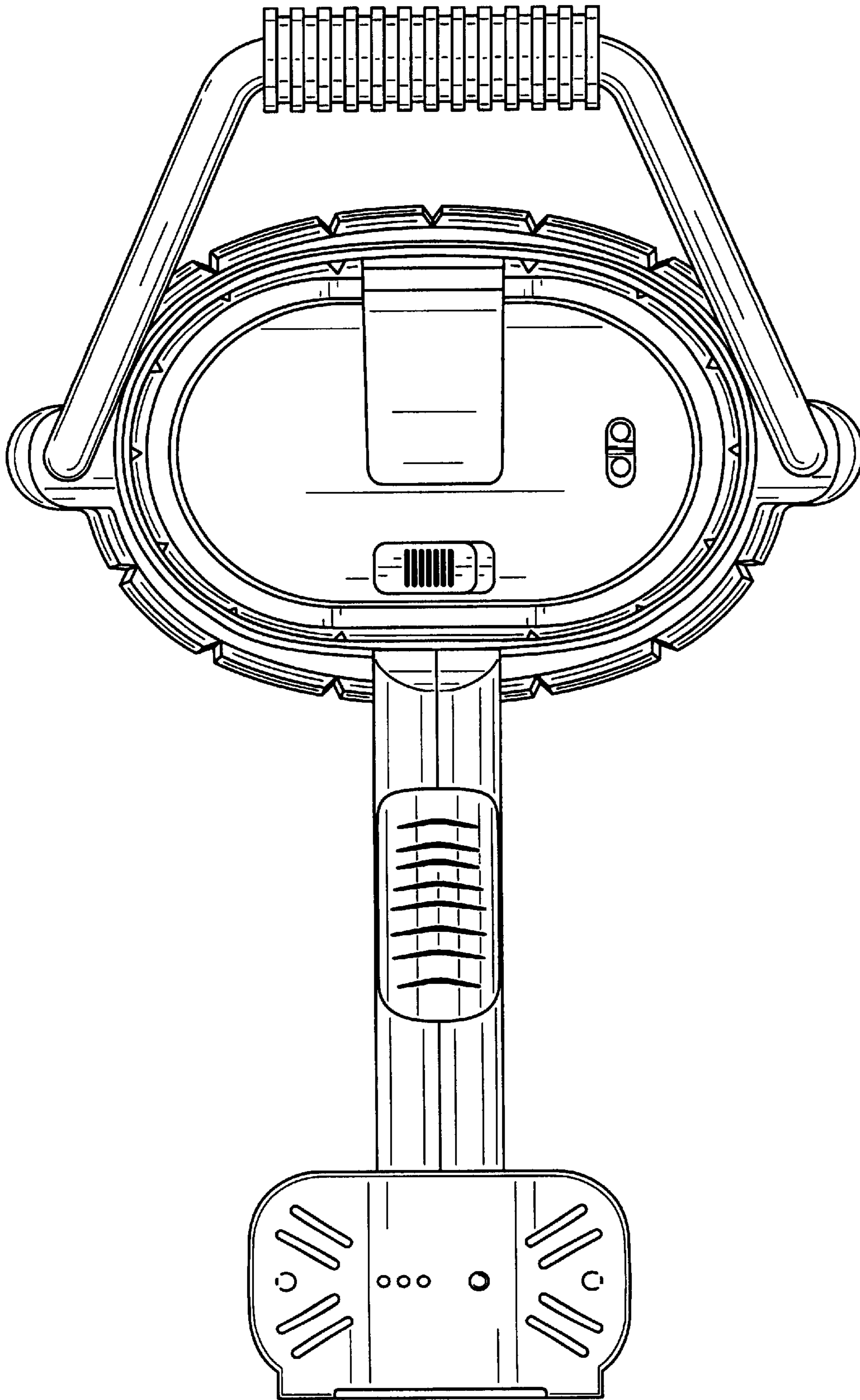


FIG. 3

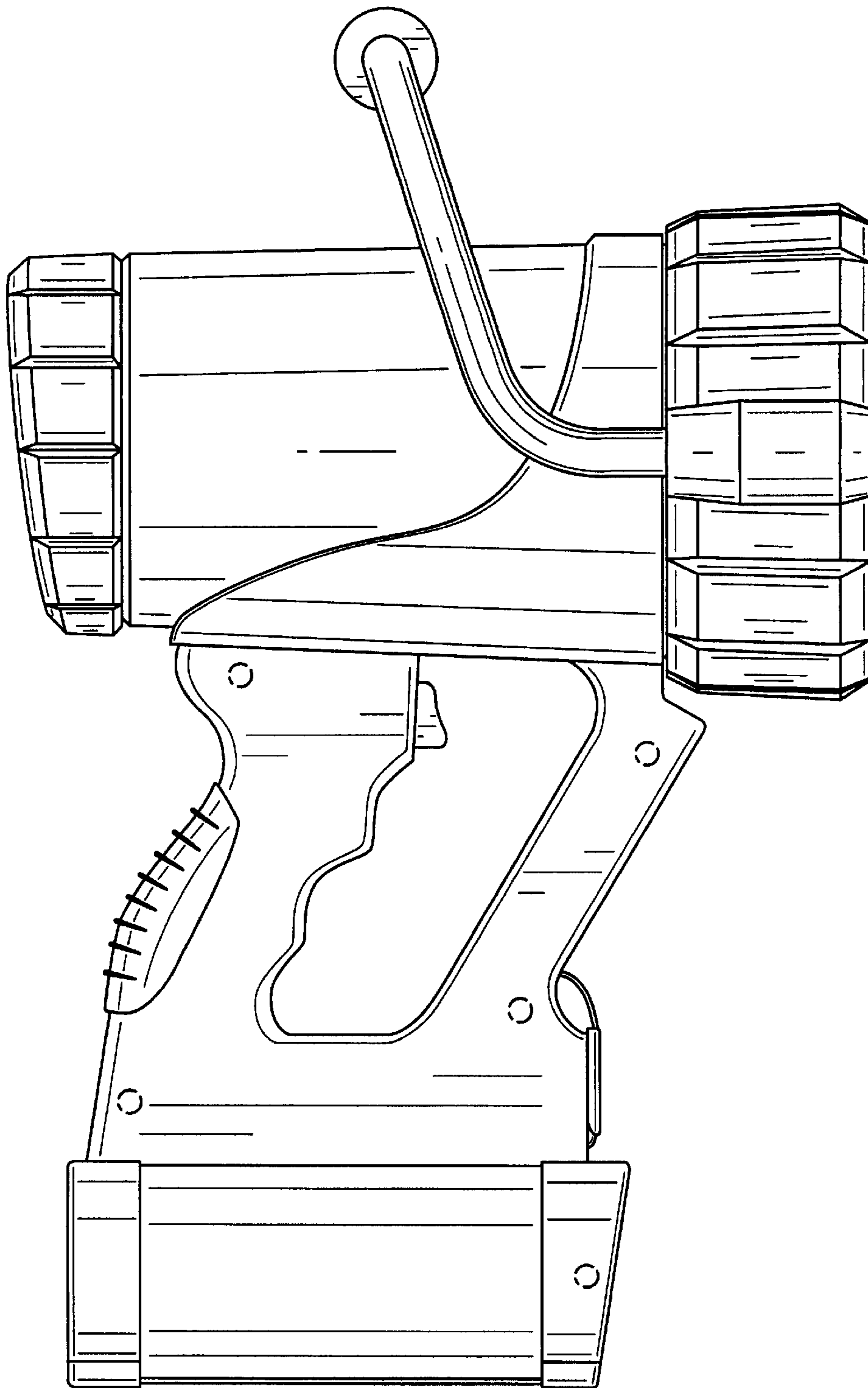


FIG. 4

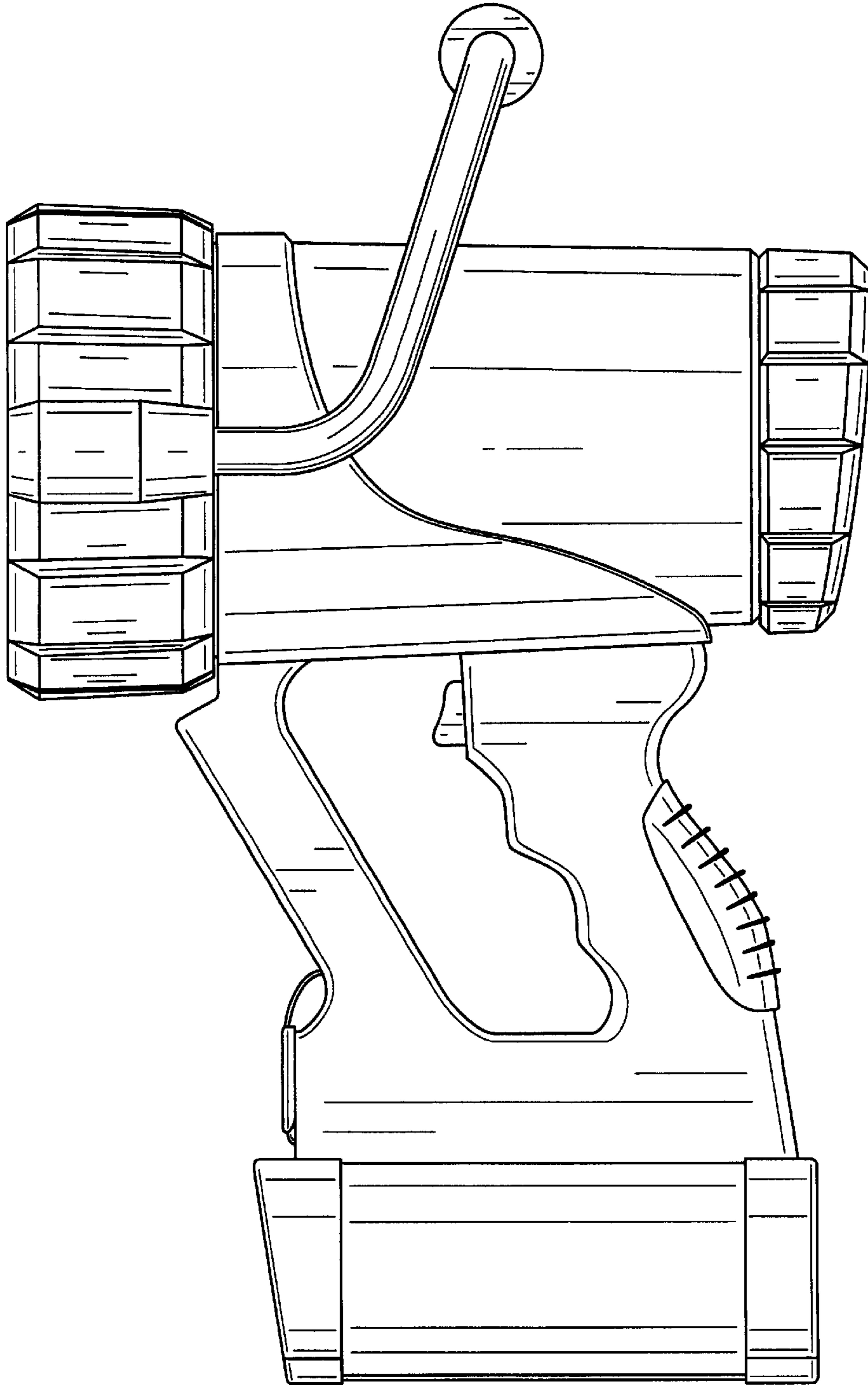


FIG. 5

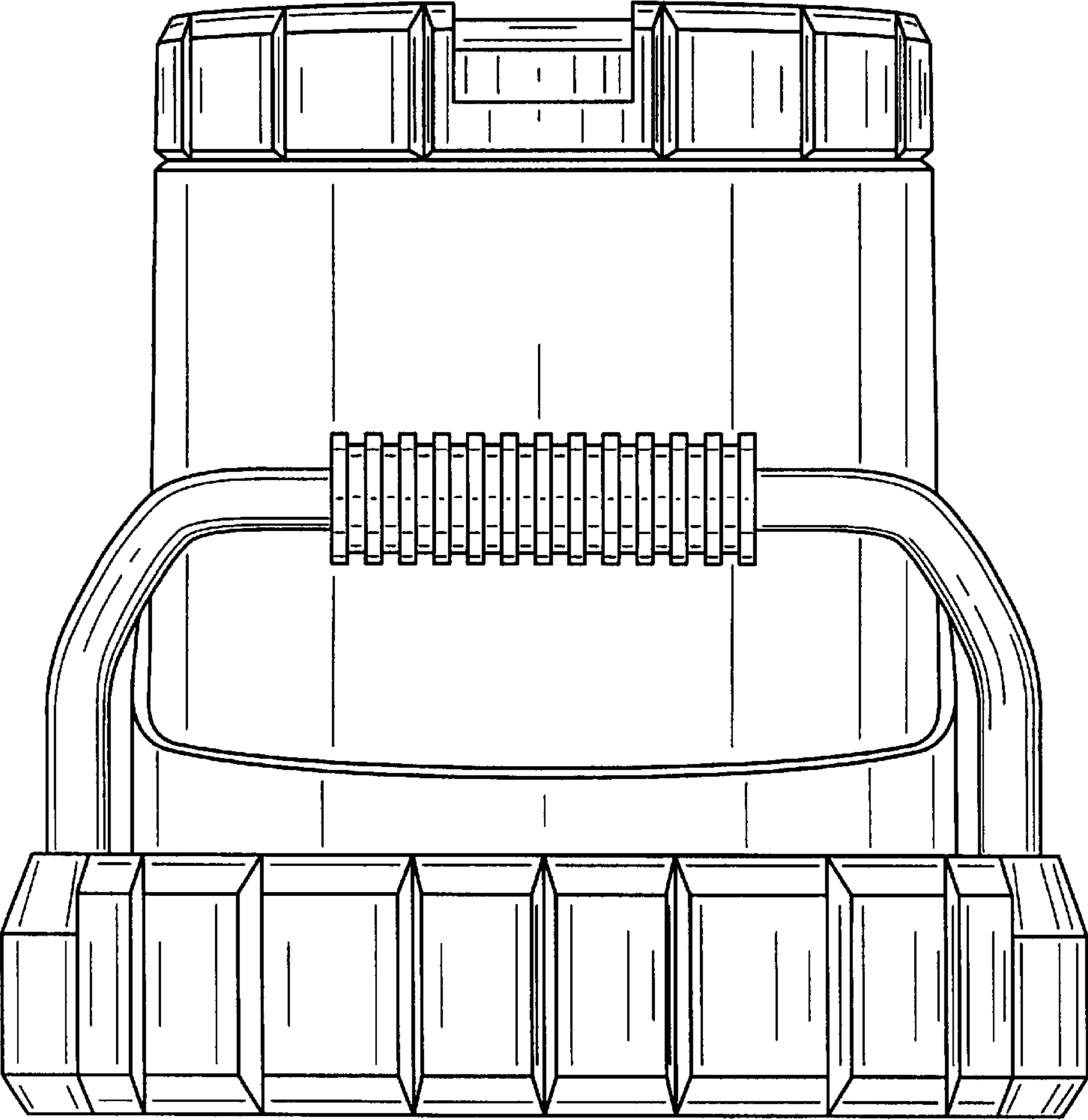


FIG. 6

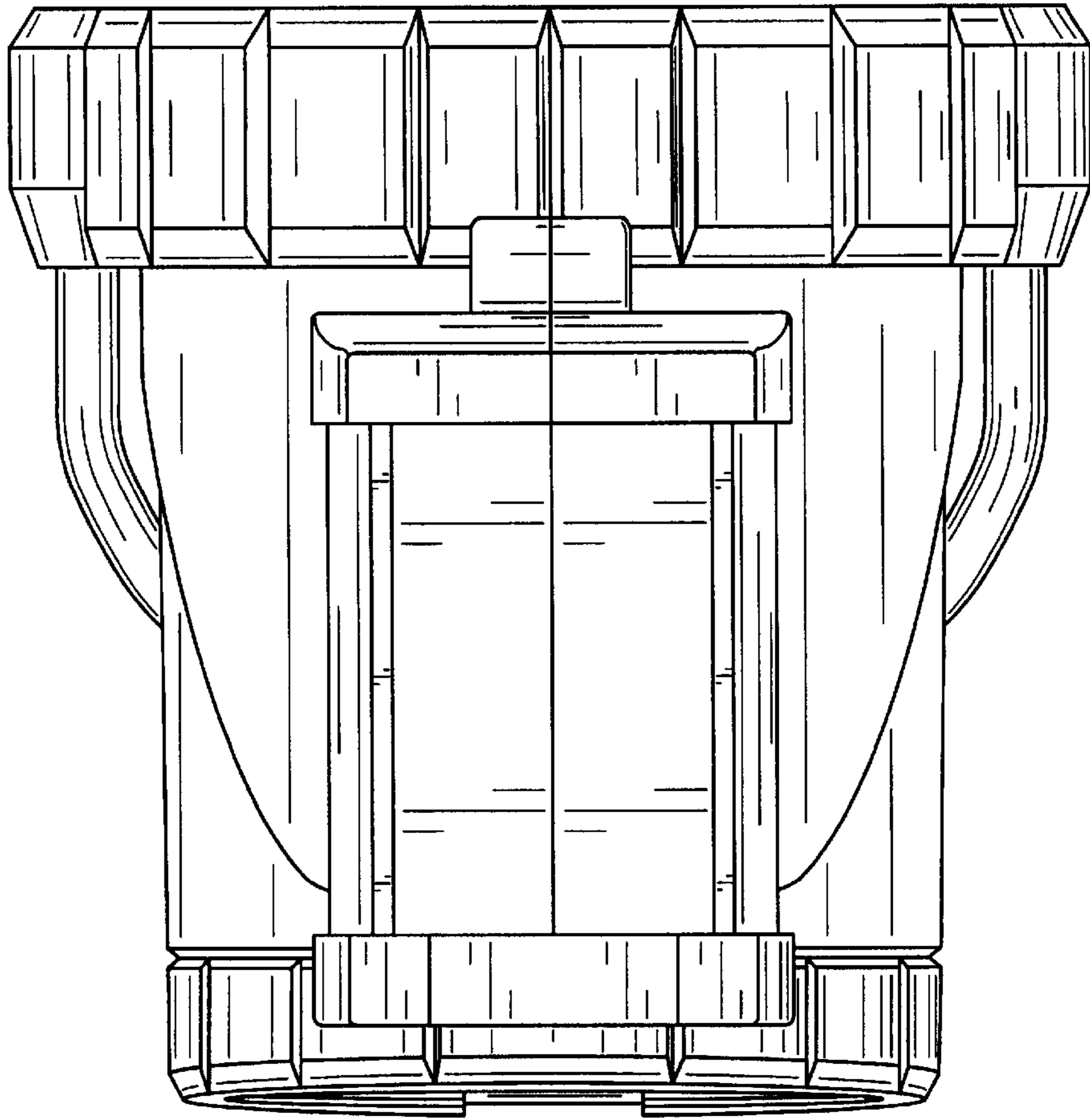


FIG. 7



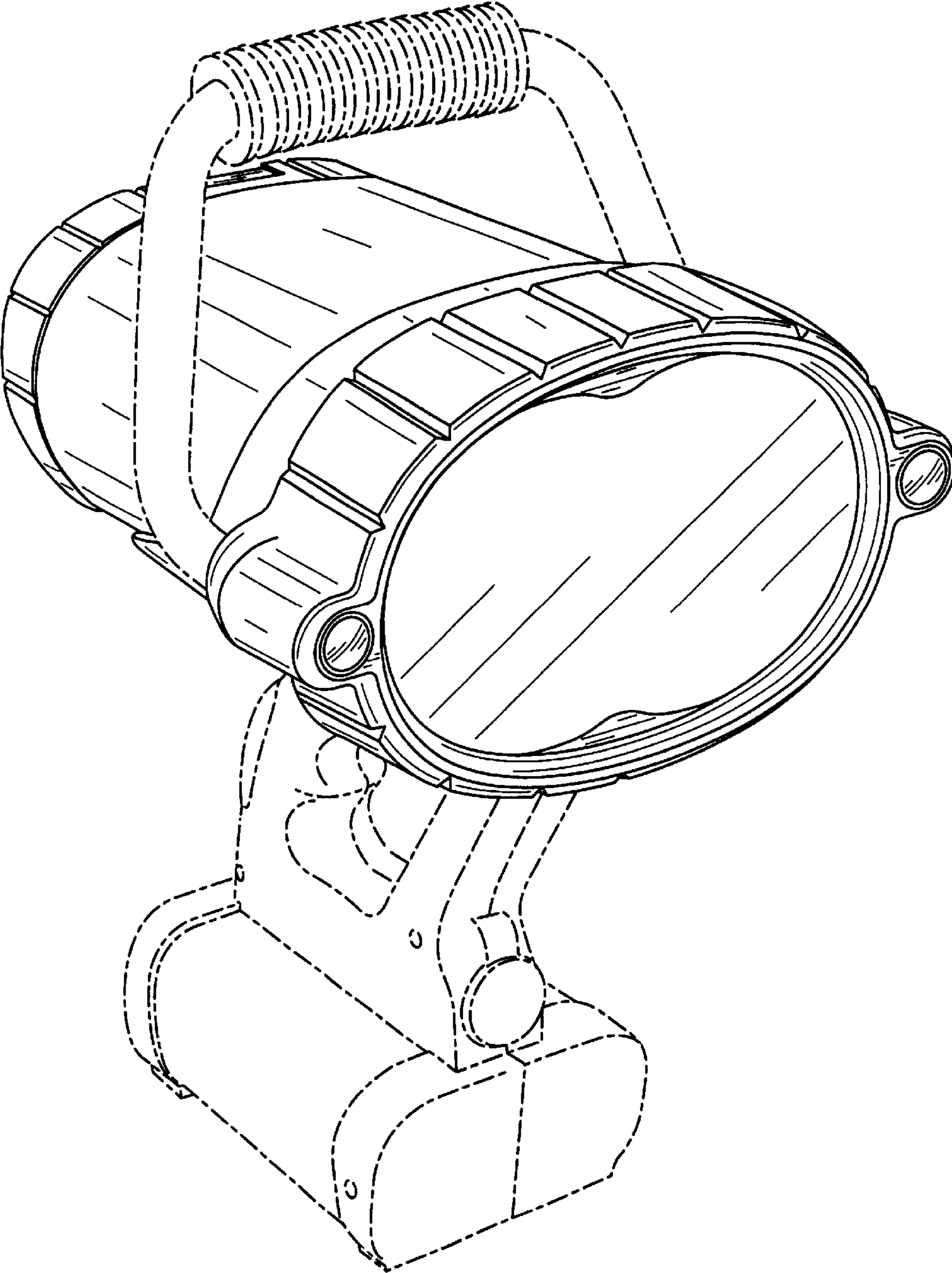


FIG. 8

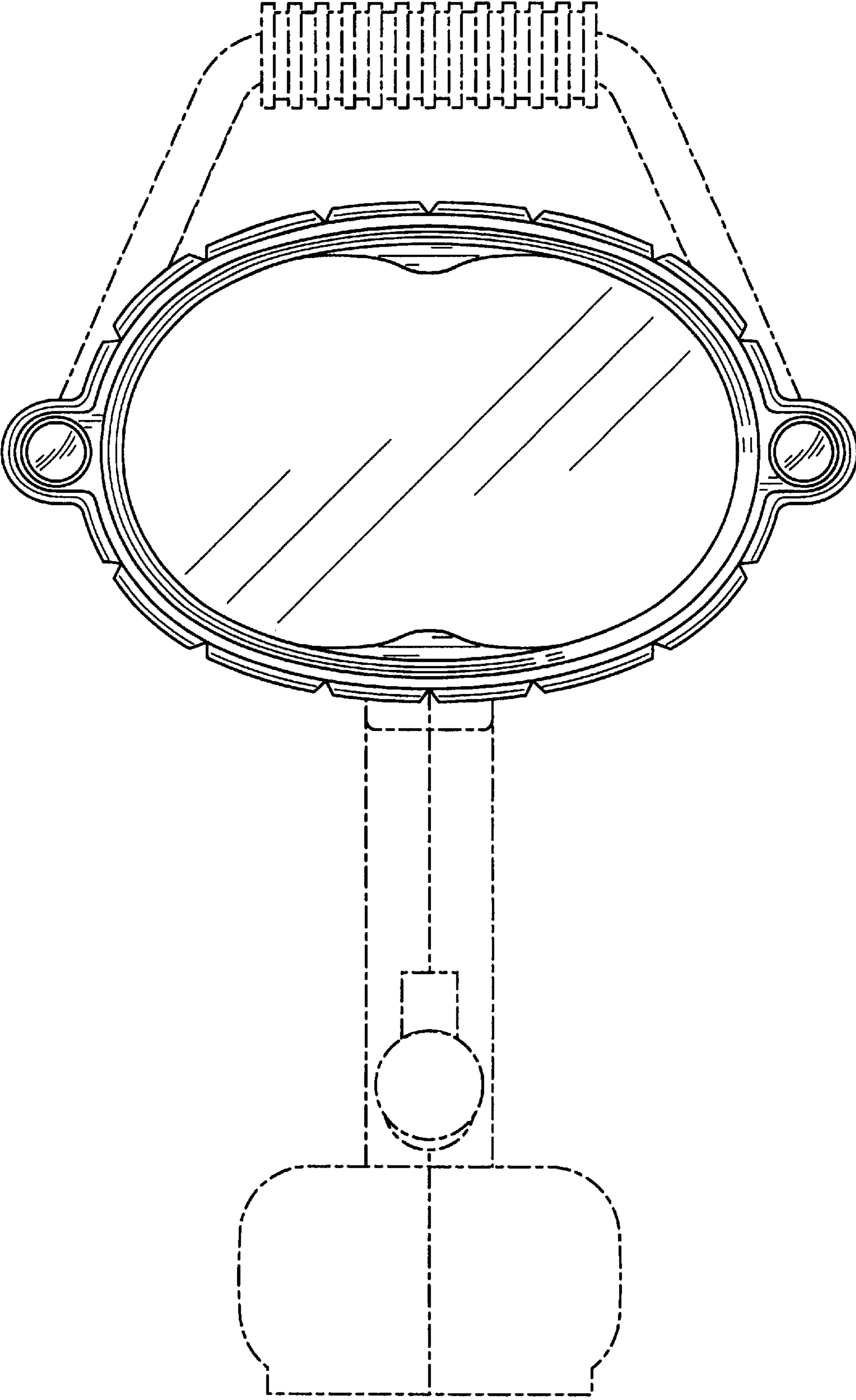


FIG. 9

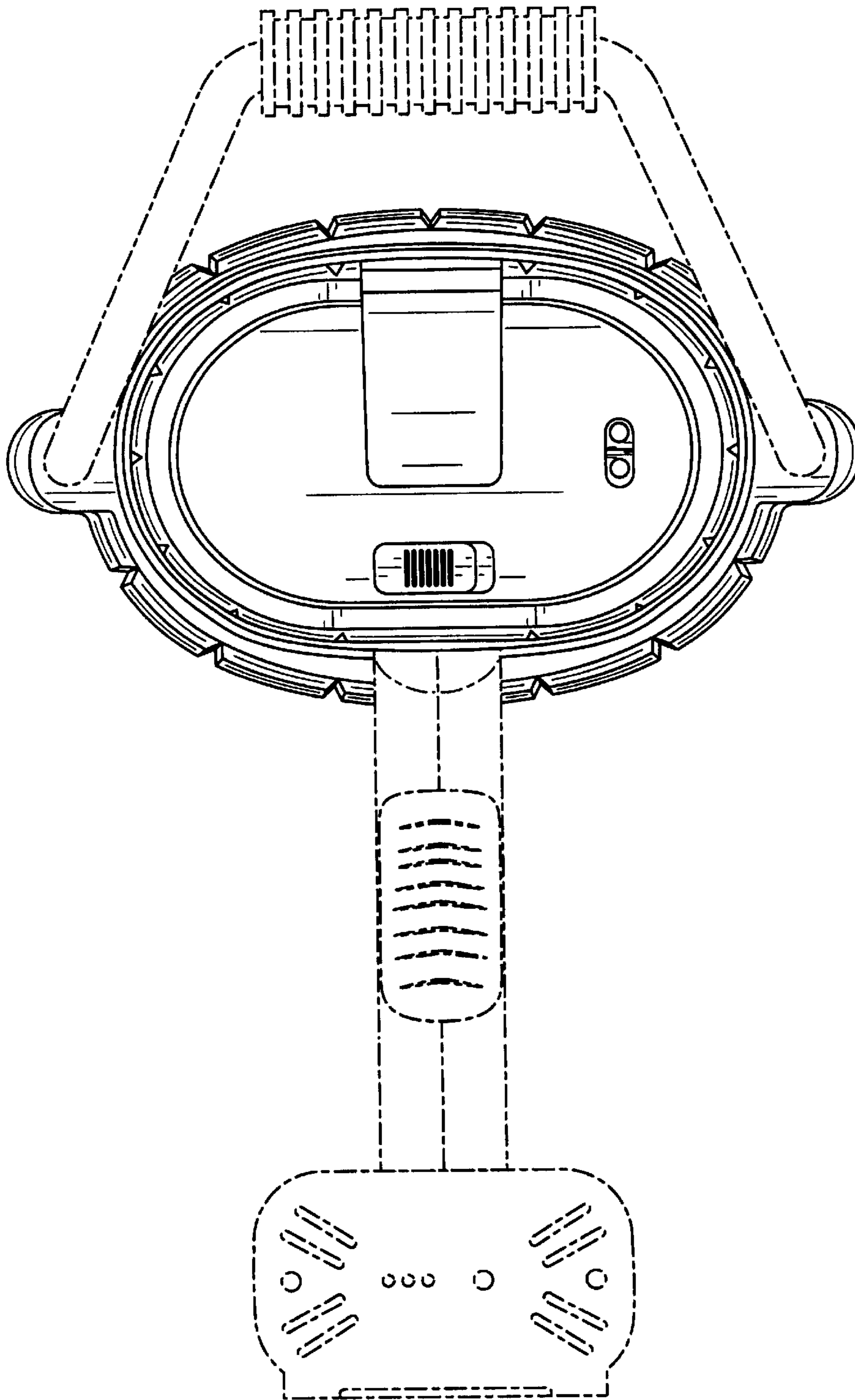


FIG. 10

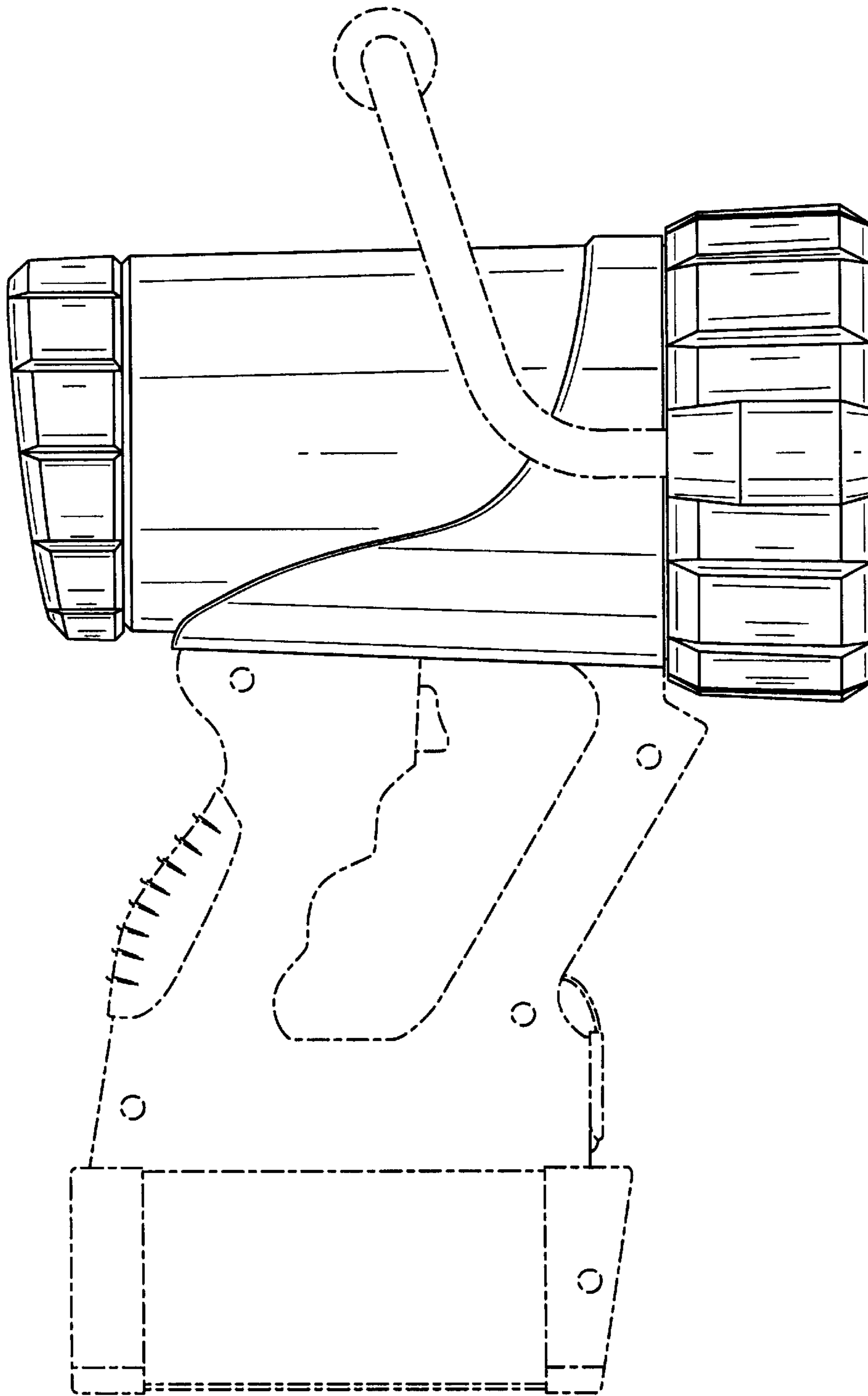


FIG. 11



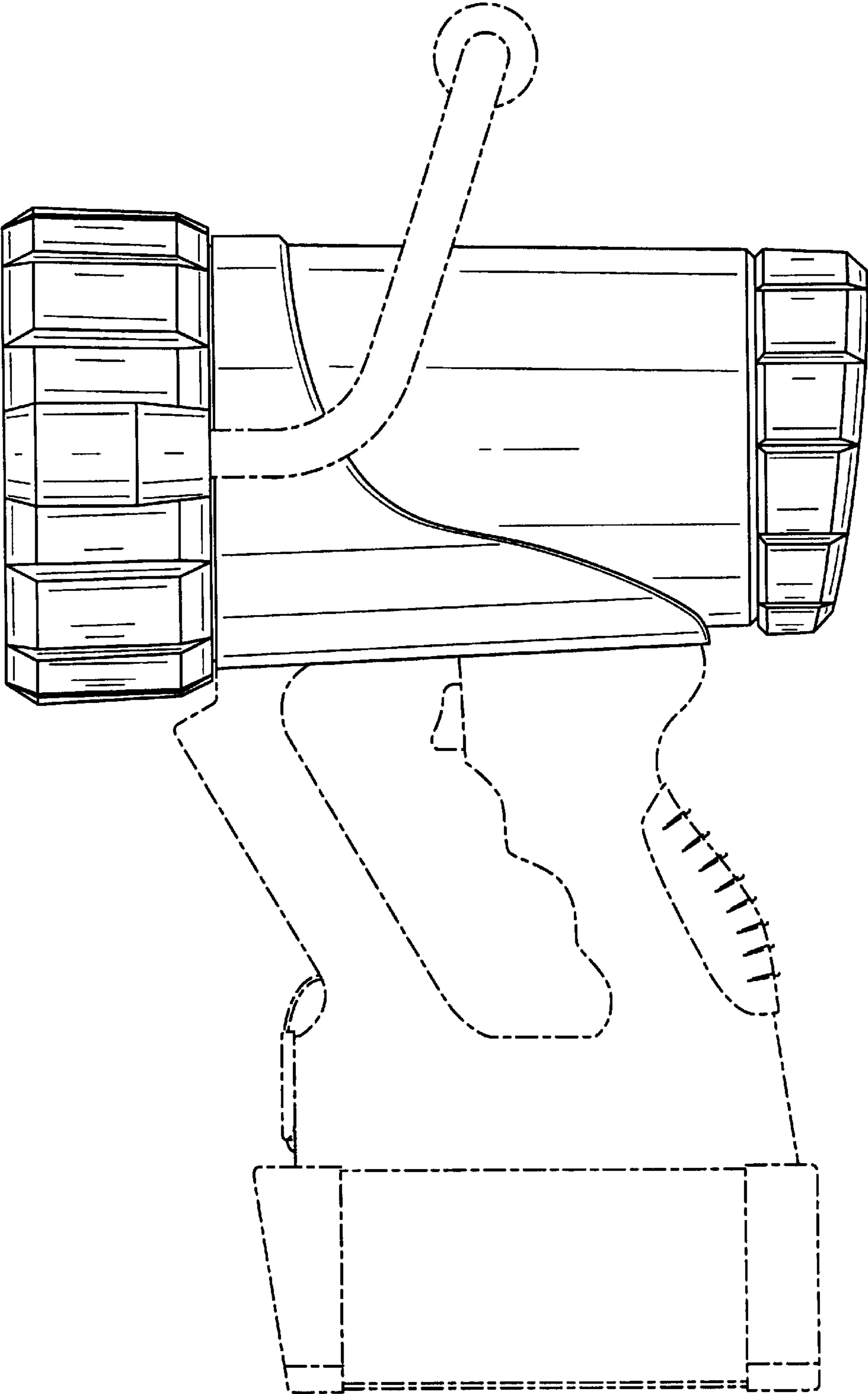


FIG. 12

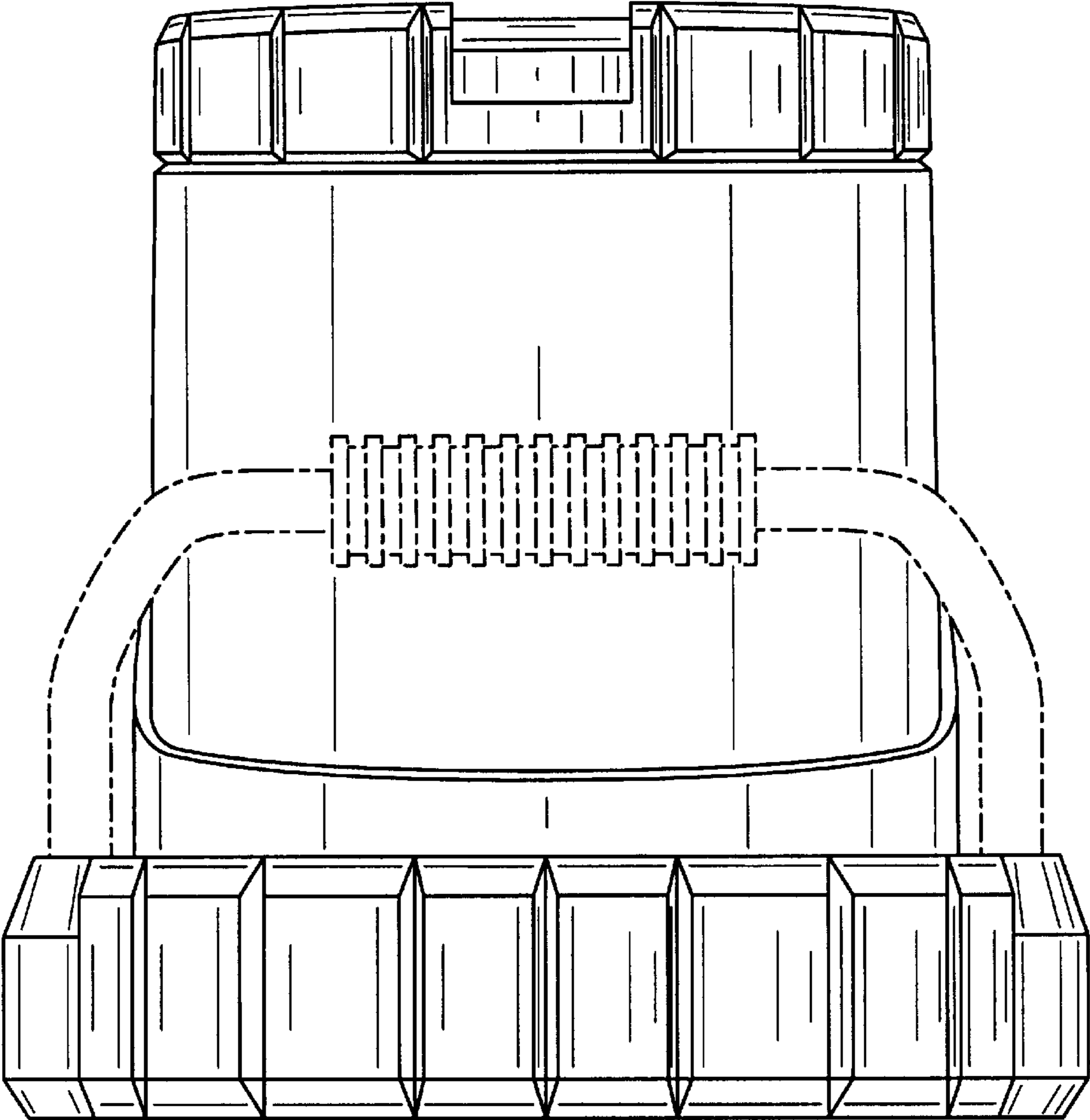


FIG. 13

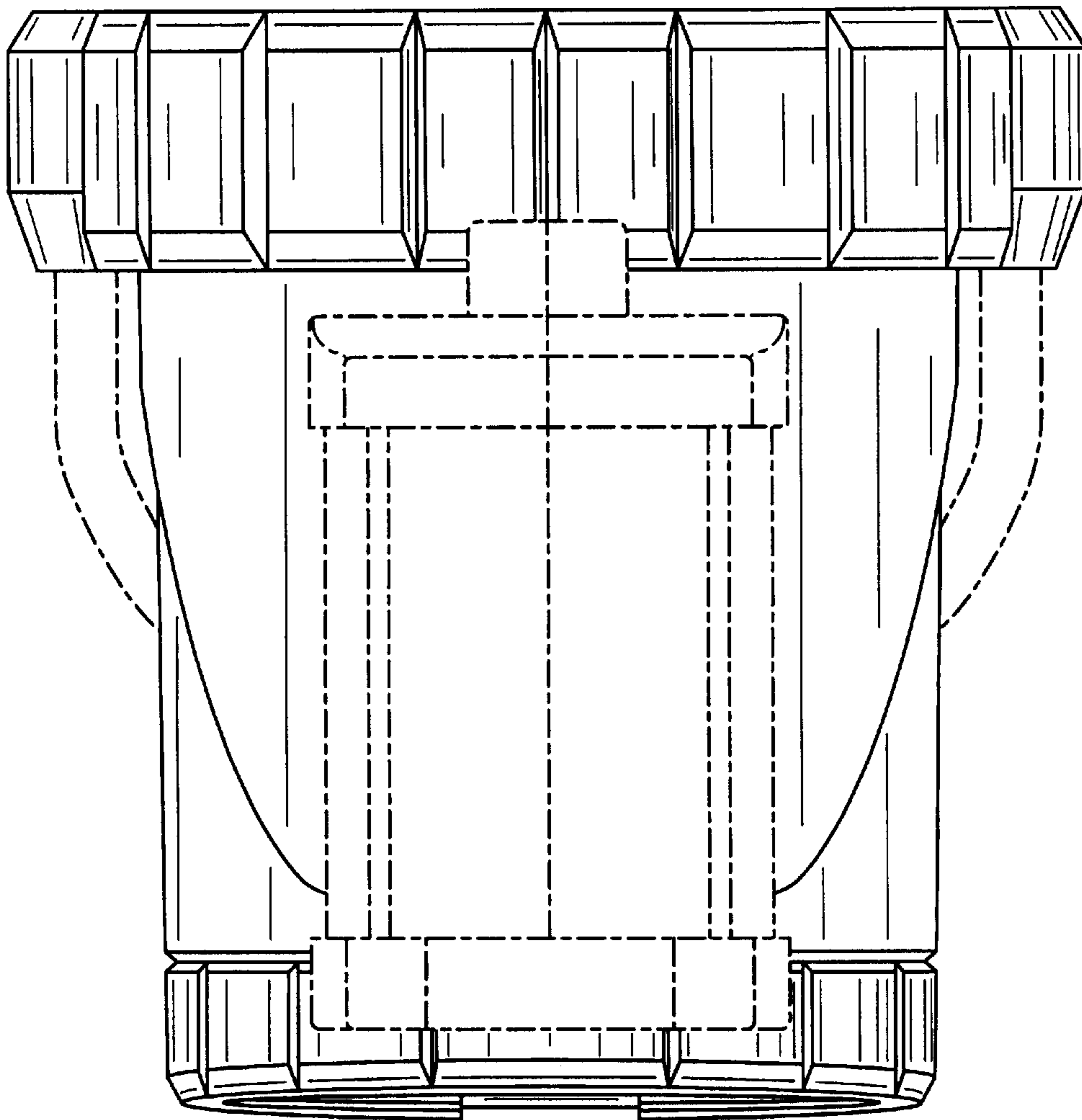


FIG. 14

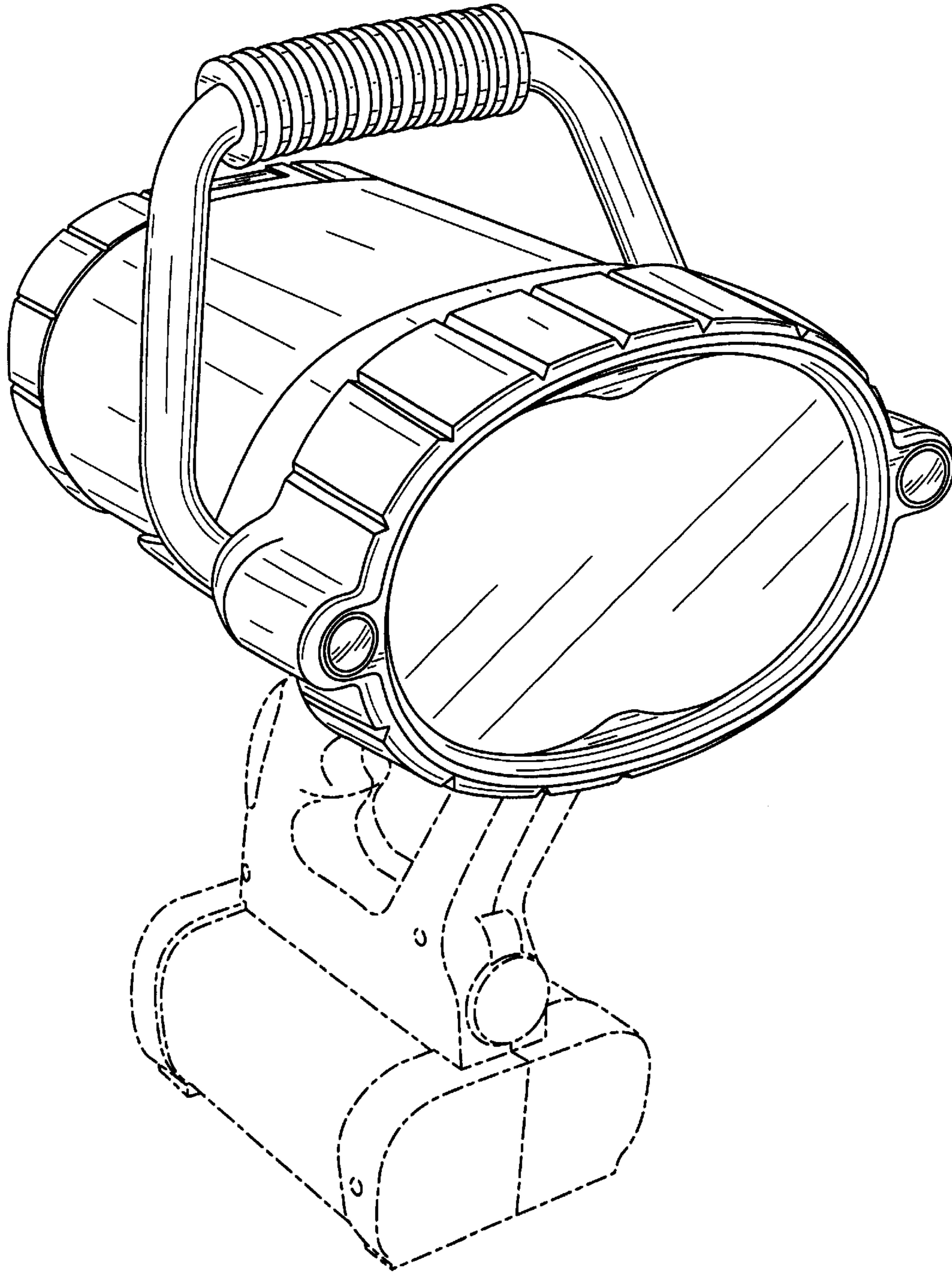


FIG. 15



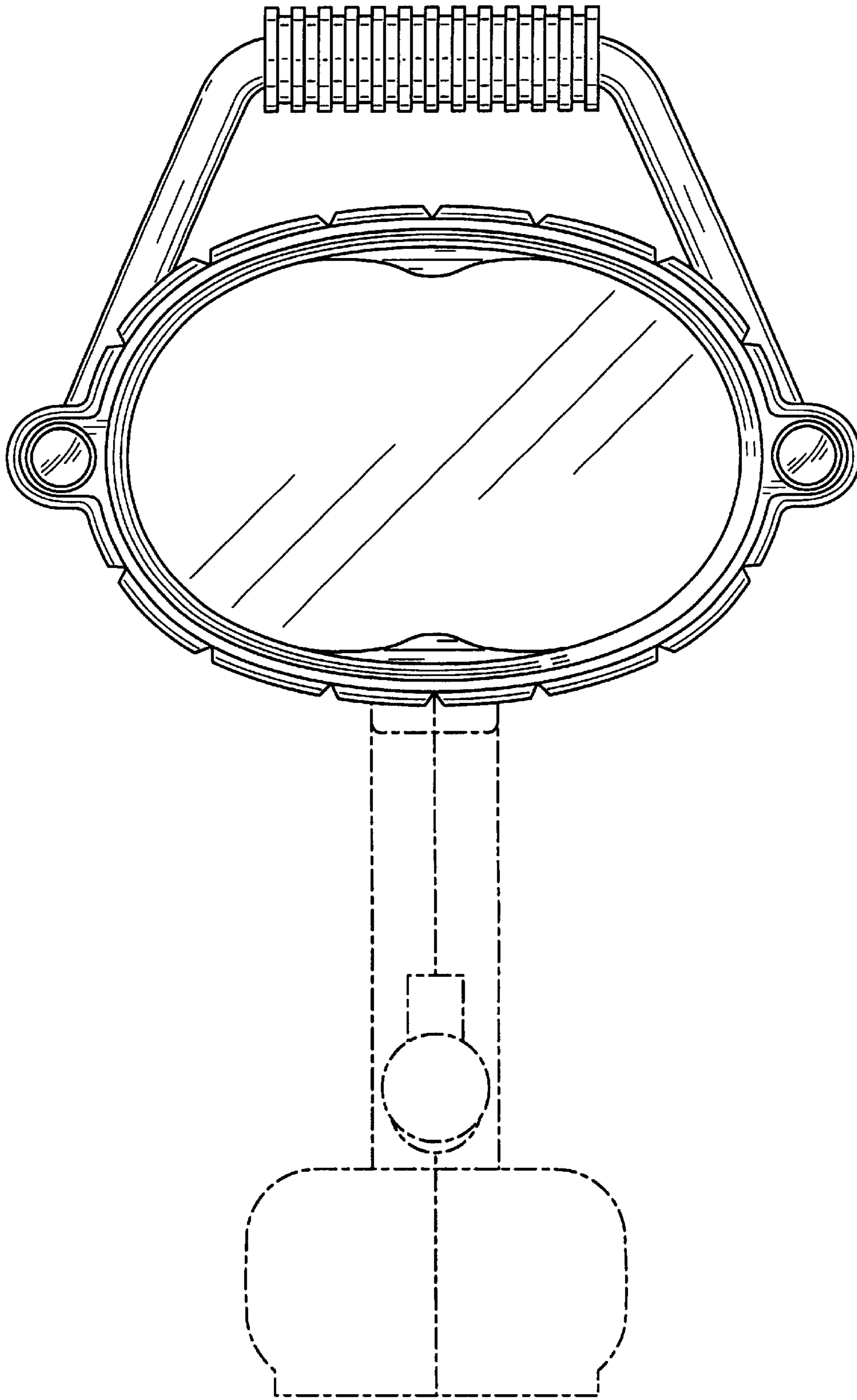


FIG. 16

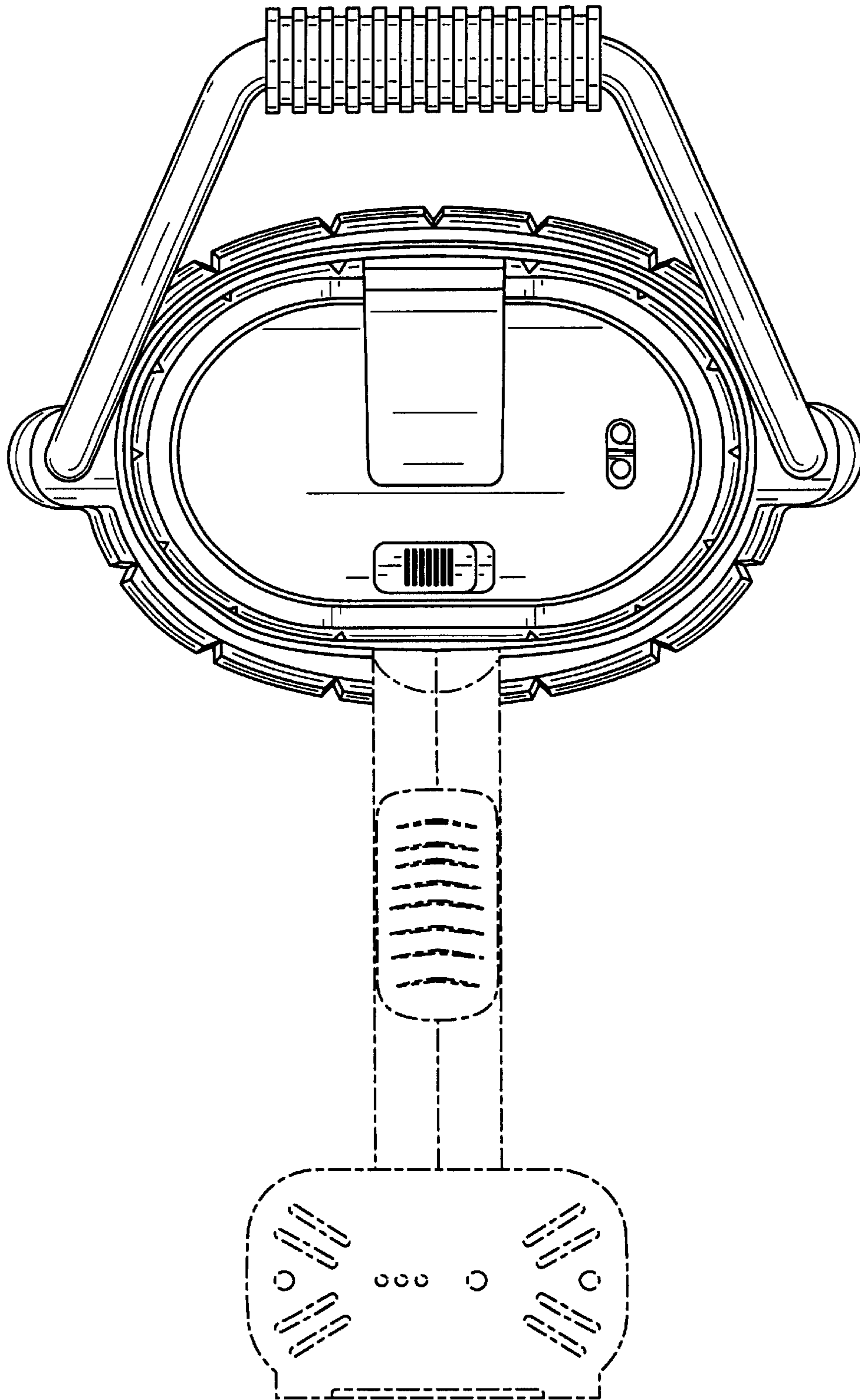


FIG. 17

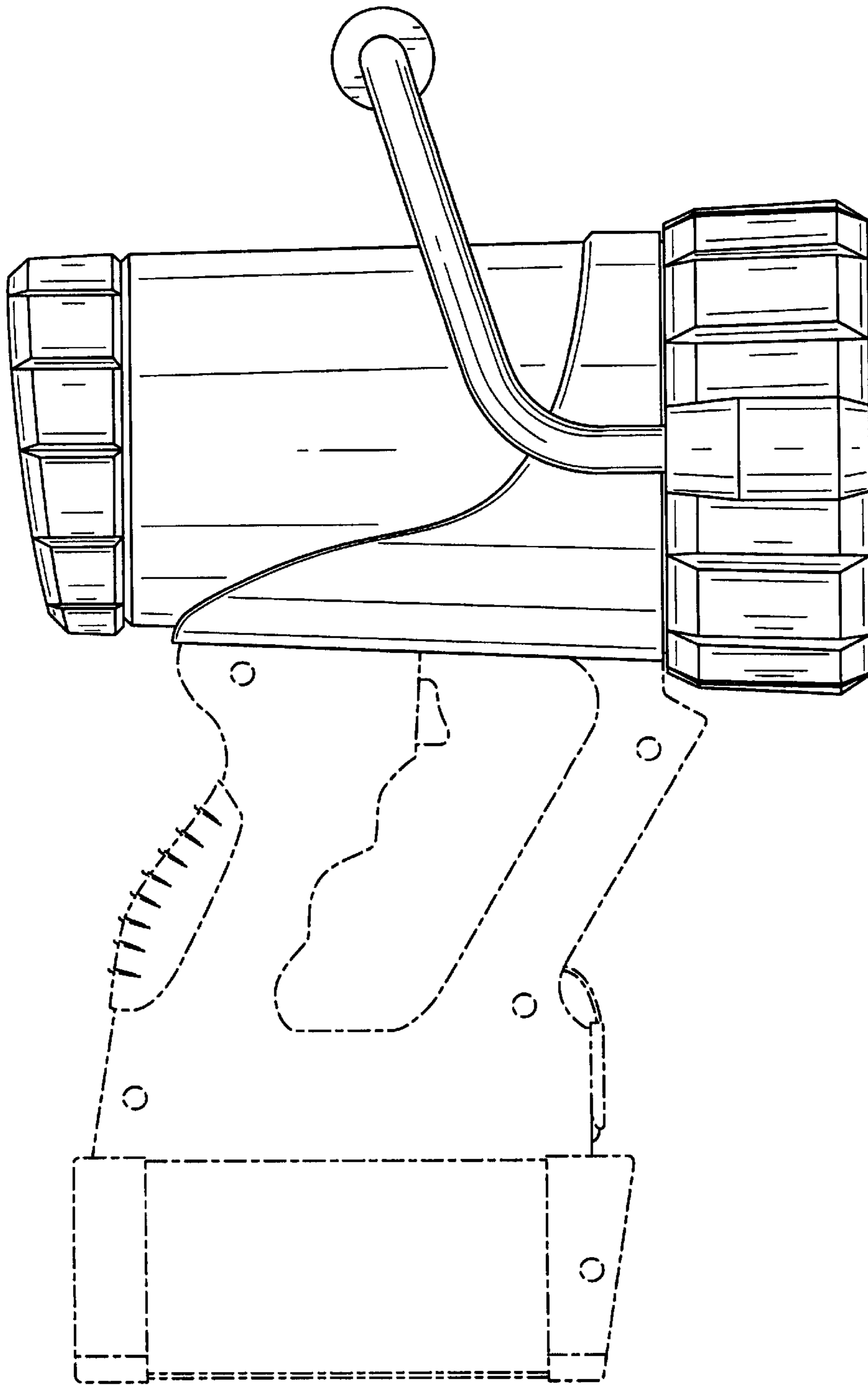


FIG. 18

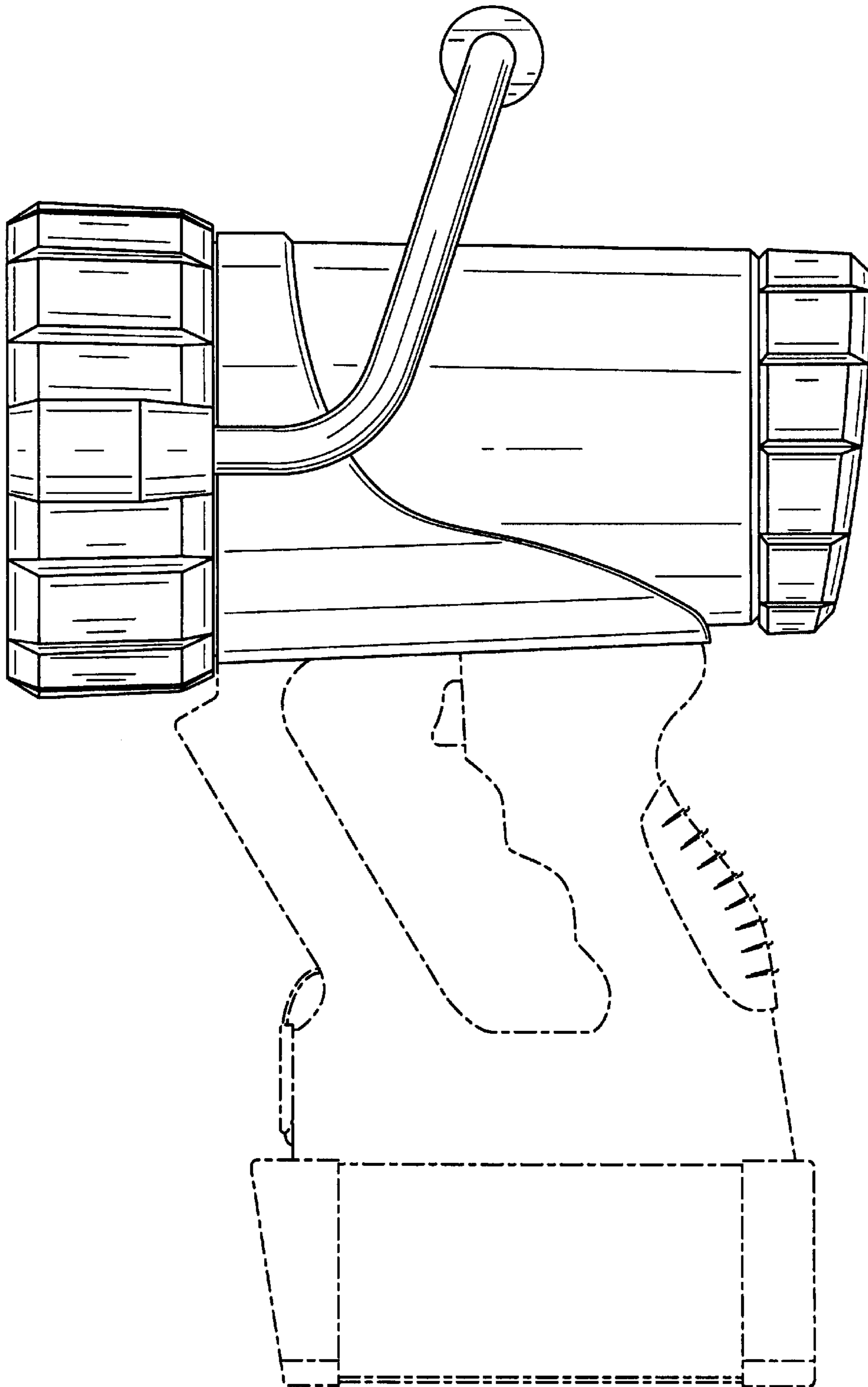


FIG. 19



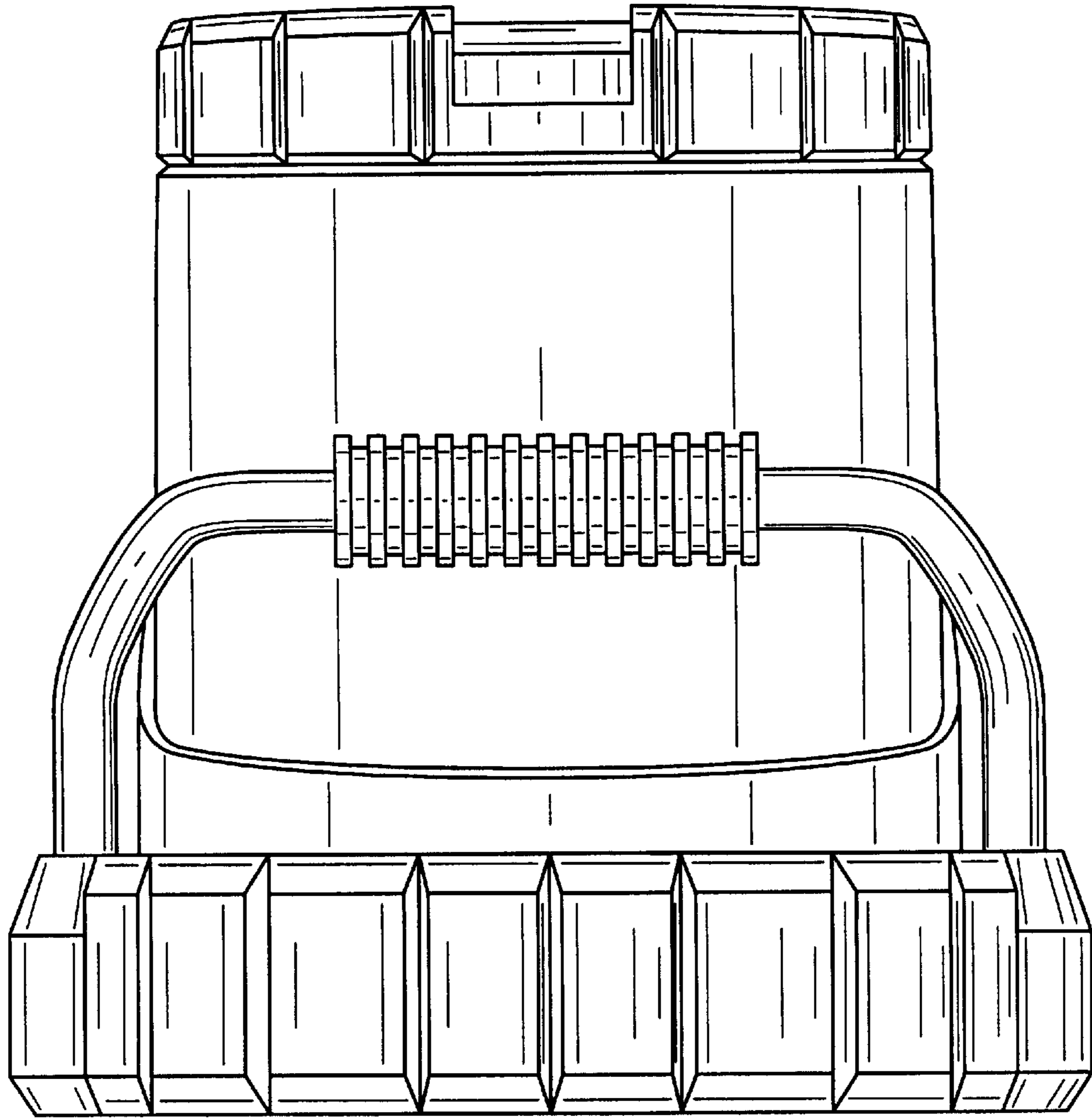


FIG. 20

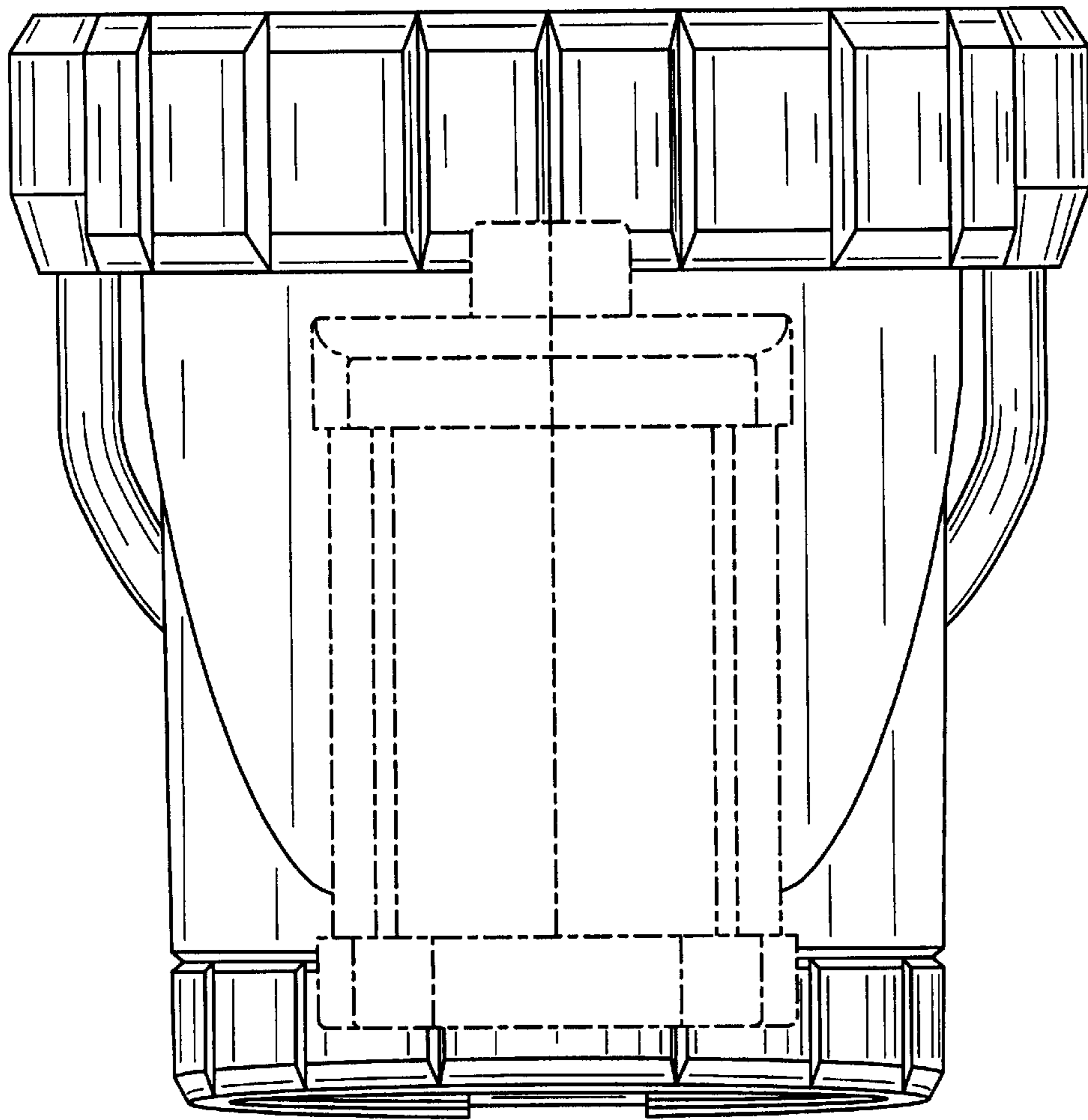


FIG. 21