

US00D522674S

(12) **United States Design Patent**
Krieger et al.

(10) **Patent No.:** **US D522,674 S**

(45) **Date of Patent:** **** Jun. 6, 2006**

(54) **SPOTLIGHT HANDLE**

(75) Inventors: **Michael Krieger**, Miami Beach, FL
(US); **Kevin Ellsworth**, Hollywood, FL
(US)

(73) Assignee: **Vector Products, Inc.**, Ft. Lauderdale,
FL (US)

(**) Term: **14 Years**

(21) Appl. No.: **29/227,651**

(22) Filed: **Apr. 14, 2005**

(51) **LOC (8) Cl.** **26-02**

(52) **U.S. Cl.** **D26/45**

(58) **Field of Classification Search** D26/37-50;
362/157, 158, 171-174, 183-208
See application file for complete search history.

(56) **References Cited**

U.S. PATENT DOCUMENTS

D432,692 S * 10/2000 Krieger D26/45
D490,552 S * 5/2004 Krieger et al. D26/45
D508,578 S * 8/2005 Shen D26/45

OTHER PUBLICATIONS

U.S. Appl. No. 29/227,652 filed Apr. 14, 2005.
U.S. Appl. No. 29/228,573 filed Apr. 26, 2005.
U.S. Appl. No. 29/222,173 filed Jan. 27, 2005.
U.S. Appl. No. 29/225,056 filed Mar. 11, 2005.
U.S. Appl. No. 29/222,176 filed Jan. 27, 2005.

* cited by examiner

Primary Examiner—Marcus A. Jackson

(74) *Attorney, Agent, or Firm*—Venable LLP; Robert
Kinberg; Manni Li

(57) **CLAIM**

The ornamental design for a spotlight handle, as shown and
described.

DESCRIPTION

FIG. 1 is a perspective view from the front-top-left side of
the spotlight handle showing a first embodiment of our new
design;

FIG. 2 is a front view of the design shown in FIG. 1;

FIG. 3 is a rear view of the design shown in FIG. 1;

FIG. 4 is a left side view of the design shown in FIG. 1;

FIG. 5 is a right side view of the design shown in FIG. 1;

FIG. 6 is a top view of the design shown in FIG. 1;

FIG. 7 is a bottom view of the design shown in FIG. 1;

FIG. 8 is a perspective view from the front-top-left side of
the spotlight handle showing a second embodiment of our
new design;

FIG. 9 is a front view of the design shown in FIG. 8;

FIG. 10 is a rear view of the design shown in FIG. 8;

FIG. 11 is a left side view of the design shown in FIG. 8;

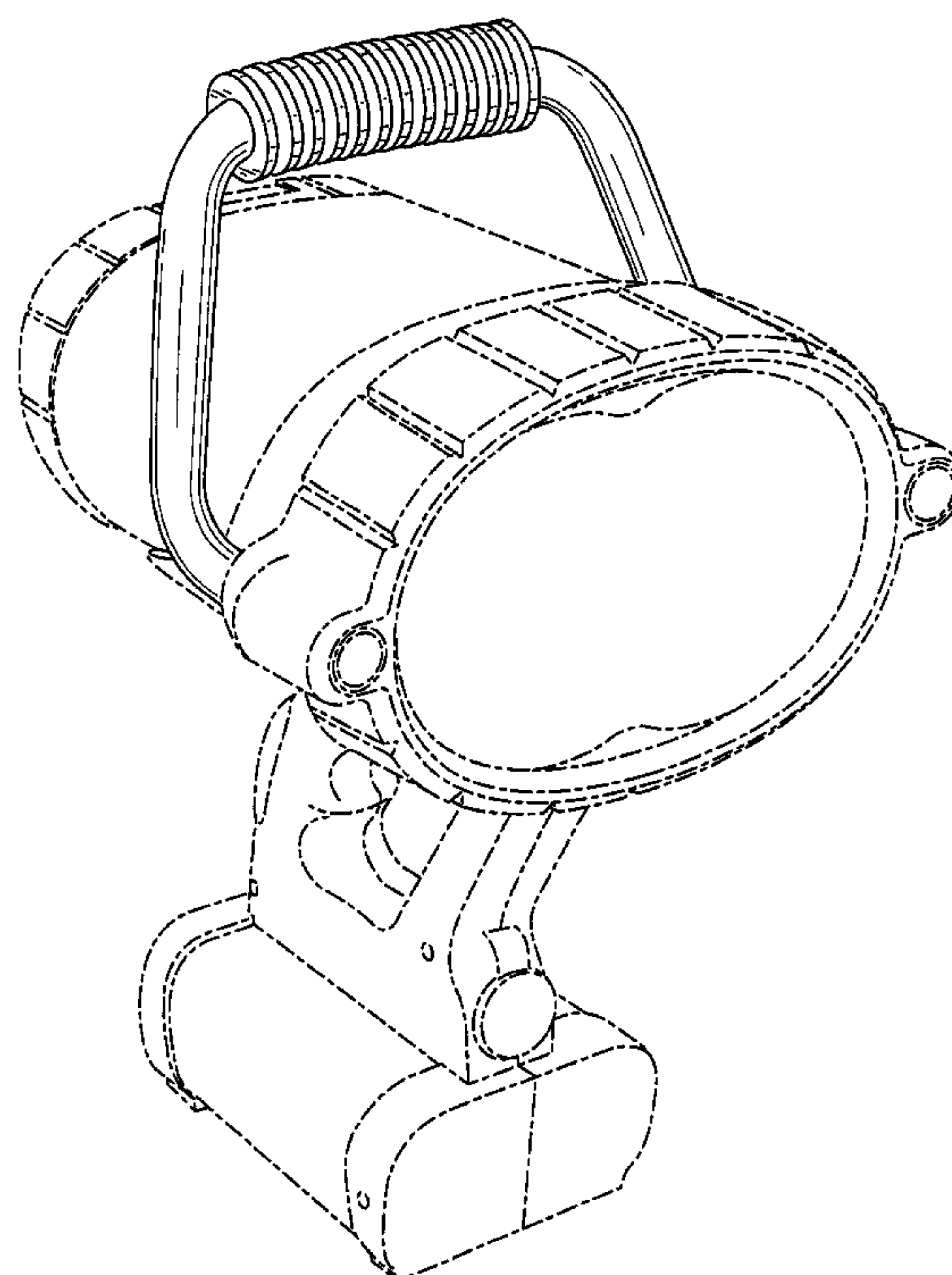
FIG. 12 is a right side view of the design shown in FIG. 8;

FIG. 13 is a top view of the design shown in FIG. 8; and,

FIG. 14 is a bottom view of the design shown in FIG. 8.

The broken lines immediately adjacent the shaded areas
represent the bounds of the claimed design while all other
broken lines are for illustrative purposes only; the broken
lines form no part of the claimed design.

1 Claim, 14 Drawing Sheets



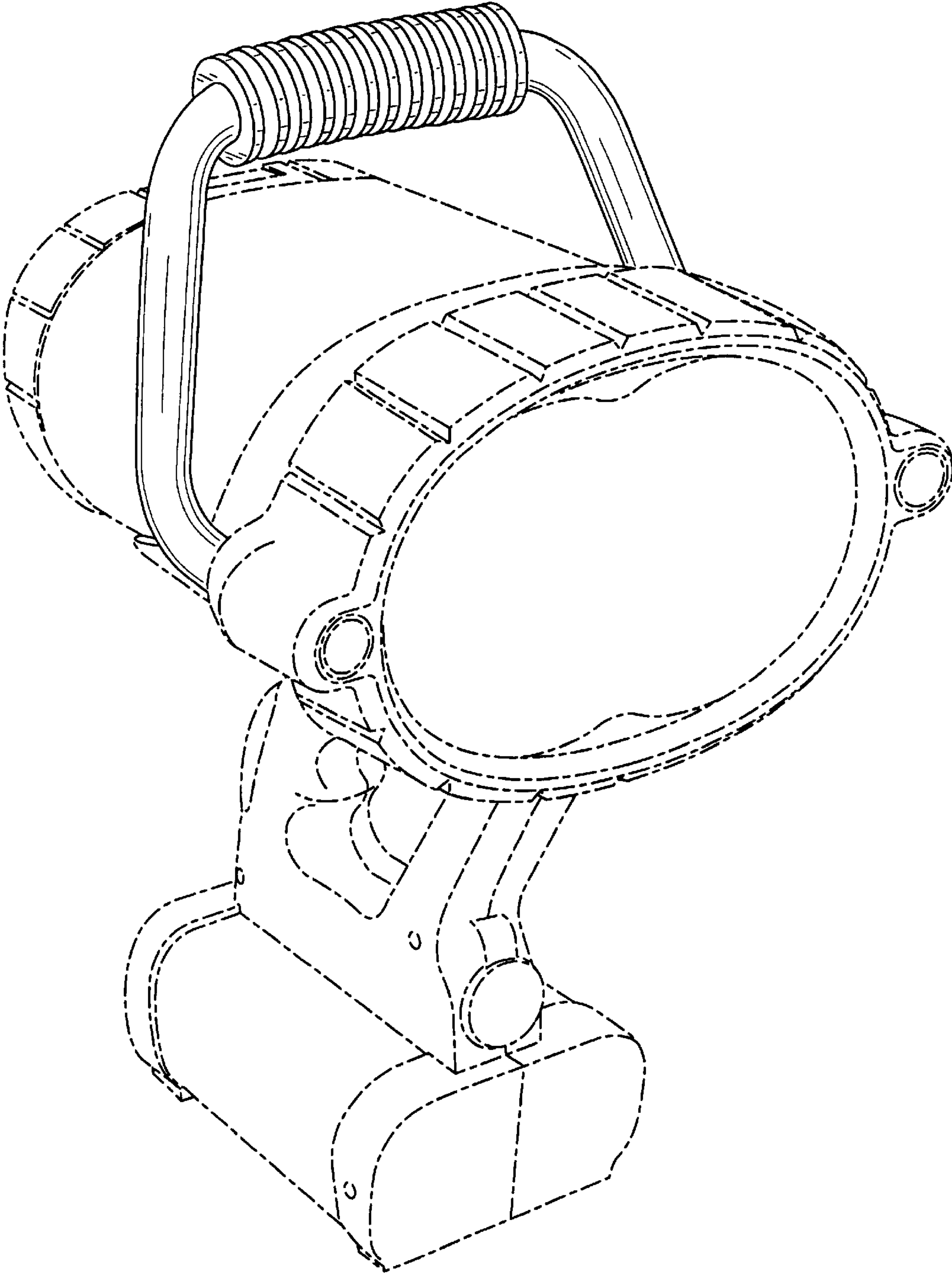


FIG. 1

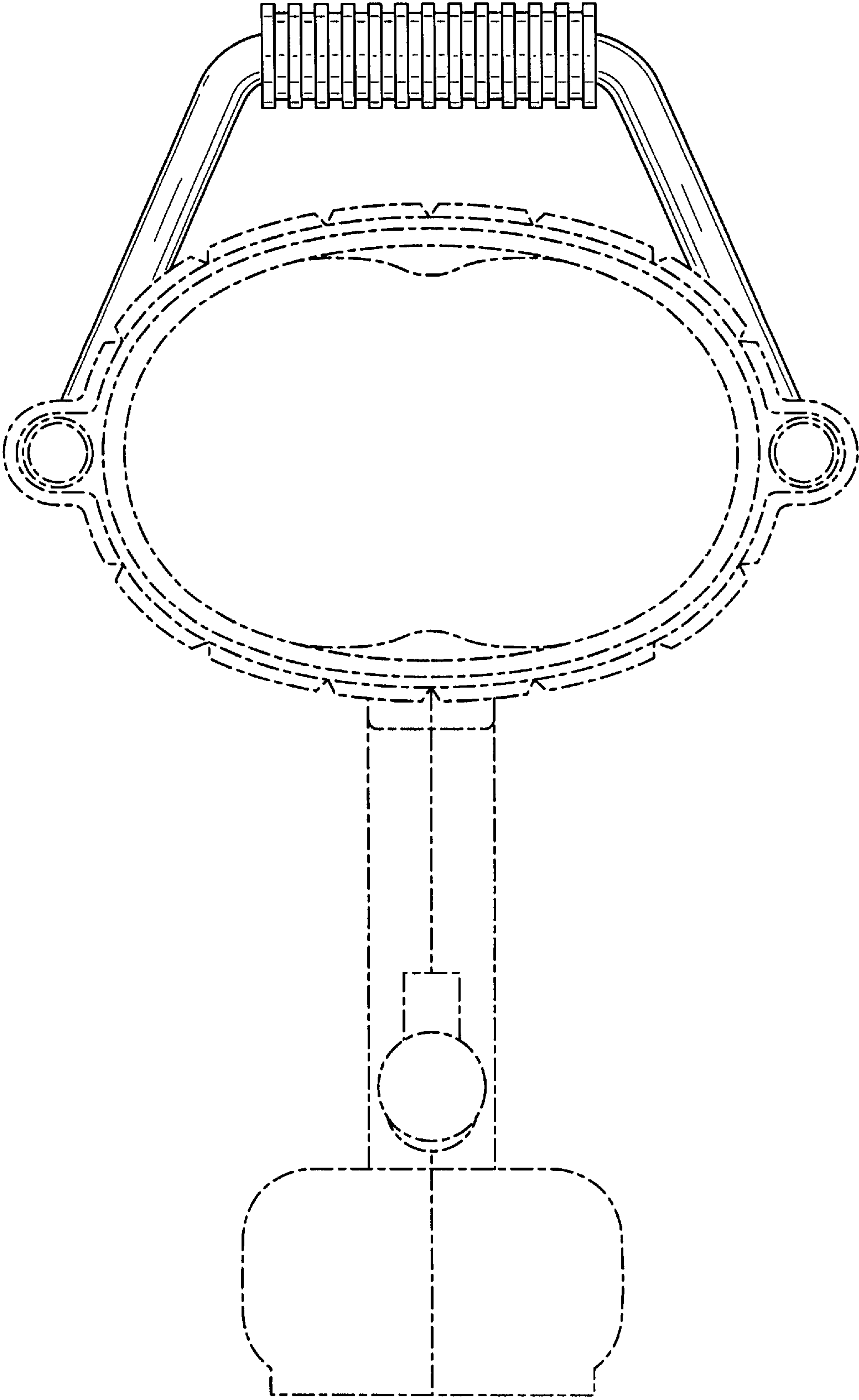


FIG. 2

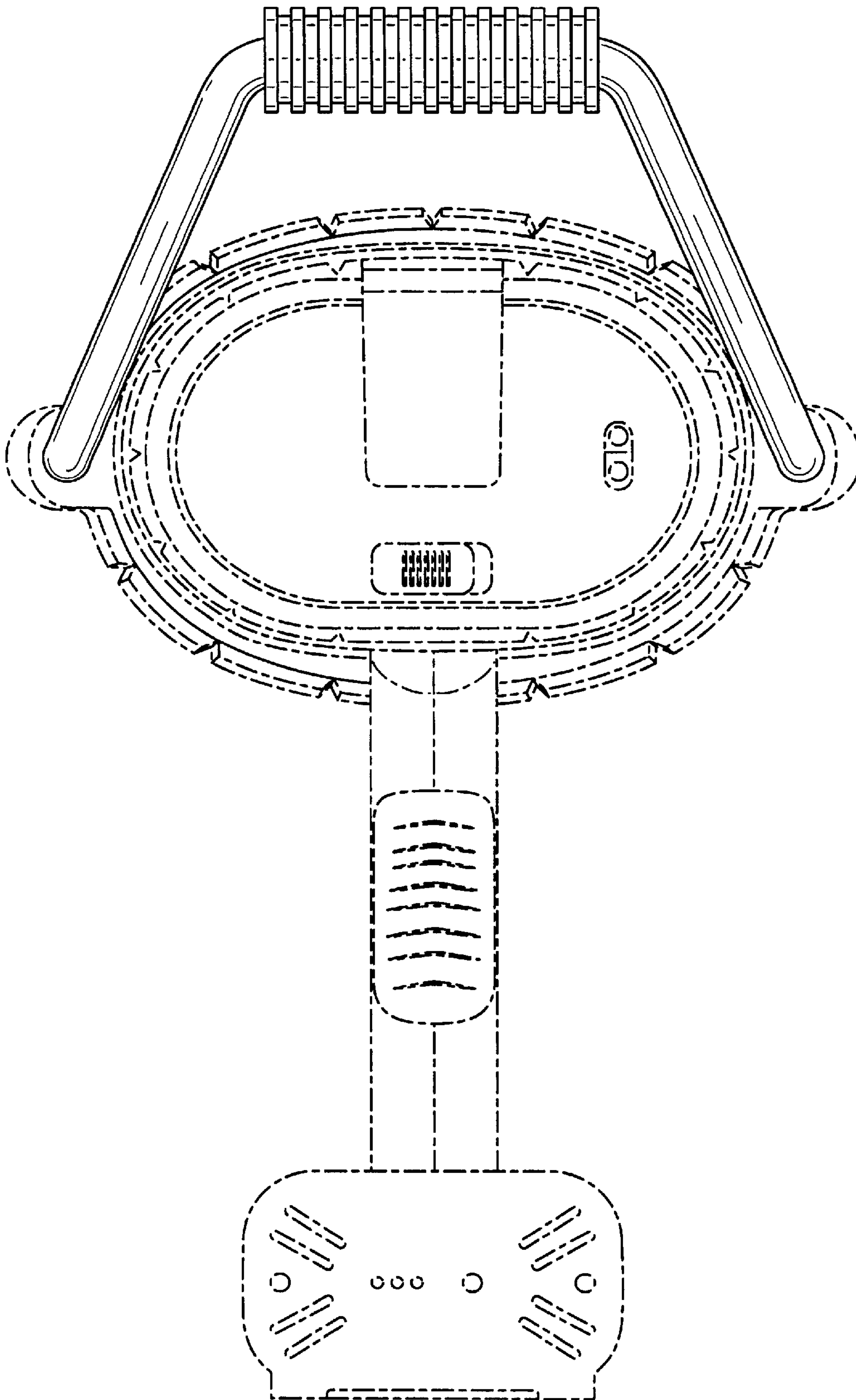


FIG. 3

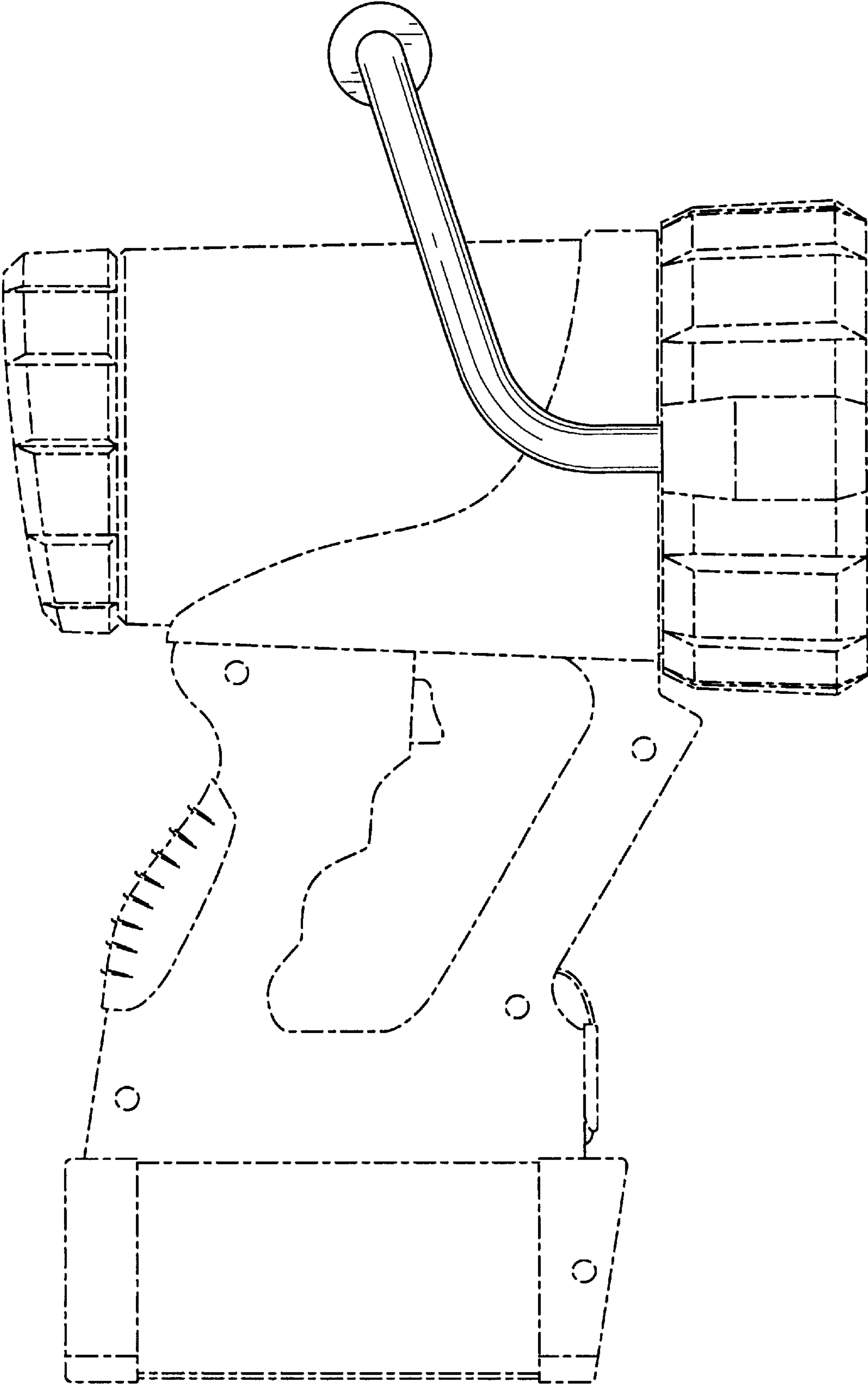


FIG. 4

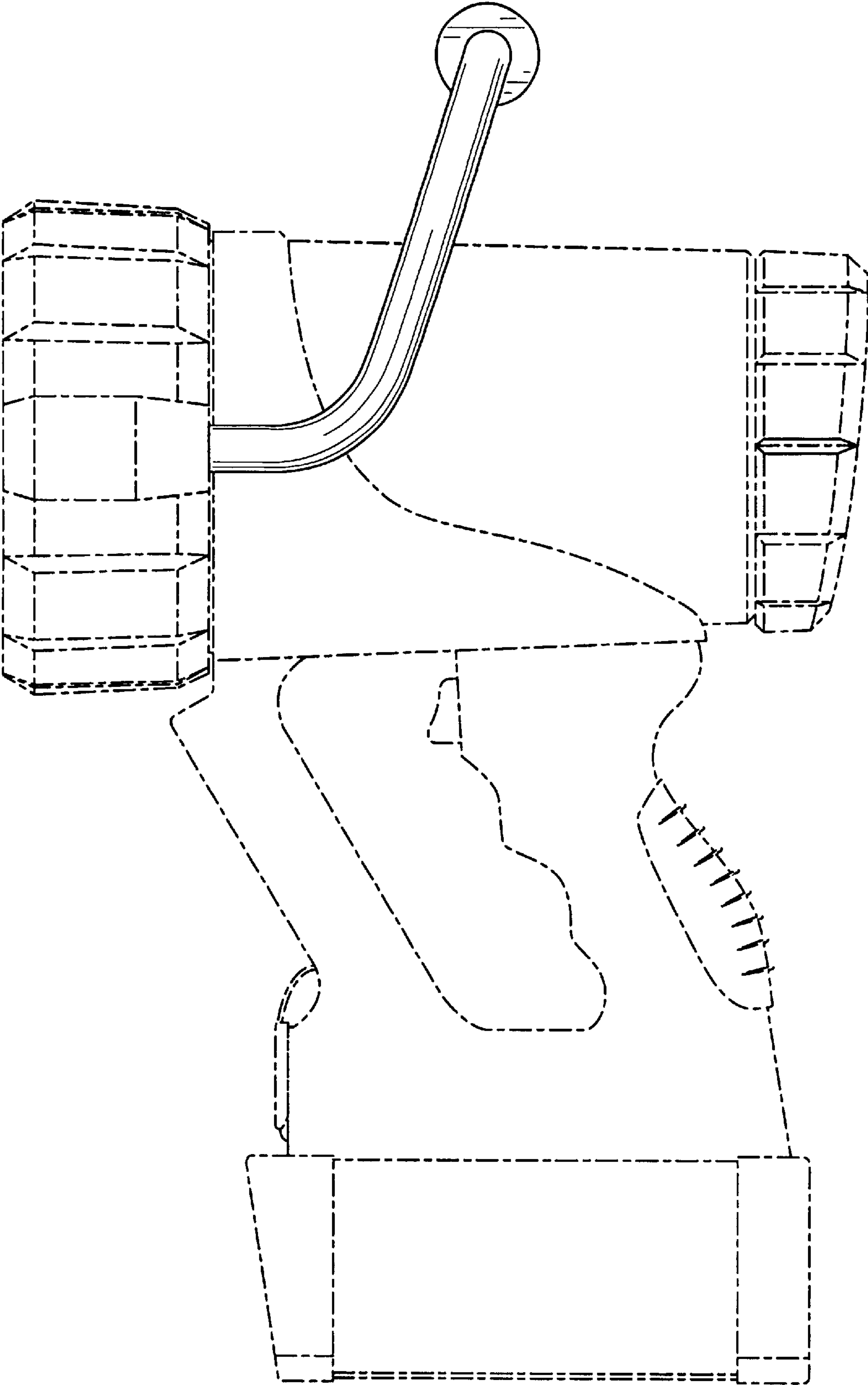


FIG. 5

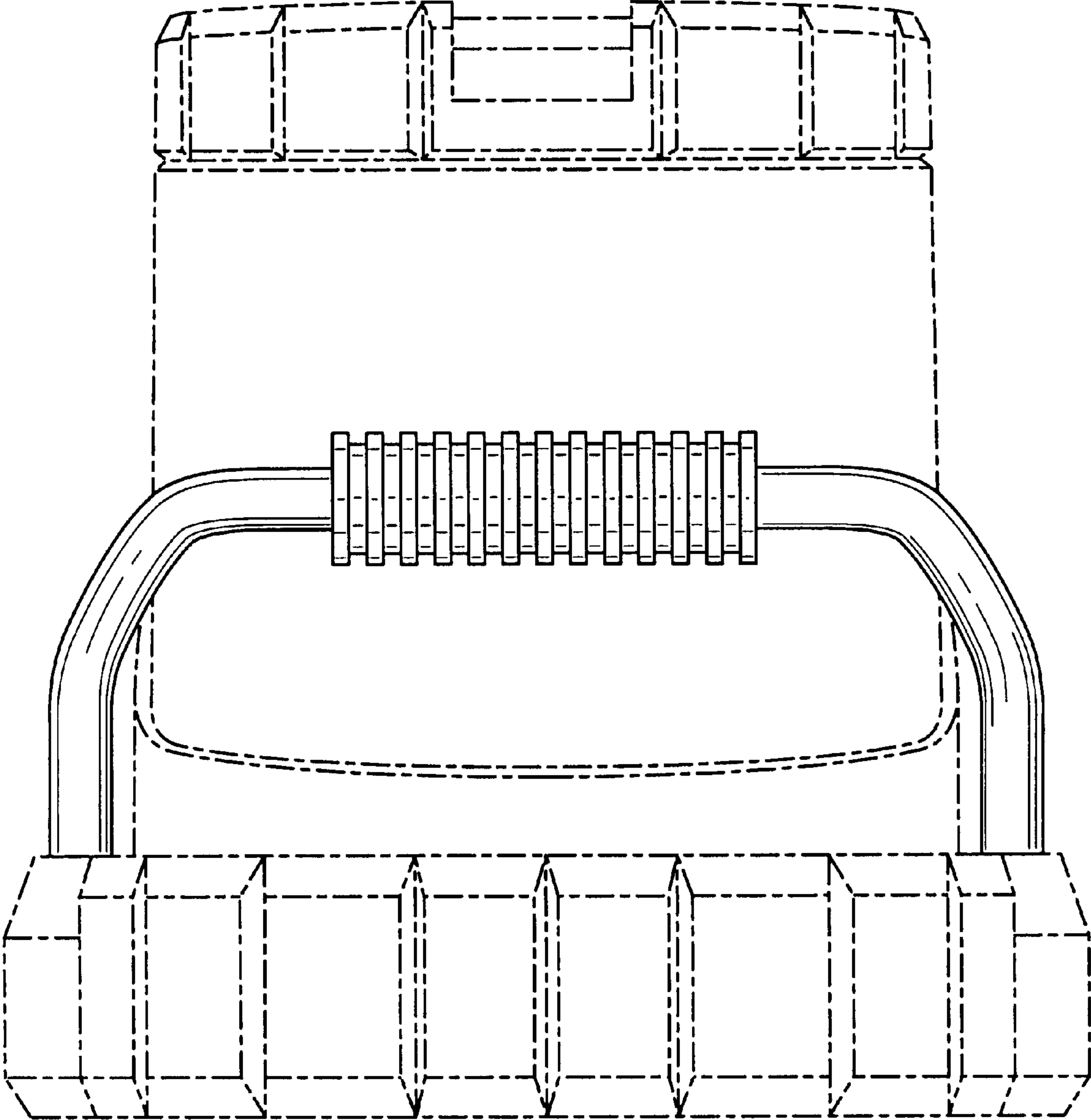


FIG. 6

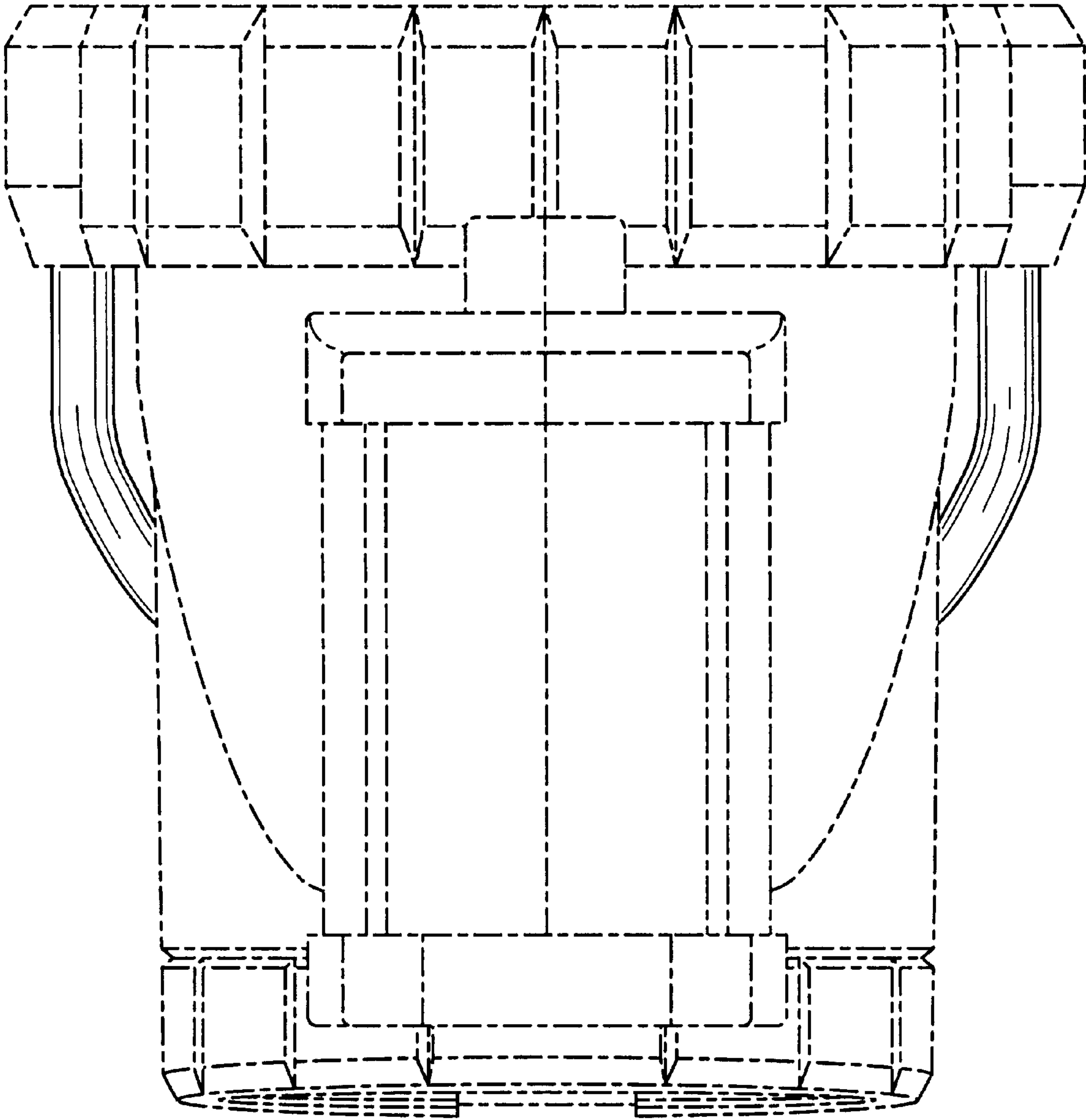


FIG. 7

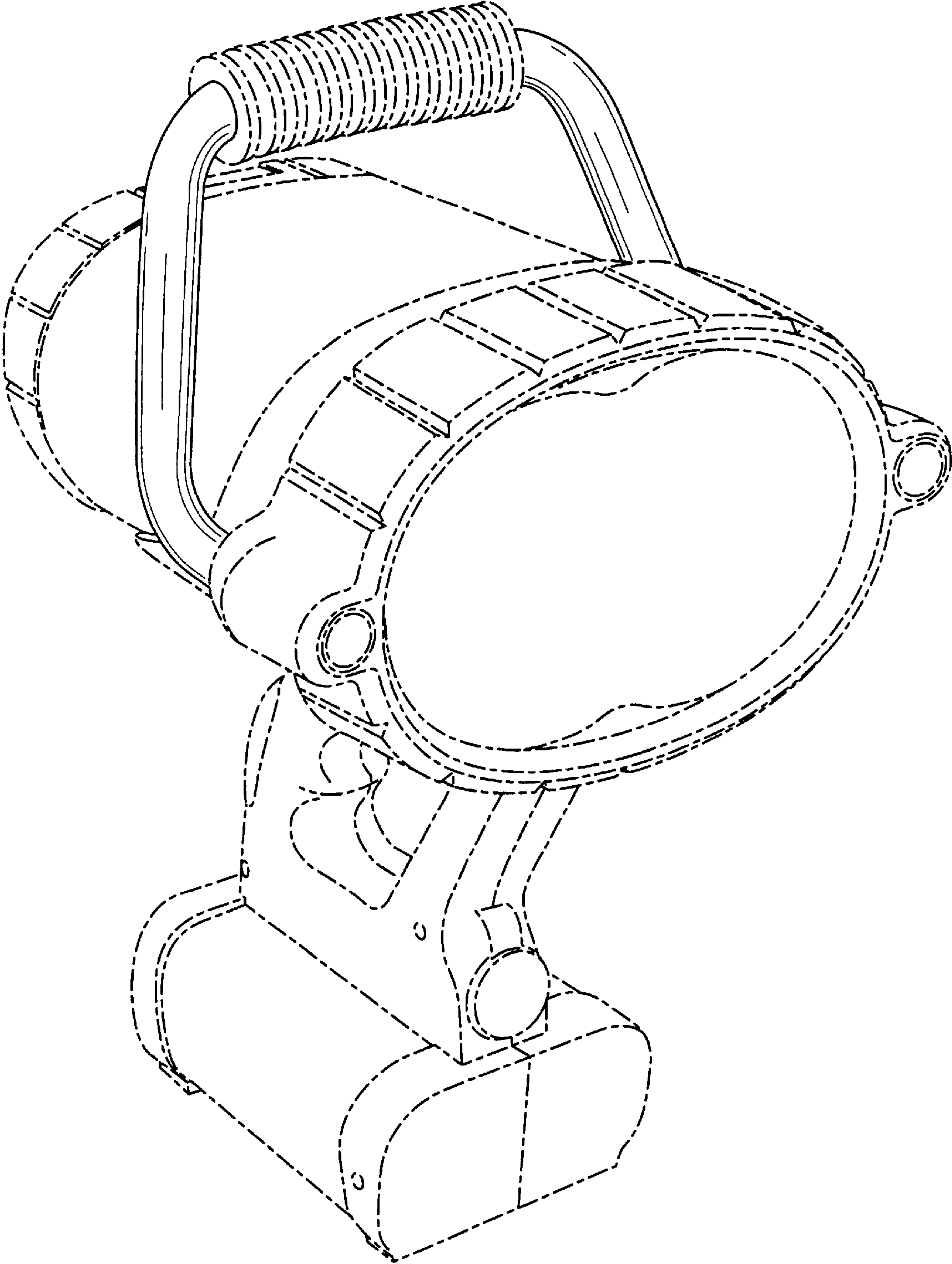


FIG. 8

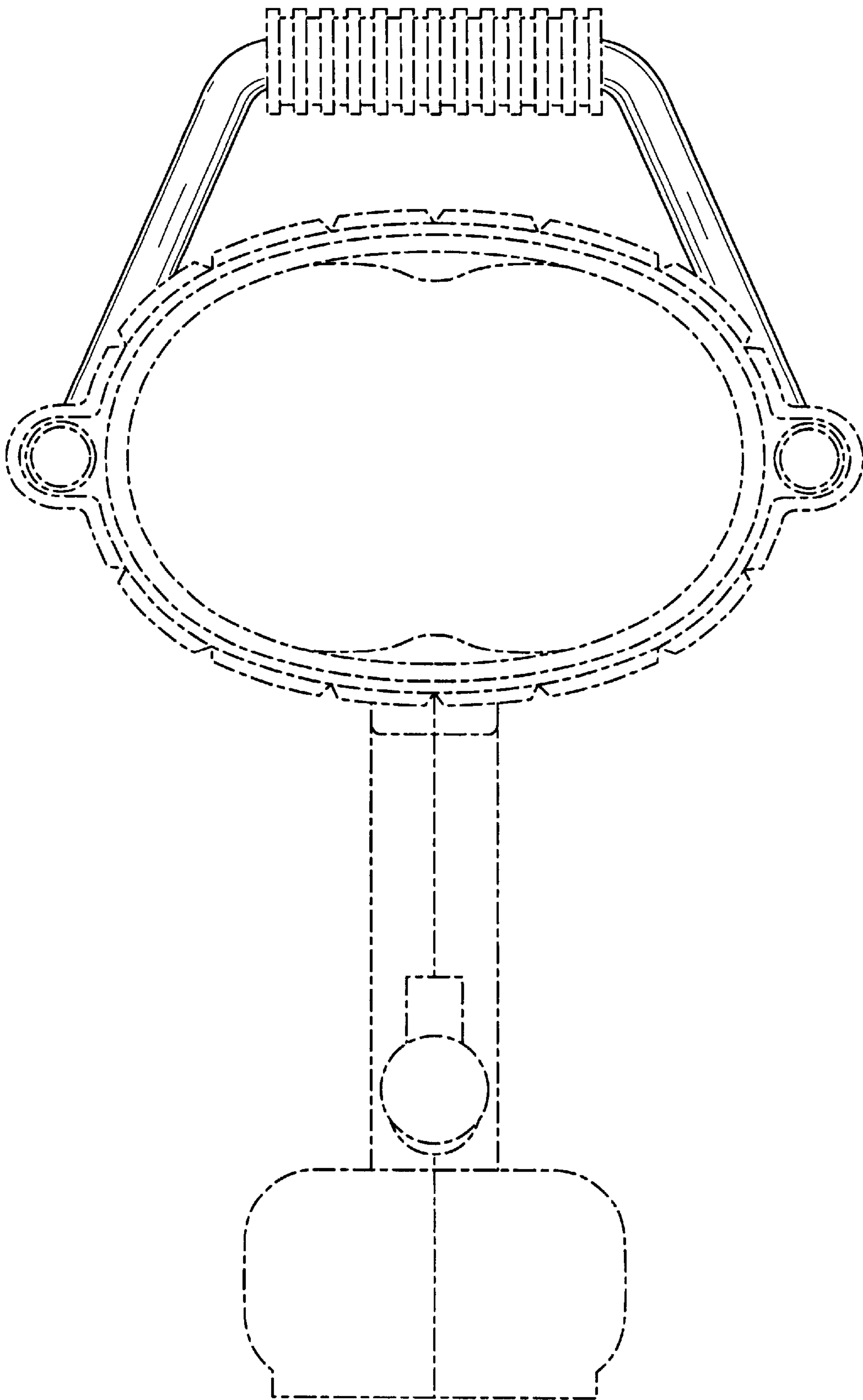


FIG. 9

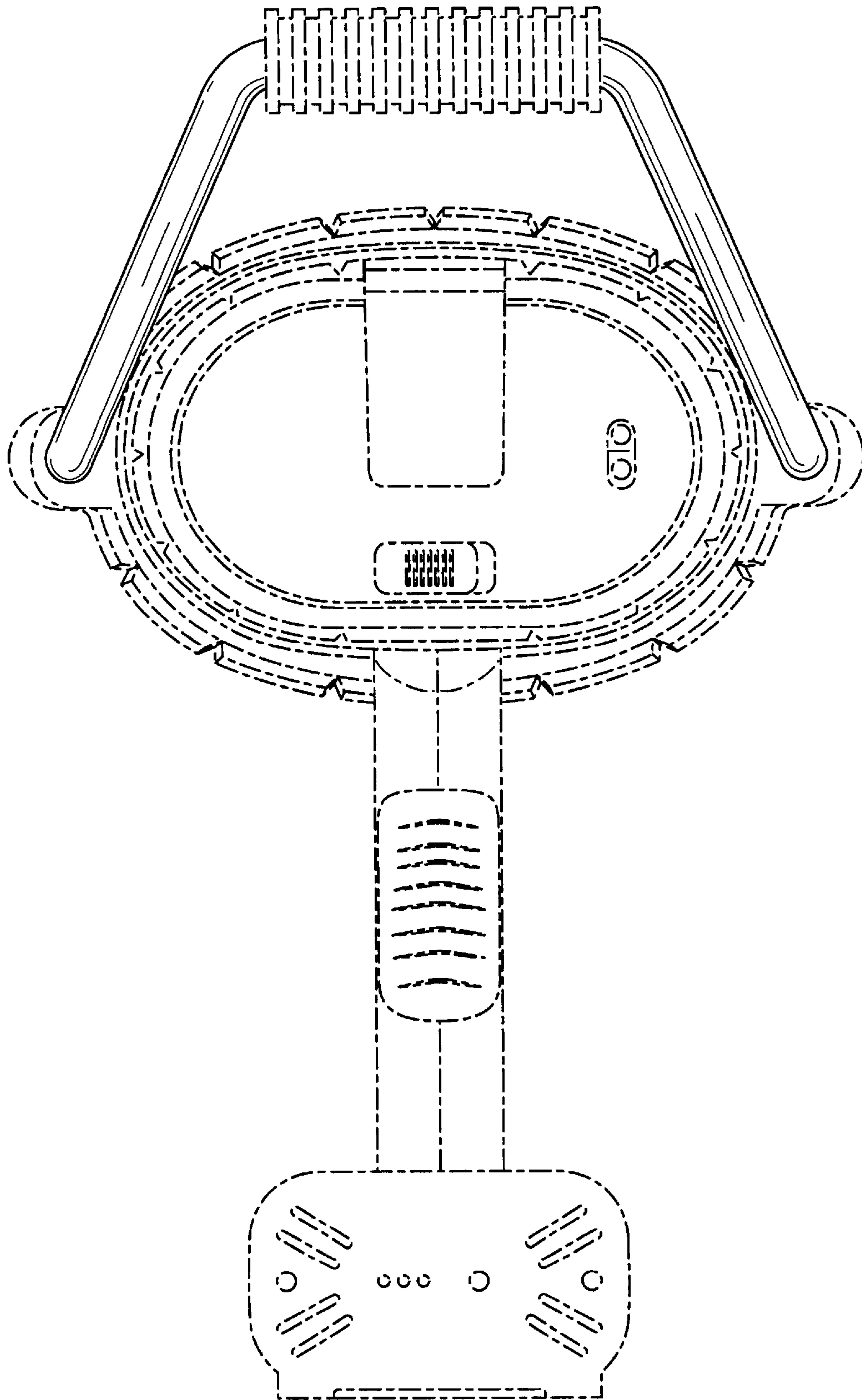


FIG. 10

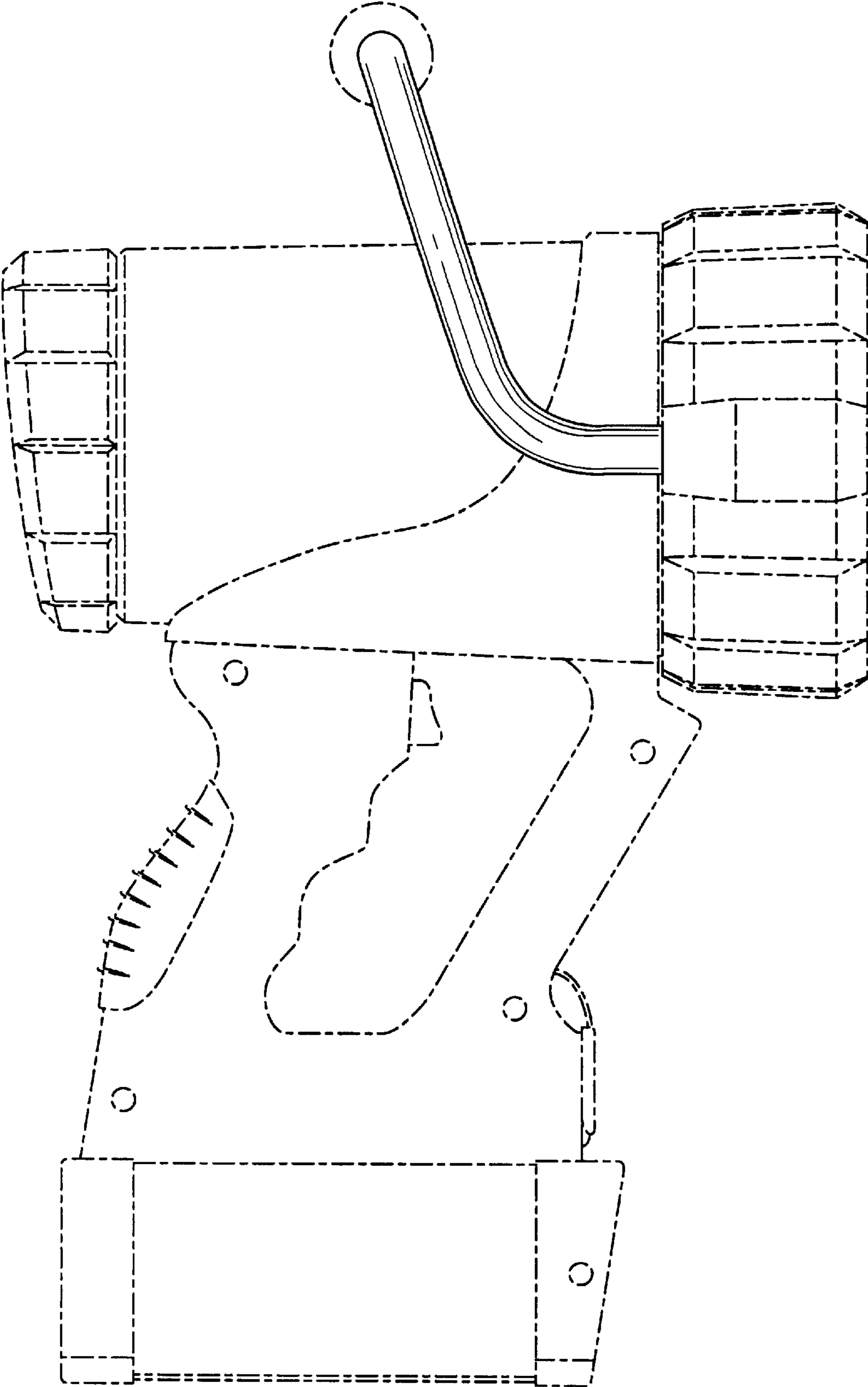


FIG. 11

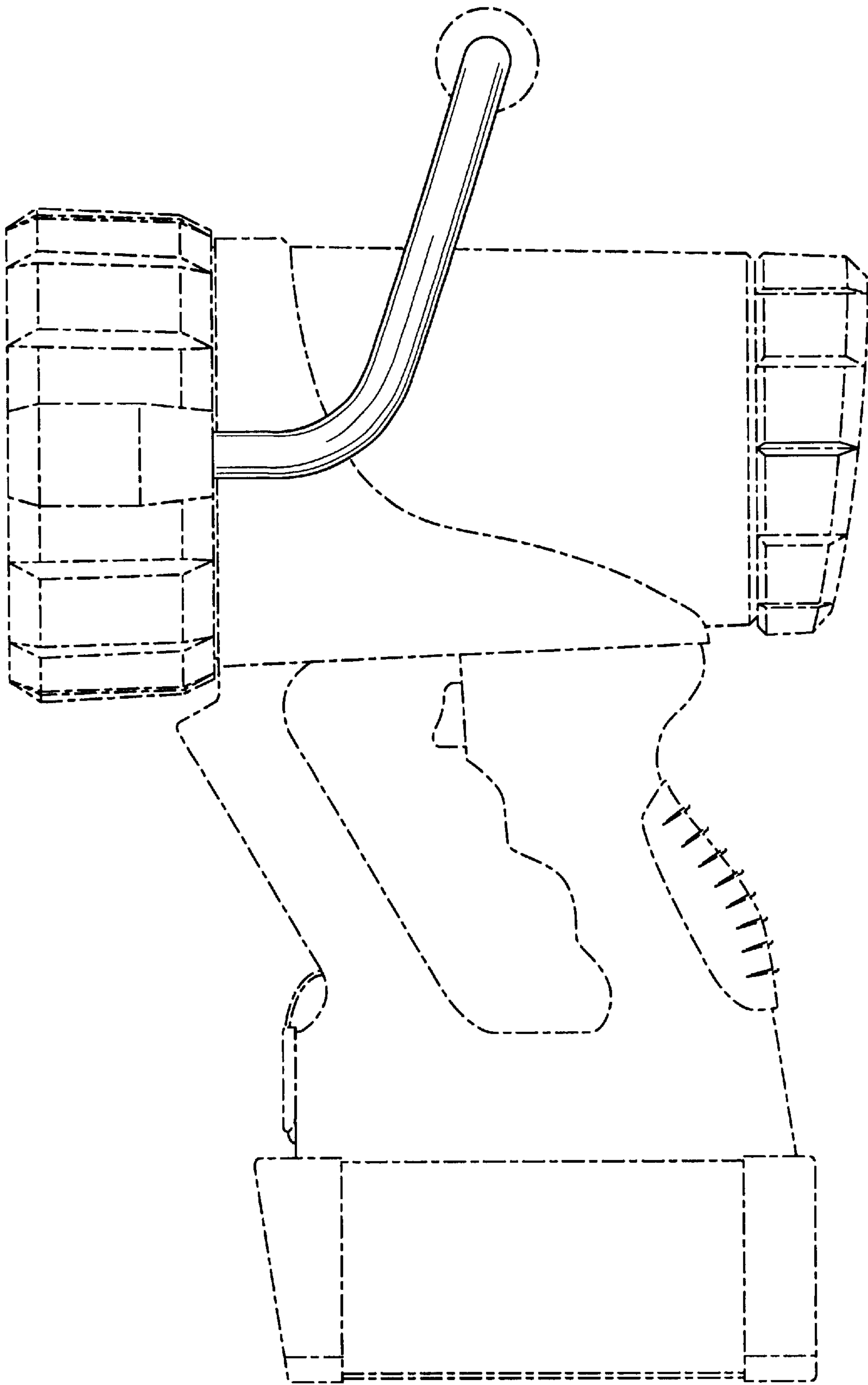


FIG. 12

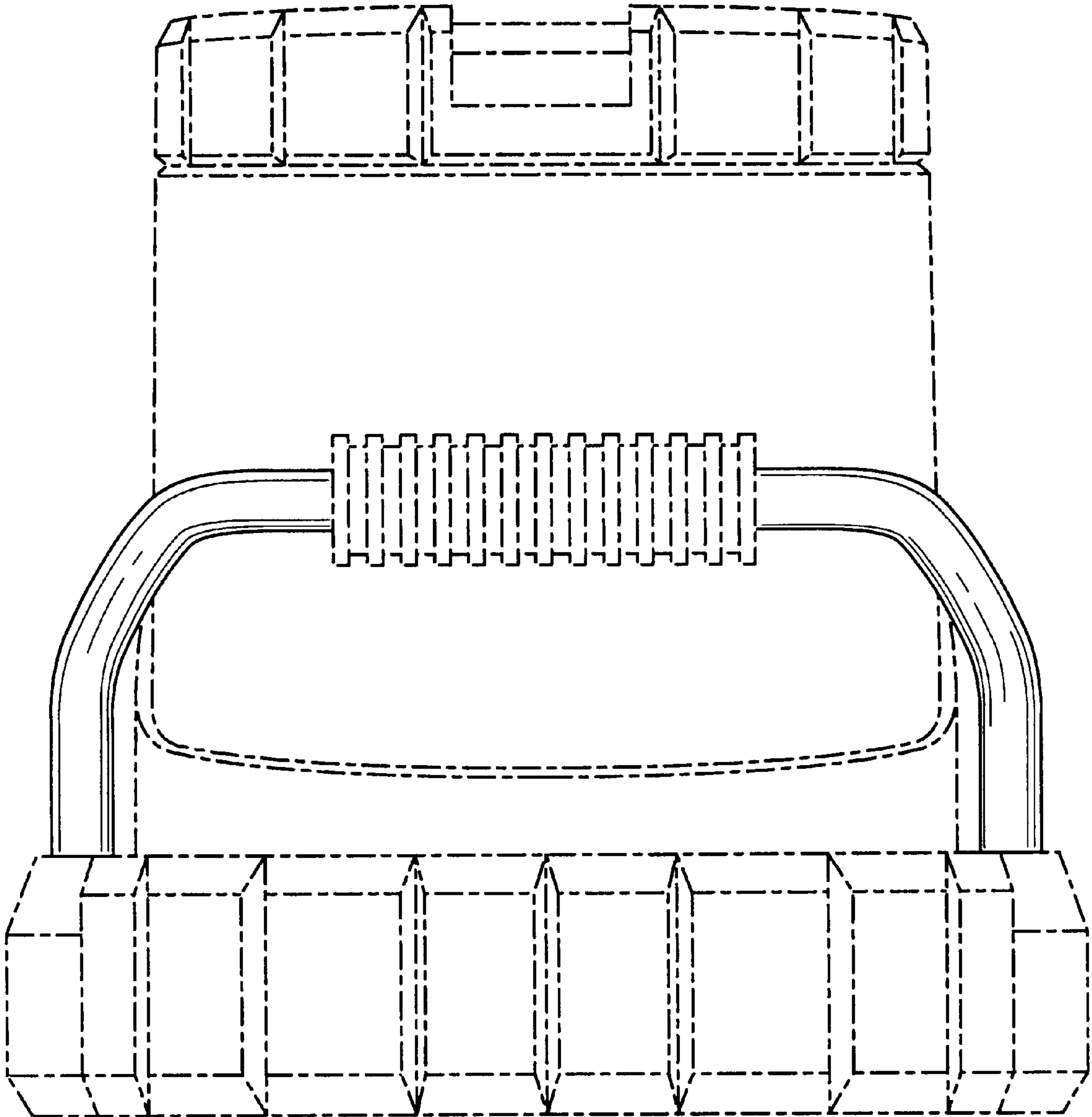


FIG. 13

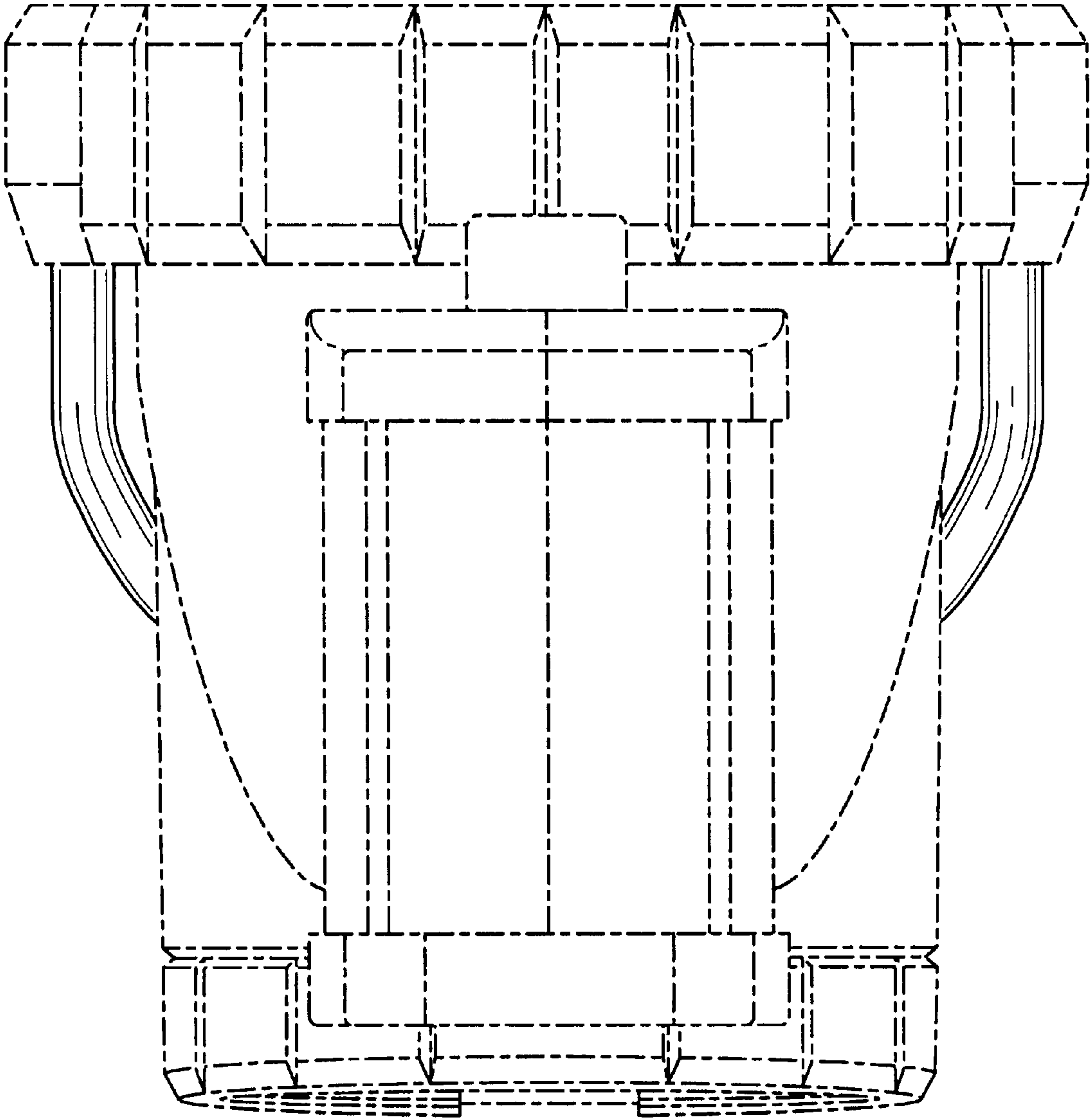


FIG. 14