



US00D522673S

(12) **United States Design Patent**
Yuen

(10) **Patent No.:** **US D522,673 S**

(45) **Date of Patent:** **** Jun. 6, 2006**

(54) **RECHARGEABLE XENON TORCH**

Primary Examiner—Marcus A. Jackson

(76) **Inventor:** **Se Kit Yuen**, 6/F., Yau Lee Centre, 45
Hoi Yuen Road, Kwun Tong, Kowloon,
Hong Kong (CN)

(57) **CLAIM**

The ornamental design for a rechargeable xenon torch, as
shown and described.

(**) **Term:** **14 Years**

DESCRIPTION

(21) **Appl. No.:** **29/223,608**

FIG. 1 is a front view showing my new design.

(22) **Filed:** **Feb. 16, 2005**

FIG. 2 is a rear view thereof.

(51) **LOC (8) Cl.** **26-02**

FIG. 3 is a side end view thereof.

(52) **U.S. Cl.** **D26/37**

FIG. 4 is other side view thereof.

(58) **Field of Classification Search** D26/37-50;
362/157, 158, 171-174, 183-208

FIG. 5 is a plan view thereof.

See application file for complete search history.

FIG. 6 is an underneath view thereof.

FIG. 7 is a front isometric view thereof.

FIG. 8 is a rear isometric view thereof.

(56) **References Cited**

U.S. PATENT DOCUMENTS

D484,996 S	*	1/2004	Krieger et al.	D26/37
D486,256 S	*	2/2004	Yuen	D26/37
D498,014 S	*	11/2004	Cormier et al.	D26/37
D501,267 S	*	1/2005	Kung	D26/37

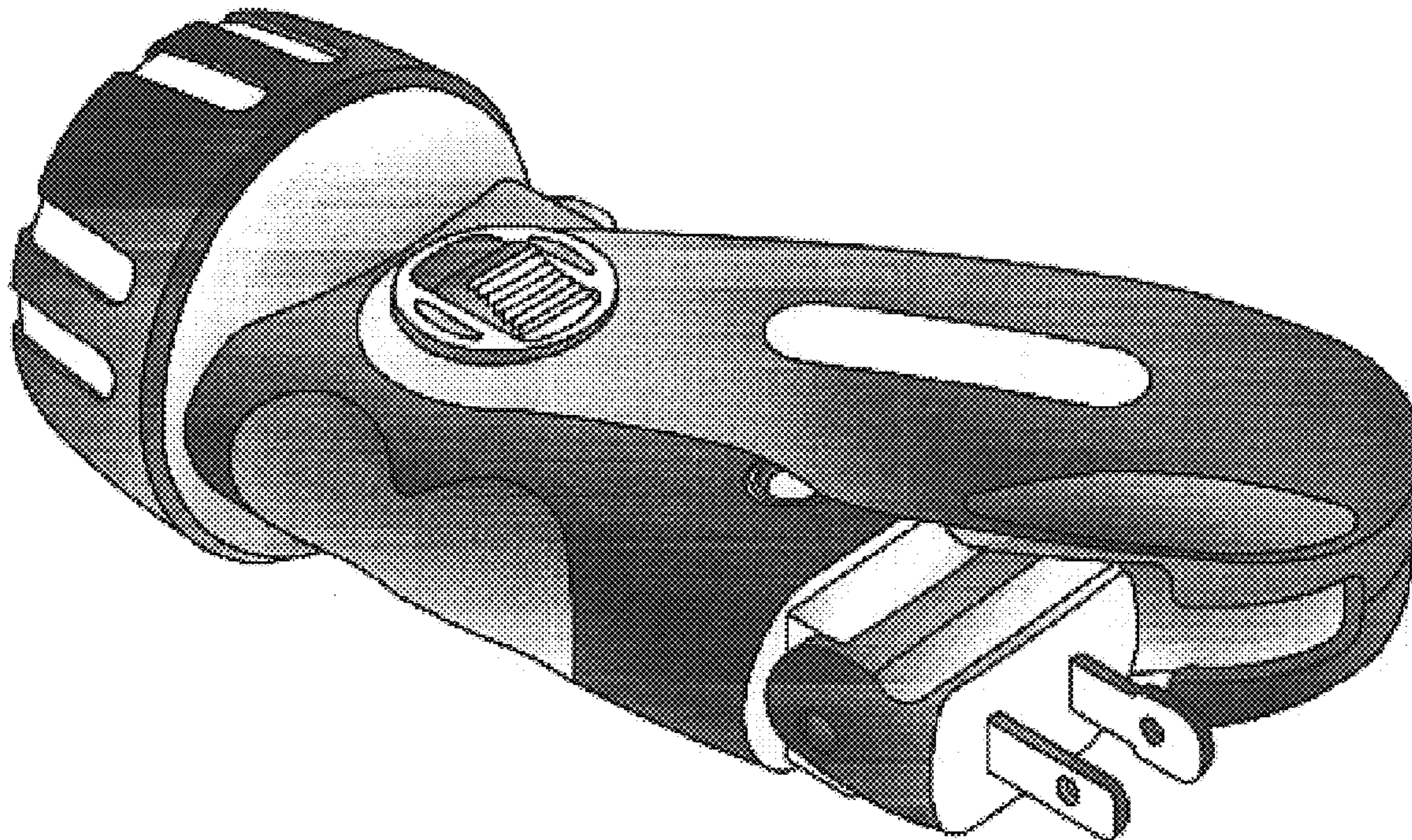
FIG. 9 is a front isometric view with plug showing thereof;
and,

FIG. 10 is a rear isometric view with plug showing thereof.

The surface(s) or portion(s) of the article not shown in the
drawing or described in the specification form(s) no part of
the claimed design.

* cited by examiner

1 Claim, 10 Drawing Sheets



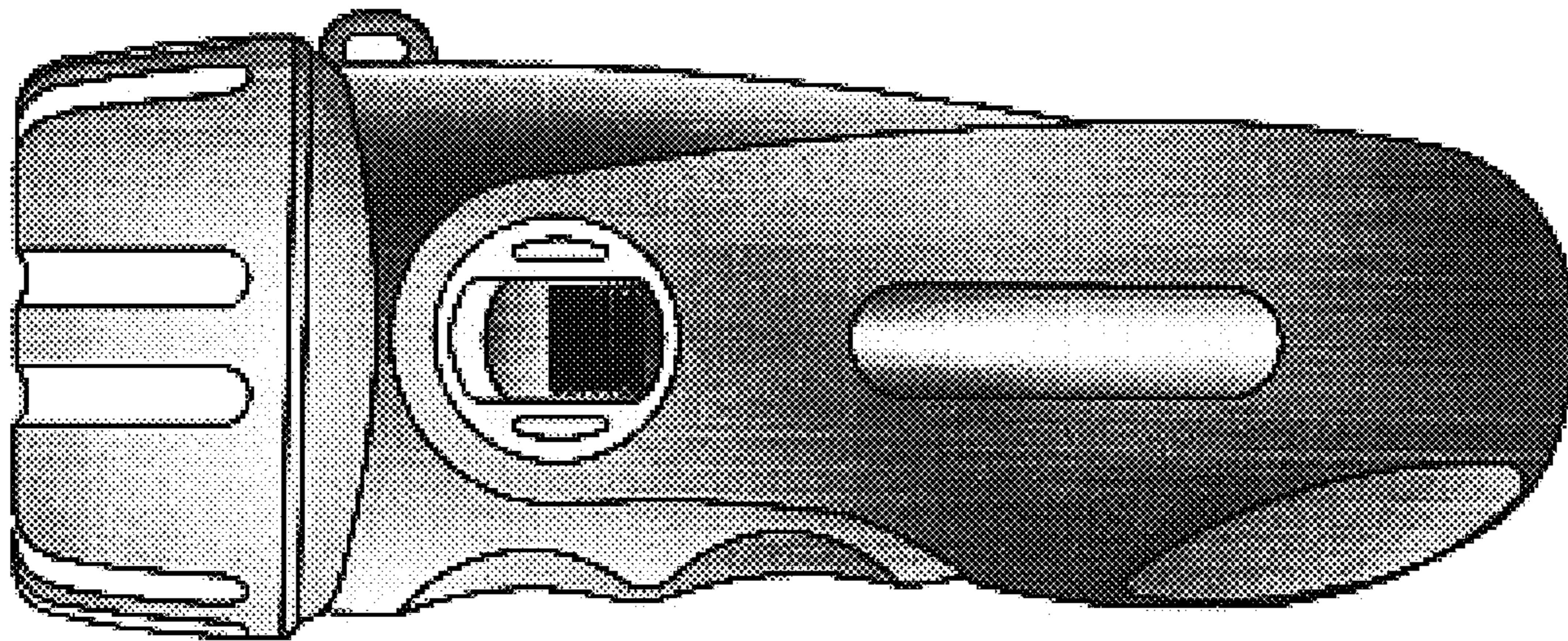


FIG. 1

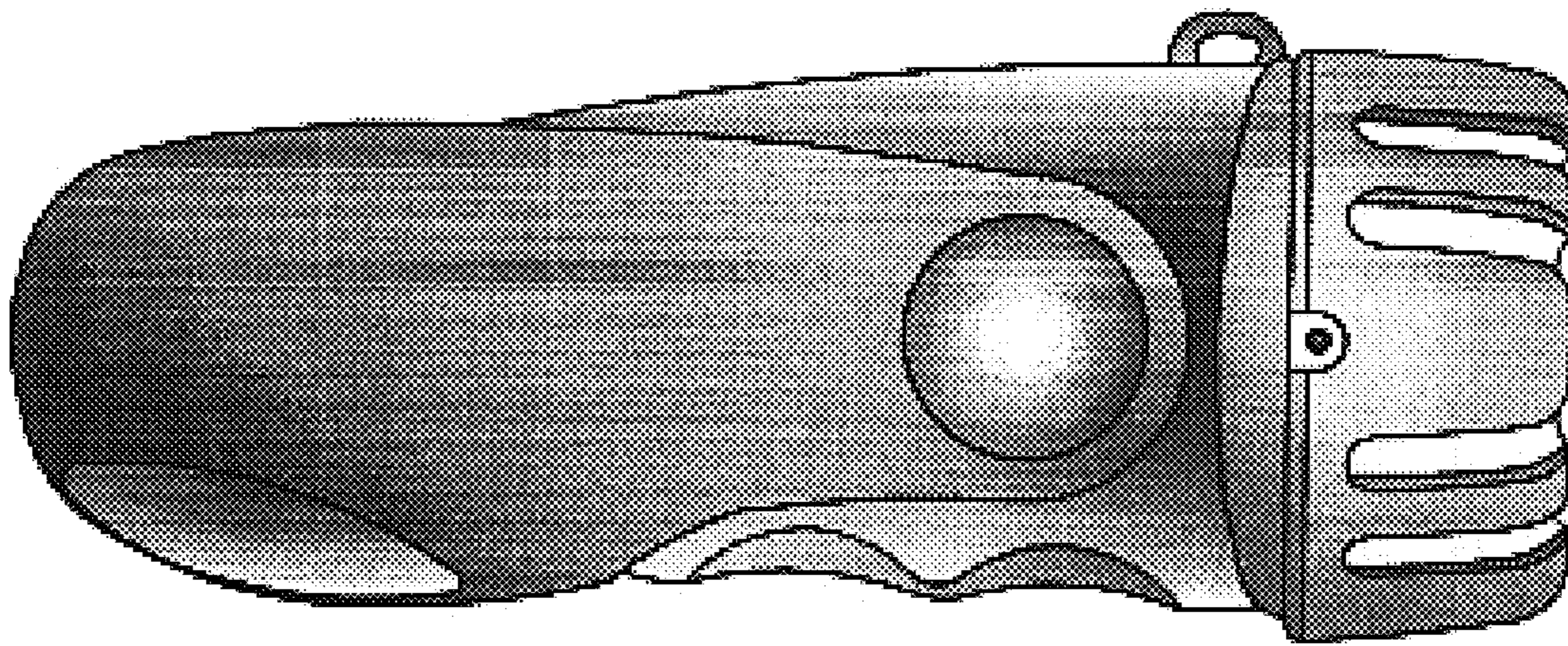


FIG. 2

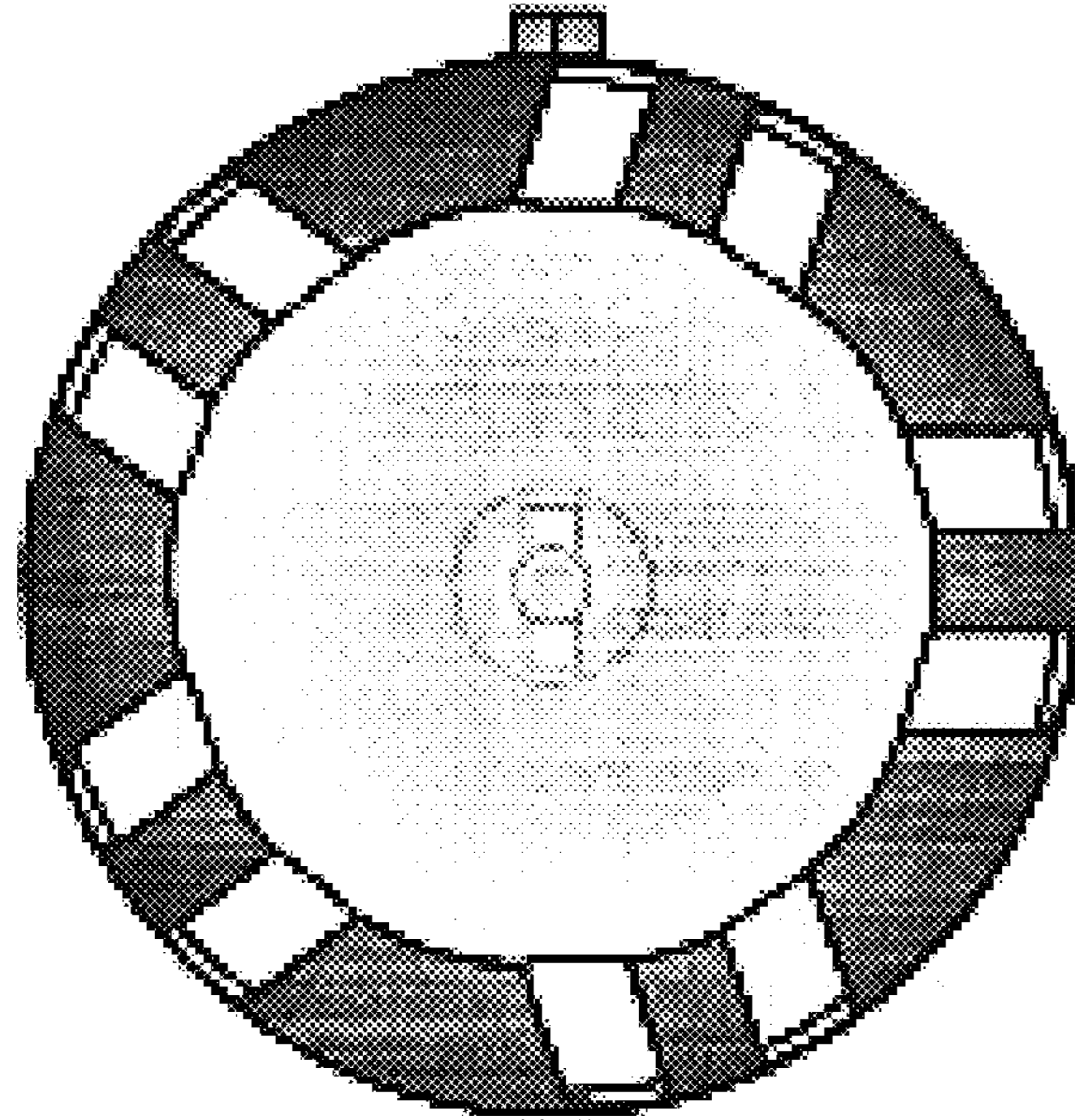


FIG. 3

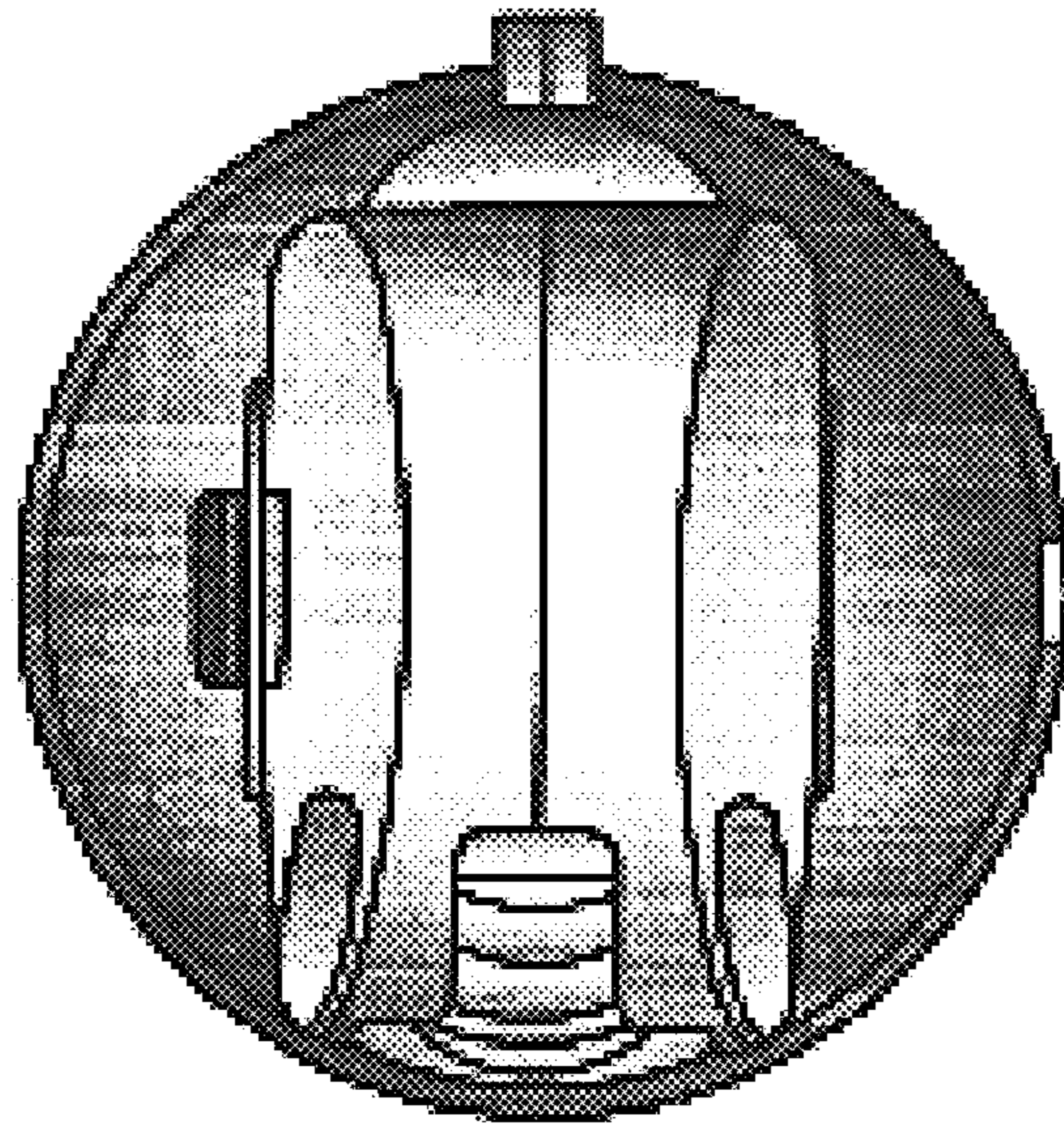


FIG. 4

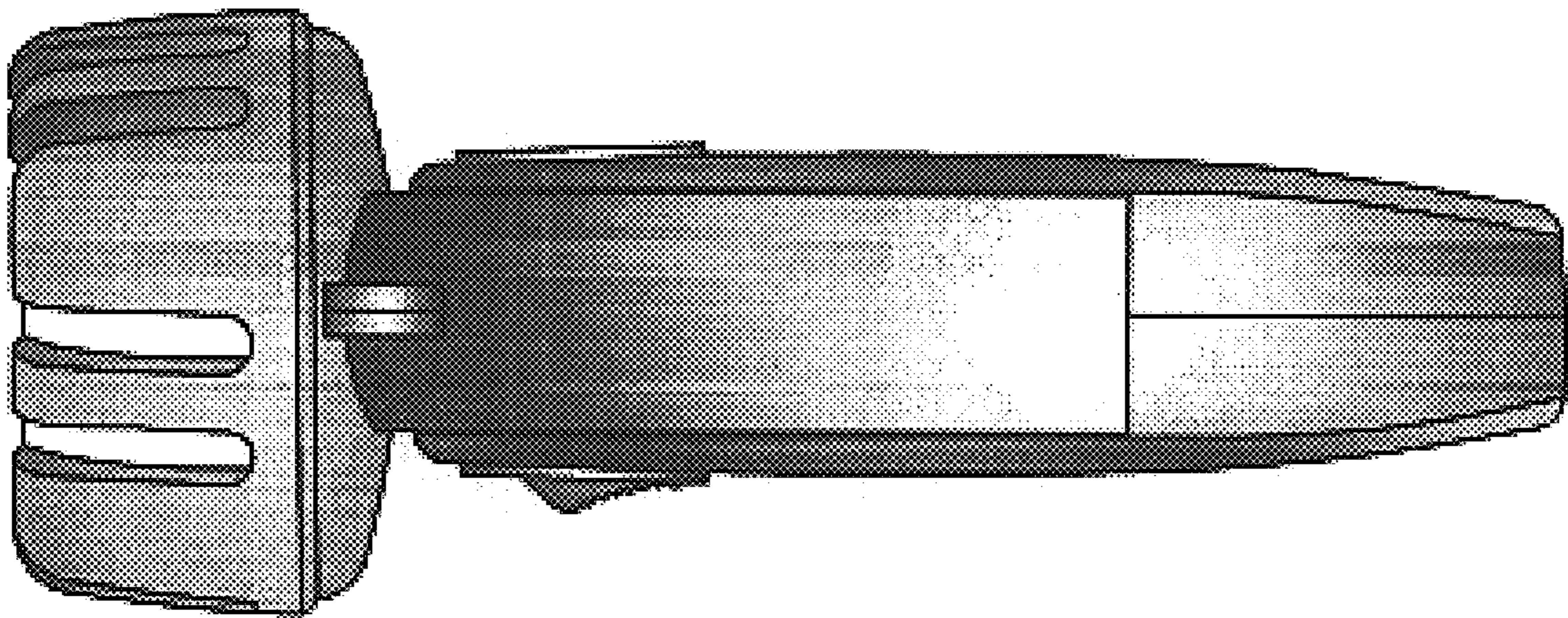


FIG. 5

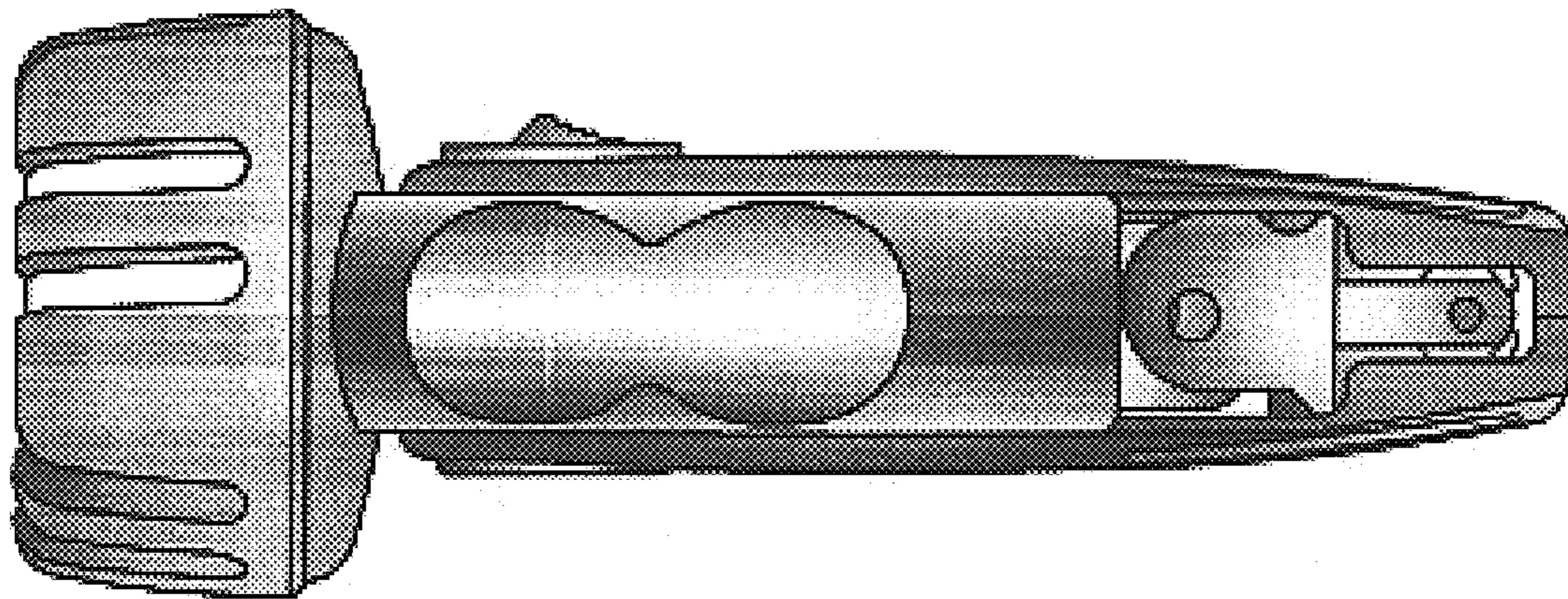


FIG. 6

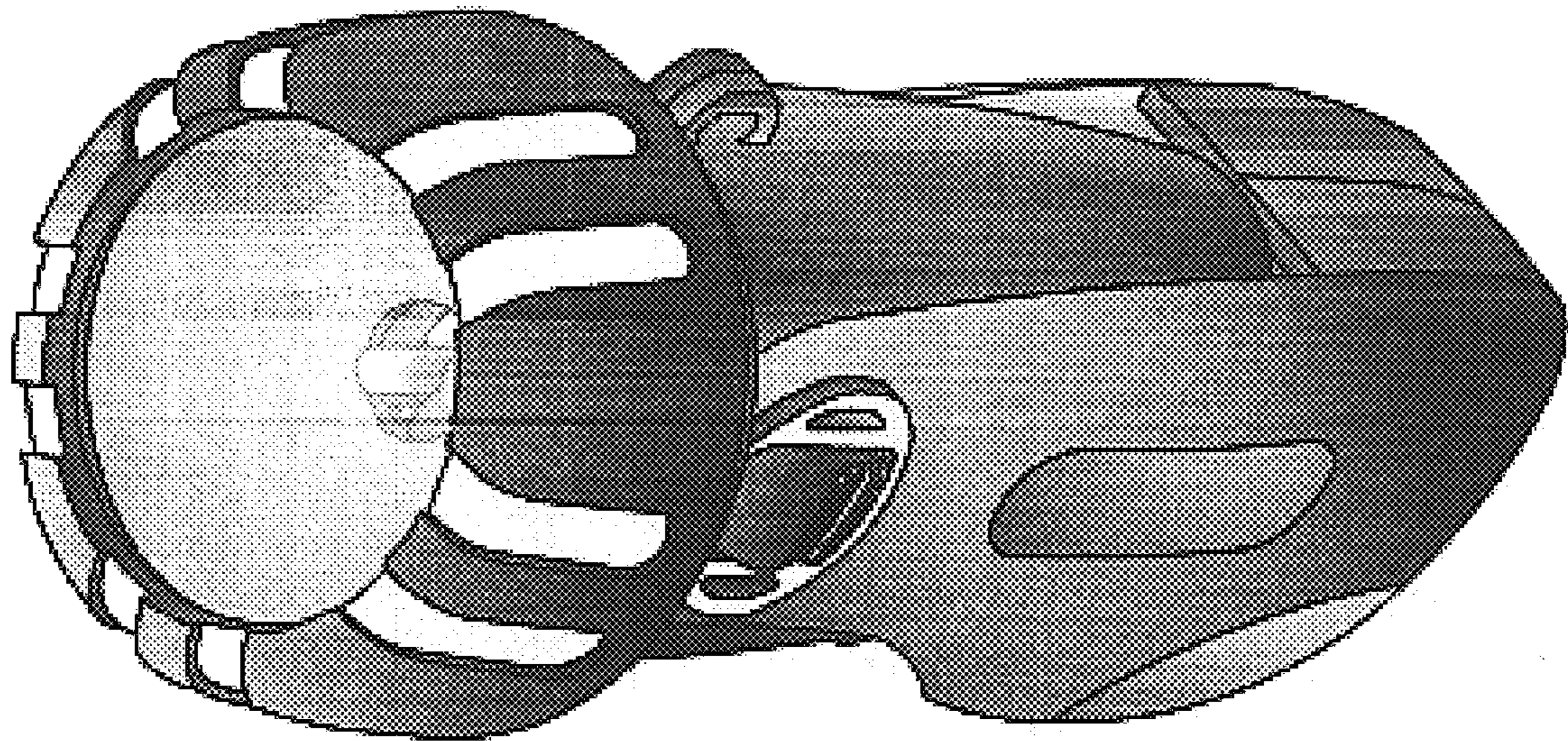


FIG. 7

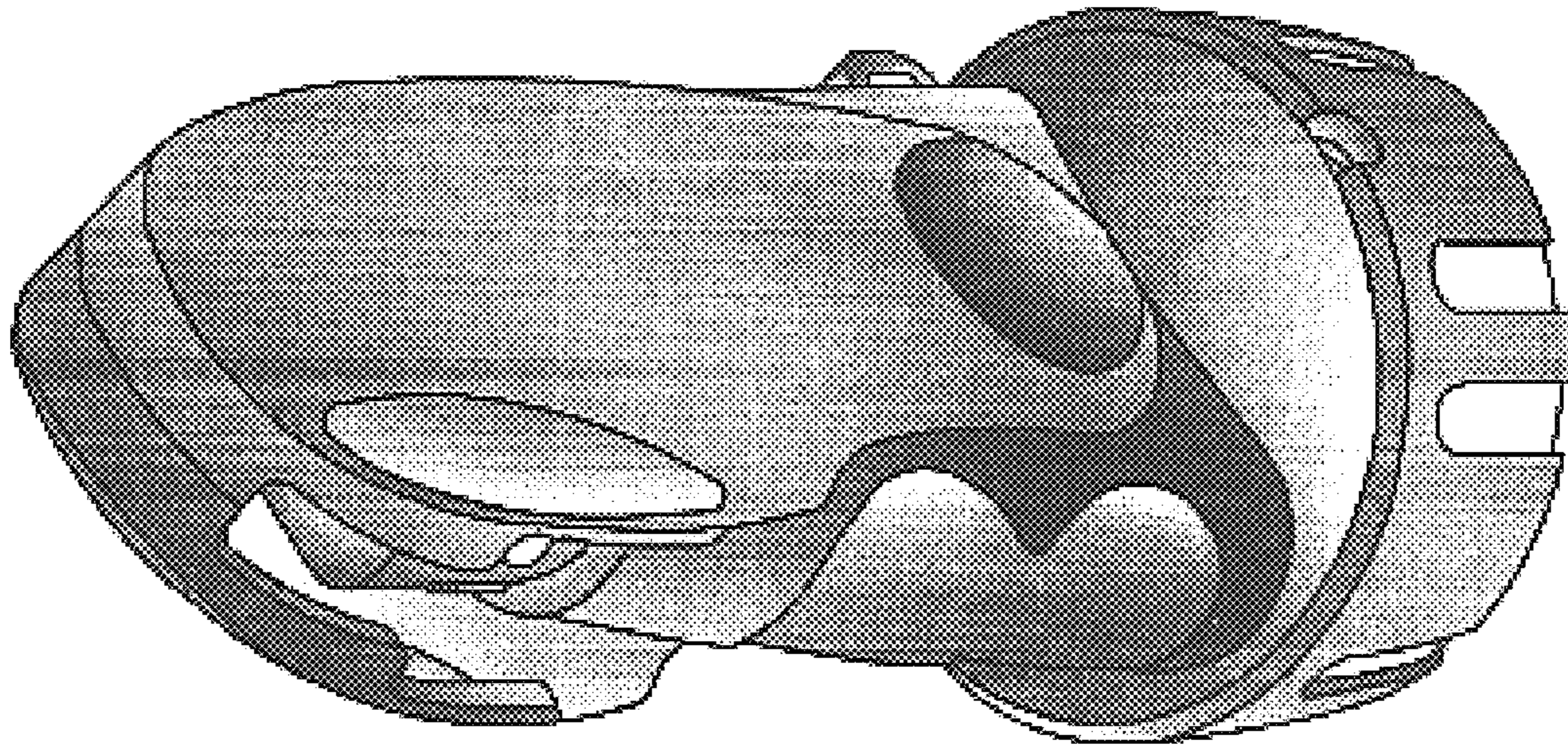


Fig. 8

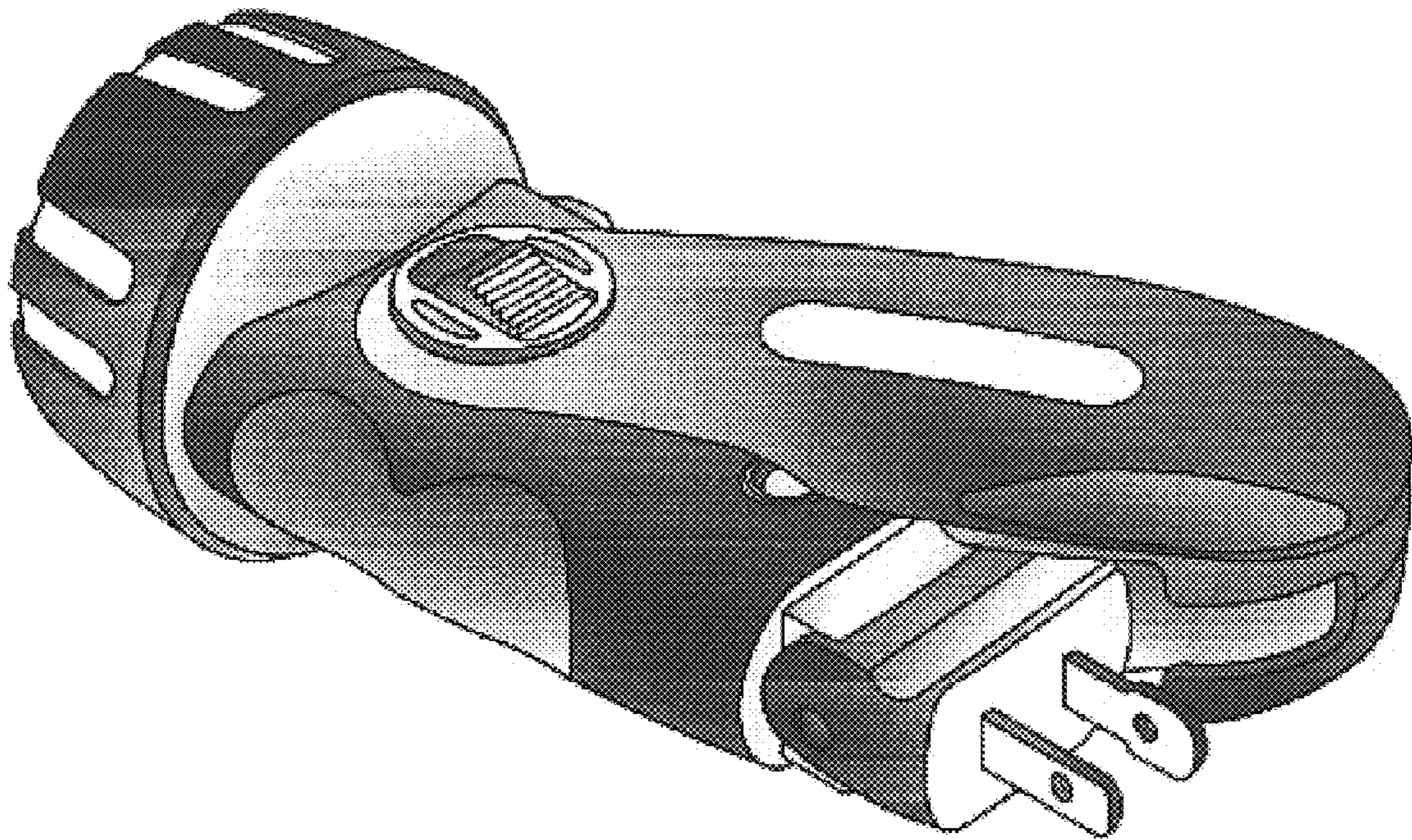


Fig. 9

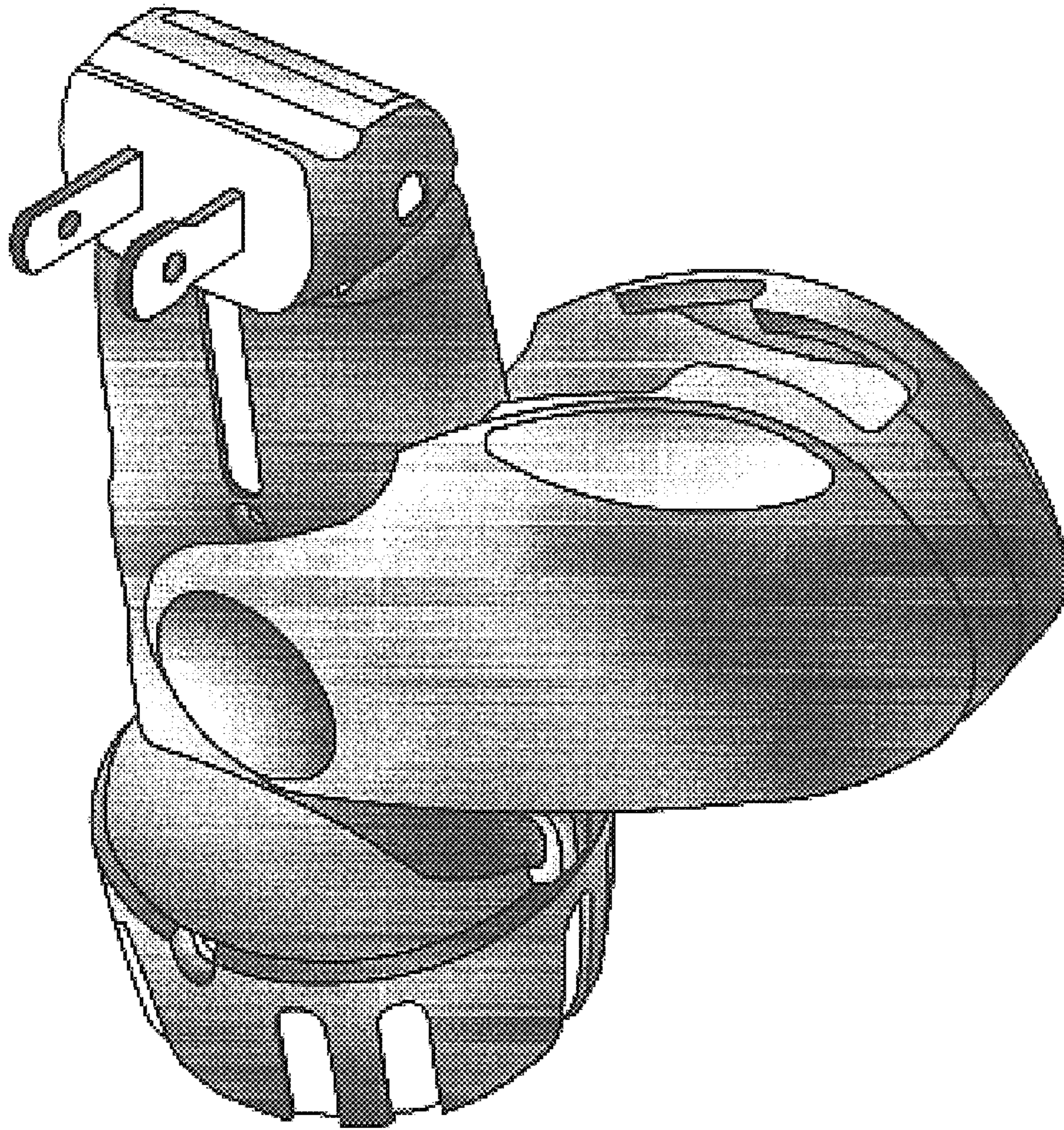


Fig. 10