



US00D522672S

(12) **United States Design Patent**
Hirai et al.

(10) **Patent No.:** **US D522,672 S**
(45) **Date of Patent:** **** Jun. 6, 2006**

(54) **LAMP ASSEMBLY FOR AUTOMOBILE**

(75) Inventors: **Kenichi Hirai**, Aichi-ken (JP); **Keisuke Sakamoto**, Aichi-ken (JP)

(73) Assignee: **Toyota Jidosha Kabushiki Kaisha**, Aichi-ken (JP)

(**) Term: **14 Years**

(21) Appl. No.: **29/224,212**

(22) Filed: **Feb. 25, 2005**

(51) **LOC (8) Cl.** **26-06**

(52) **U.S. Cl.** **D26/28**

(58) **Field of Classification Search** D26/28-36;
362/459-468, 475-478, 485-487
See application file for complete search history.

(56) **References Cited**

U.S. PATENT DOCUMENTS

D502,560 S	*	3/2005	Kushima	D26/28
D508,137 S	*	8/2005	Numata	D26/28
D509,311 S	*	9/2005	Tomida	D26/28

OTHER PUBLICATIONS

Motor Fan, Additional Volume—All Motor Show, PEUGEOT 407, Nov. 19, 2004, p. 58, Mfg. Peugeot.

* cited by examiner

Primary Examiner—Marcus A. Jackson

(74) *Attorney, Agent, or Firm*—Finnegan, Henderson, Farabow, Garrett & Dunner, L.L.P.

(57) **CLAIM**

The ornamental design for a lamp assembly for automobile, as shown and described.

DESCRIPTION

FIG. 1 is a front view of a lamp assembly for automobile of our new design;

FIG. 2 is a rear view thereof;

FIG. 3 is a front, perspective view thereof;

FIG. 4 is a top view thereof;

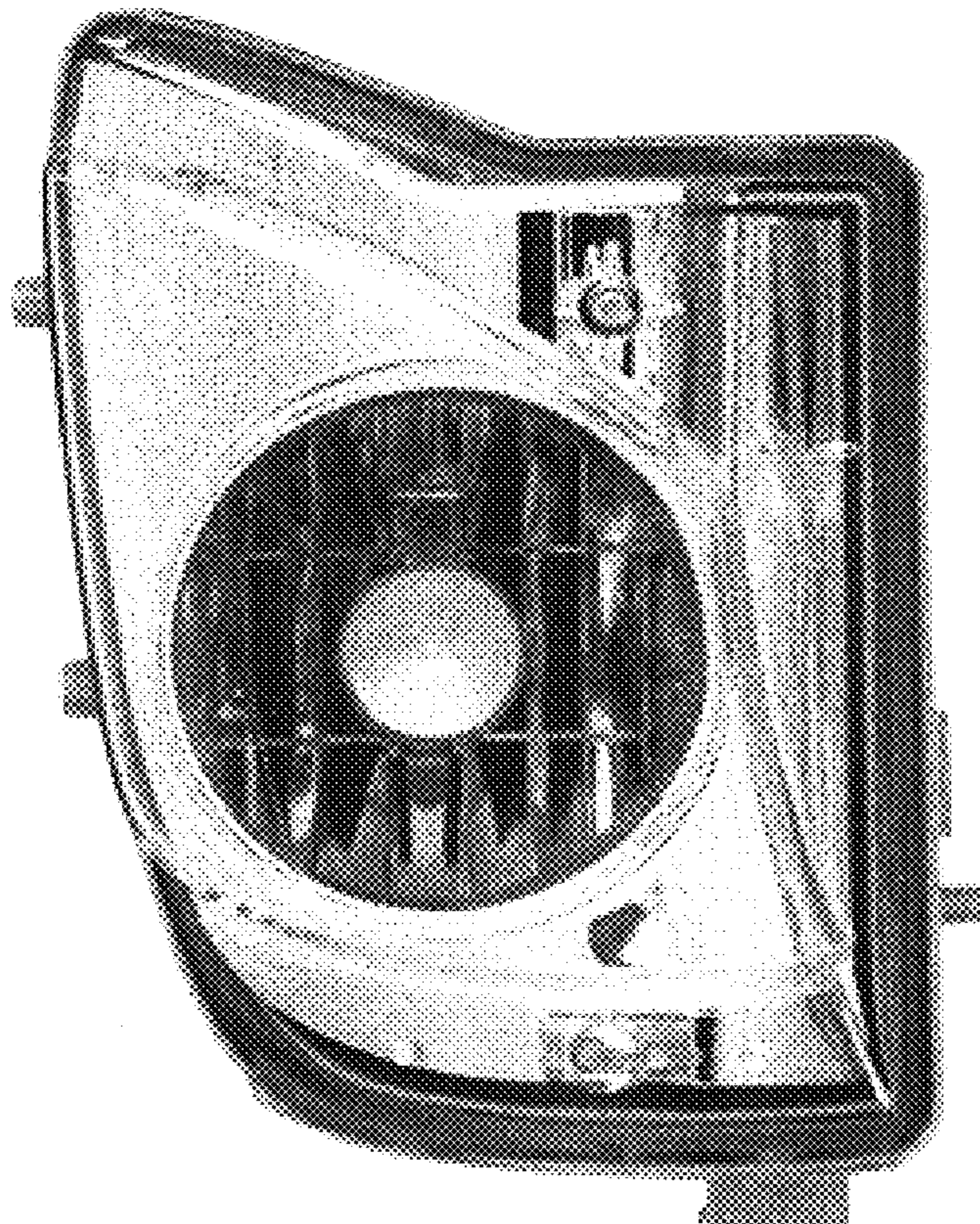
FIG. 5 is a bottom view thereof;

FIG. 6 is a left-side view thereof; and,

FIG. 7 is a right-side view thereof.

Our design includes the mirror image of the embodiment depicted.

1 Claim, 4 Drawing Sheets



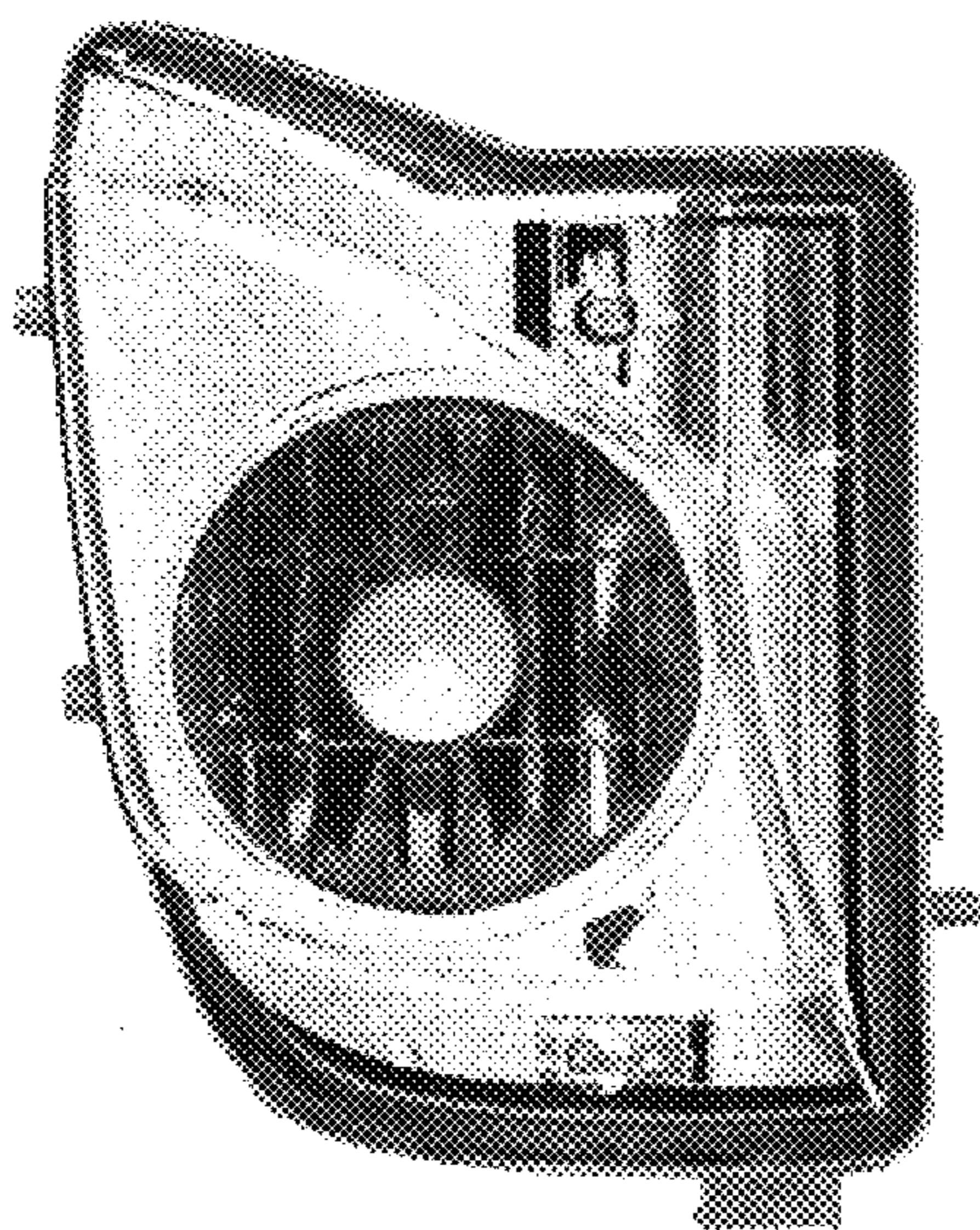


FIG. 1

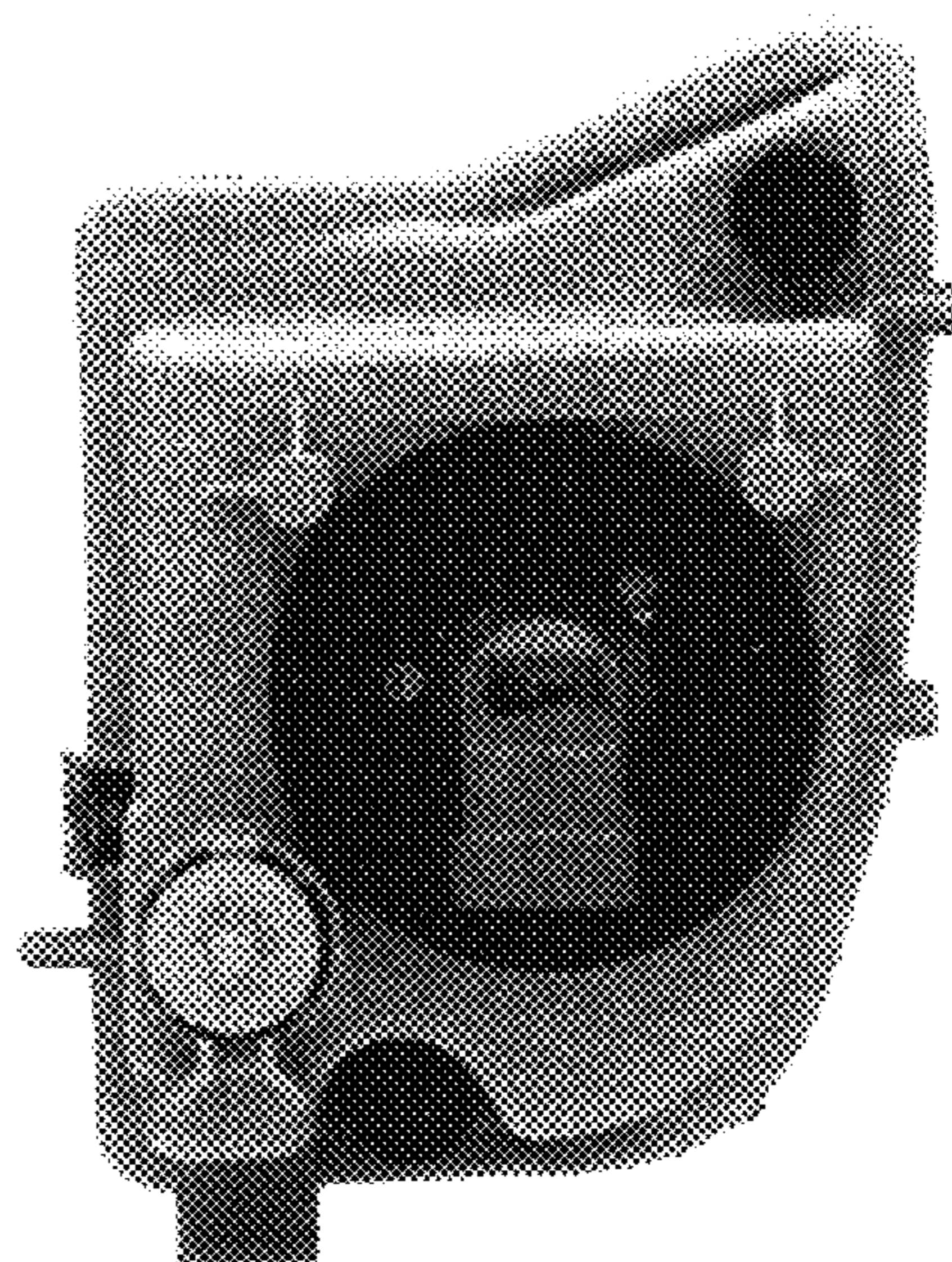


FIG. 2

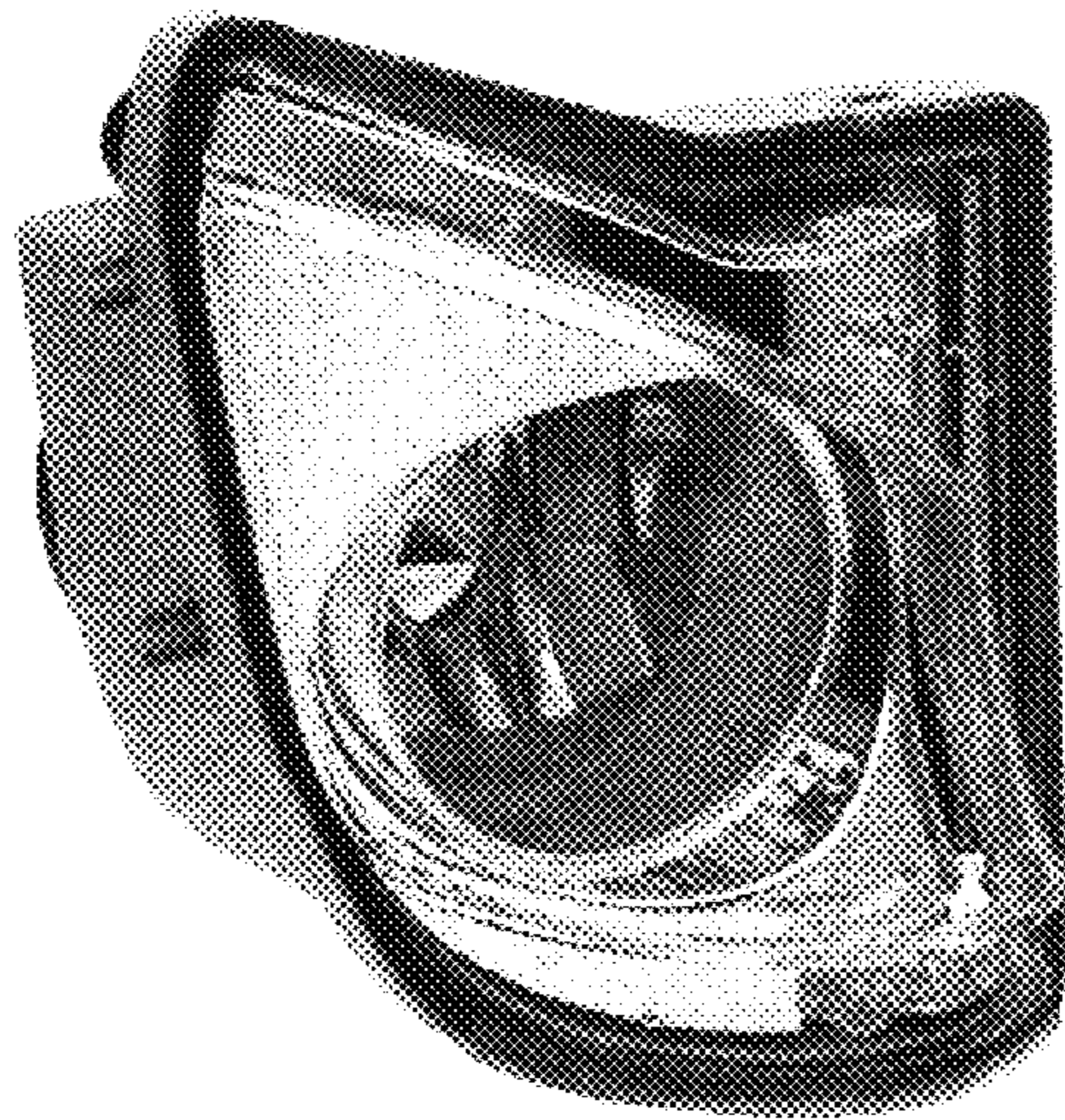


FIG. 3

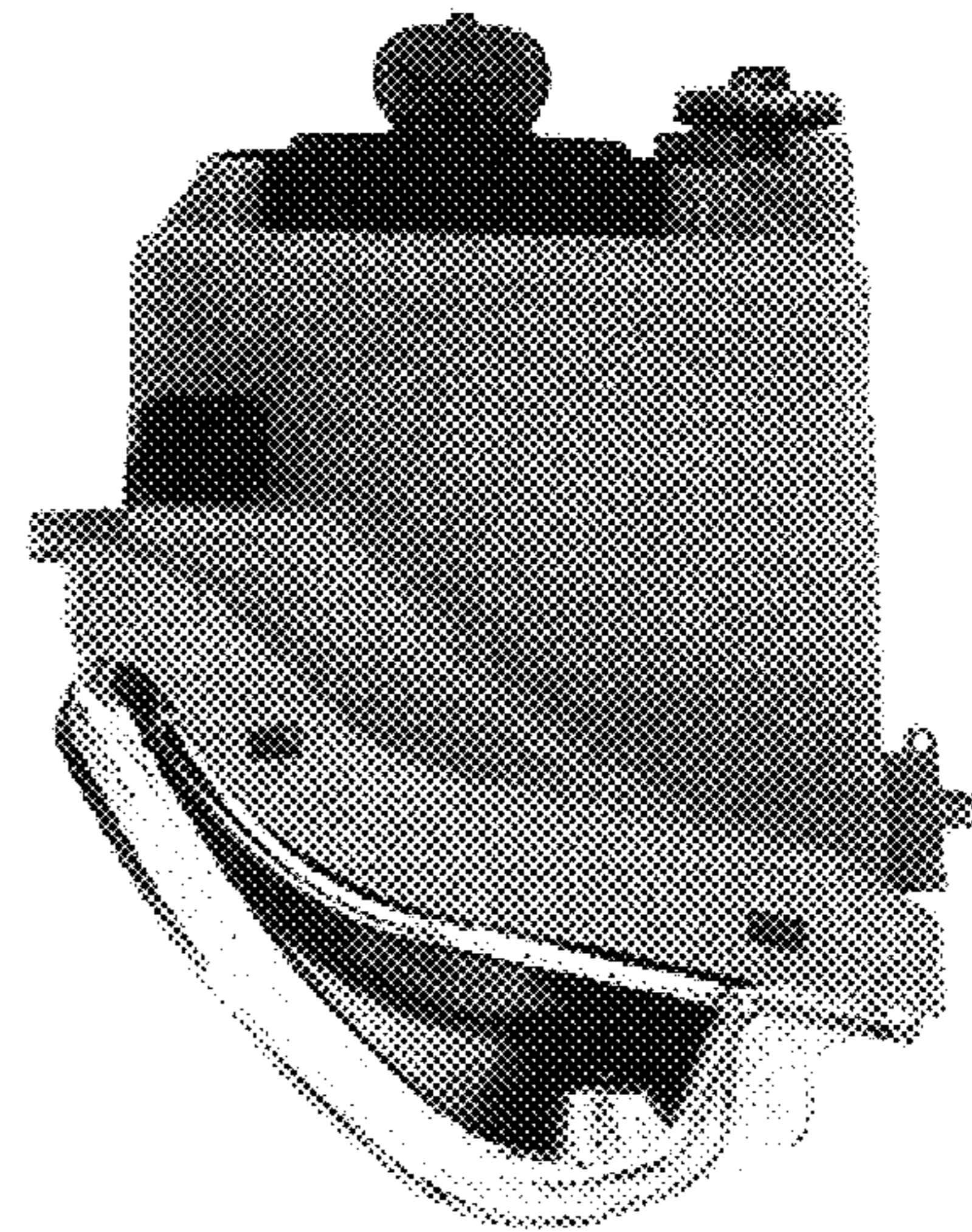


FIG. 4

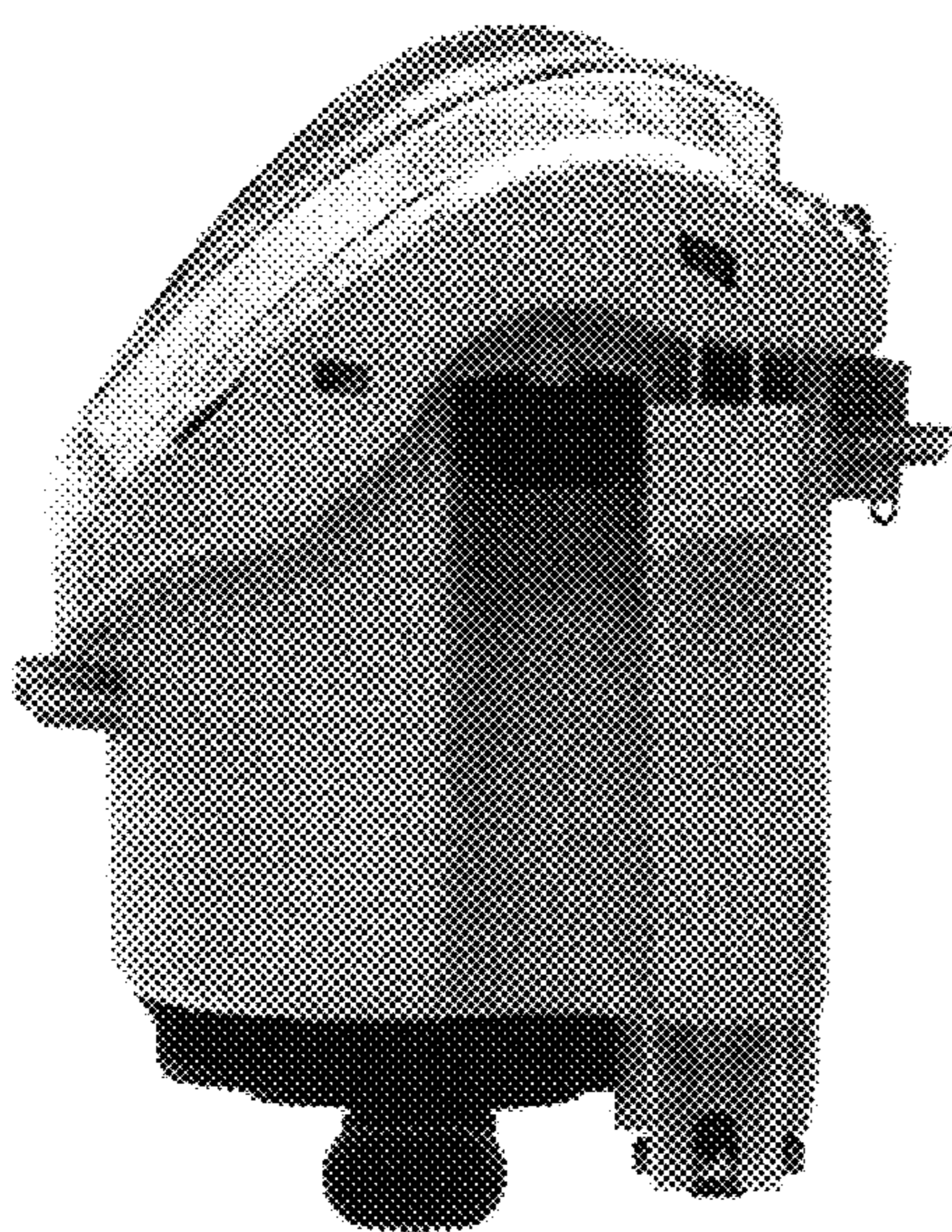


FIG. 5

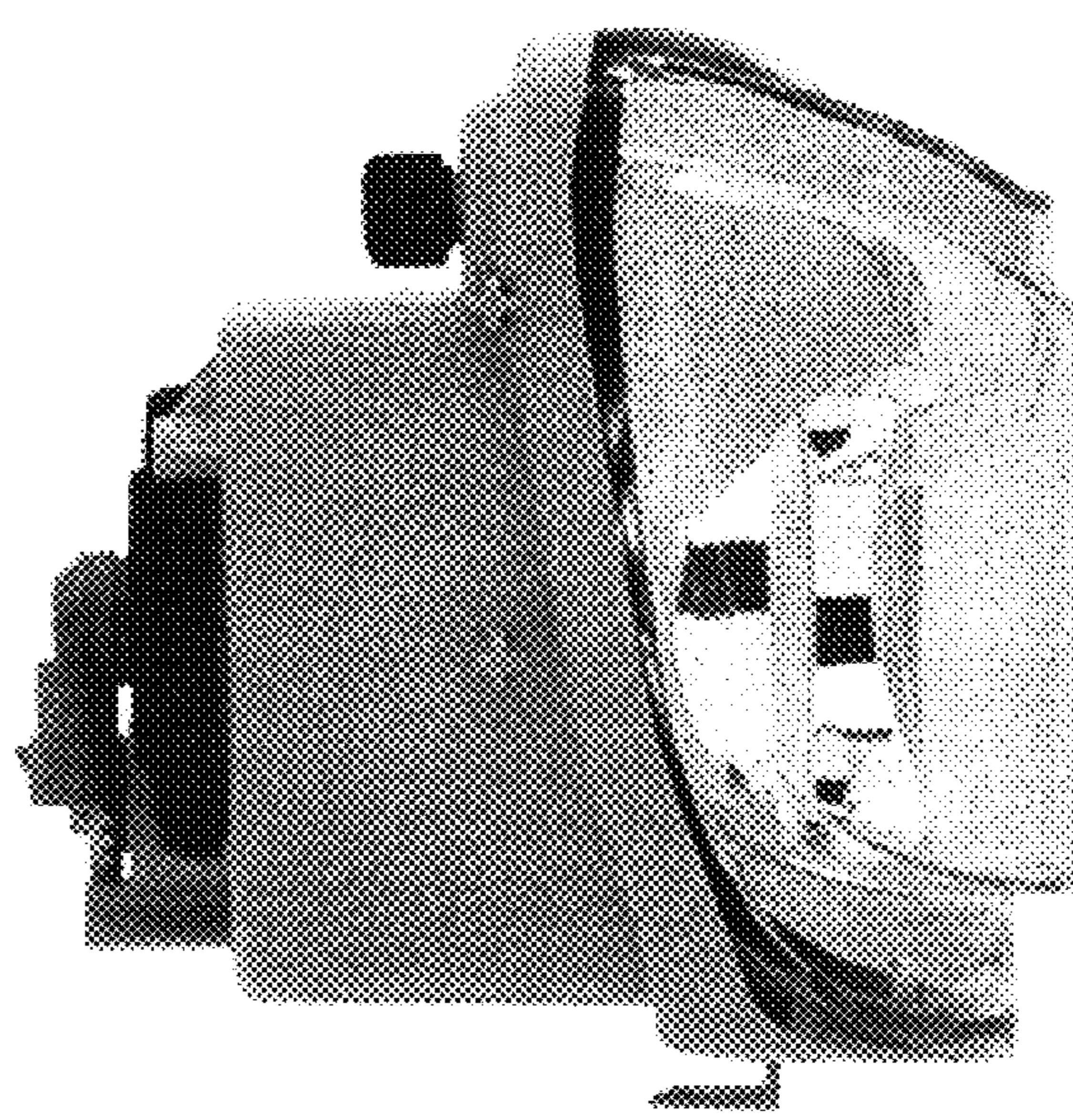


FIG. 6

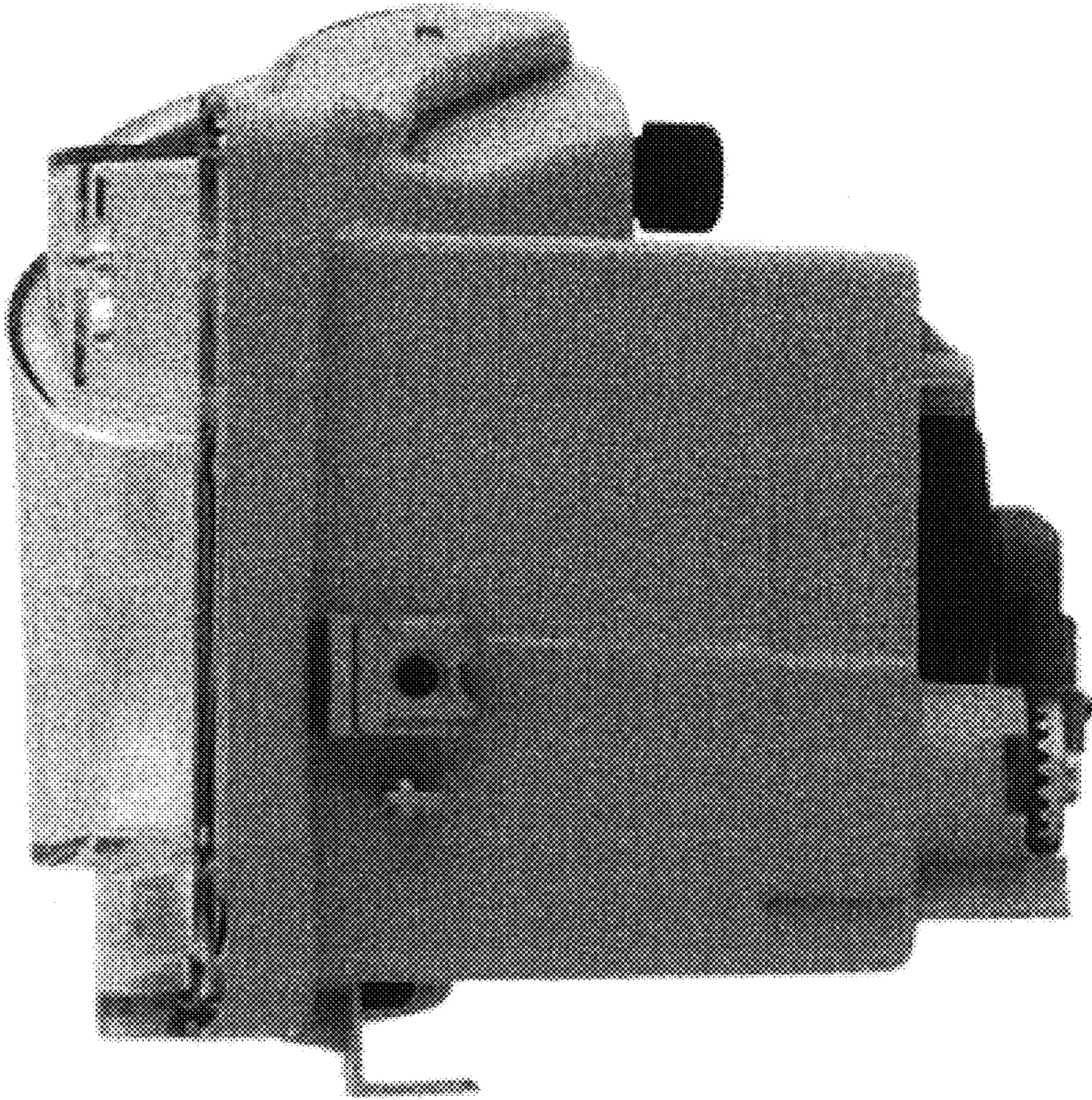


FIG. 7