



US00D522666S

(12) **United States Design Patent**
Clayton, Jr.

(10) **Patent No.:** **US D522,666 S**
(45) **Date of Patent:** **** Jun. 6, 2006**

(54) **STAND MOUNTABLE ON LADDER**

(76) **Inventor:** **Charles R. Clayton, Jr.**, 5529 Pitt St.,
New Orleans, LA (US) 70115

(**) **Term:** **14 Years**

(21) **Appl. No.:** **29/215,947**

(22) **Filed:** **Oct. 27, 2004**

(51) **LOC (8) Cl.** **25-04**

(52) **U.S. Cl.** **D25/62**

(58) **Field of Classification Search** D25/62;
182/115, 112, 113, 116, 119, 187, 222
See application file for complete search history.

(56) **References Cited**

U.S. PATENT DOCUMENTS

1,474,250	A	*	11/1923	Folliard	182/123
3,434,566	A	*	3/1969	Miller	182/15
D261,178	S	*	10/1981	Reinhard	D25/62
5,480,002	A	*	1/1996	Kerr	182/38

* cited by examiner

Primary Examiner—Doris Clark

(74) *Attorney, Agent, or Firm*—Keaty Professional Law Corporation

(57) **CLAIM**

The ornamental design for a stand mountable on a ladder, as shown and described.

DESCRIPTION

FIG. 1 is a perspective view of my new ornamental design for a stand mountable on a ladder.

FIG. 2 is a front view of the stand mountable on a ladder shown in FIG. 1.

FIG. 3 is a back view of the stand mountable on a ladder shown in FIGS. 1 and 2.

FIG. 4 is a right side view of the stand mountable on a ladder shown in FIGS. 1–3.

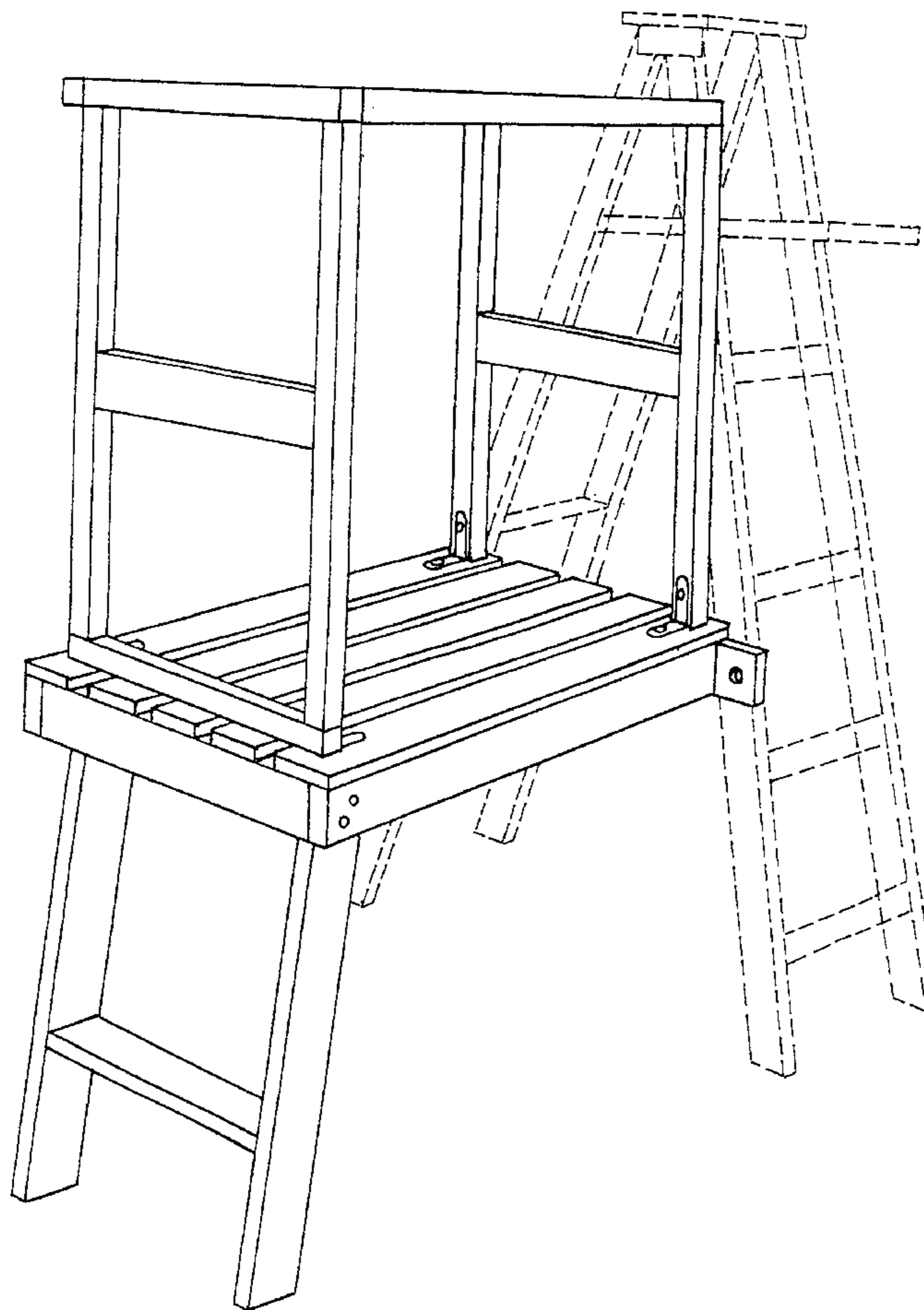
FIG. 5 is a left side view of the stand mountable on a ladder shown in FIGS. 1–4.

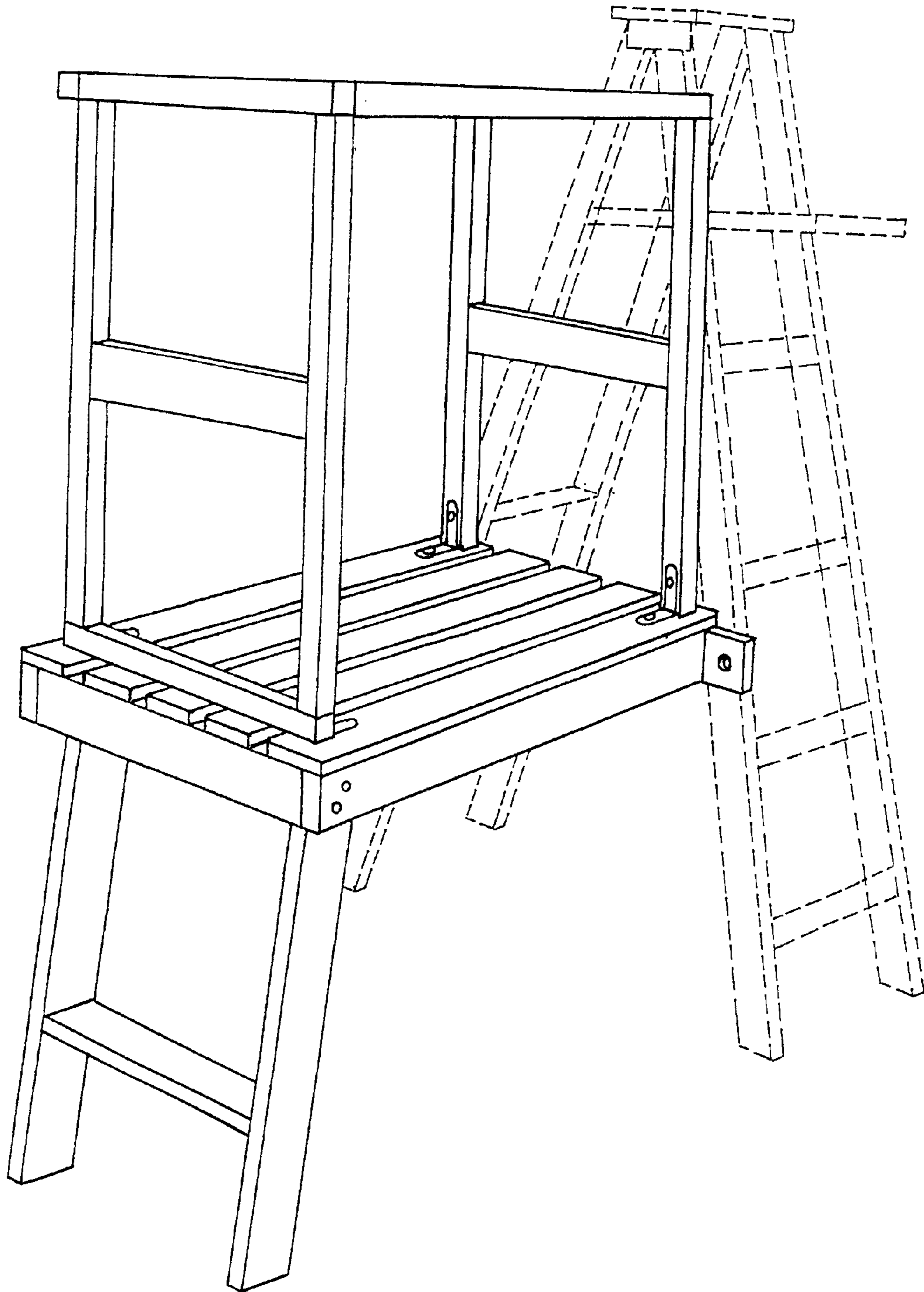
FIG. 6 is a bottom view of the stand mountable on a ladder shown in FIGS. 1–5; and,

FIG. 7 is a top view of the stand mountable on a ladder shown in FIGS. 1–6.

The broken lines are for illustrative purposes only and form no part of the claimed design.

1 Claim, 4 Drawing Sheets





F I G . 1

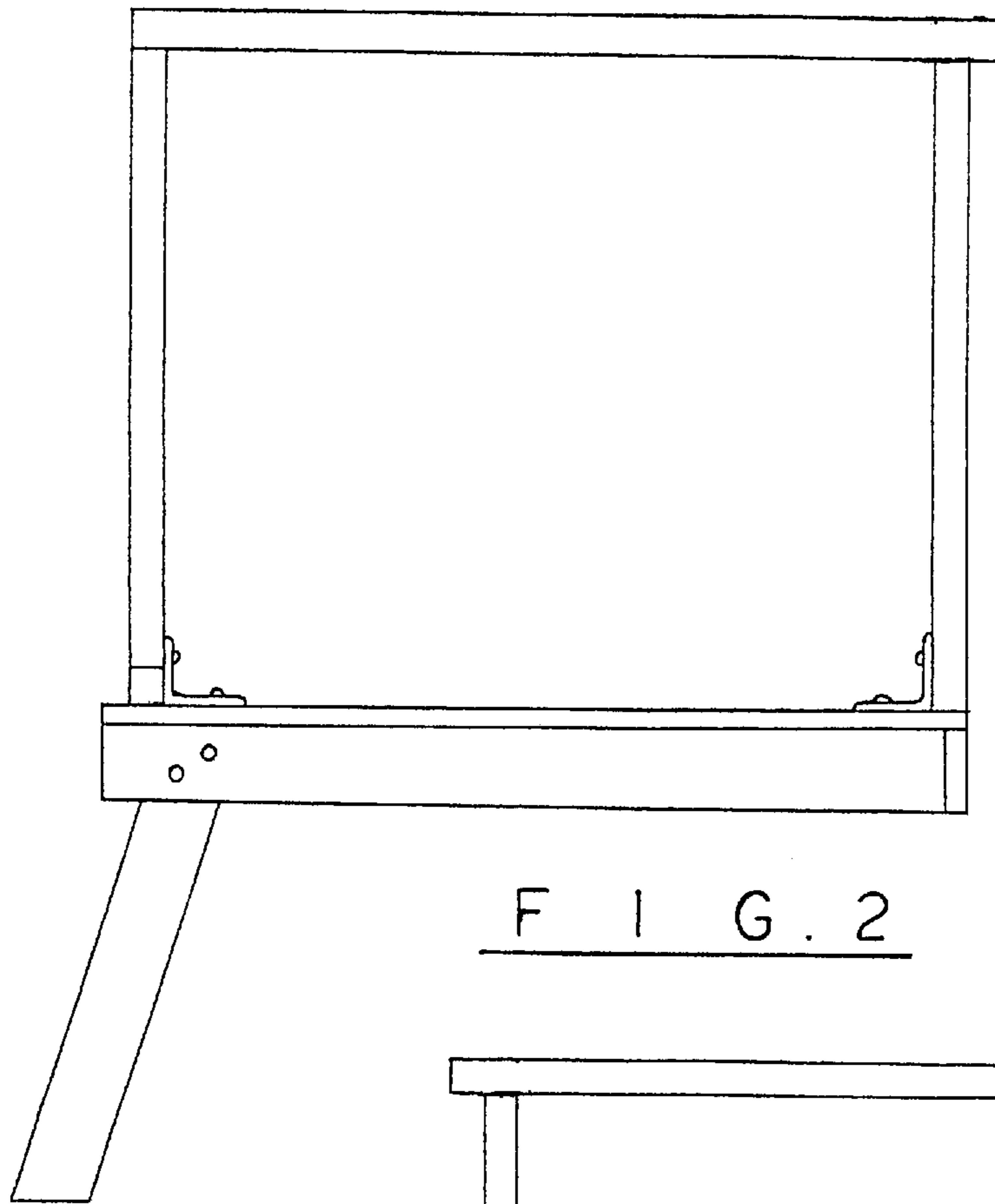


FIG. 2

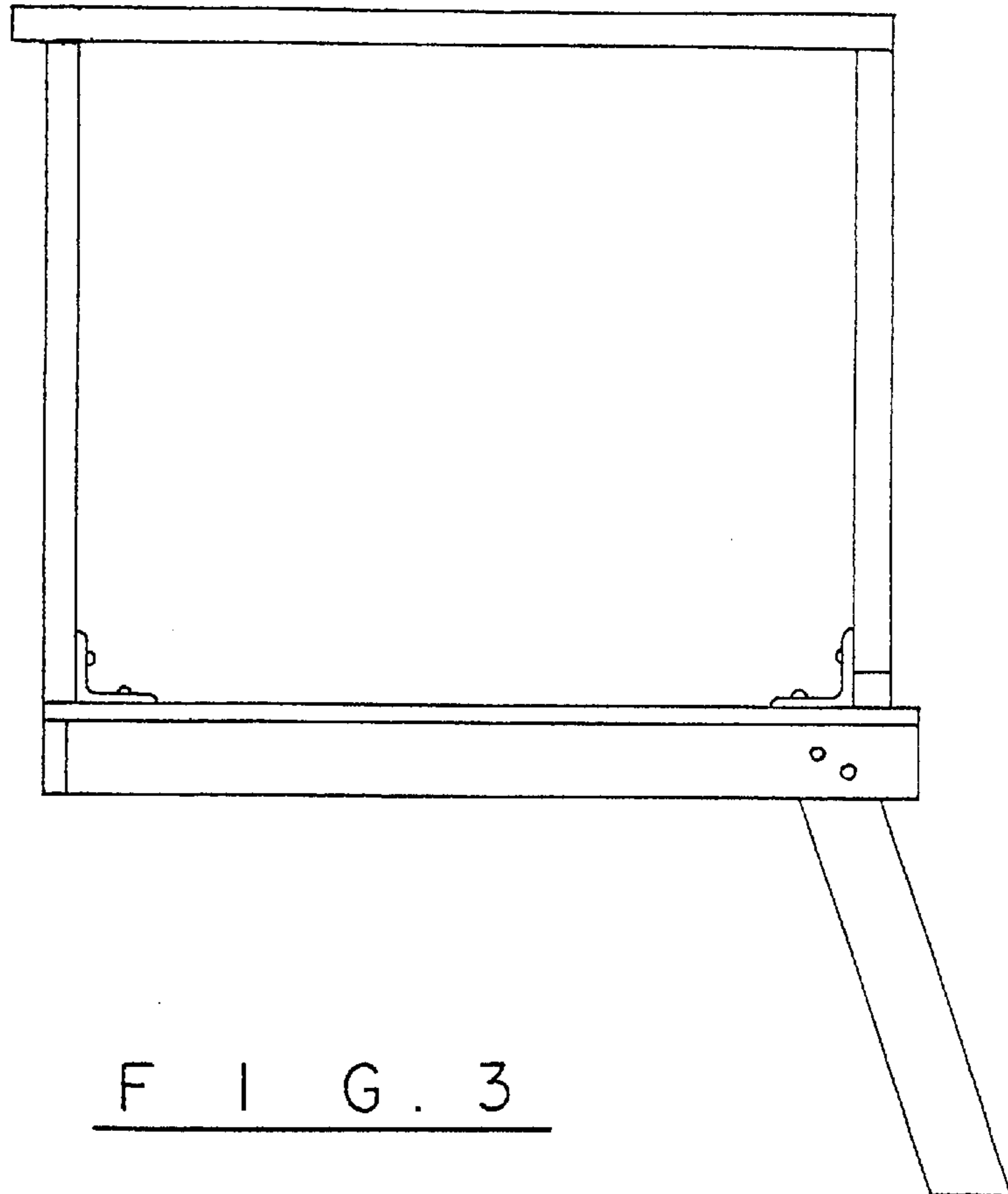
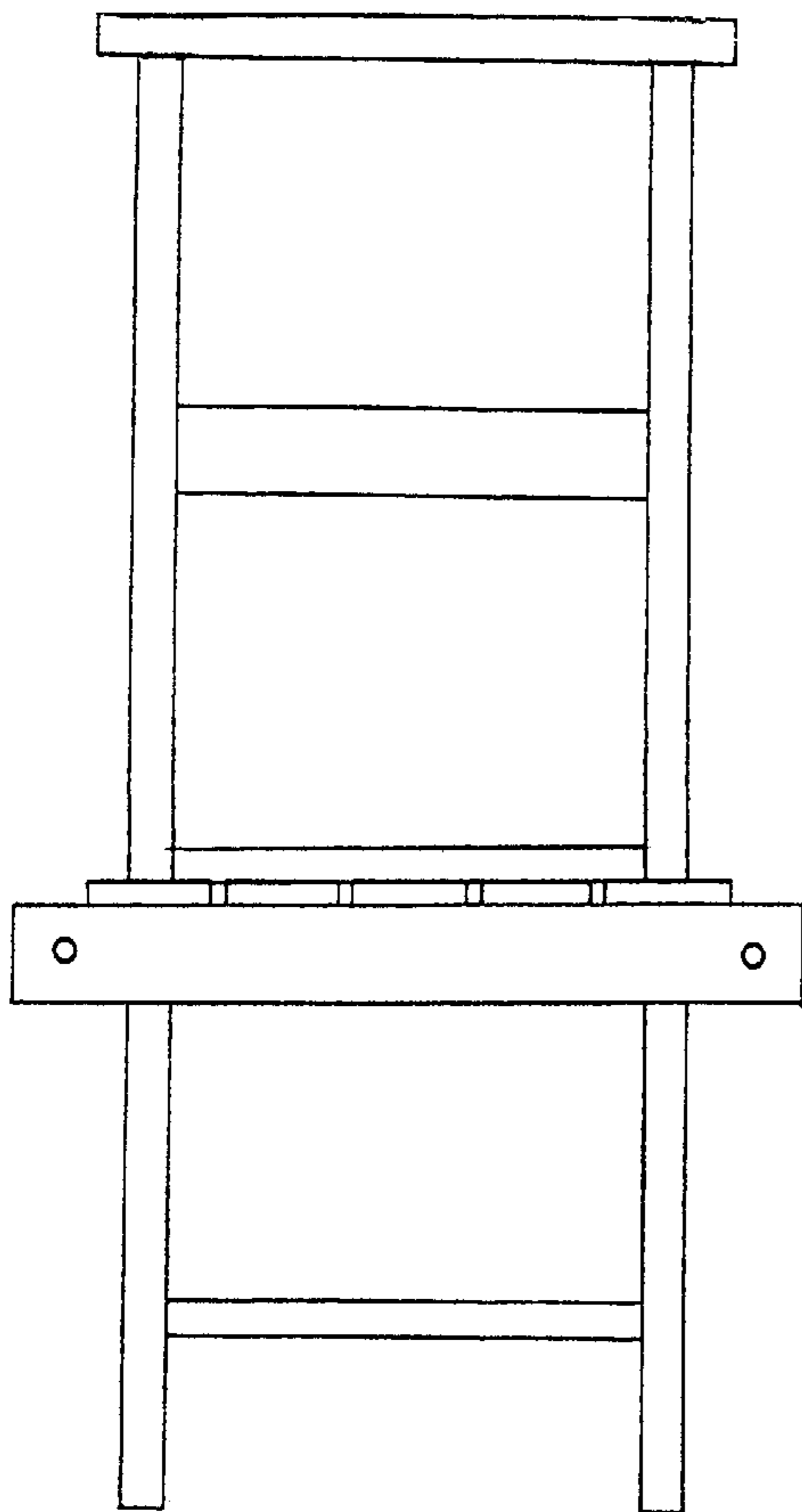
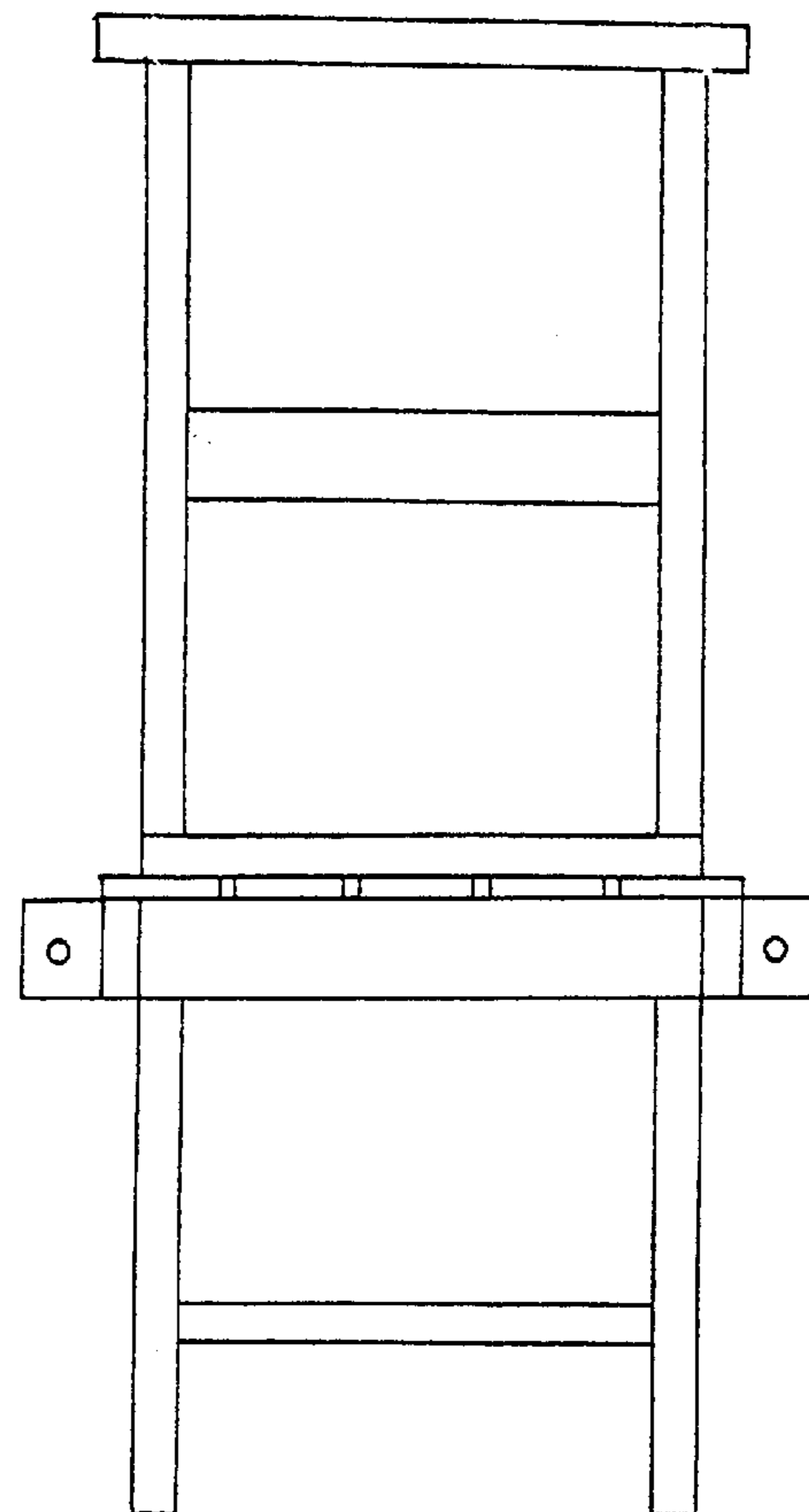


FIG. 3



F I G . 4



F I G . 5

