

US00D522664S

(12) **United States Design Patent**
Leone et al.

(10) **Patent No.:** **US D522,664 S**
(45) **Date of Patent:** **** Jun. 6, 2006**

(54) **FENCE INSERT**

5,131,630 A * 7/1992 Nash 256/12.5
D451,205 S * 11/2001 Erwin D25/38

(75) Inventors: **Nicola Leone**, Hornby (CA); **Joseph Isopo**, Woodbridge (CA)

* cited by examiner

(73) Assignee: **Iron Eagle Industries Inc.**, Ontario (CA)

Primary Examiner—Doris Clark
(74) *Attorney, Agent, or Firm*—Arne I. Fors

(**) Term: **14 Years**

(57) **CLAIM**

(21) Appl. No.: **29/213,856**

We claim the ornamental design is for a “fence insert,” as shown and described.

(22) Filed: **Sep. 24, 2004**

(30) **Foreign Application Priority Data**

DESCRIPTION

Apr. 6, 2004 (CA) 106490

(51) **LOC (8) Cl.** **25-02**

(52) **U.S. Cl.** **D25/38**

(58) **Field of Classification Search** D25/38;
256/1, 22, 34, 65.01

See application file for complete search history.

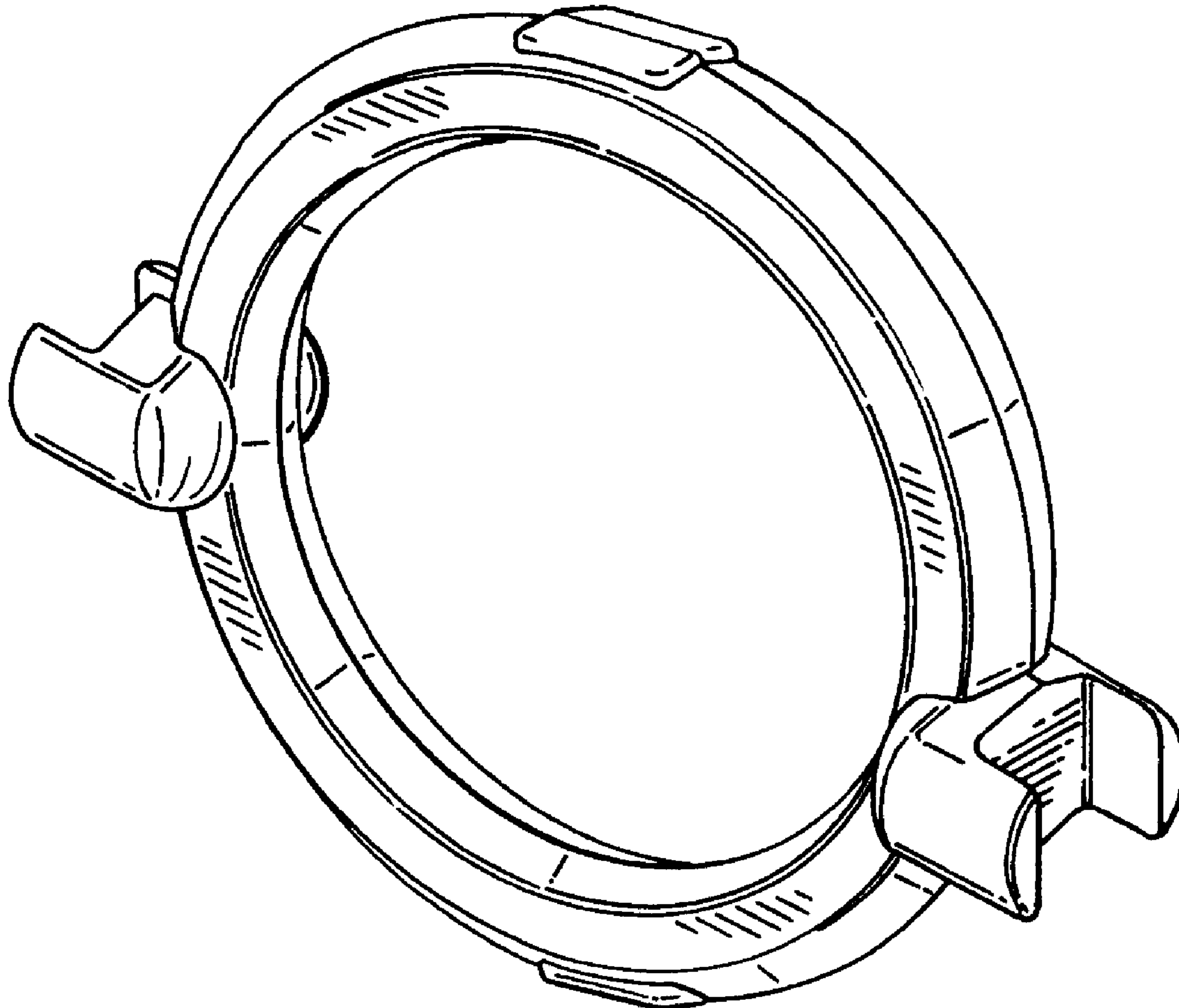
FIG. 1 is a perspective view of a fence insert;
FIG. 2 is a front elevational view;
FIG. 3 is a rear elevational view;
FIG. 4 is a side elevational view, the opposite side being identical; and,
FIG. 5 is a top plan view, the bottom being identical.

(56) **References Cited**

U.S. PATENT DOCUMENTS

328,392 A * 10/1885 Dudley 256/24

1 Claim, 1 Drawing Sheet



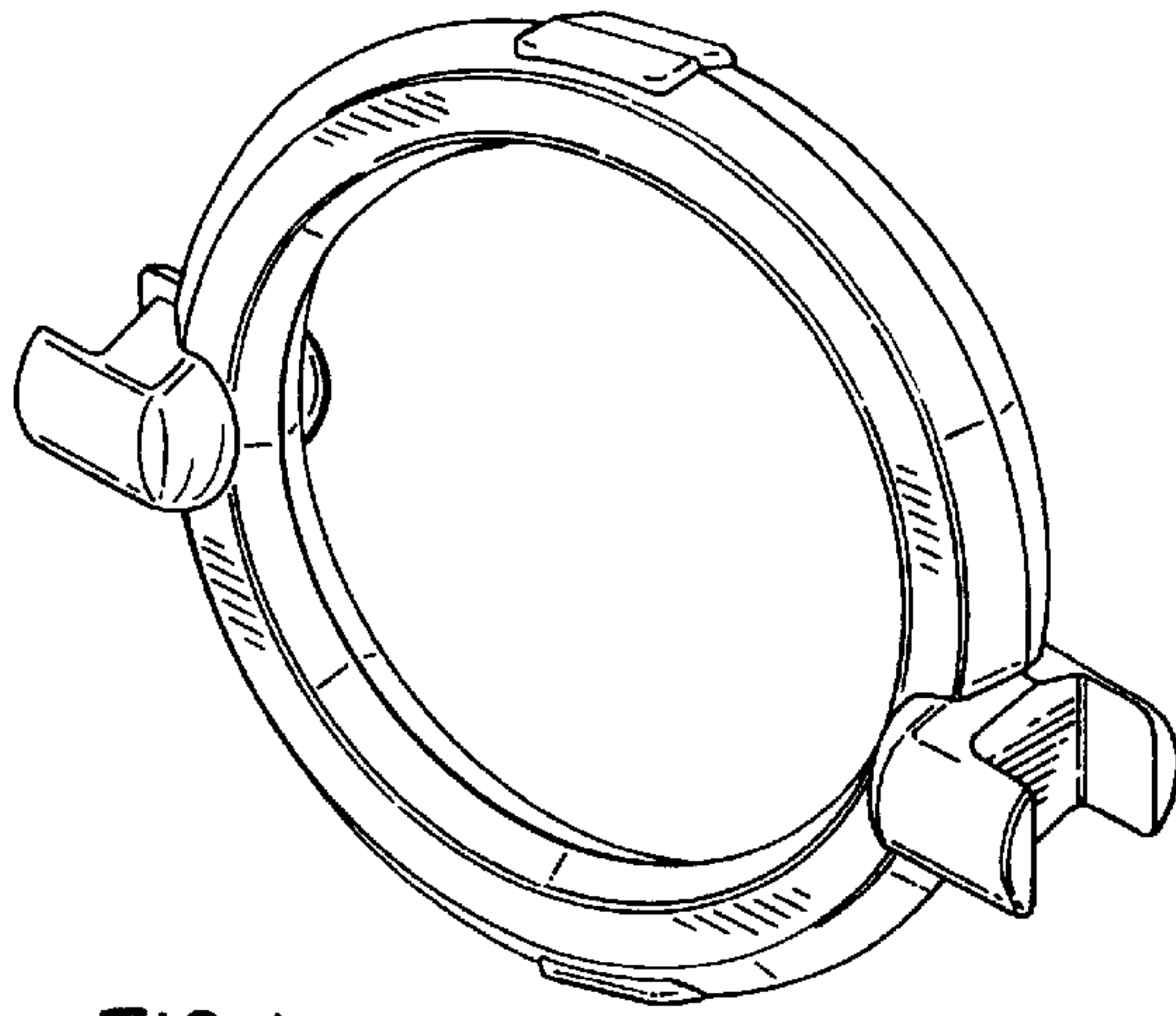


FIG. 1

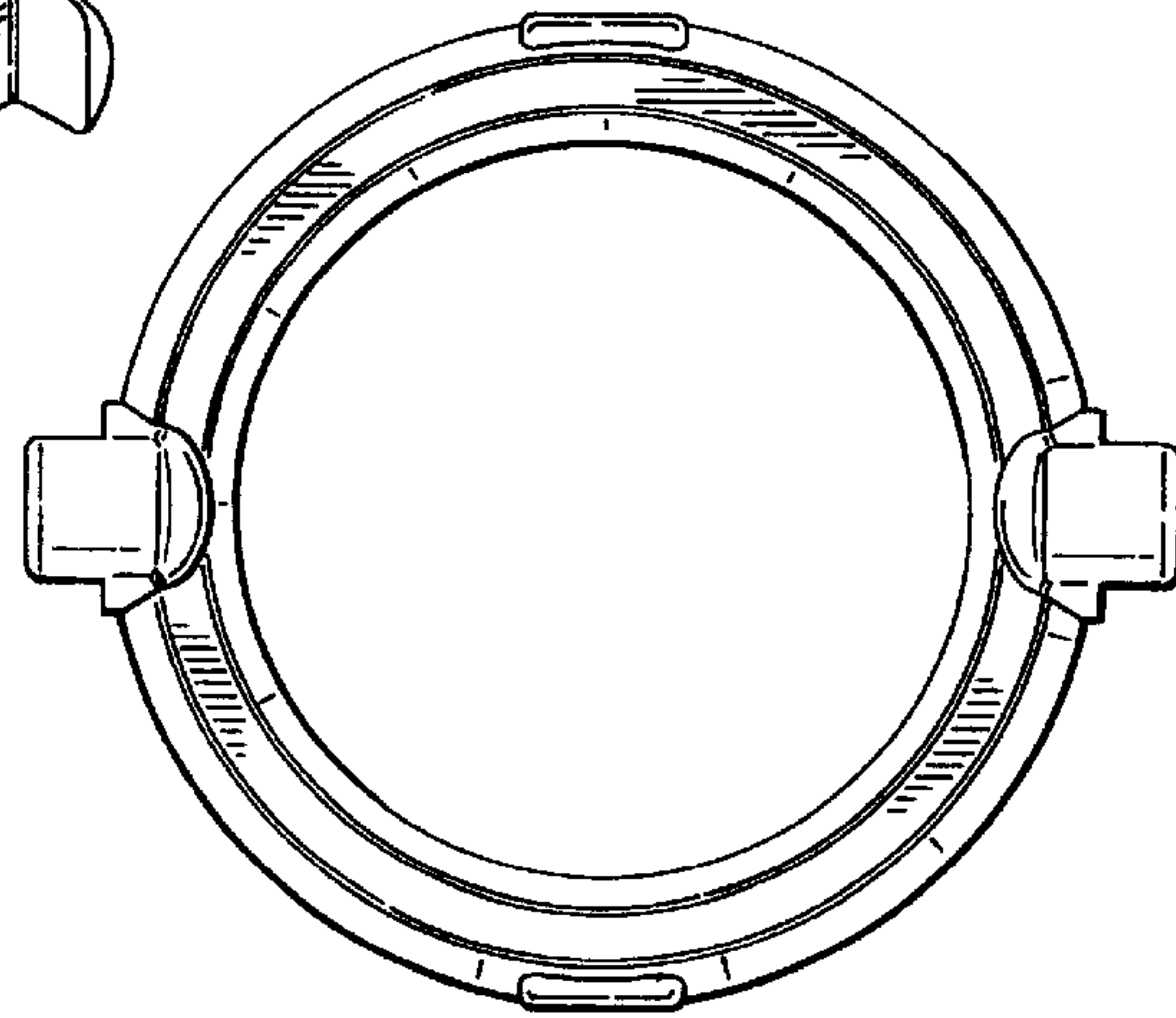


FIG. 2

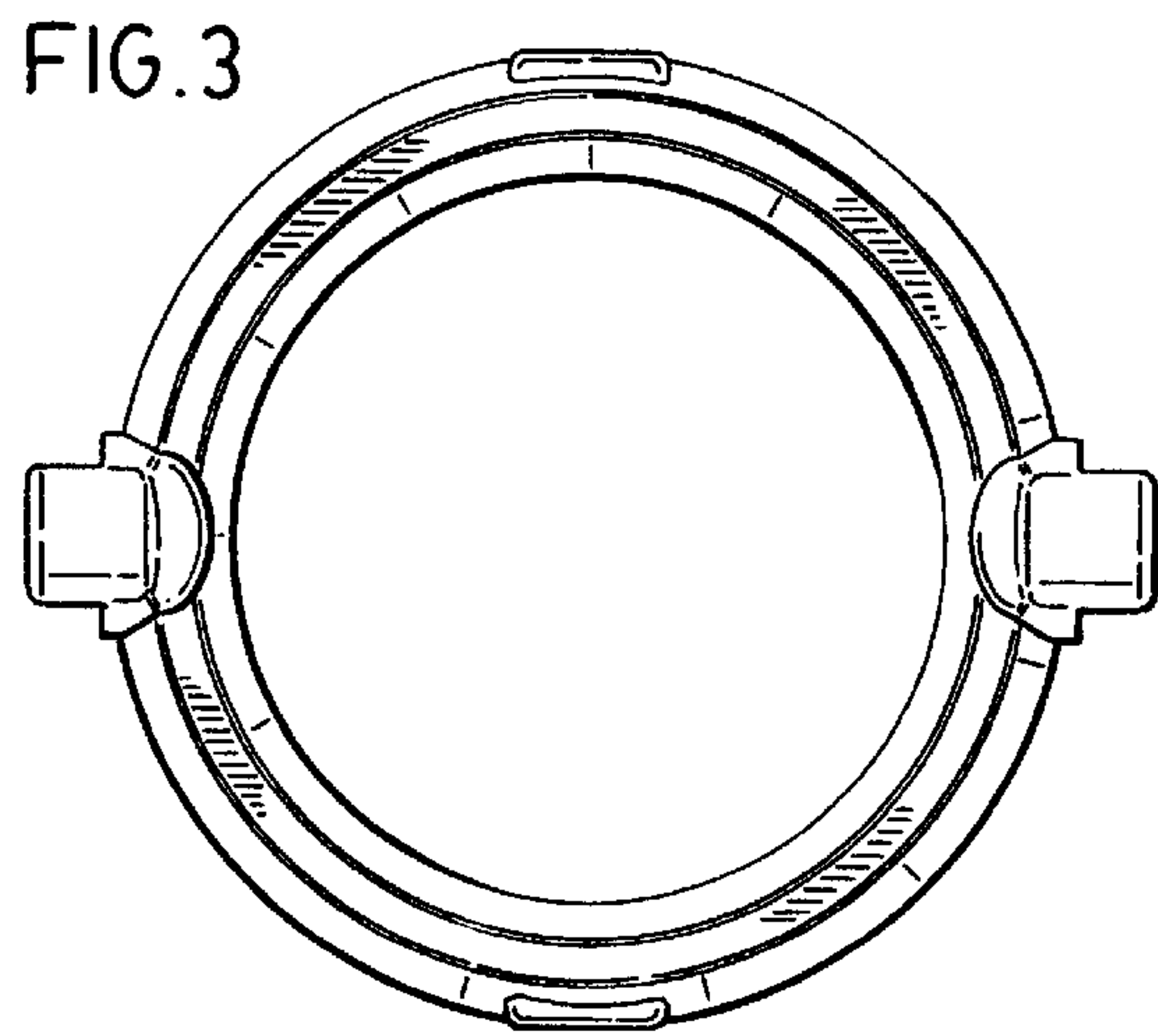


FIG. 3

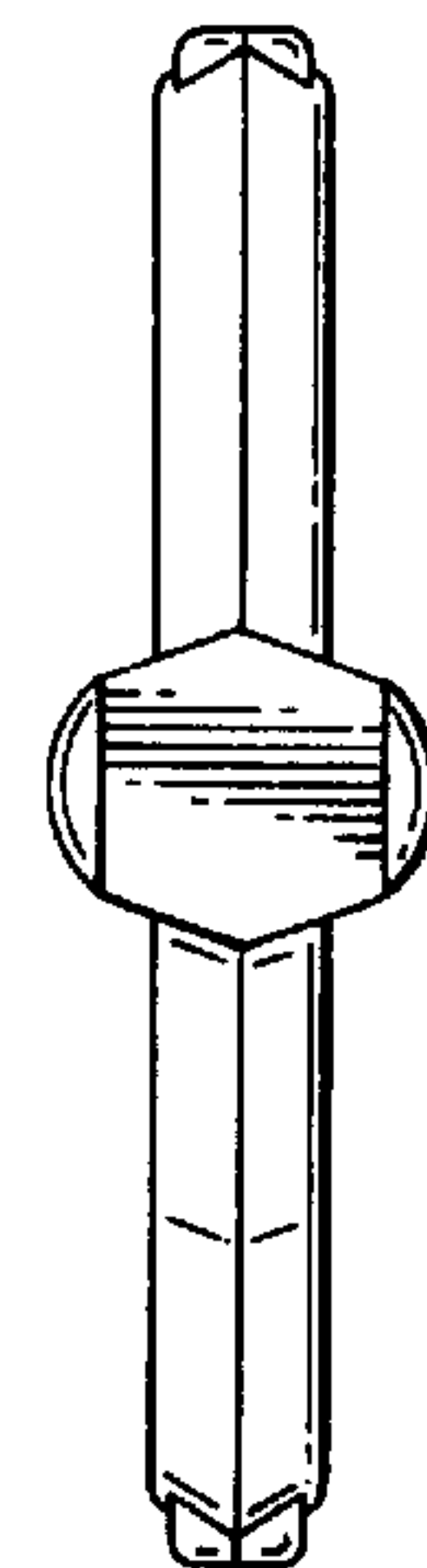


FIG. 4

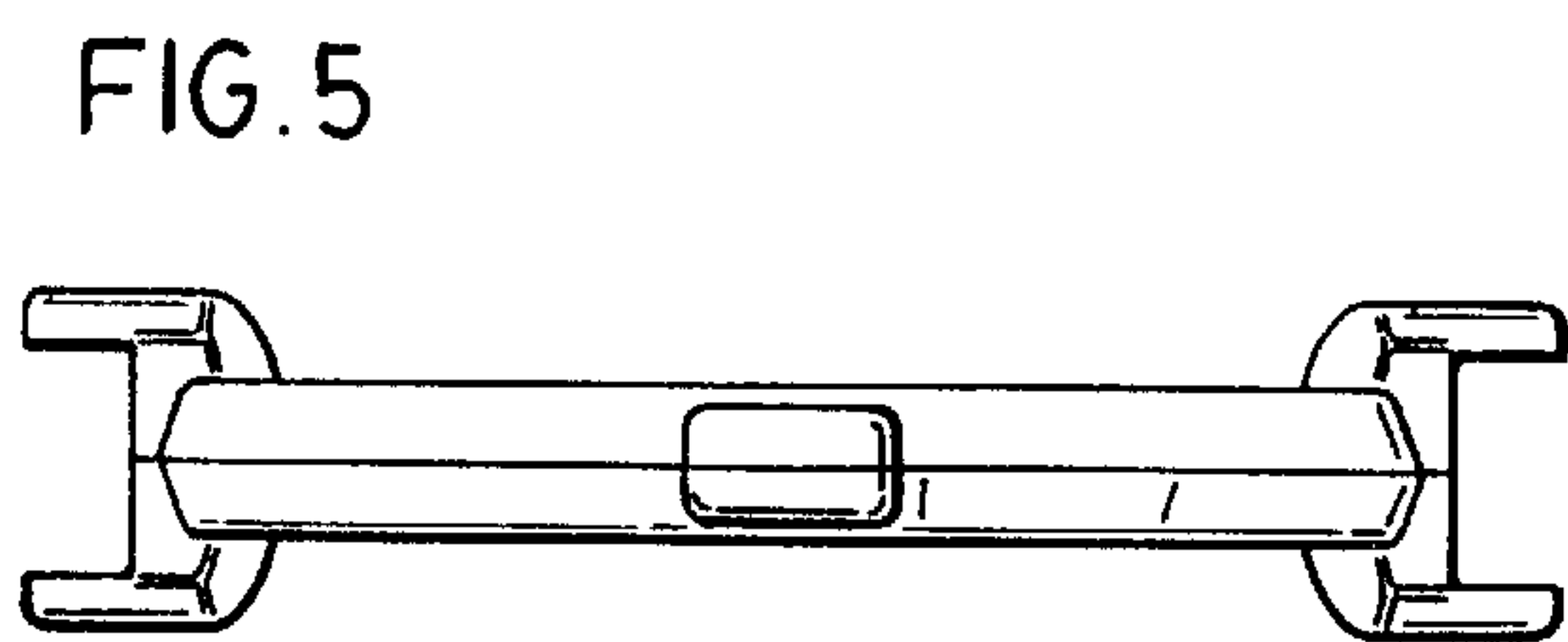


FIG. 5