

US00D522663S

(12) **United States Design Patent** (10) **Patent No.:** **US D522,663 S**
Py et al. (45) **Date of Patent:** **** Jun. 6, 2006**

(54) **VIAL** 4,265,364 A 5/1981 Baba
4,366,912 A 1/1983 Matukura et al.
(75) Inventors: **Daniel Py**, Stamford, CT (US); 4,390,111 A 6/1983 Robbins et al.
Norbert M. Assion, Shelton, CT (US); 4,444,330 A 4/1984 Kasai et al.
Julian V. Chan, Spring Valley, NY 4,456,138 A 6/1984 Bereziat
(US) 4,471,879 A 9/1984 Connor et al.
4,499,148 A 2/1985 Goodale et al.
(73) Assignee: **Medical Instill Technologies, Inc.**, D279,651 S 7/1985 Freeman
New Milford, CT (US) 4,635,807 A 1/1987 Knapp
4,664,275 A 5/1987 Kasai et al.
(**) Term: **14 Years** 4,664,277 A 5/1987 Connor

(Continued)

(21) Appl. No.: **29/223,408**

FOREIGN PATENT DOCUMENTS

(22) Filed: **Feb. 14, 2005**

CA 1 123 792 5/1982
EP 0 921 151 B1 10/2001
FR 2 509 689 7/1981
GB 500534 2/1939
GB 984149 2/1965
GB 2 091 229 A 7/1982
GB 2 364 700 A 2/2002
WO WO 95/34381 12/1995

Related U.S. Application Data

(62) Division of application No. 29/189,780, filed on Sep. 10, 2003, now Pat. No. Des. 505,494, which is a division of application No. 29/166,810, filed on Sep. 3, 2002, now Pat. No. Des. 485,365.

(51) **LOC (8) Cl.** **24-02**

(52) **U.S. Cl.** **D24/224; D24/121**

(58) **Field of Classification Search** 422/102;
215/DIG. 3, 247, 249, 251, 255; D24/224,
D24/216, 121; D9/446, 445, 434, 439
See application file for complete search history.

Primary Examiner—Louis S. Zarfaz
Assistant Examiner—John Windmuller

(74) *Attorney, Agent, or Firm*—McCarter & English, LLP

(57) **CLAIM**

We claim, the ornamental design for a vial, as shown and described.

(56) **References Cited**

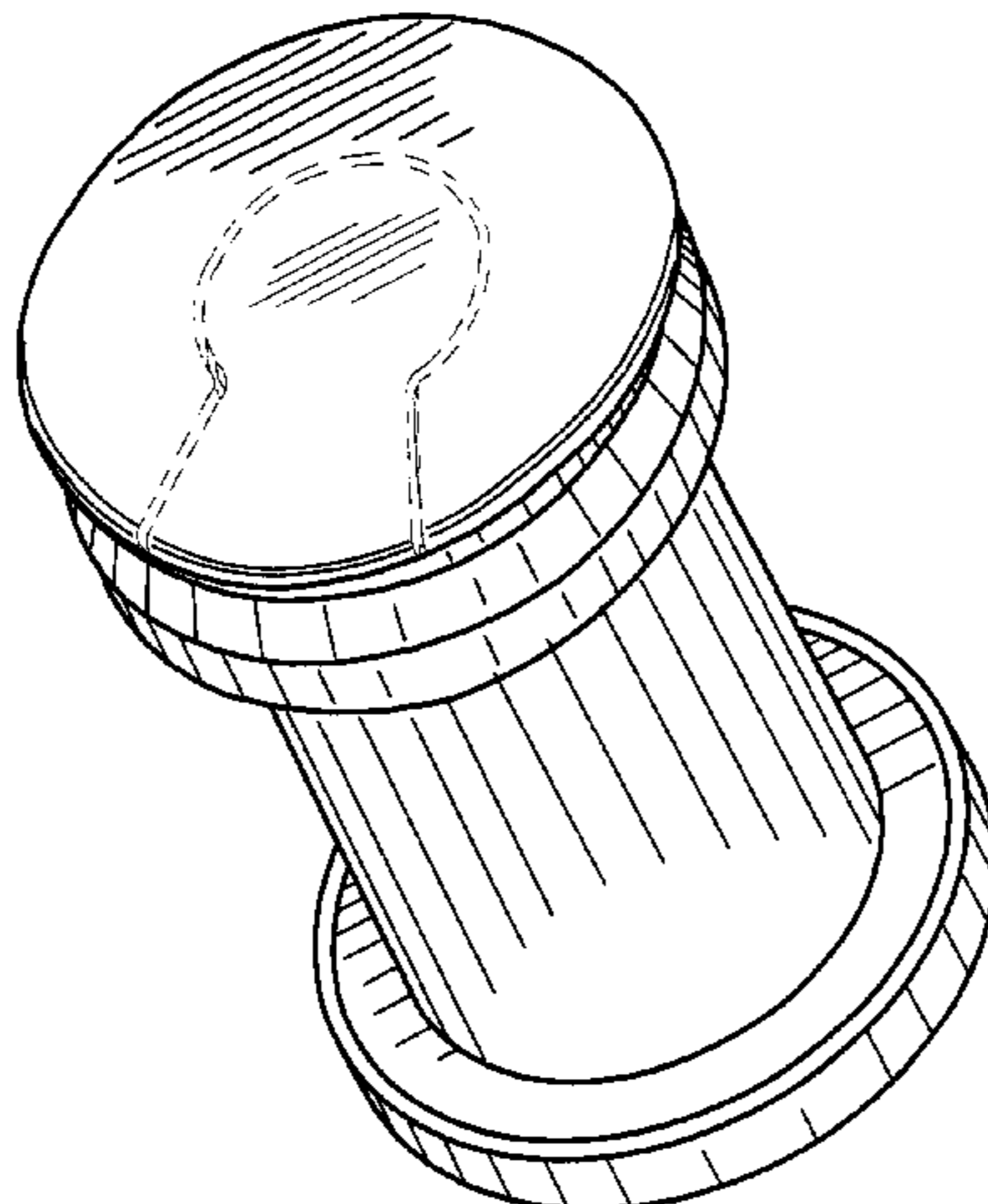
DESCRIPTION

U.S. PATENT DOCUMENTS

2,503,147 A 4/1950 Applezweig
2,667,986 A 2/1954 Perelson
3,092,278 A 6/1963 Järnhäll
3,193,128 A 7/1965 Ravn
3,278,063 A 10/1966 Kranzhoff
3,340,671 A 9/1967 Loo
3,358,865 A 12/1967 Andersen
3,392,859 A 7/1968 Fischer
3,637,102 A 1/1972 Shaw
3,685,248 A 8/1972 Godelaine
3,811,591 A 5/1974 Novitch
4,048,255 A 9/1977 Hillier et al.
4,205,754 A 6/1980 Nielsen et al.
4,250,611 A 2/1981 Wong

FIG. 1 is a top perspective view of a vial showing our new design;
FIG. 2 is a front elevational view of the vial of FIG. 1;
FIG. 3 is a side elevational view of the vial of FIG. 1;
FIG. 4 is another side elevational view of the vial of FIG. 1;
FIG. 5 is a top plan view of the vial of FIG. 1;
FIG. 6 is a rear elevational view of the vial of FIG. 1; and,
FIG. 7 is a bottom plan view of the vial of FIG. 1.
The broken lines shown in the drawing figures are for illustrative purposes only and form no part of the claimed design.

1 Claim, 4 Drawing Sheets



US D522,663 S

Page 2

U.S. PATENT DOCUMENTS					
4,703,781	A	11/1987 Meyer et al.	5,718,348	A	2/1998 Manera
4,815,619	A	3/1989 Turner et al.	D391,696	S *	3/1998 Bournay et al. D32/3
4,834,125	A *	5/1989 Insalaco 134/201	5,744,087	A	4/1998 Williams et al.
4,842,028	A	6/1989 Kaufman et al.	5,816,772	A	10/1998 Py
5,031,675	A	7/1991 Lindgren	5,823,373	A	10/1998 Sudo et al.
5,085,332	A	2/1992 Gettig et al.	5,902,298	A	5/1999 Niedoşpial et al.
5,088,612	A	2/1992 Storar et al.	5,931,828	A	8/1999 Durkee
5,088,995	A	2/1992 Packard et al.	5,971,181	A	10/1999 Niedoşpial, Jr. et al.
5,129,212	A	7/1992 Duffey et al.	6,006,932	A	12/1999 Morini
D331,477	S *	12/1992 Michael et al. D32/3	6,068,150	A	5/2000 Mitchell et al.
5,247,015	A	9/1993 Bayan	6,070,748	A	6/2000 Sotrar
5,341,854	A	8/1994 Zezulka et al.	6,095,355	A	8/2000 Jessen et al.
5,344,036	A	9/1994 Stanescu et al.	6,145,688	A	11/2000 Smith
5,379,908	A	1/1995 Rohe	D439,345	S *	3/2001 Herchenbach et al. D24/224
5,411,065	A	5/1995 Meador et al.	6,223,918	B1	5/2001 Browne
5,431,294	A *	7/1995 Stottmann et al. 220/23.4	6,234,335	B1	5/2001 Gee et al.
5,464,111	A	11/1995 Vacek et al.	6,382,441	B1	5/2002 Carano
5,484,566	A	1/1996 Gabbard	6,416,499	B1	7/2002 Paul, Jr.
5,514,339	A	5/1996 Leopardi et al.	6,607,685	B1	8/2003 Naritomi et al.
5,549,141	A	8/1996 Meador et al.	6,681,475	B1	1/2004 Thibault et al.
5,641,004	A	6/1997 Py	D488,891	S *	4/2004 Smith et al. D32/3
D383,214	S	9/1997 Brennan	2002/0023893	A1	2/2002 Sudo et al.
D389,586	S *	1/1998 Brennan D24/224			

* cited by examiner

FIG. 1

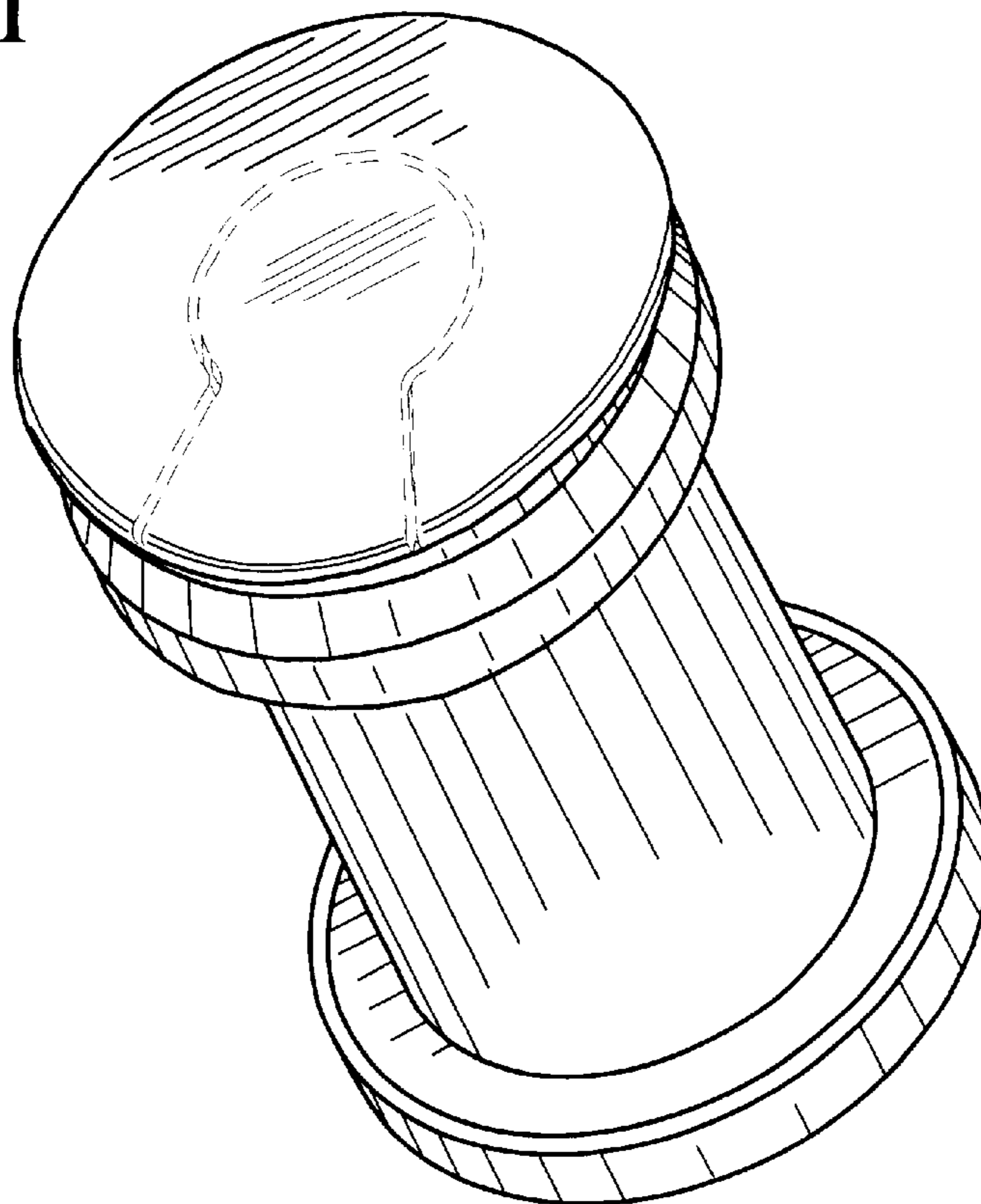


FIG. 2

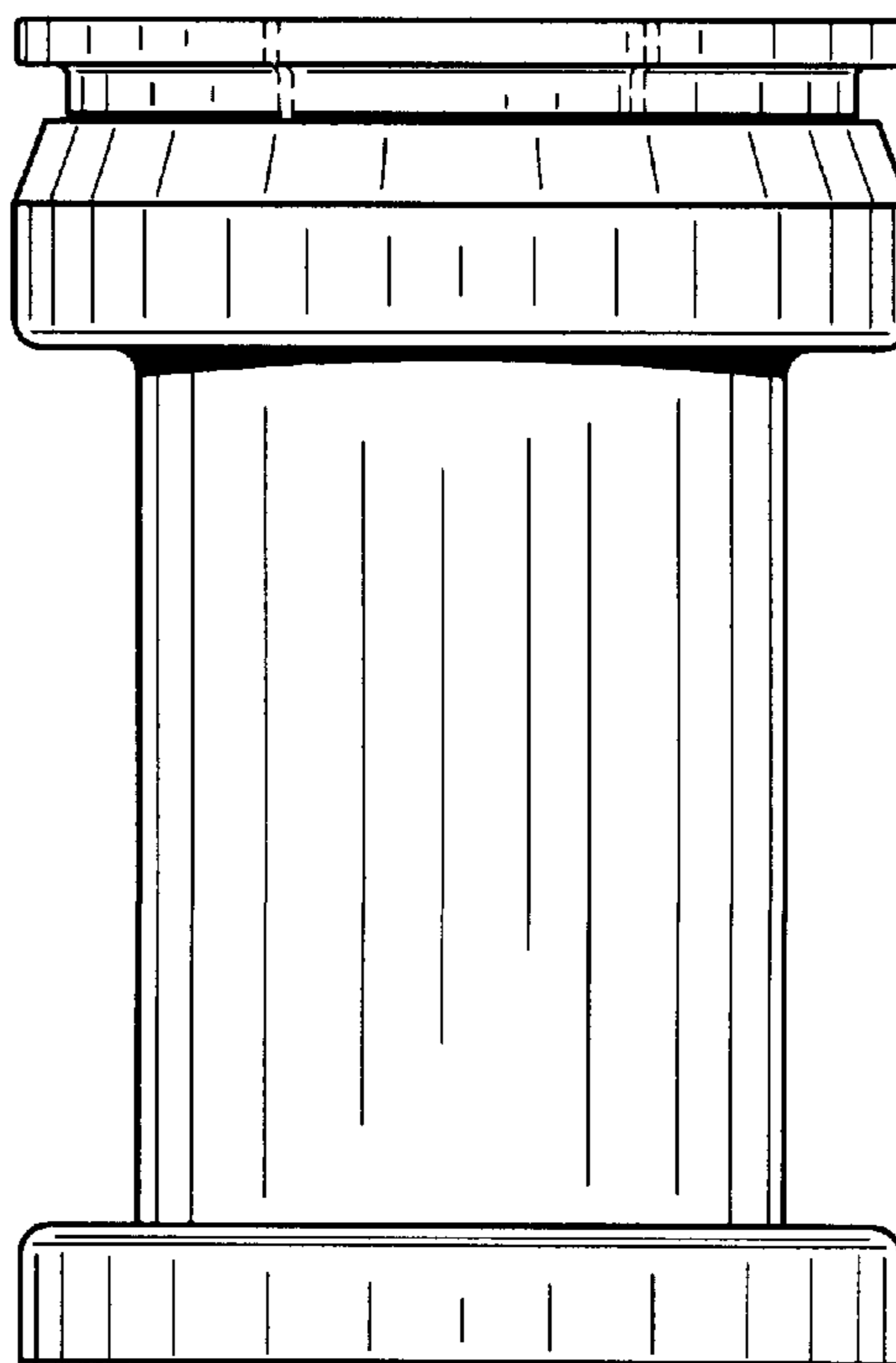


FIG. 4

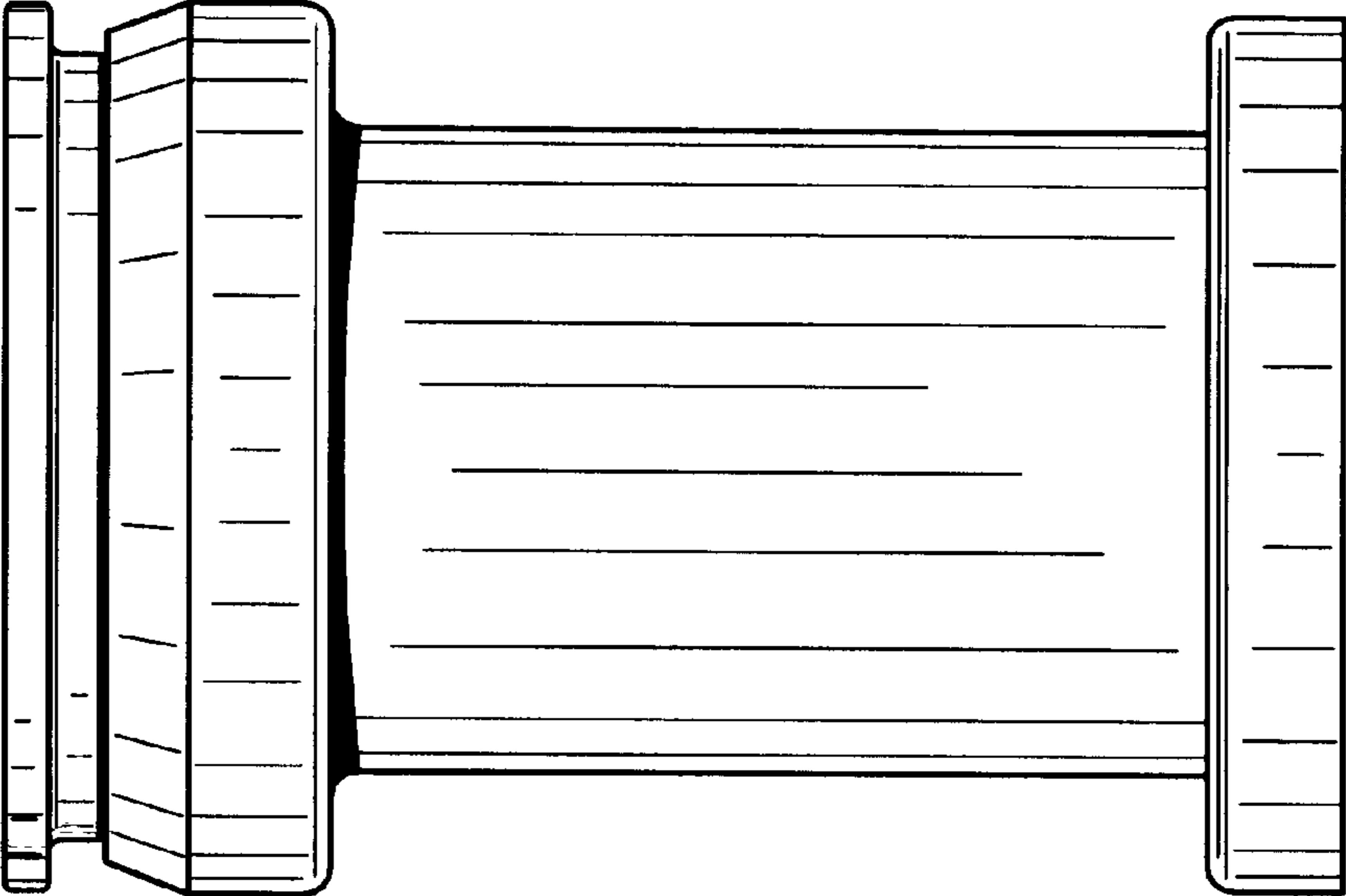


FIG. 3

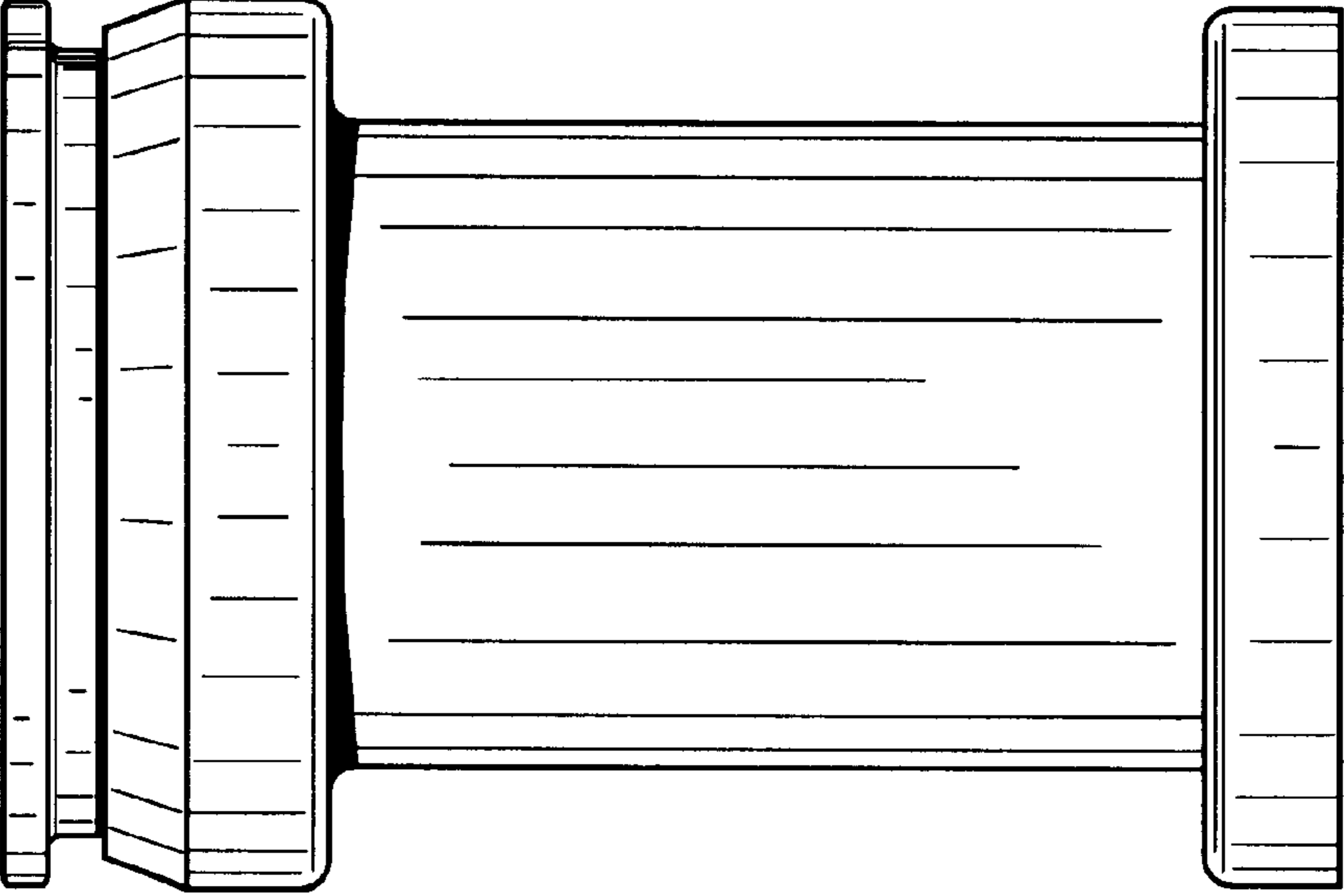


FIG. 5

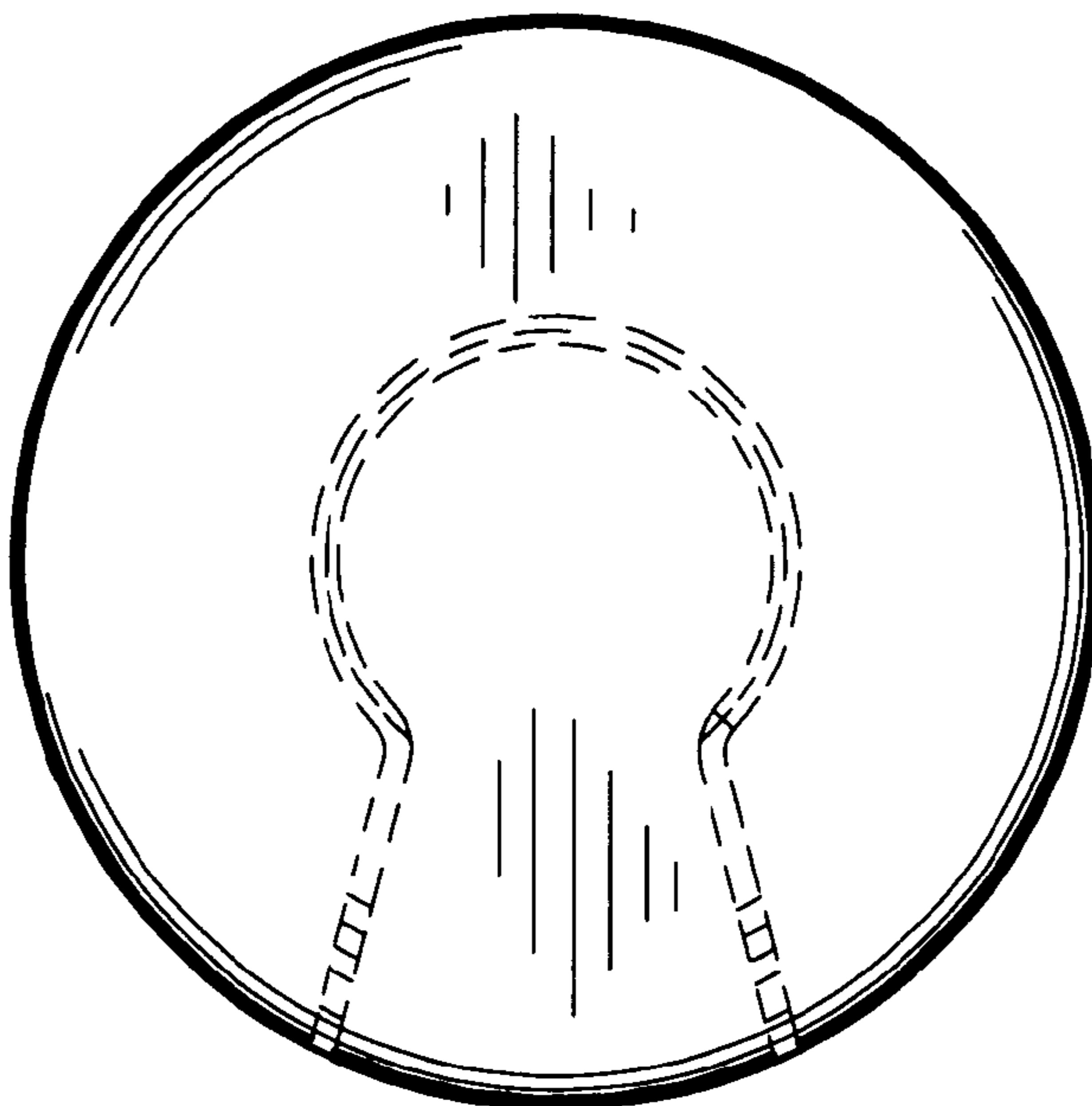


FIG. 6

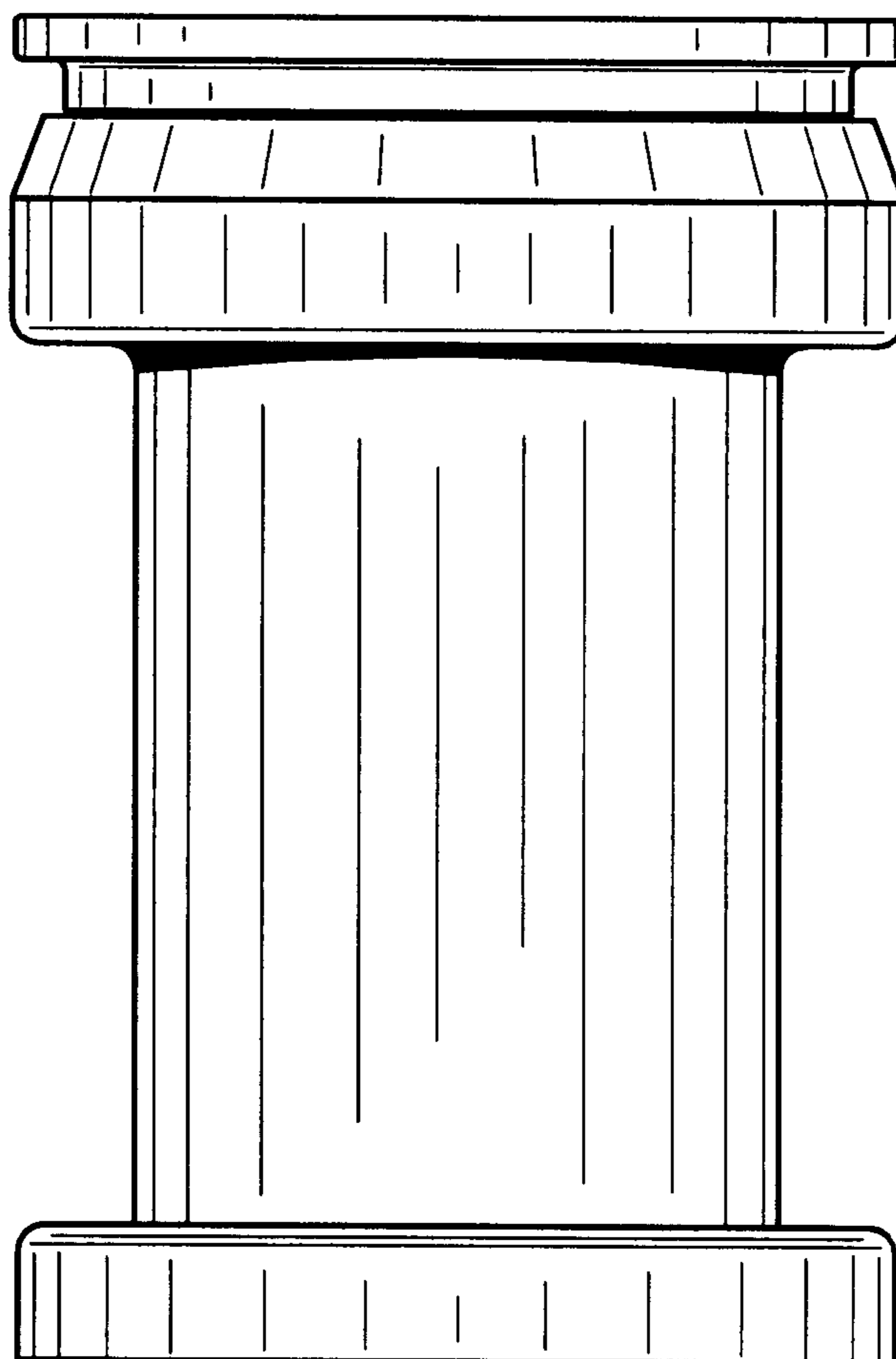


FIG. 7

