

US00D522660S

(12) **United States Design Patent**  
**Loyd**

(10) **Patent No.:** **US D522,660 S**  
(45) **Date of Patent:** **\*\* Jun. 6, 2006**

(54) **SPA**

(76) **Inventor:** **Casey Loyd**, 1462 E. 9th St., Pomona, CA (US) 91766

(\*\*) **Term:** **14 Years**

(21) **Appl. No.:** **29/219,840**

(22) **Filed:** **Dec. 20, 2004**

(51) **LOC (8) Cl.** ..... **24-04**

(52) **U.S. Cl.** ..... **D24/204**

(58) **Field of Classification Search** ..... D24/201,  
D24/203, 204, 205; D23/277; 601/156-158;  
4/541.1-541.6, 547, 578.1, 579

See application file for complete search history.

(56) **References Cited**

**U.S. PATENT DOCUMENTS**

D254,571 S	*	3/1980	Reineman	.....	D24/204
D269,814 S	*	7/1983	Fishel et al.	.....	D24/204
D294,521 S	*	3/1988	Willich et al.	.....	D24/204
D333,699 S	*	3/1993	Jacuzzi et al.	.....	D24/205
D334,231 S	*	3/1993	Kohler et al.	.....	D24/205
D428,995 S	*	8/2000	Magray et al.	.....	D24/204
D431,297 S	*	9/2000	Larsen et al.	.....	D24/204
D431,637 S	*	10/2000	Palmer	.....	D23/277
D433,510 S	*	11/2000	Jacuzzi	.....	D24/204
D445,904 S	*	7/2001	Larsen	.....	D24/204
6,324,707 B1	*	12/2001	Larsen et al.	.....	4/541.1

**OTHER PUBLICATIONS**

Catalogue page for Millennium IV Spa (date 1996).  
Advertising flyer for 210 Spa (date 2003).  
Catalogue pages for Prestige Spa (date 2002).

\* cited by examiner

*Primary Examiner*—Marcus A. Jackson

*Assistant Examiner*—Melanie Levy

(74) *Attorney, Agent, or Firm*—Denton L. Anderson;  
Sheldon & Mak

(57) **CLAIM**

The ornamental design for a spa, as shown and described.

**DESCRIPTION**

FIG. 1 is a front perspective view of the spa of the invention;  
FIG. 2 is a top and left side perspective view of the spa  
illustrated in FIG. 1;

FIG. 3 is a top plan view of the spa illustrated in FIG. 1;

FIG. 4 is a front elevation of the spa illustrated in FIG. 1;

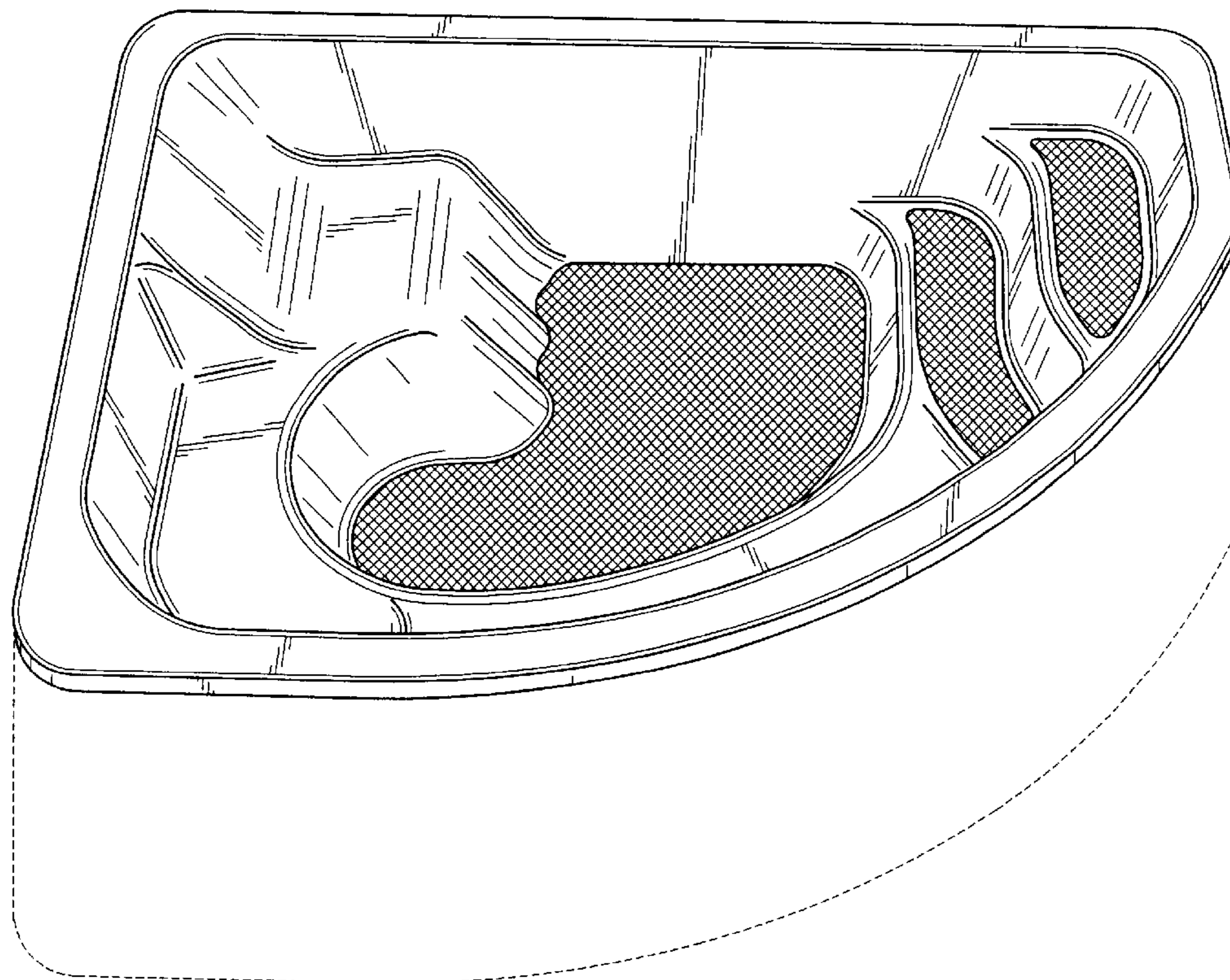
FIG. 5 is a right side elevation of the spa illustrated in FIG. 1;

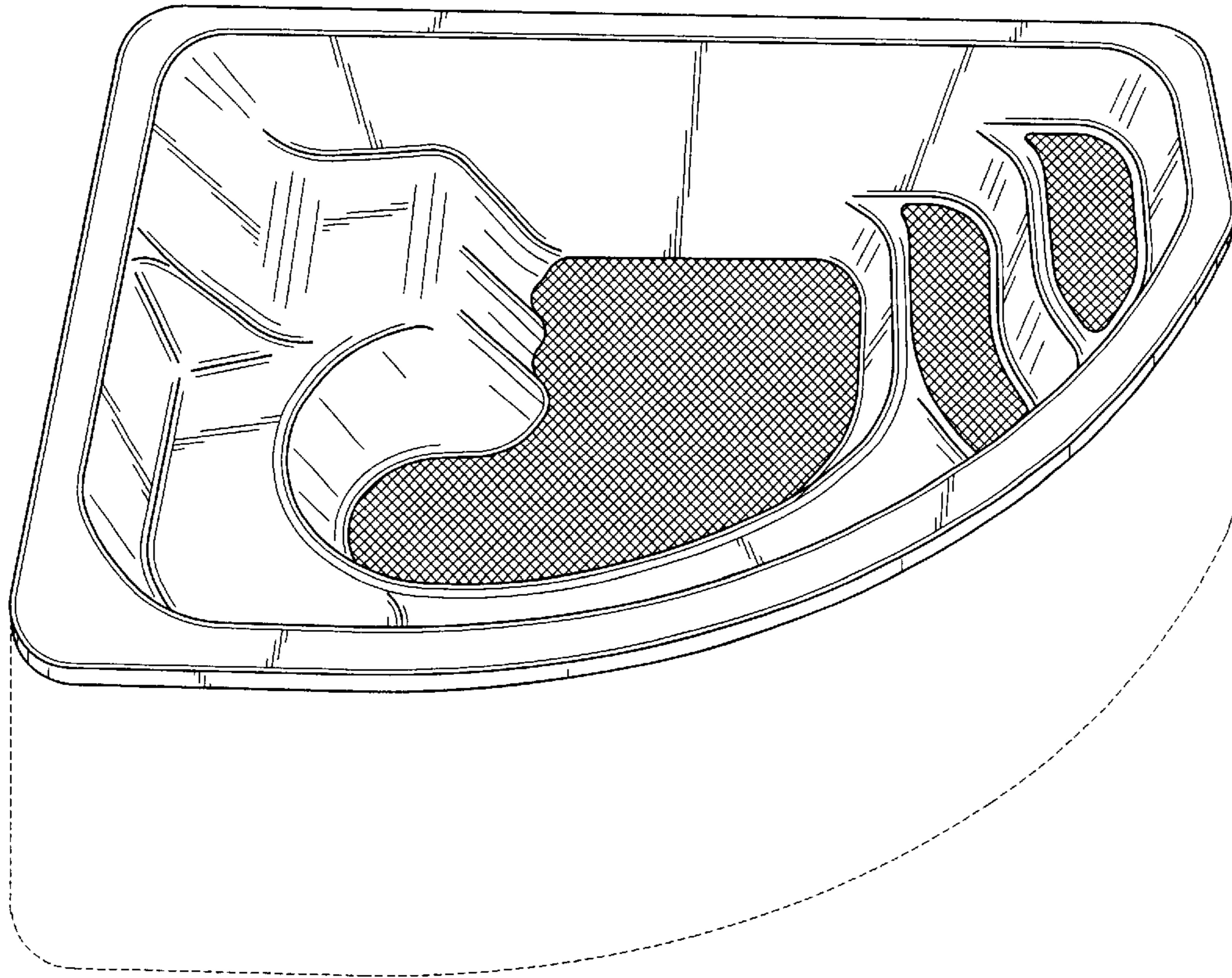
FIG. 6 is a left side elevation of the spa illustrated in FIG. 1; and,

FIG. 7 is a rear elevation of the spa illustrated in FIG. 1.

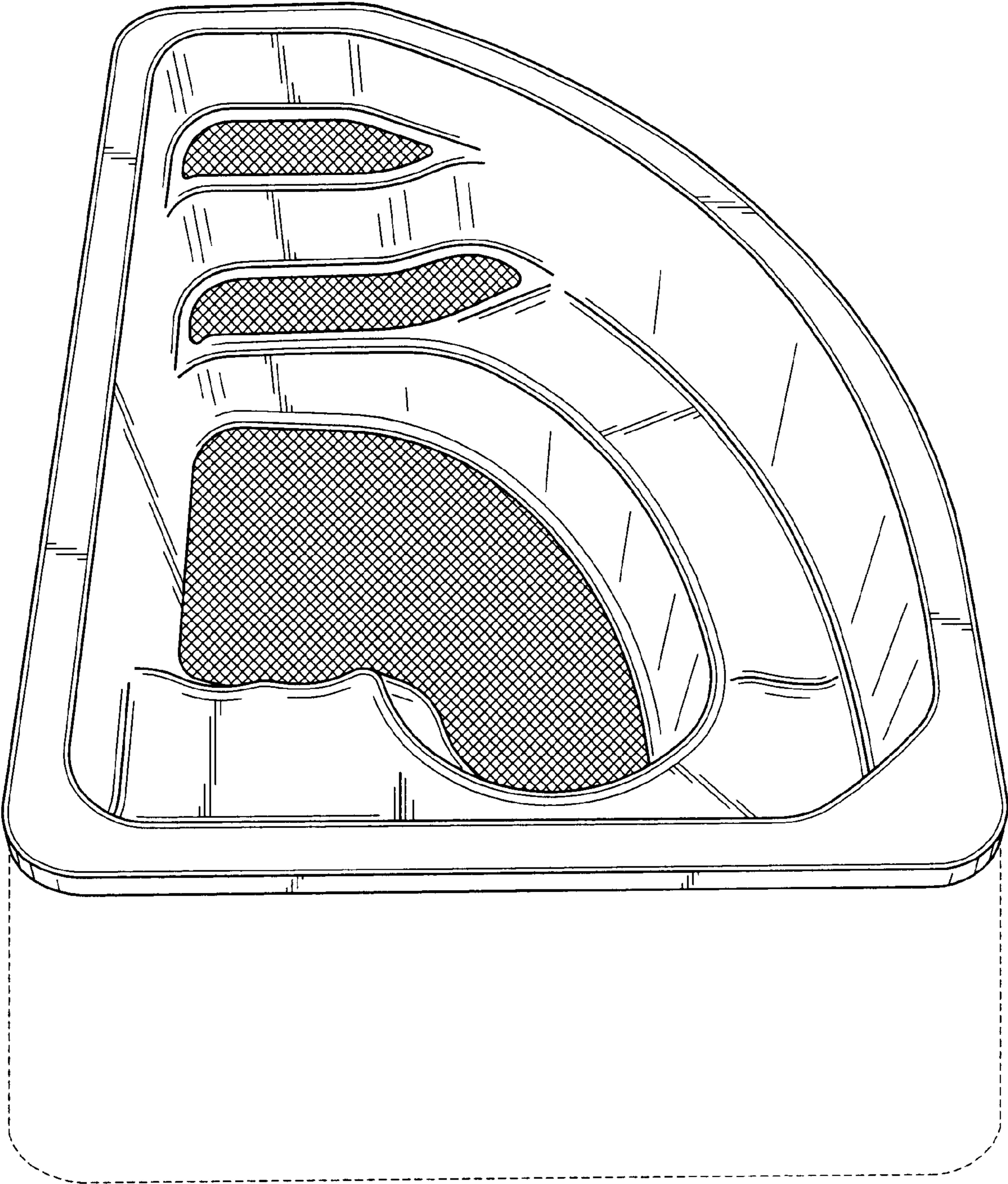
The broken lines are for illustrative purposes only and form no part of the claimed design.

**1 Claim, 4 Drawing Sheets**

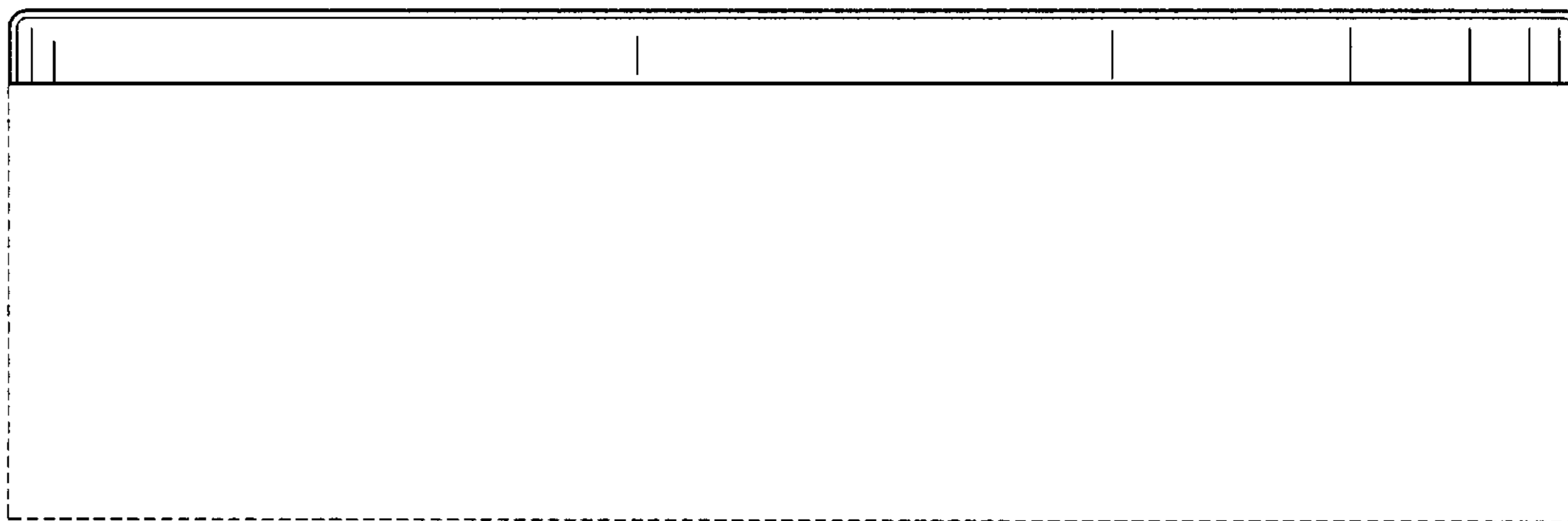
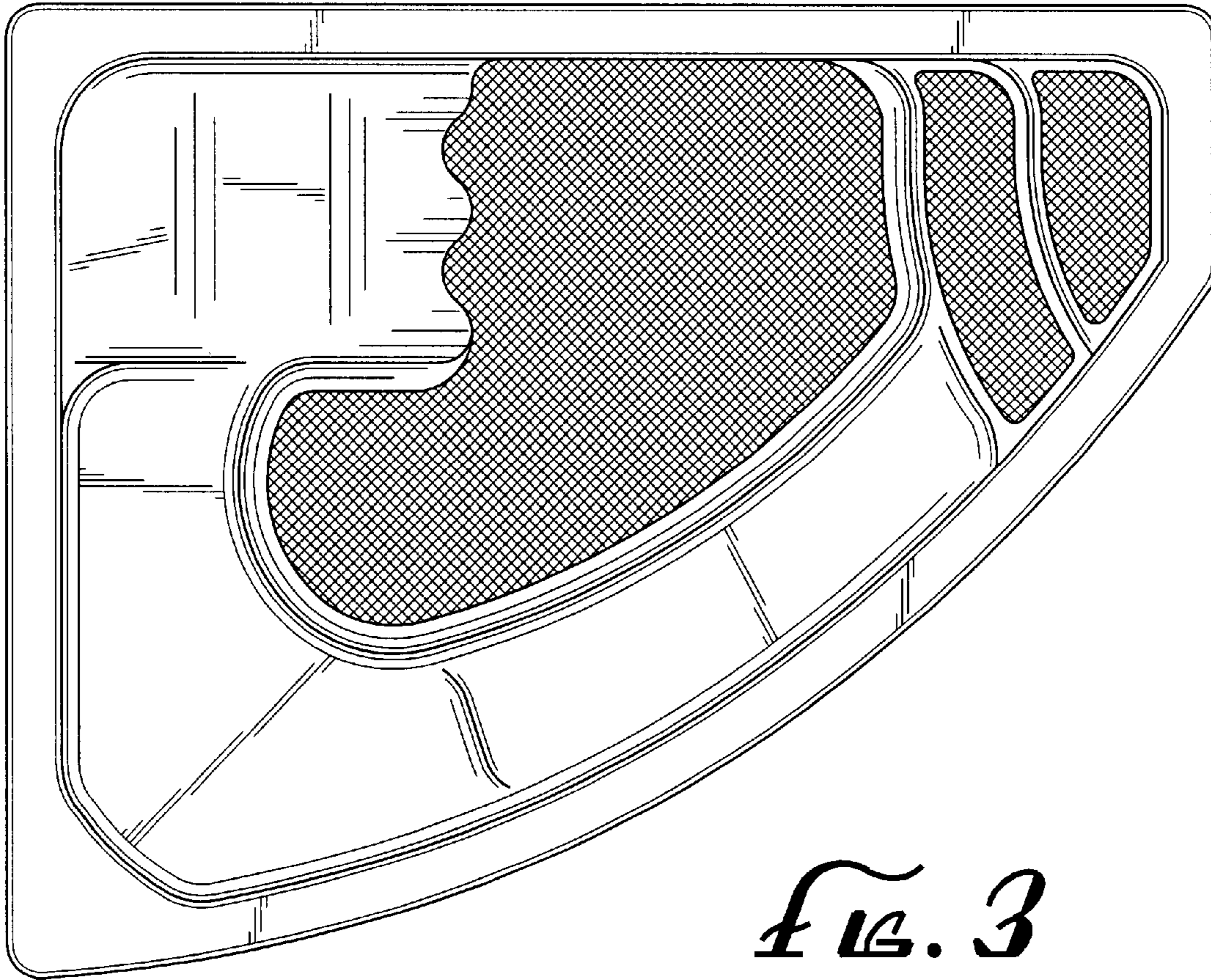


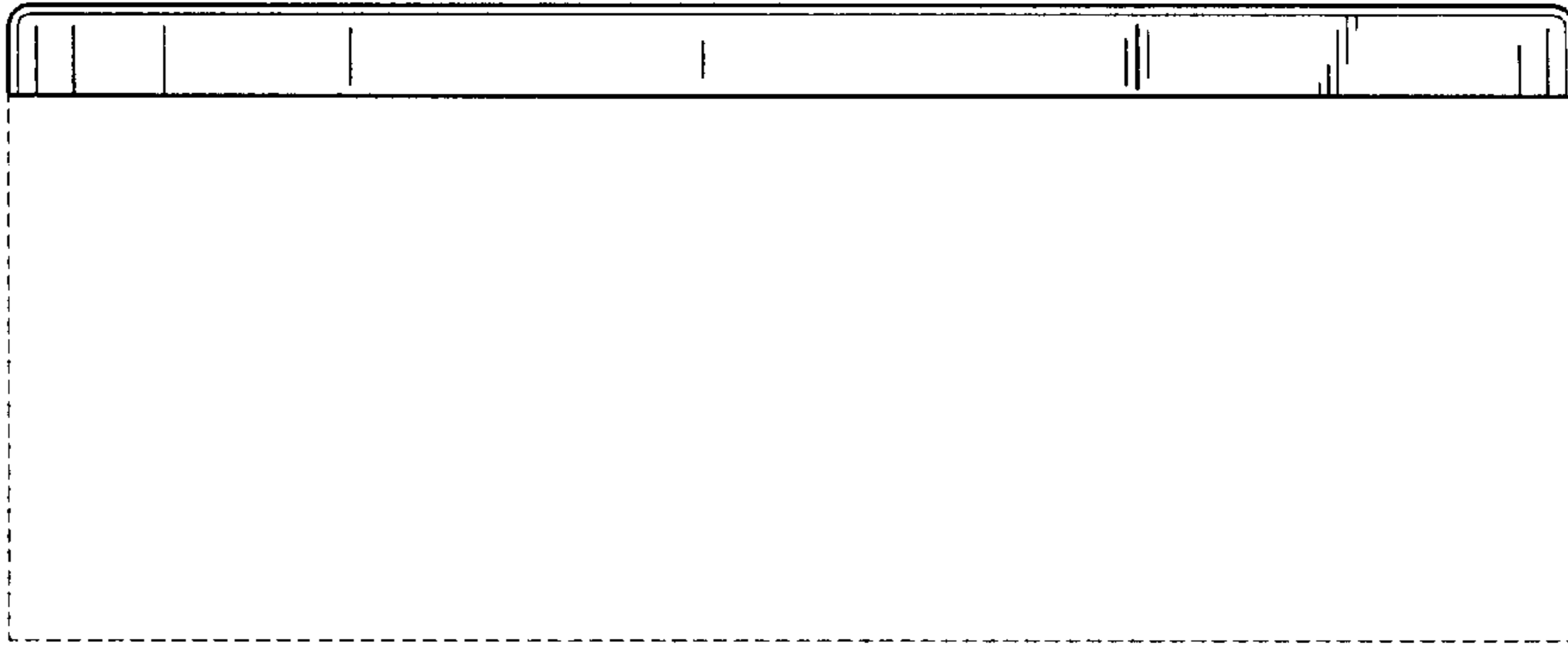


*FIG. 1*

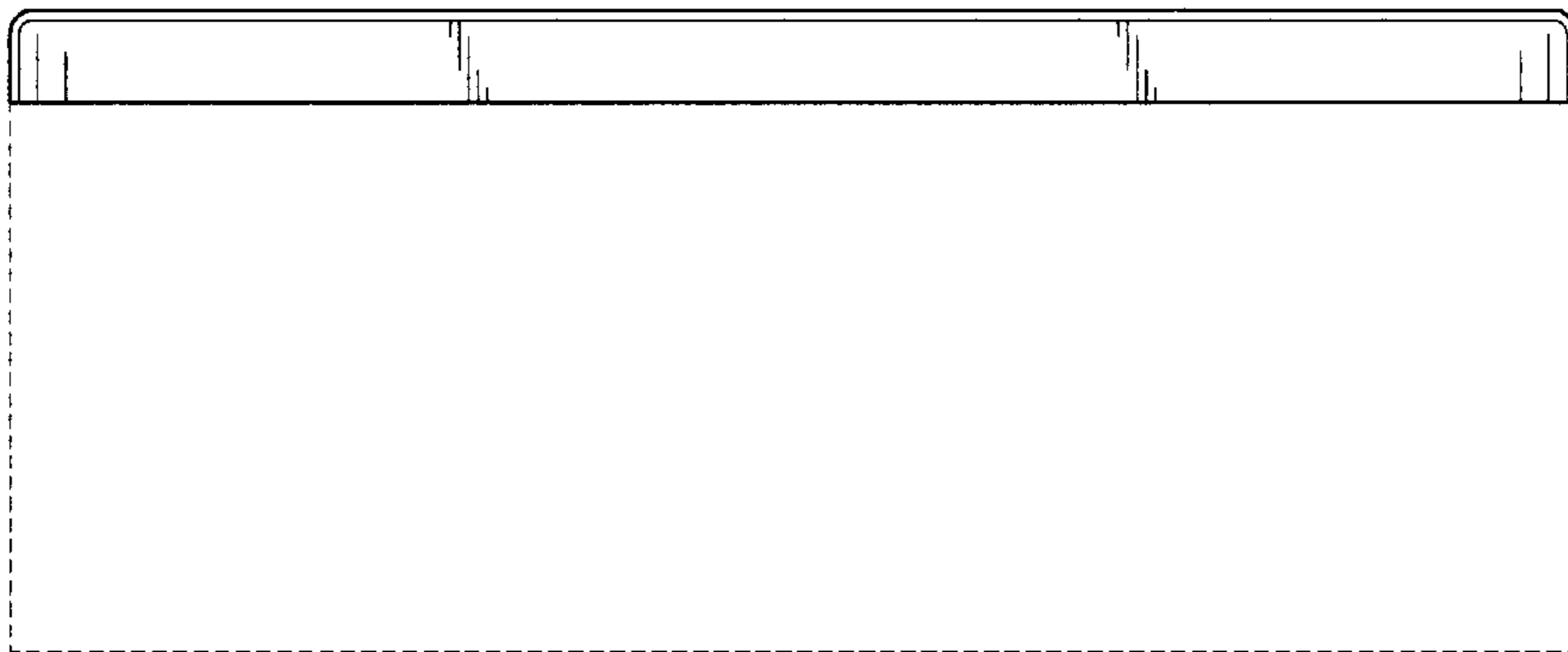


*FIG. 2*

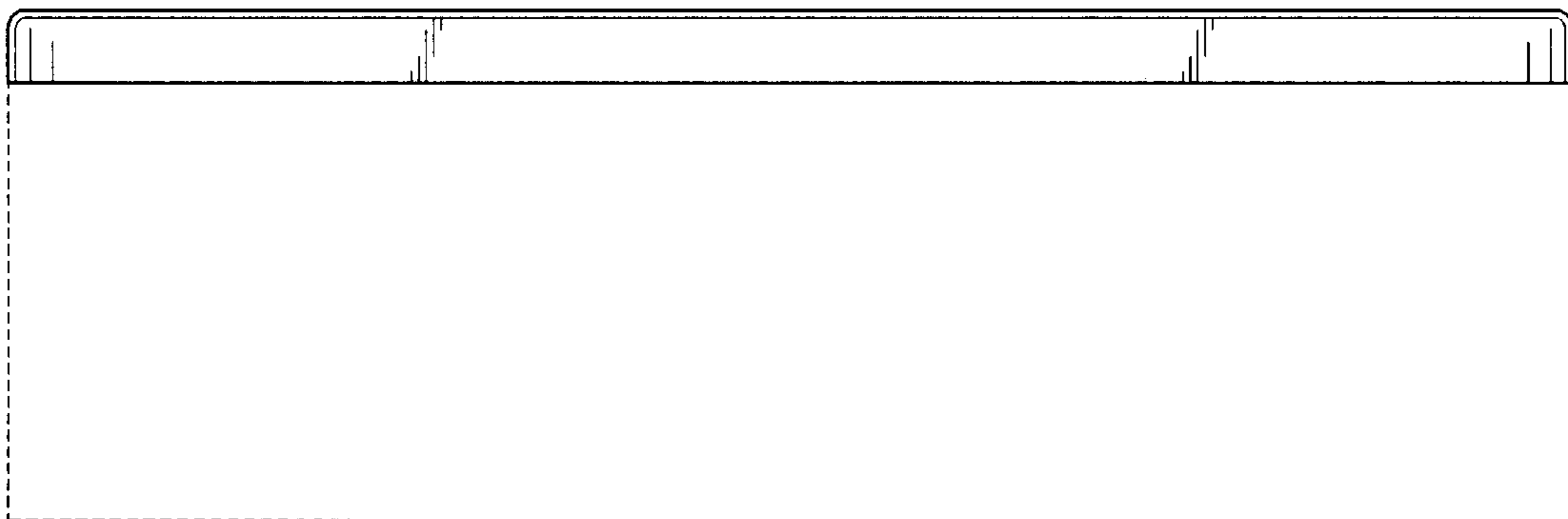




*FIG. 5*



*FIG. 6*



*FIG. 7*