

US00D522659S

(12) **United States Design Patent**
Cote

(10) **Patent No.:** **US D522,659 S**
(45) **Date of Patent:** **** Jun. 6, 2006**

(54) **WATER JET MASSAGE APPARATUS**

(75) Inventor: **David M. Cote**, Groton, CT (US)

(73) Assignee: **Aqua Massage International**, Mystic, CT (US)

(**) Term: **14 Years**

(21) Appl. No.: **29/216,927**

(22) Filed: **Nov. 9, 2004**

(51) **LOC (8) Cl.** **24-02**

(52) **U.S. Cl.** **D24/202**

(58) **Field of Classification Search** D24/201-203;
4/524, 528, 529, 530, 532, 536; 607/81, 90,
607/91; 601/16, 49
See application file for complete search history.

(56) **References Cited**

U.S. PATENT DOCUMENTS

D52,426 S	*	9/1918	Blanchard	D24/203
D266,700 S	*	10/1982	Higgins	D24/202
4,565,188 A	*	1/1986	Hardie	601/16
4,712,538 A	*	12/1987	Hardie et al.	601/16
D297,863 S	*	9/1988	Hardie et al.	D24/203
D317,650 S	*	6/1991	Soder	D24/202
5,101,809 A	*	4/1992	Daffer et al.	601/16
D326,720 S	*	6/1992	Garrison et al.	D24/202
D377,530 S	*	1/1997	Daffer et al.	D24/202
5,645,578 A	*	7/1997	Daffer et al.	607/91
D384,416 S	*	9/1997	Daffer et al.	D24/203
D413,388 S	*	8/1999	Daffer et al.	D24/202
D433,144 S	*	10/2000	Park	D24/203

D451,606 S	*	12/2001	Daffer et al.	D24/202
D453,834 S	*	2/2002	Daffer et al.	D24/202
6,497,717 B1	*	12/2002	Daffer et al.	607/81
6,613,071 B1	*	9/2003	Fujii	607/91
D491,669 S	*	6/2004	Daffer et al.	D24/202

* cited by examiner

Primary Examiner—Ian Simmons

Assistant Examiner—Melanie Levy

(74) *Attorney, Agent, or Firm*—Melvin I. Stoltz

(57) **CLAIM**

The ornamental design for a water jet massage apparatus, as shown and described.

DESCRIPTION

FIG. 1 is a perspective view of the water jet massage apparatus shown in the closed position of my new design; FIG. 2 is a front elevation of the water jet massage apparatus of FIG. 1;

FIG. 3 is a left side elevation view of the water jet massage apparatus of FIG. 1, the right side being a mirror image thereof;

FIG. 4 is a left side elevation view of the water jet massage apparatus shown in the open position;

FIG. 5 is a rear elevation view of the water jet massage apparatus of FIG. 1; and,

FIG. 6 is a top plan view of the water jet massage apparatus of FIG. 1.

The broken lines are for illustrative purposes only and form no part of the claimed design.

1 Claim, 3 Drawing Sheets

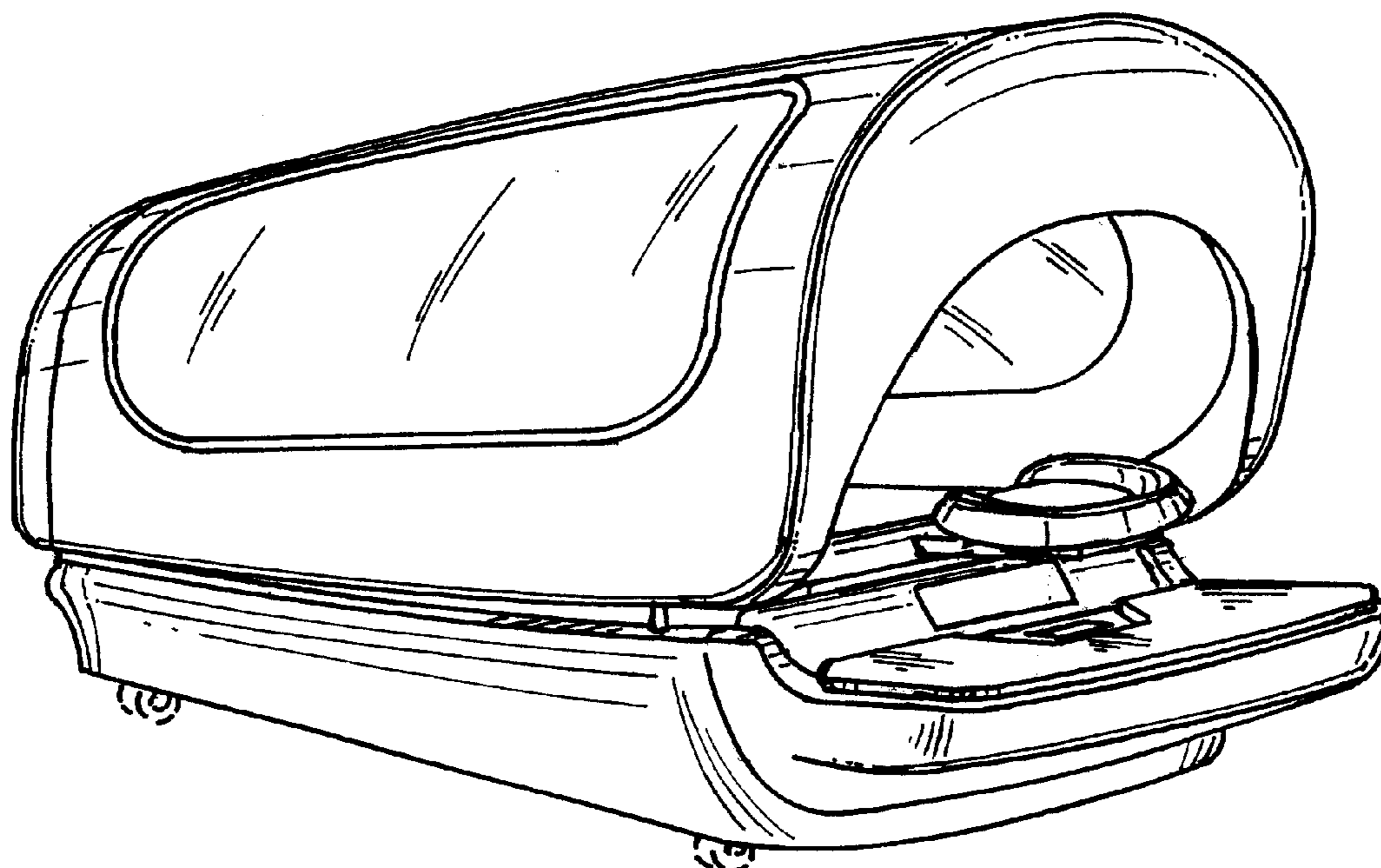


FIG. 1

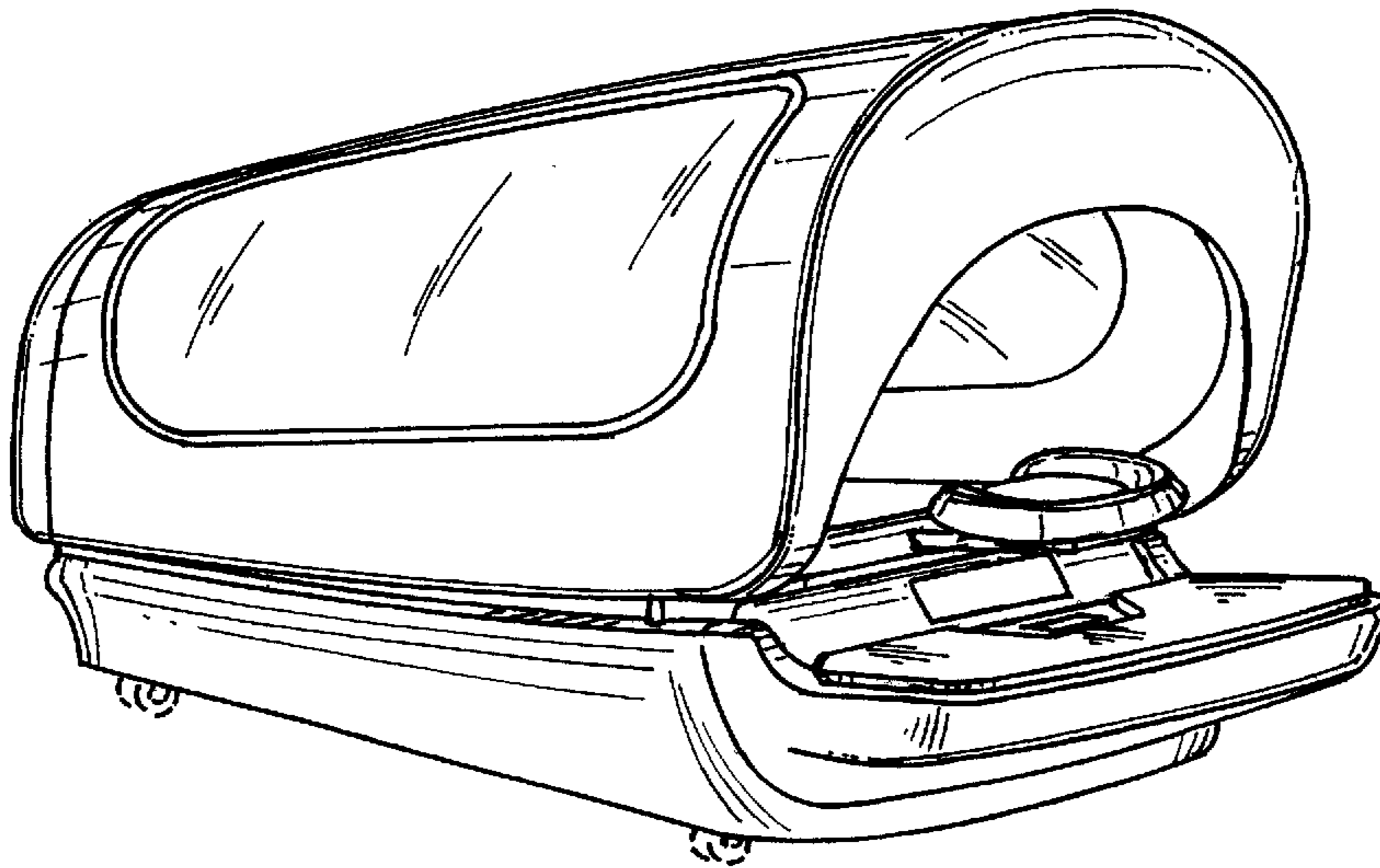


FIG. 2

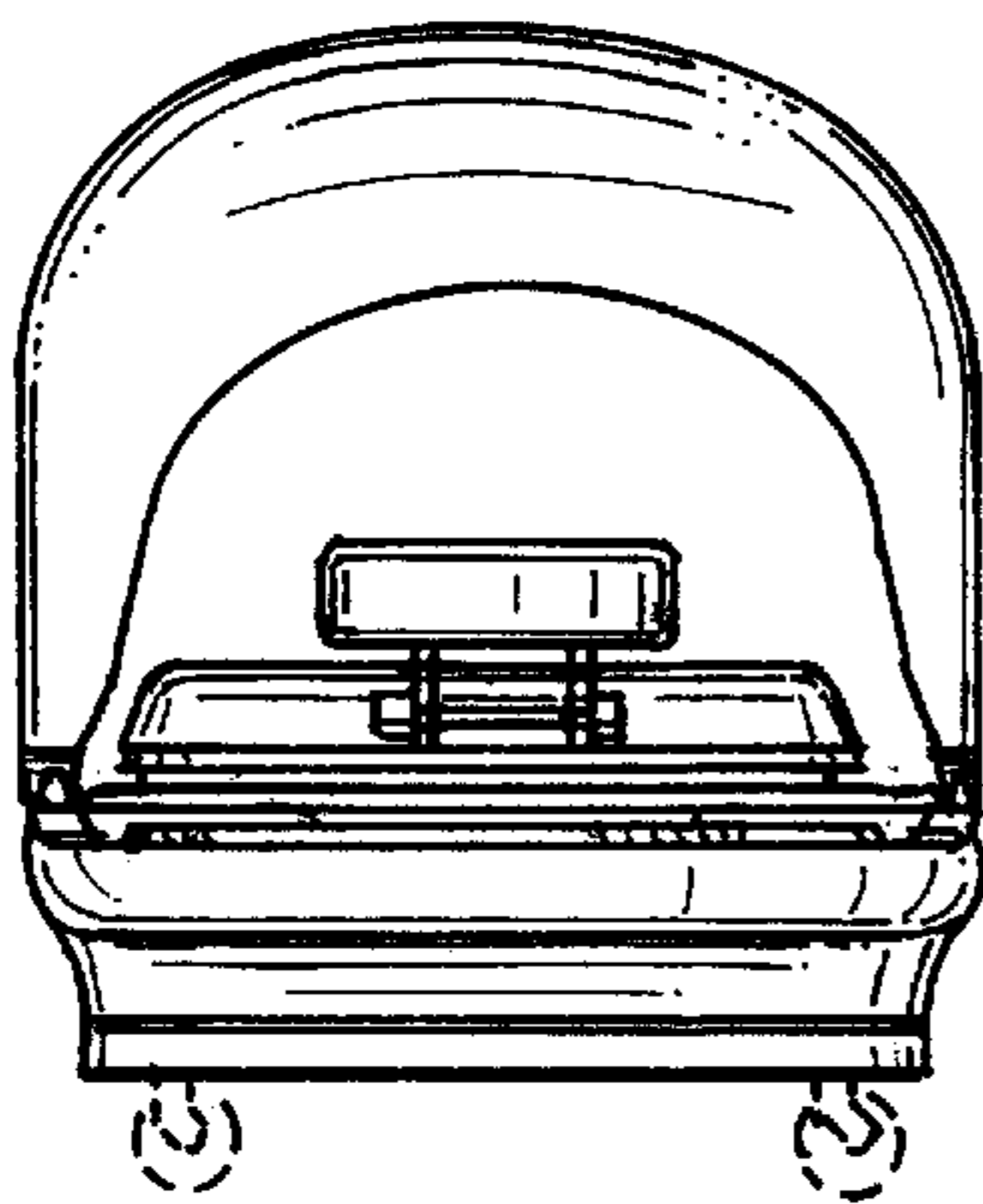


FIG. 5

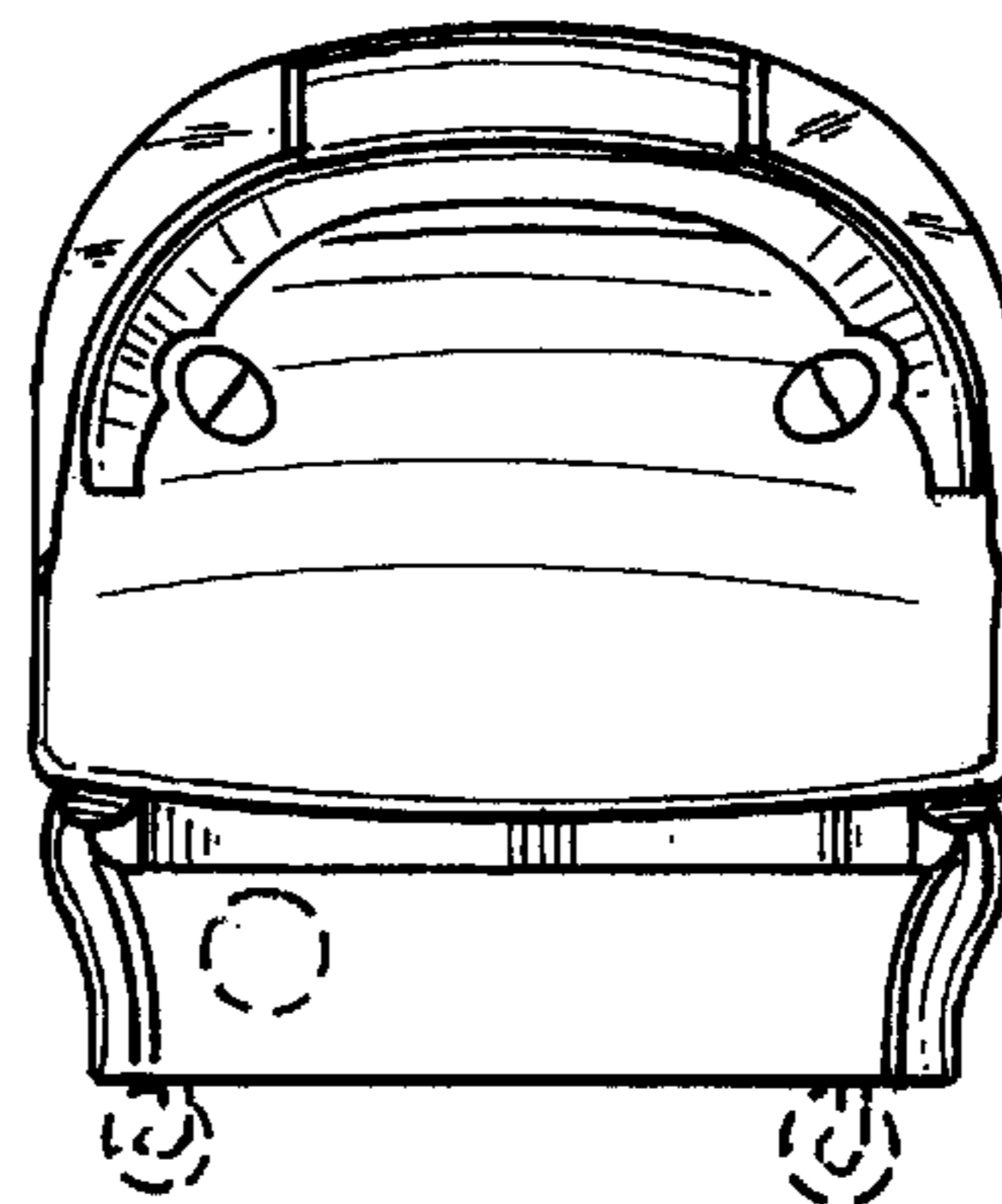


FIG. 3

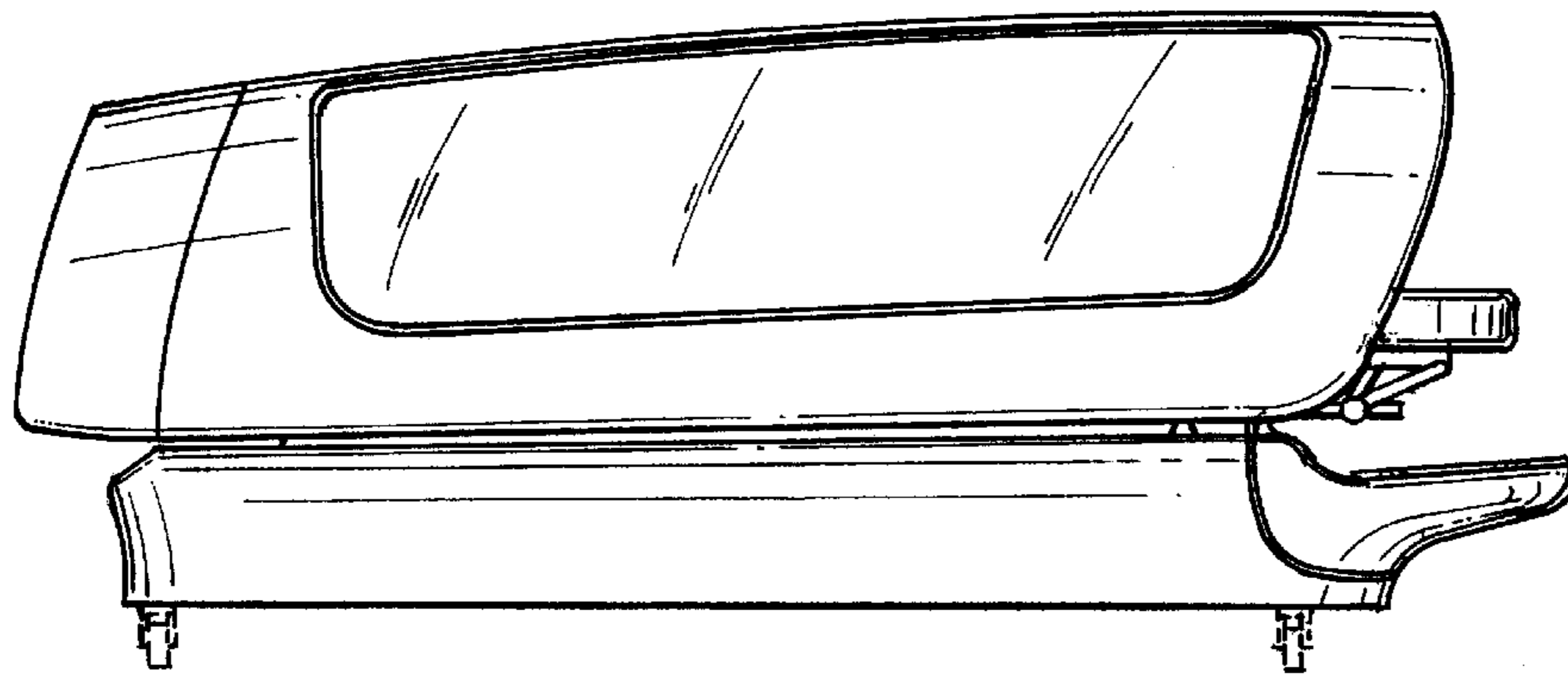


FIG. 4

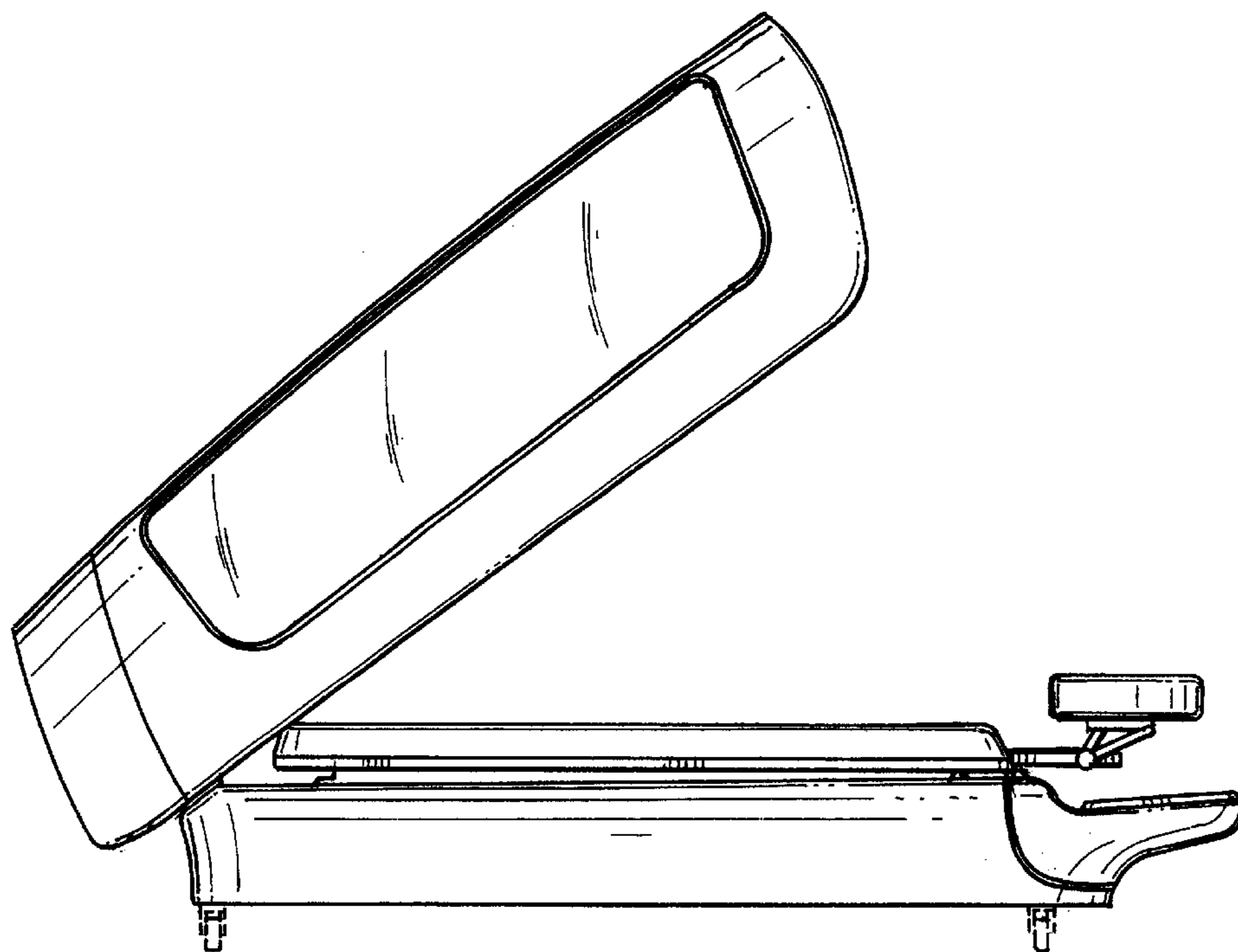


FIG. 6

