



US00D522658S

(12) **United States Design Patent**
Schiavoni

(10) **Patent No.:** **US D522,658 S**

(45) **Date of Patent:** **** Jun. 6, 2006**

(54) **RESILIENT CHEWING DEVICE WITH KNOBS**

(76) Inventor: **Mary E. Schiavoni**, 77 Burnham Rd., Saco, ME (US) 04072

(**) Term: **14 Years**

(21) Appl. No.: **29/228,168**

(22) Filed: **Apr. 20, 2005**

(51) **LOC (8) Cl.** **24-04**

(52) **U.S. Cl.** **D24/194**

(58) **Field of Classification Search** D24/193,
D24/194, 176, 180, 181; 482/11; 433/69;
606/234-236

See application file for complete search history.

(56) **References Cited**

U.S. PATENT DOCUMENTS

58,186	A	*	9/1866	Bourguard	606/235
1,749,632	A	*	3/1930	Ferris	606/234
2,115,405	A		4/1938	Allen		
2,826,201	A	*	3/1958	Yoder	606/235
3,118,667	A		1/1964	Barons		
3,867,770	A		2/1975	Davis		
D273,990	S	*	5/1984	Lamsam	D24/194
4,997,182	A		3/1991	Kussick		
5,213,553	A		5/1993	Light		
D336,520	S	*	6/1993	McDaniel	D24/194
5,263,976	A	*	11/1993	Williams	606/235
5,334,218	A		8/1994	Johnson		

5,649,964	A	*	7/1997	Berman et al.	606/235
5,735,772	A		4/1998	Schiavoni		
5,814,074	A		9/1998	Branam		
D404,885	S	*	2/1999	Tomaszewski et al.	D1/102
D411,623	S		6/1999	Schiavoni		
5,954,749	A	*	9/1999	Fields et al.	606/234
6,863,681	B1	*	3/2005	Dickerson	606/235
2004/0215234	A1	*	10/2004	McCardell	606/235

FOREIGN PATENT DOCUMENTS

GB	12655	6/1896
GB	2159720 A	11/1985

* cited by examiner

Primary Examiner—Charles A. Rademaker
(74) *Attorney, Agent, or Firm*—O'Connell Law Firm

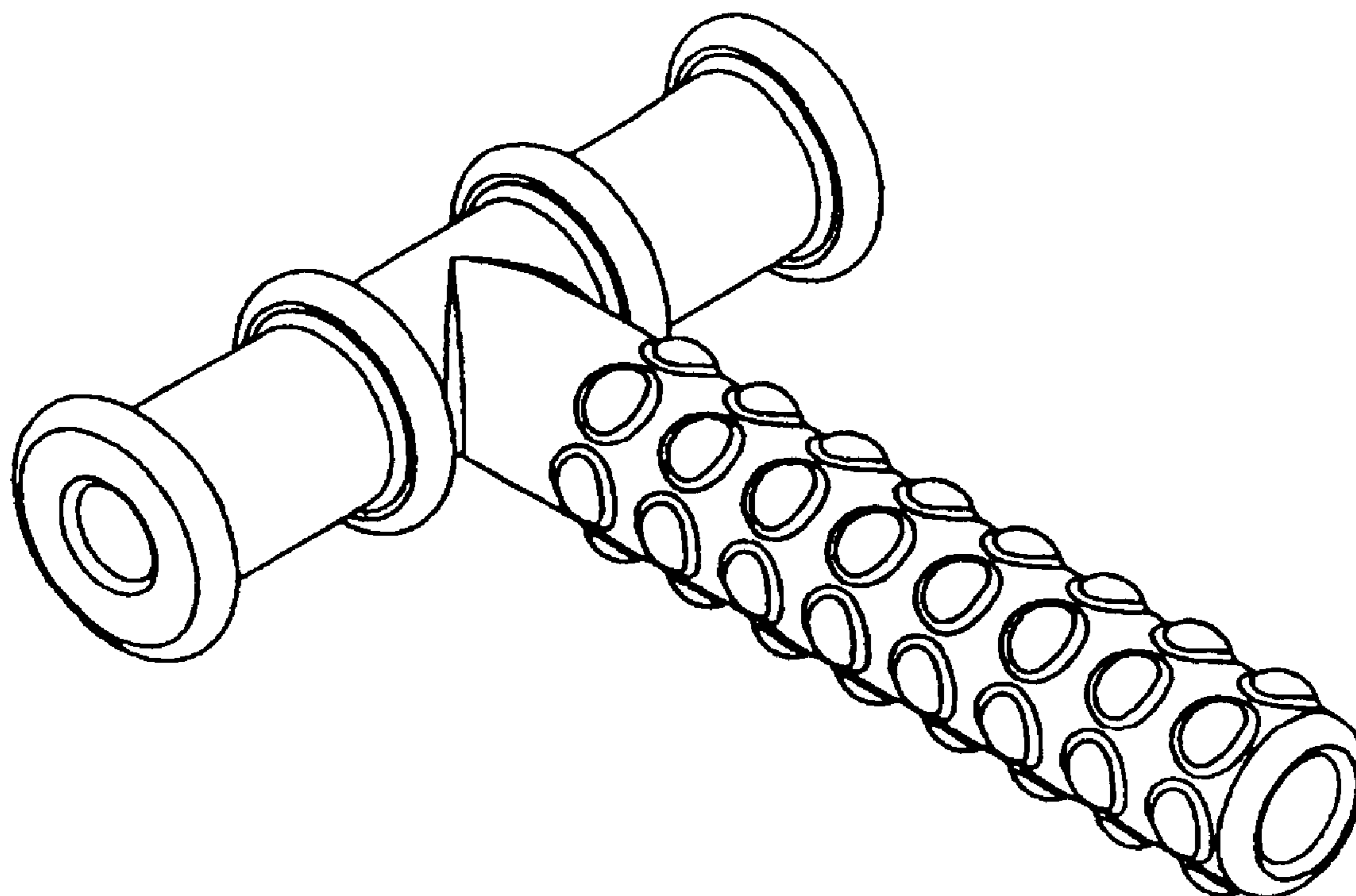
(57) **CLAIM**

The ornamental design for a resilient chewing device with knobs, as shown and described.

DESCRIPTION

FIG. 1 is a perspective view of a resilient chewing device with knobs showing my new design; FIG. 2 is a top plan view thereof, the bottom plan view being identical; FIG. 3 is a side elevation thereof, the side opposite being a mirror image; FIG. 4 is a rear elevation thereof; and, FIG. 5 is a front elevation thereof.

1 Claim, 2 Drawing Sheets



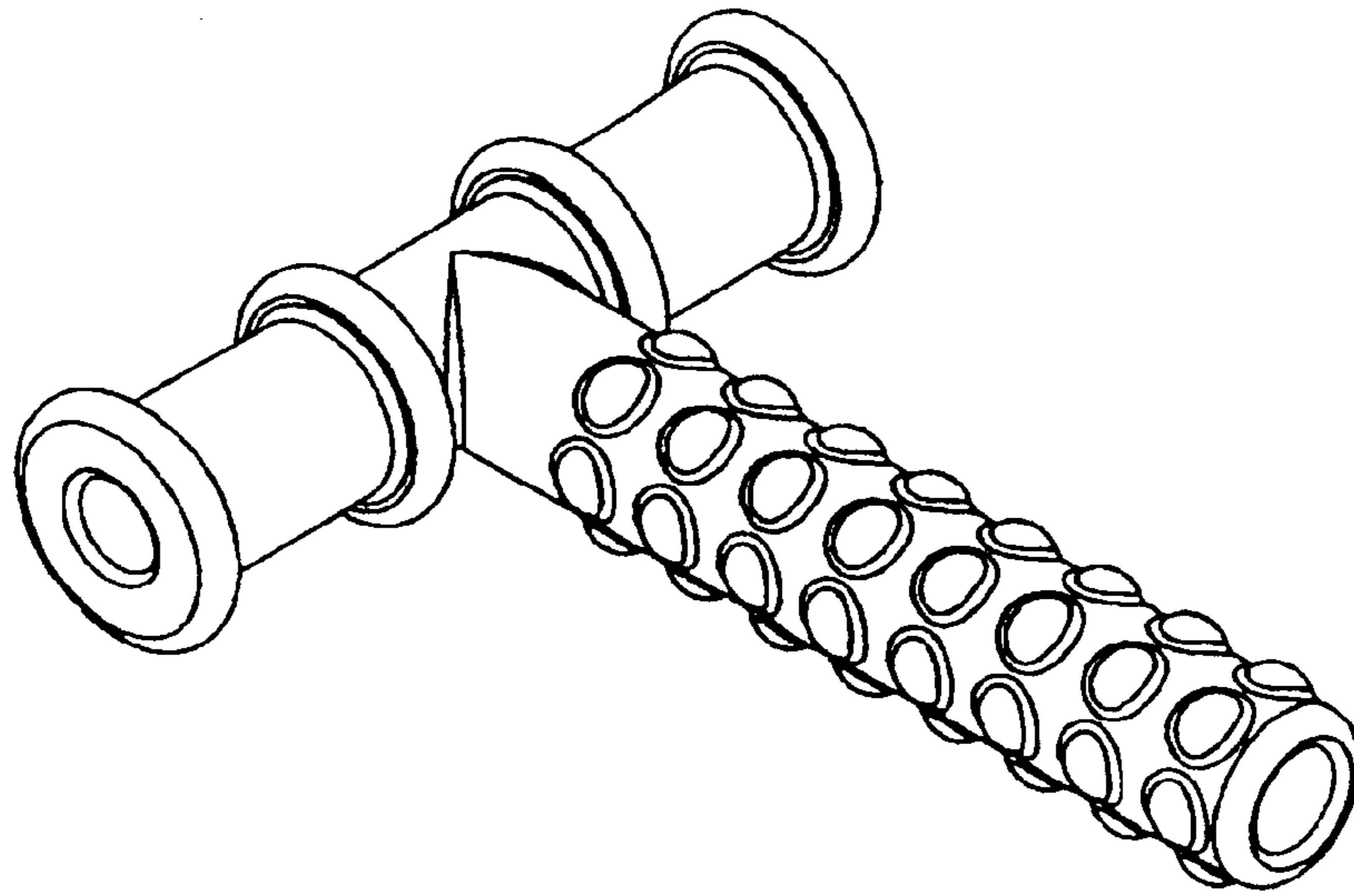


FIG. 1

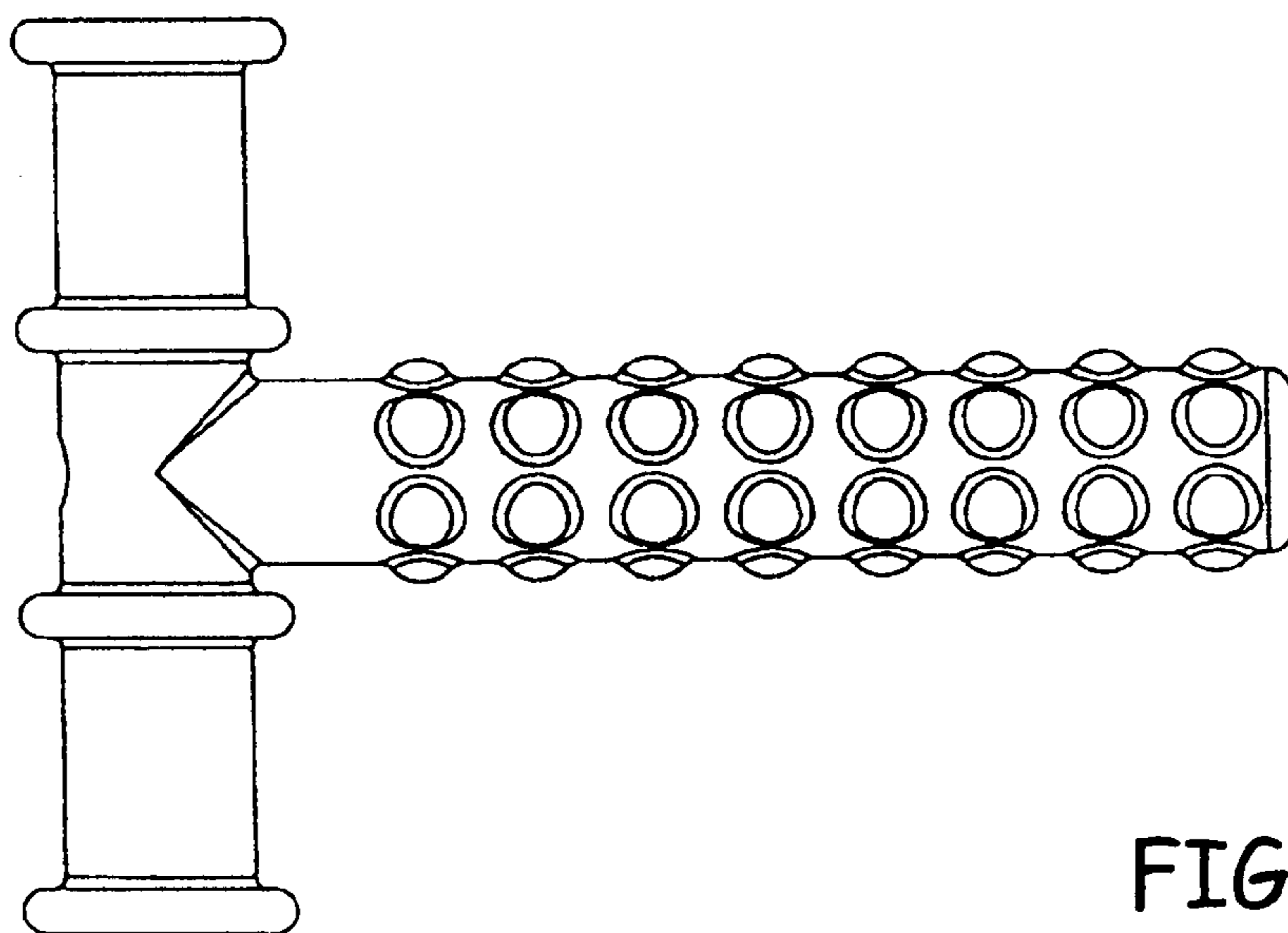


FIG. 2

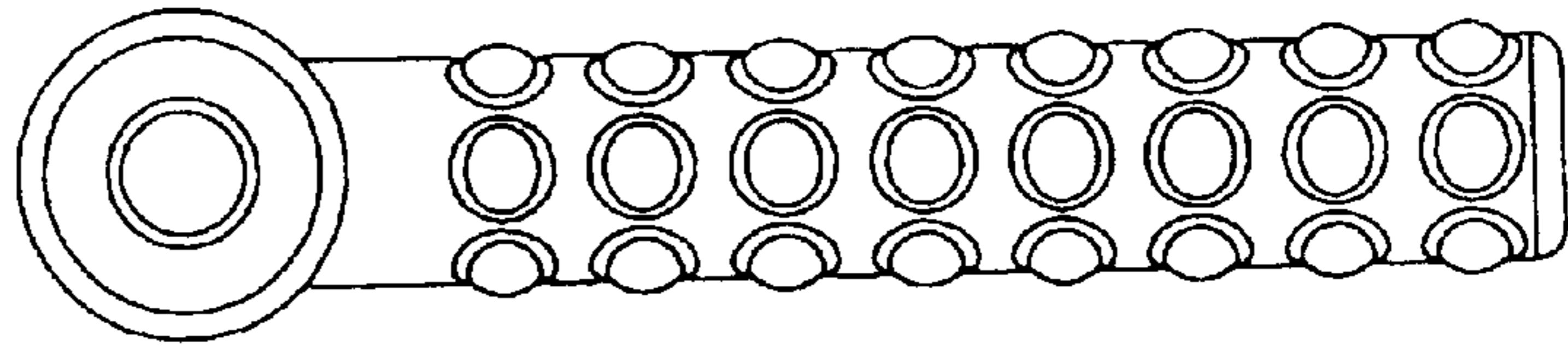


FIG. 3

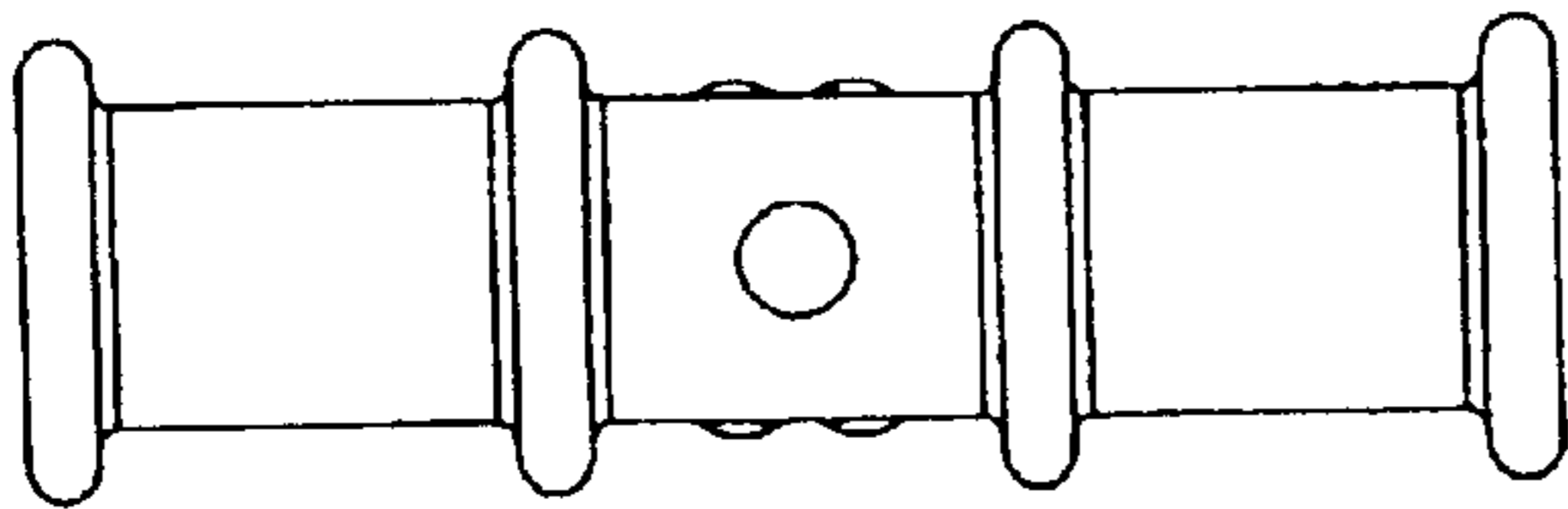


FIG. 4

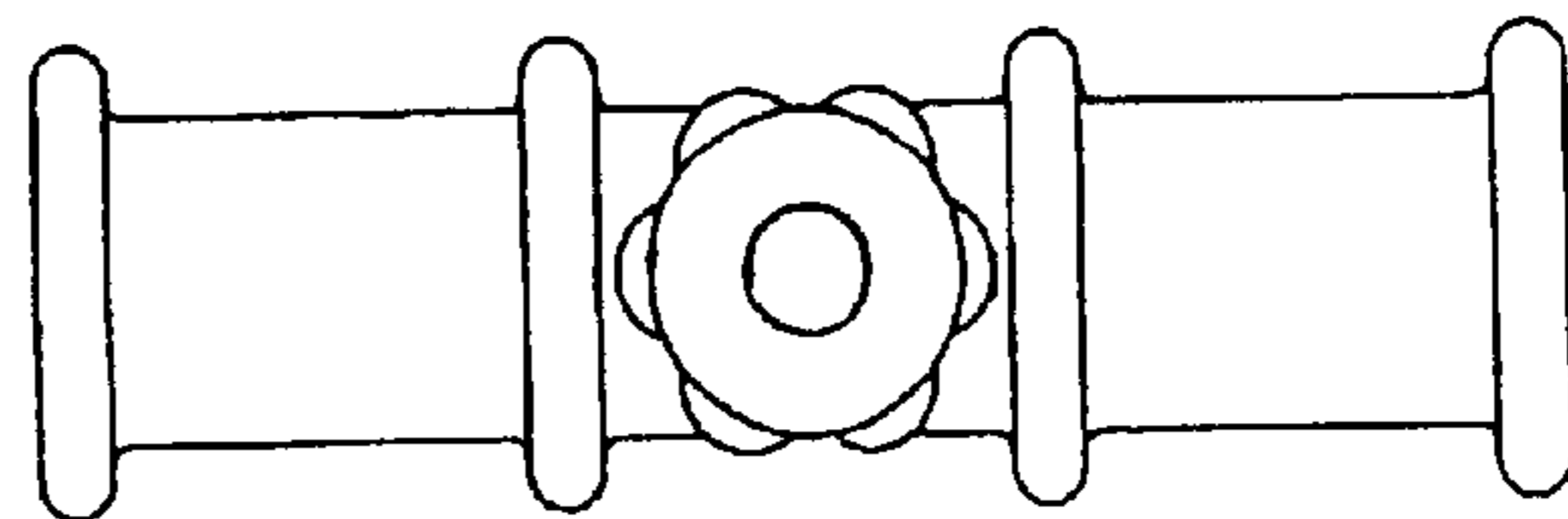


FIG. 5