

US00D522651S

(12) **United States Design Patent**
French

(10) **Patent No.:** **US D522,651 S**
(45) **Date of Patent:** **** Jun. 6, 2006**

(54) **LOW PROFILE TAP**

FOREIGN PATENT DOCUMENTS

(75) Inventor: **Nigel French**, Lincoln (GB)

EP	0 580 384	1/1994
GB	2 166 222	4/1986
GB	2 269 884	2/1994
WO	WO 00/59416	10/2000
WO	WO 02/91963	11/2002

(73) Assignee: **Mentor Medical Limited**, Lancing (GB)

(**) Term: **14 Years**

* cited by examiner

(21) Appl. No.: **29/190,234**

Primary Examiner—Louis S. Zarfaz

(22) Filed: **Sep. 17, 2003**

Assistant Examiner—Daniel Yu

(30) **Foreign Application Priority Data**

(74) *Attorney, Agent, or Firm*—Fish & Richardson P.C., P.A.

Mar. 17, 2003 (GB) 3011684

(57) **CLAIM**

(51) **LOC (8) Cl.** **24-02**

The ornamental design for a low profile tap, as shown and described.

(52) **U.S. Cl.** **D24/113**

(58) **Field of Classification Search** D24/129,
D24/113, 189, 188; D23/226, 236, 233, 209,
D23/245; 602/41-47; 137/378, 383, 375;
604/246-249, 533

DESCRIPTION

See application file for complete search history.

FIG. 1 is a perspective view of a tap, with connective tubing, cap surface texture, and directive arrows shown in phantom lines.

(56) **References Cited**

FIG. 2 is a top view of the tap shown in FIG. 1.

U.S. PATENT DOCUMENTS

FIG. 3 is a bottom view of the tap shown in FIG. 1.

D257,286 S * 10/1980 Folkman D24/129

FIG. 4 is a right side view of the tap shown in FIG. 1.

D357,735 S * 4/1995 McPhee D24/129

FIG. 5 is a left side view of the tap shown in FIG. 1.

5,919,174 A * 7/1999 Hanson 604/533

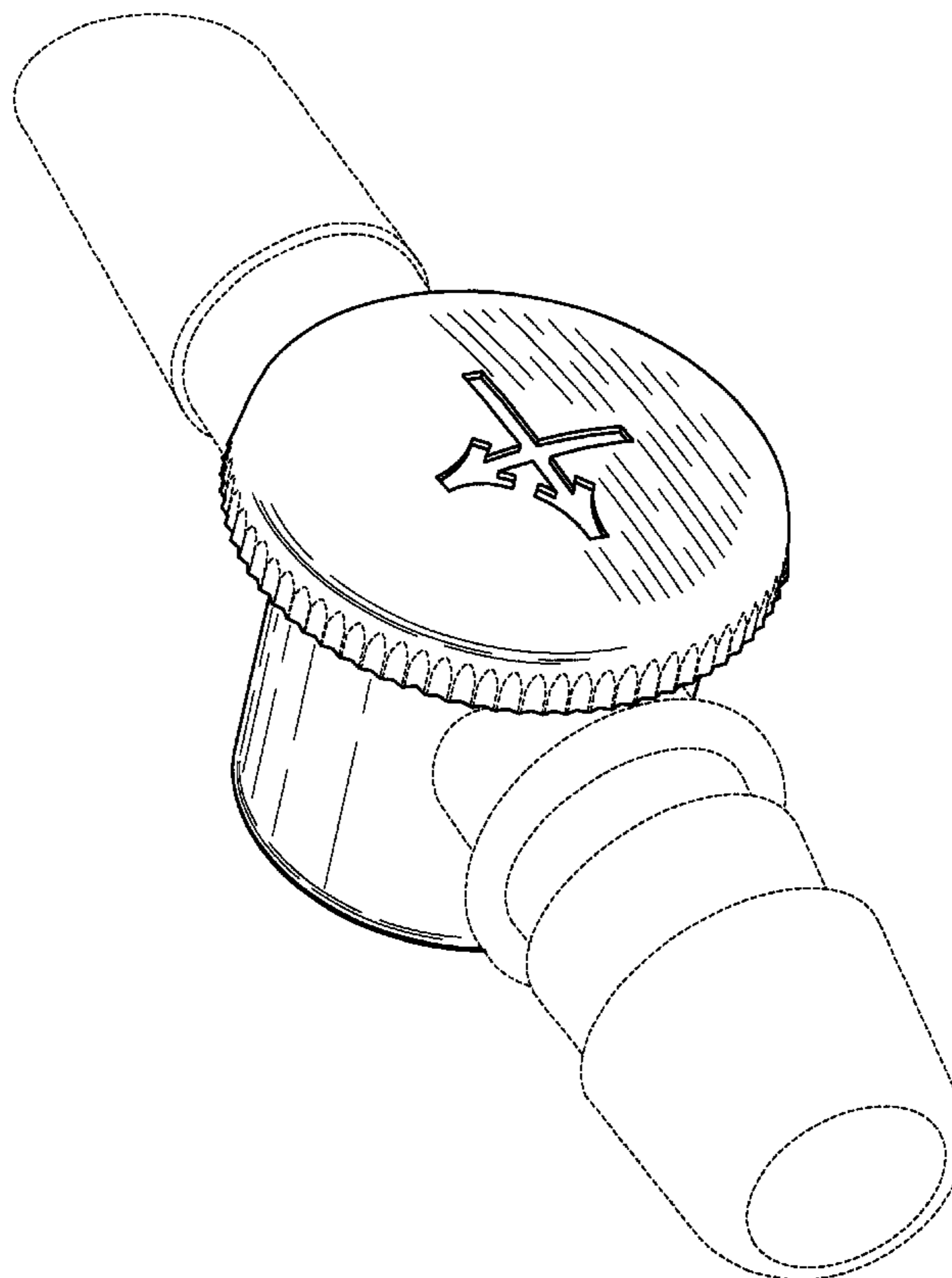
FIG. 6 is a front view of the tap shown in FIG. 1; and,

D473,631 S * 4/2003 Lai D23/245

FIG. 7 is a back view of the tap shown in FIG. 1.

D476,718 S * 7/2003 Ferrer Beltran D23/209

1 Claim, 4 Drawing Sheets



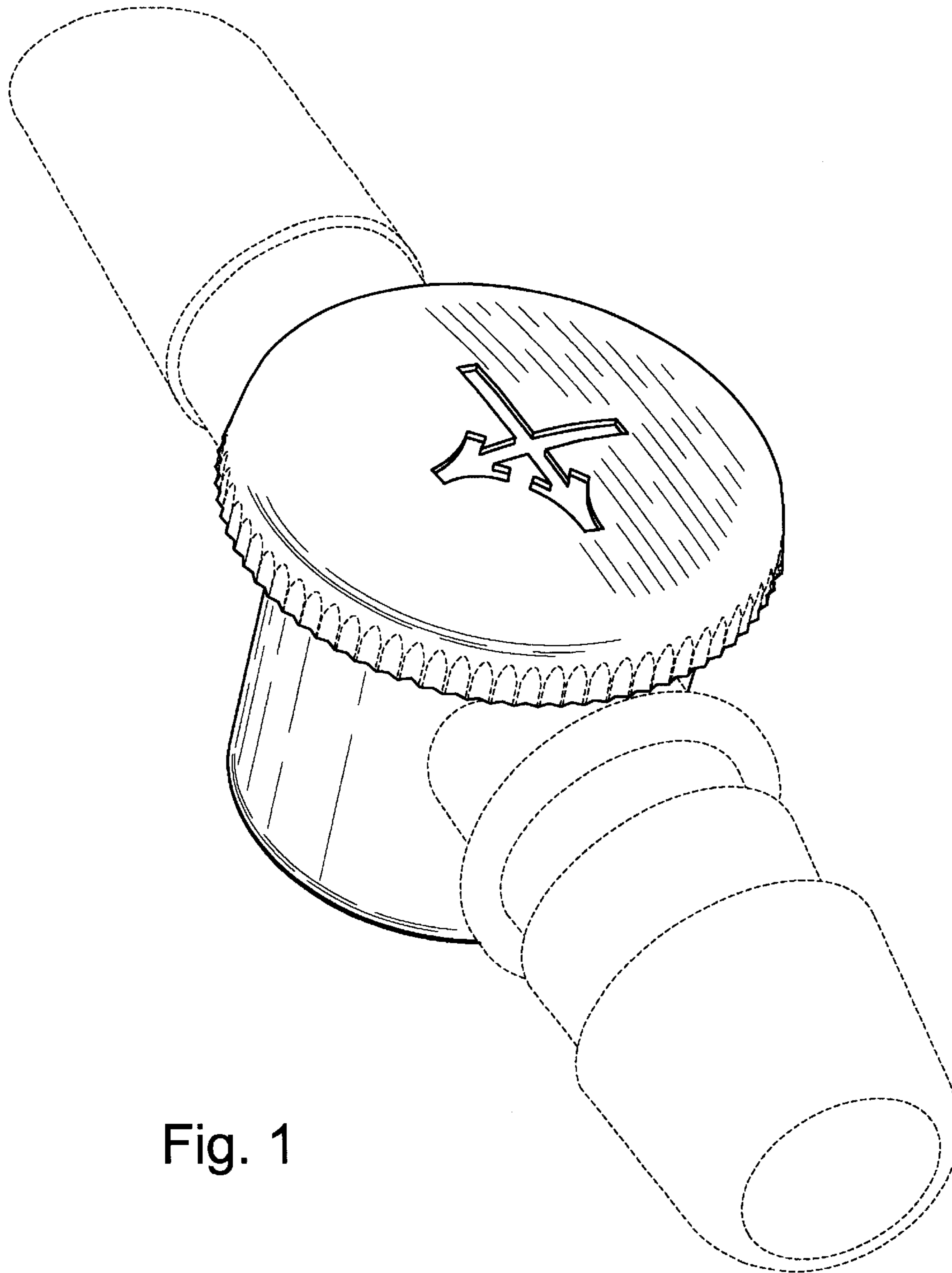


Fig. 1

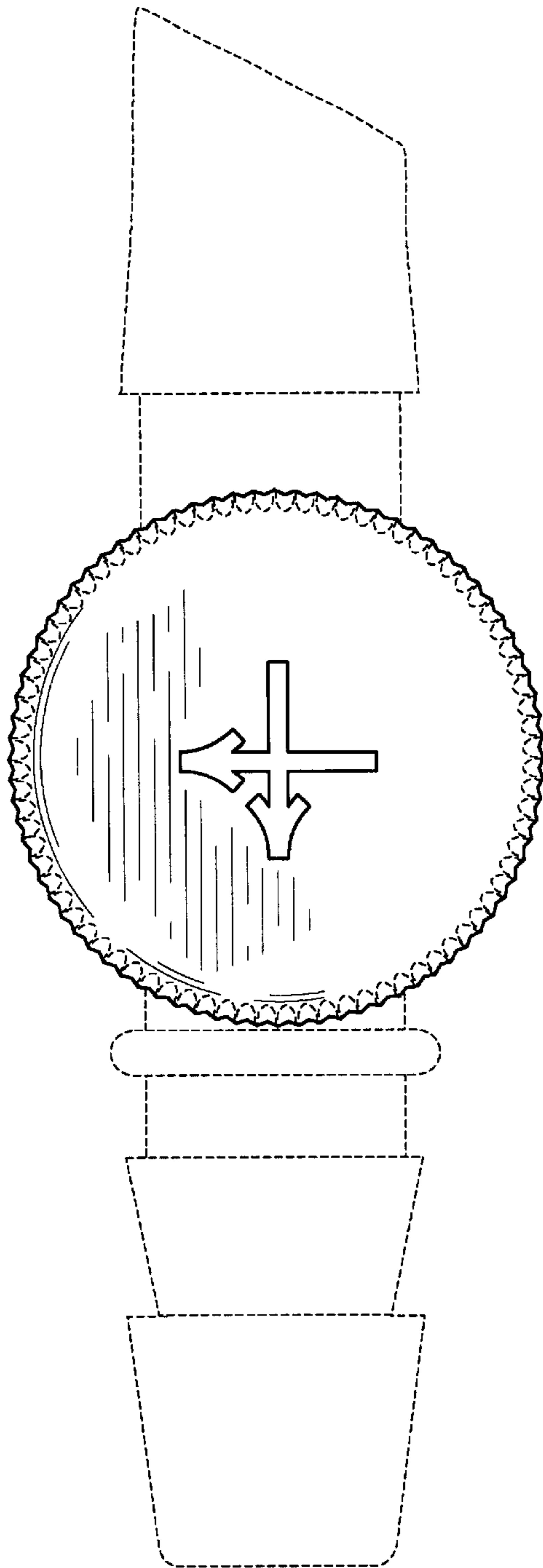


Fig. 2

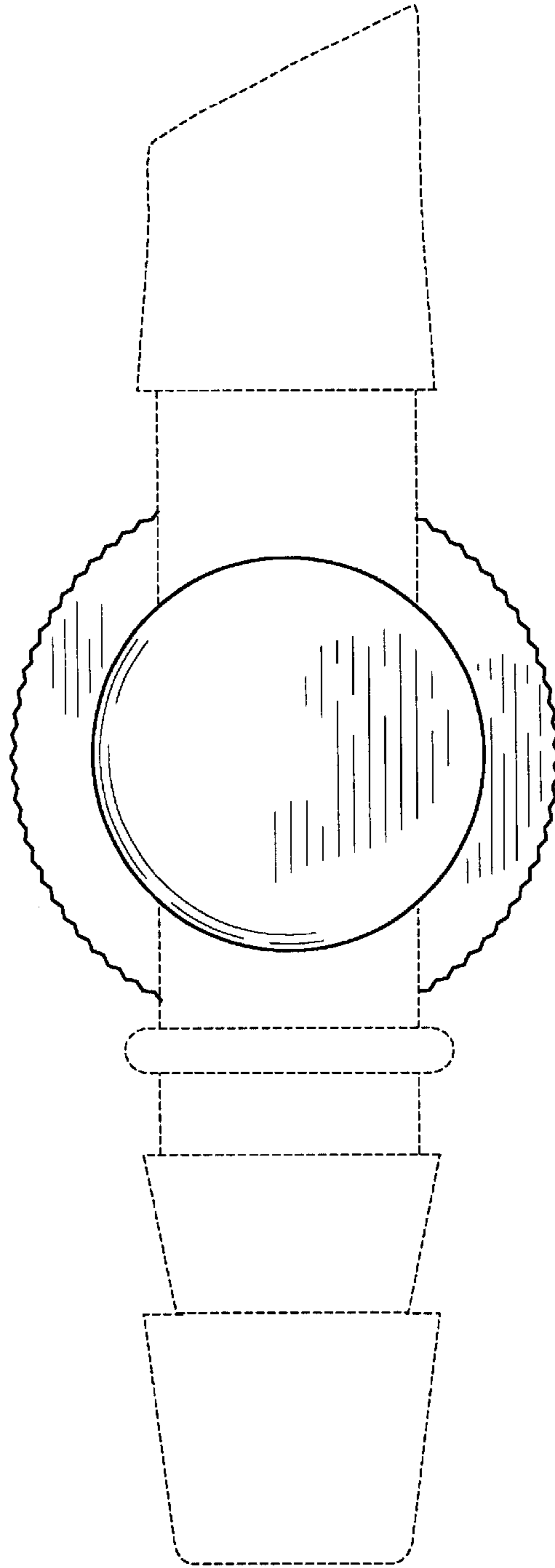


Fig. 3

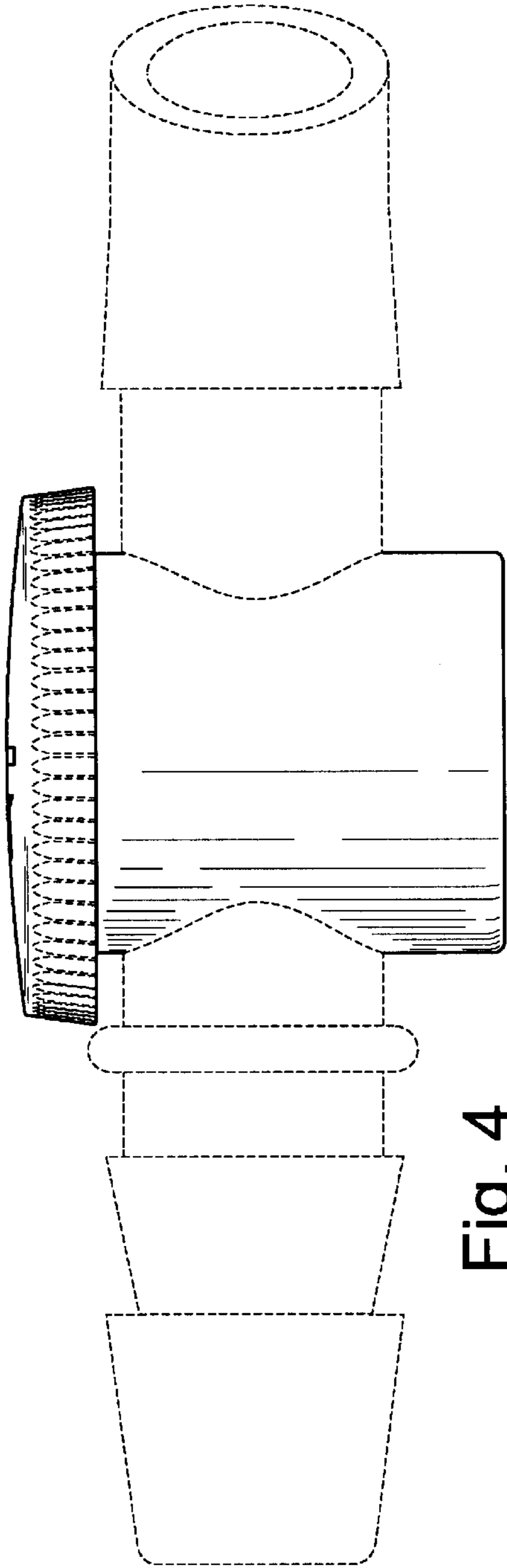


Fig. 4

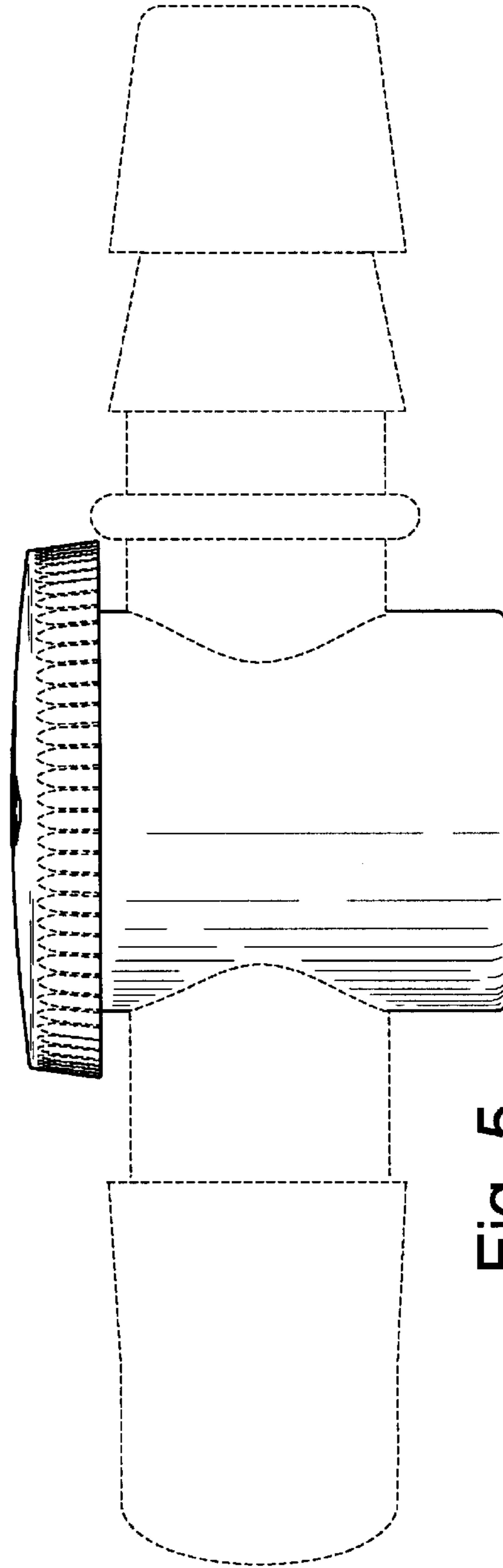


Fig. 5

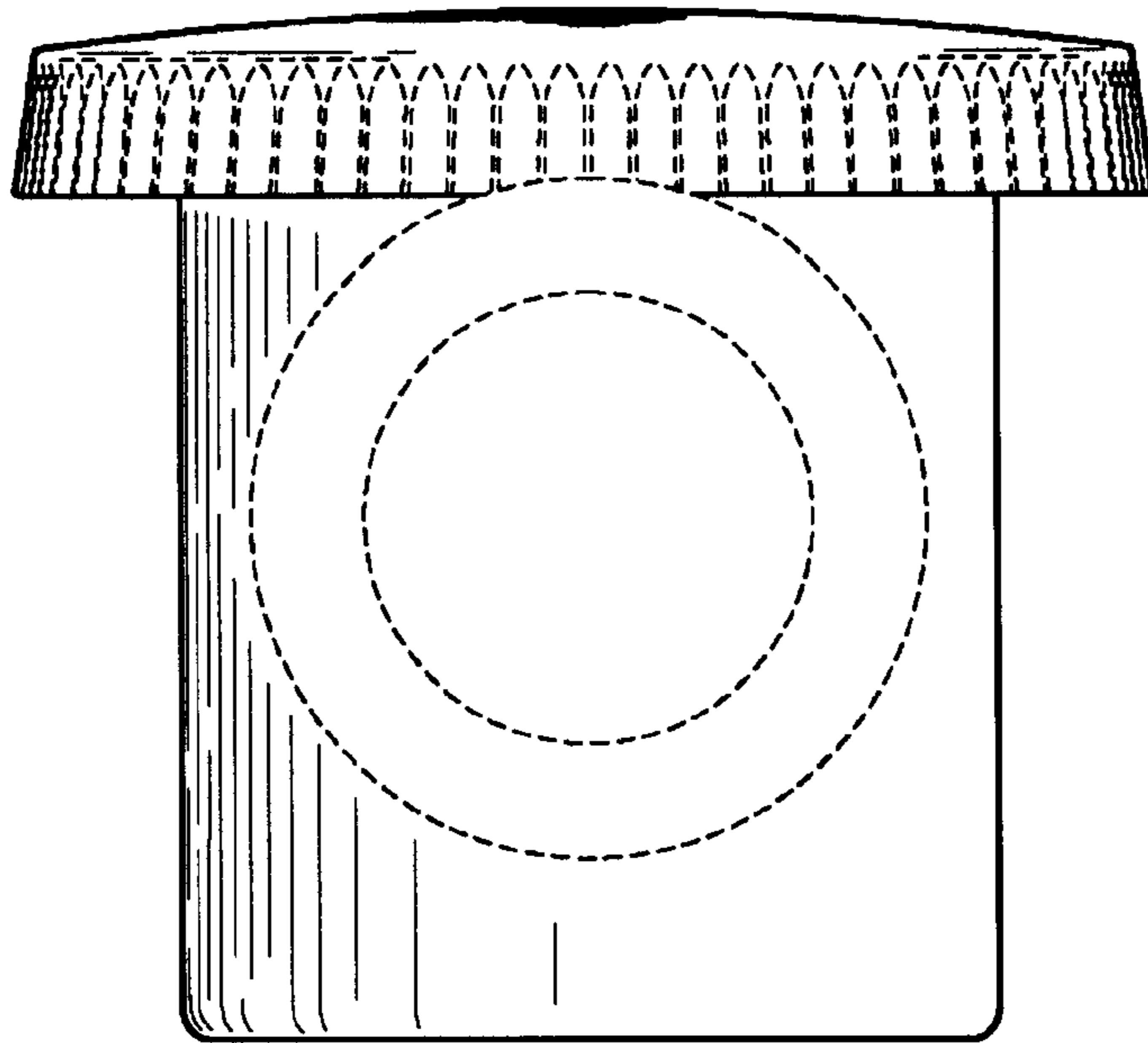


Fig. 6

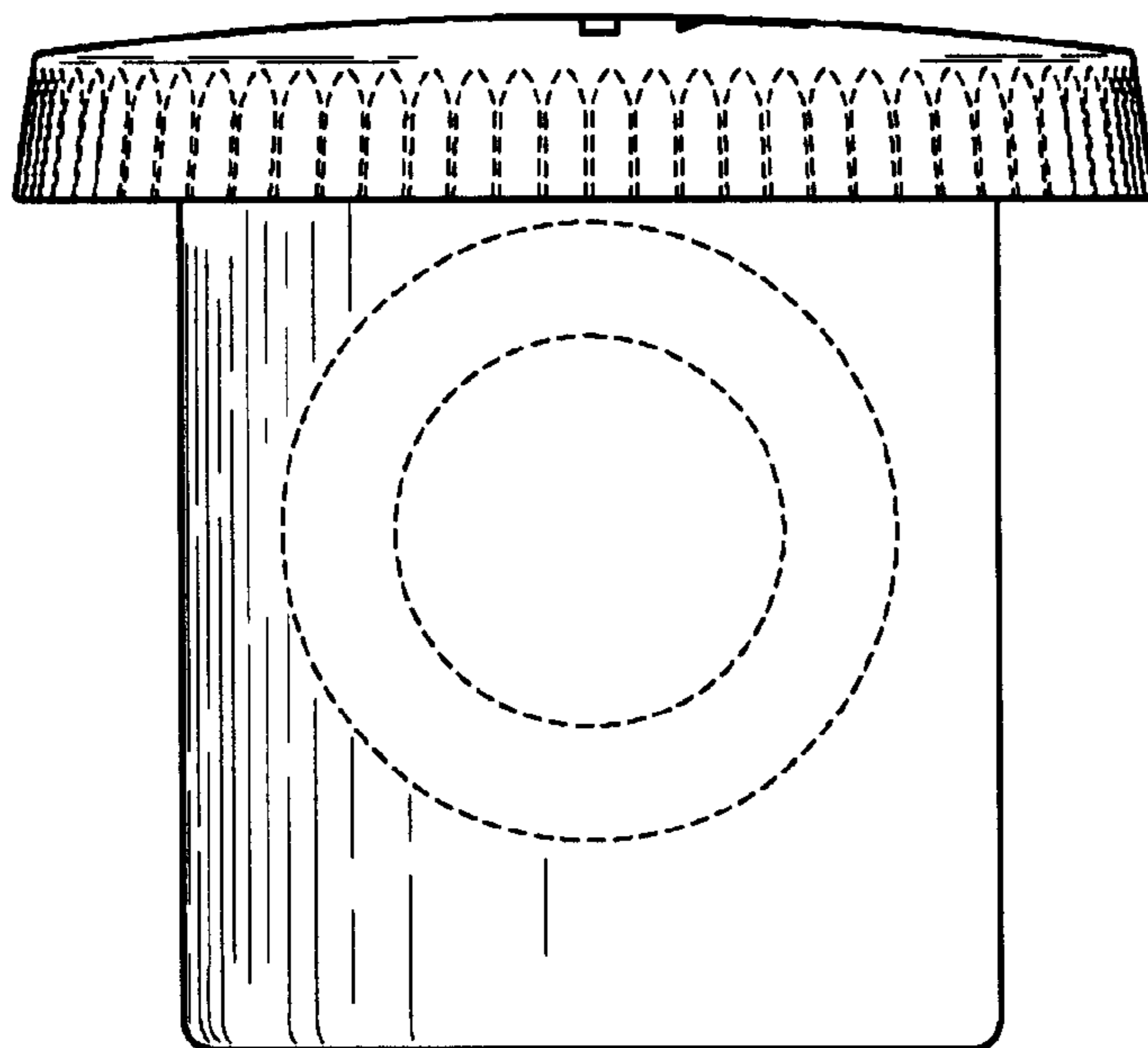


Fig. 7

UNITED STATES PATENT AND TRADEMARK OFFICE
CERTIFICATE OF CORRECTION

PATENT NO. : Des. 522,651 S
APPLICATION NO. : 29/190234
DATED : June 6, 2006
INVENTOR(S) : Nigel French

Page 1 of 1

It is certified that error appears in the above-identified patent and that said Letters Patent is hereby corrected as shown below:

Title Page, Description, please delete "FIG. 1 is a perspective view of a tap, with connective tubing, cap surface texture, and directive arrows shown in phantom lines." and insert --FIG. 1 is a perspective view of a tap, the broken line showing of connective tubing and cap surface texture is for illustrative purposes only and forms no part of the claimed design.-- therefor.

Signed and Sealed this

Eleventh Day of May, 2010

A handwritten signature in black ink that reads "David J. Kappos". The signature is written in a cursive, flowing style.

David J. Kappos
Director of the United States Patent and Trademark Office