



US00D522649S

(12) **United States Design Patent**
Burns

(10) **Patent No.:** **US D522,649 S**

(45) **Date of Patent:** **** Jun. 6, 2006**

(54) **CEILING FAN BLADE IRON**

(75) Inventor: **James P. Burns**, Memphis, TN (US)

(73) Assignee: **Hunter Fan Company**, Memphis, TN (US)

(**) Term: **14 Years**

(21) Appl. No.: **29/234,491**

(22) Filed: **Jul. 18, 2005**

(51) **LOC (8) Cl.** **23-04**

(52) **U.S. Cl.** **D23/411**

(58) **Field of Classification Search** D23/377,
D23/379, 385, 411, 413; 416/5, 210 R

See application file for complete search history.

(56) **References Cited**

U.S. PATENT DOCUMENTS

D375,548 S	*	11/1996	Holbrook	D23/411
D387,156 S	*	12/1997	Johnson	D23/411
D417,269 S		11/1999	Thomas, Jr.		
D428,129 S		7/2000	Huang		
D436,659 S		1/2001	Campbell		
D490,514 S		5/2004	Tsuji		

OTHER PUBLICATIONS

Hunter Fan Company—2001 Ceiling Fan Selection & Special Order Guide (The Cedonia, The Ceiling Lamp, The Whisper Wind 2000, The Greenwich, The Wellesley).

Casablanca Fan Company—Year 2000 Product Catalog (The 19th Century—p. 21, The Artisan—p. 22, The Nouvelle—p. 23, The Bel Air—p. 31, The Capistrano—p. 35, The New Orleans Centennial—p. 53).

* cited by examiner

Primary Examiner—Lisa Lichtenstein

(74) *Attorney, Agent, or Firm*—Baker Donelson

(57) **CLAIM**

The ornamental design for a ceiling fan blade iron, as shown and described.

DESCRIPTION

FIG. 1 is a perspective view of a ceiling fan blade iron showing my new design.

FIG. 2 is a right side view thereof.

FIG. 3 is a left side view thereof.

FIG. 4 is a front view thereof.

FIG. 5 is a rear view thereof.

FIG. 6 is a bottom view thereof; and,

FIG. 7 is a top view thereof.

The broken lines in the views show environmental features which are for illustrative purposes only and form no part of the claimed design.

1 Claim, 3 Drawing Sheets

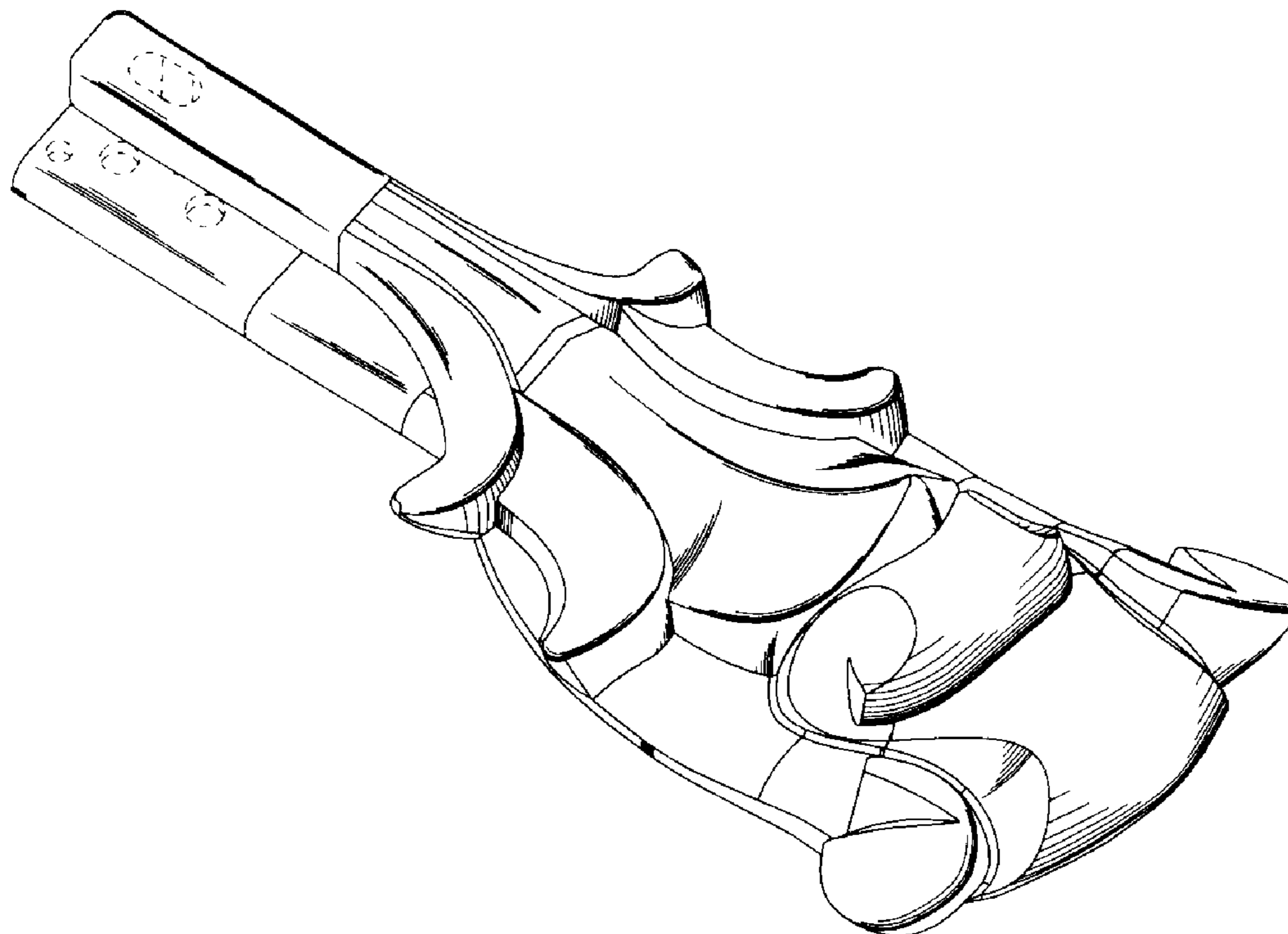


Fig. 1

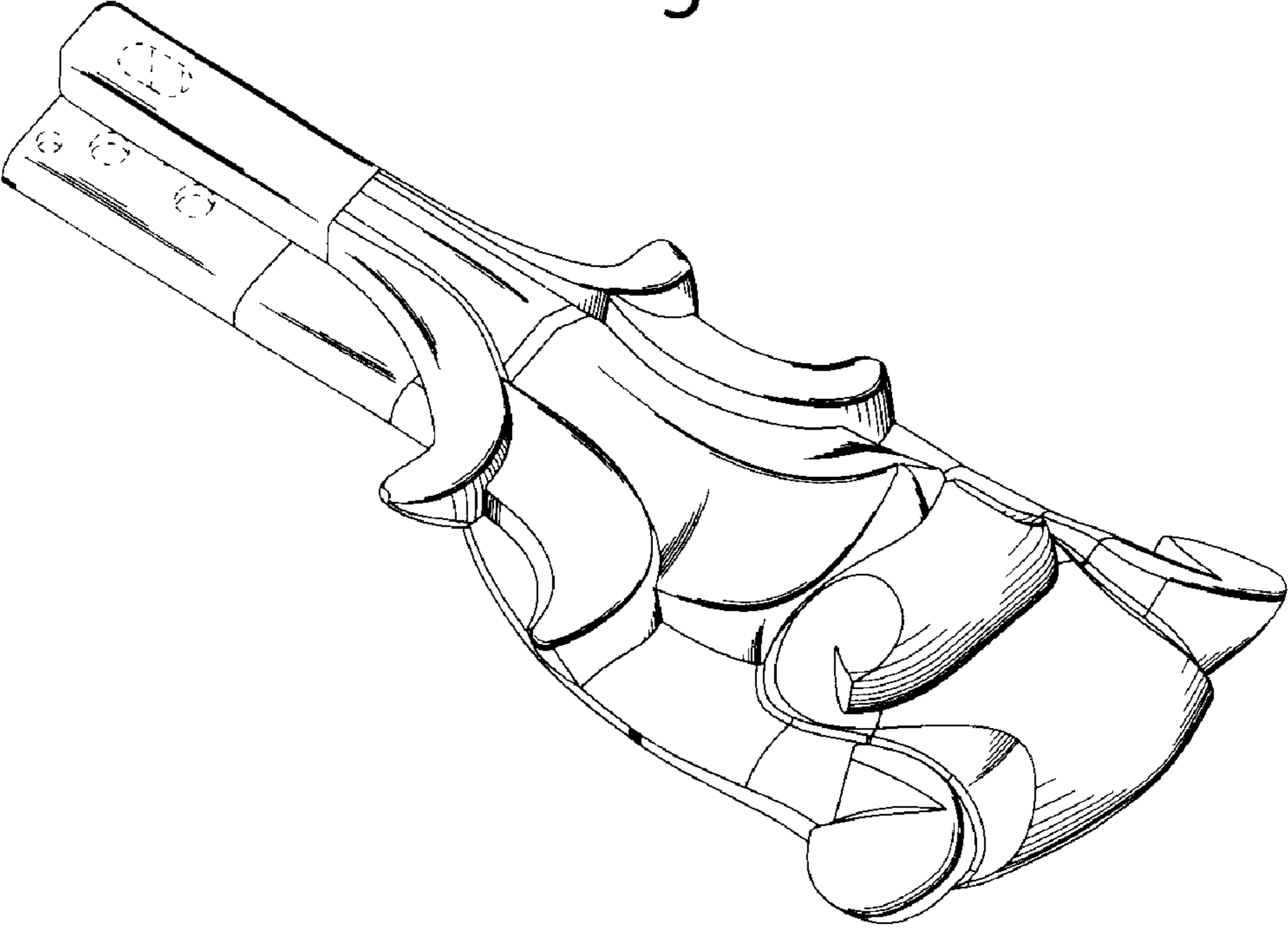


Fig. 2

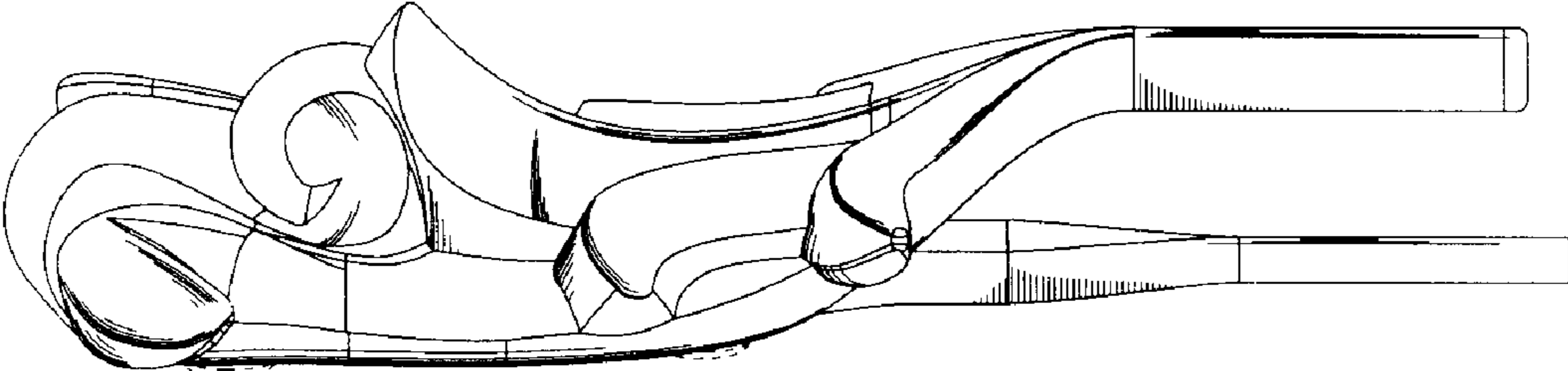


Fig. 3

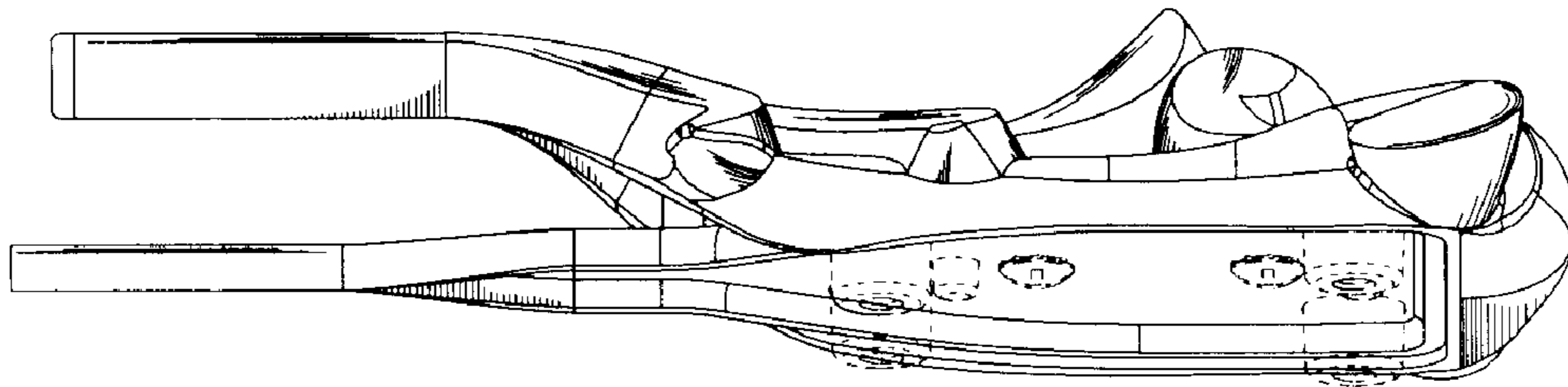


Fig. 4

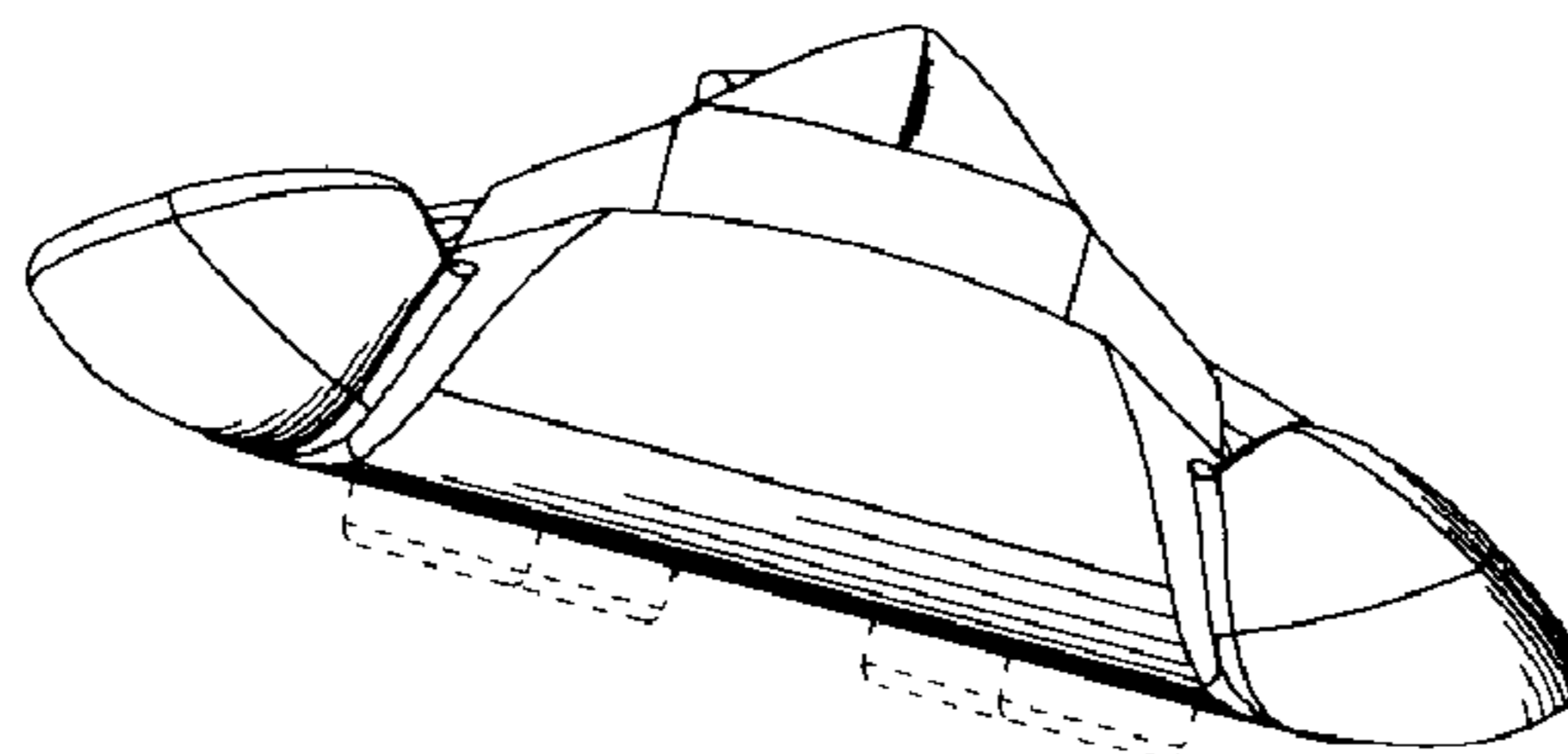


Fig. 5

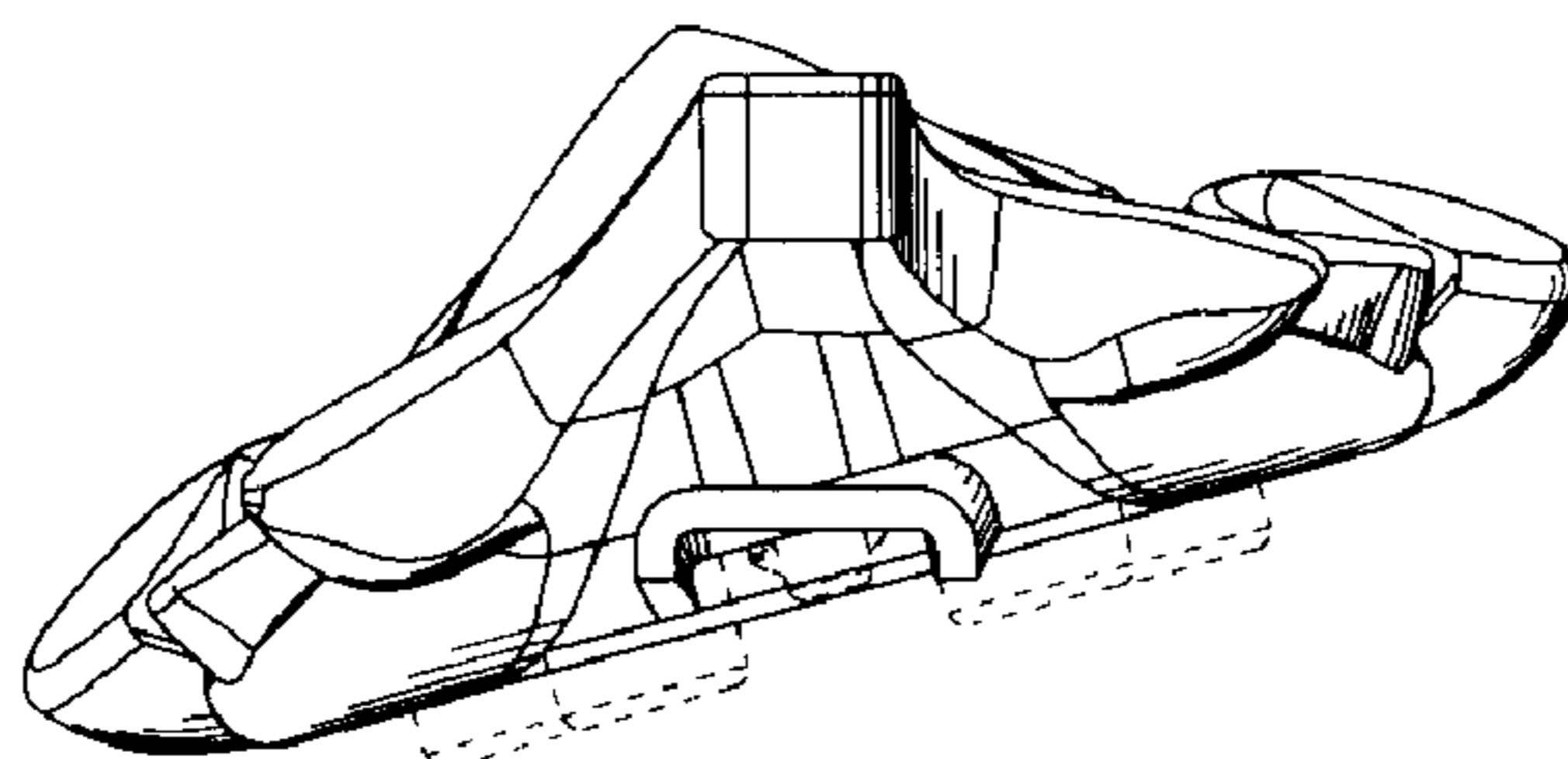


Fig. 6

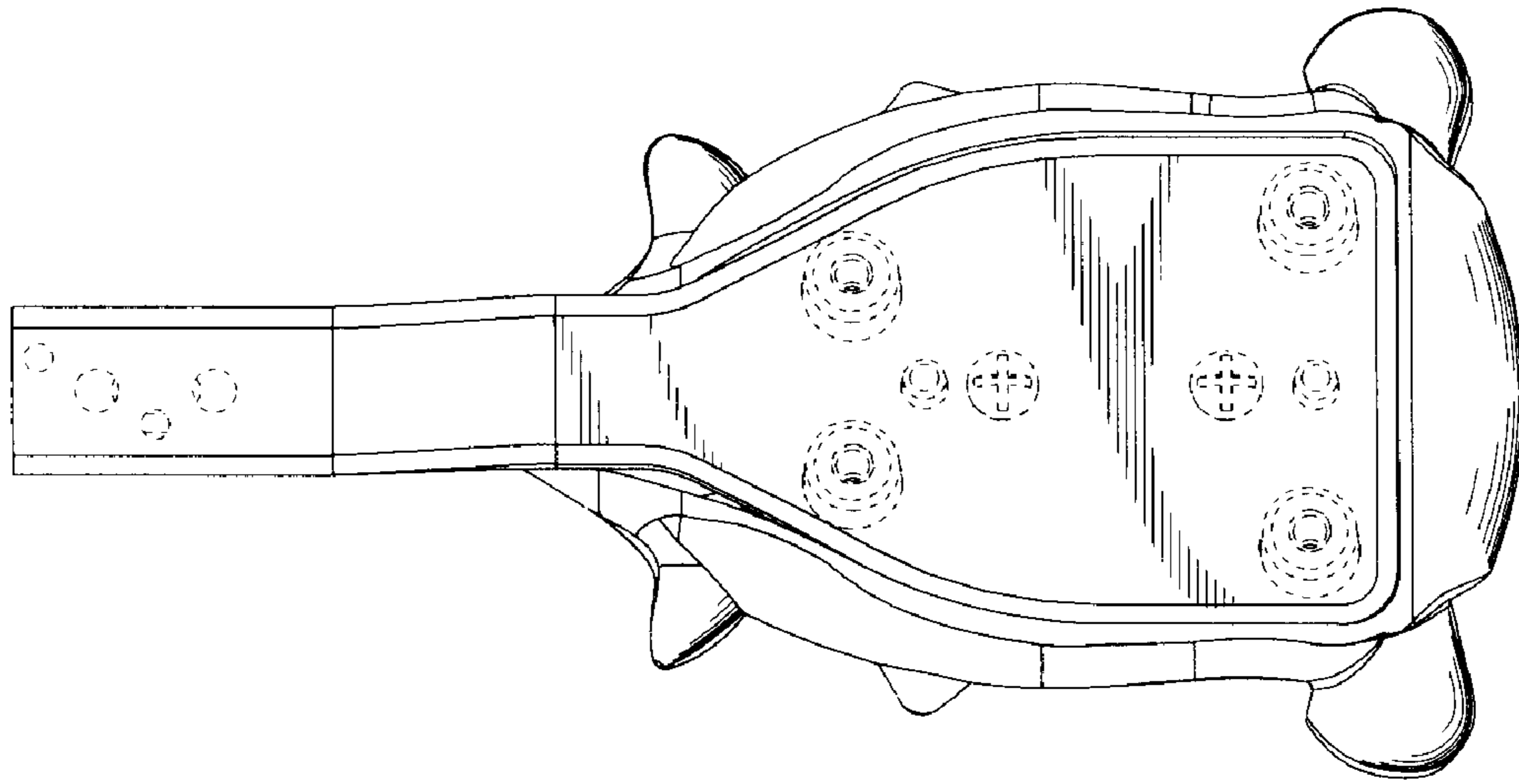


Fig. 7

