



US00D522648S

(12) **United States Design Patent**
Ertze

(10) **Patent No.:** **US D522,648 S**

(45) **Date of Patent:** **** Jun. 6, 2006**

(54) **FAN BLADE BRACKET**

(75) **Inventor:** **Pablo J. Ertze**, Rancho Cucamonga, CA (US)

(73) **Assignee:** **Air Cool Industrial Co. Ltd.**, Taichung (TW)

(**) **Term:** **14 Years**

(21) **Appl. No.:** **29/231,228**

(22) **Filed:** **Jun. 2, 2005**

(51) **LOC (8) Cl.** **23-04**

(52) **U.S. Cl.** **D23/411**

(58) **Field of Classification Search** D23/411,
D23/377, 379, 385; 416/5, 210 R
See application file for complete search history.

(56) **References Cited**

U.S. PATENT DOCUMENTS

D477,395 S * 7/2003 Thomas, Jr. D23/411
D510,430 S * 10/2005 Tai D23/411

* cited by examiner

Primary Examiner—Lisa Lichtenstein

(74) *Attorney, Agent, or Firm*—Parsons & Goltry; Michael W. Goltry; Robert A. Parsons

(57) **CLAIM**

The ornamental design for a fan blade bracket, as shown and described.

DESCRIPTION

FIG. 1 is a bottom perspective view of a fan blade bracket showing my new design;

FIG. 2 is a top perspective view thereof;

FIG. 3 is a top plan view thereof;

FIG. 4 is a right side elevational view thereof;

FIG. 5 is a front elevational view thereof;

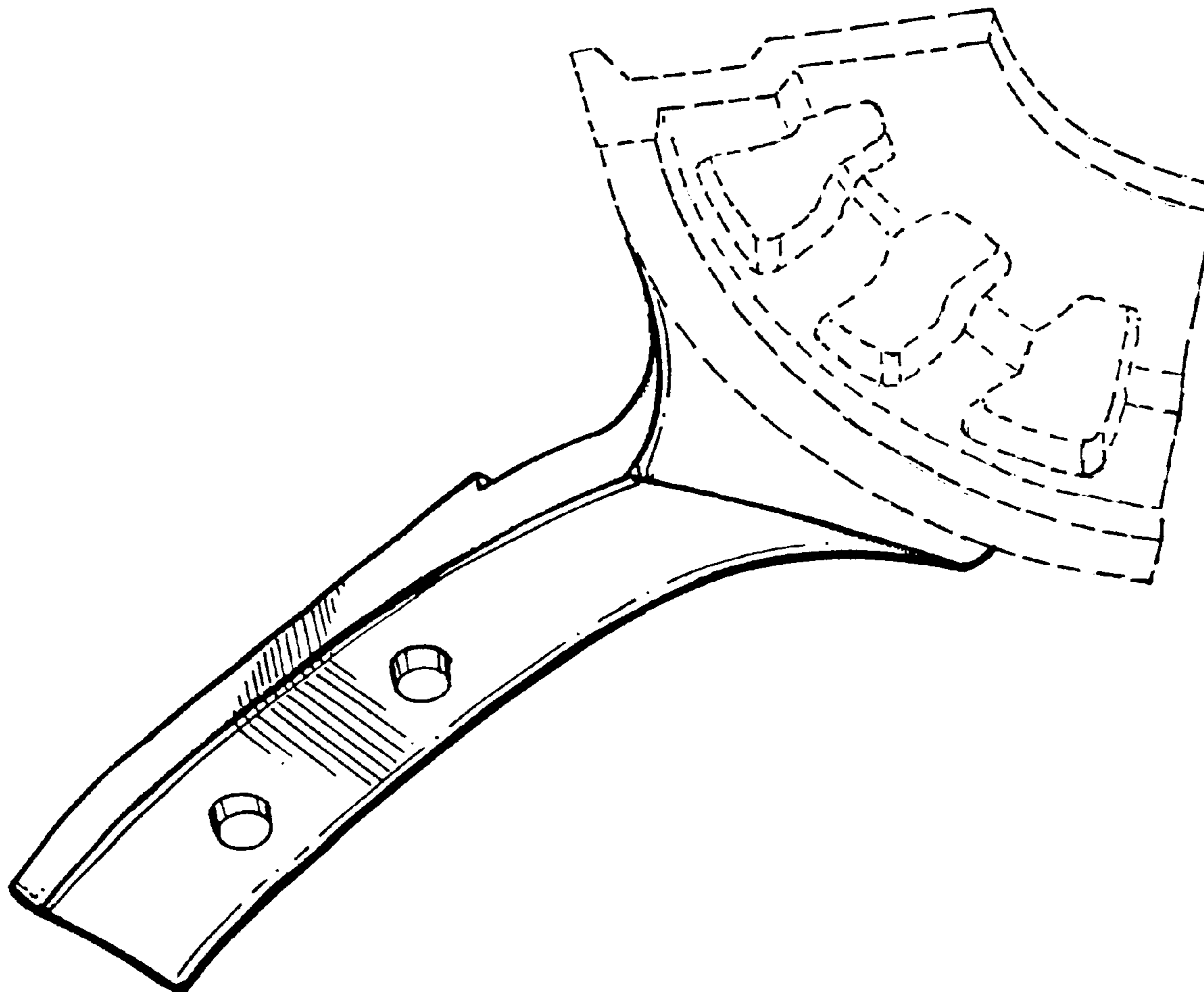
FIG. 6 is a left side elevational view thereof;

FIG. 7 is a bottom plan view thereof; and,

FIG. 8 is a rear elevational view thereof.

The broken lines in the views shown environmental features, which are for illustrative purposes only and form no part of the claimed design.

1 Claim, 7 Drawing Sheets



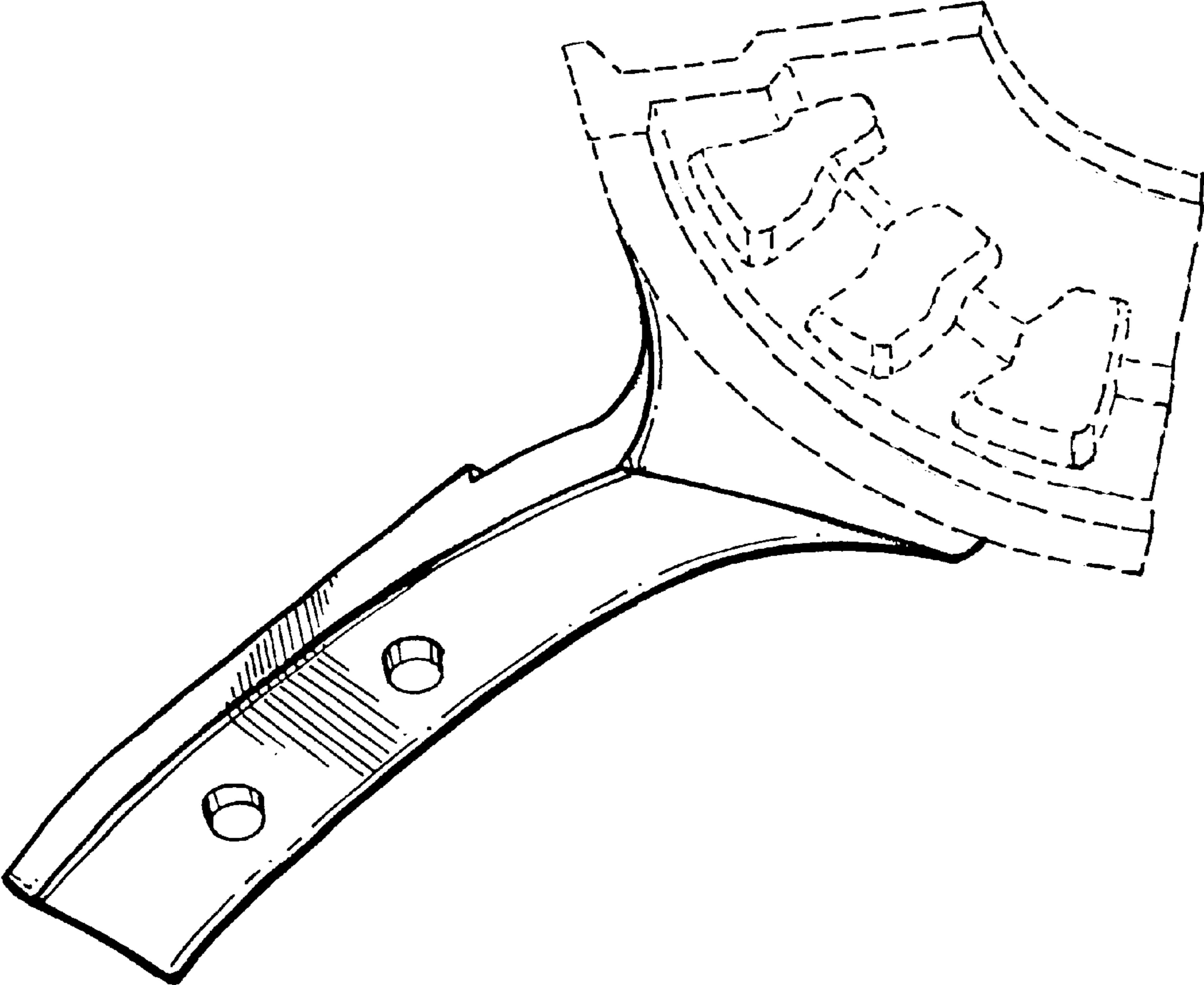


FIGURE 1

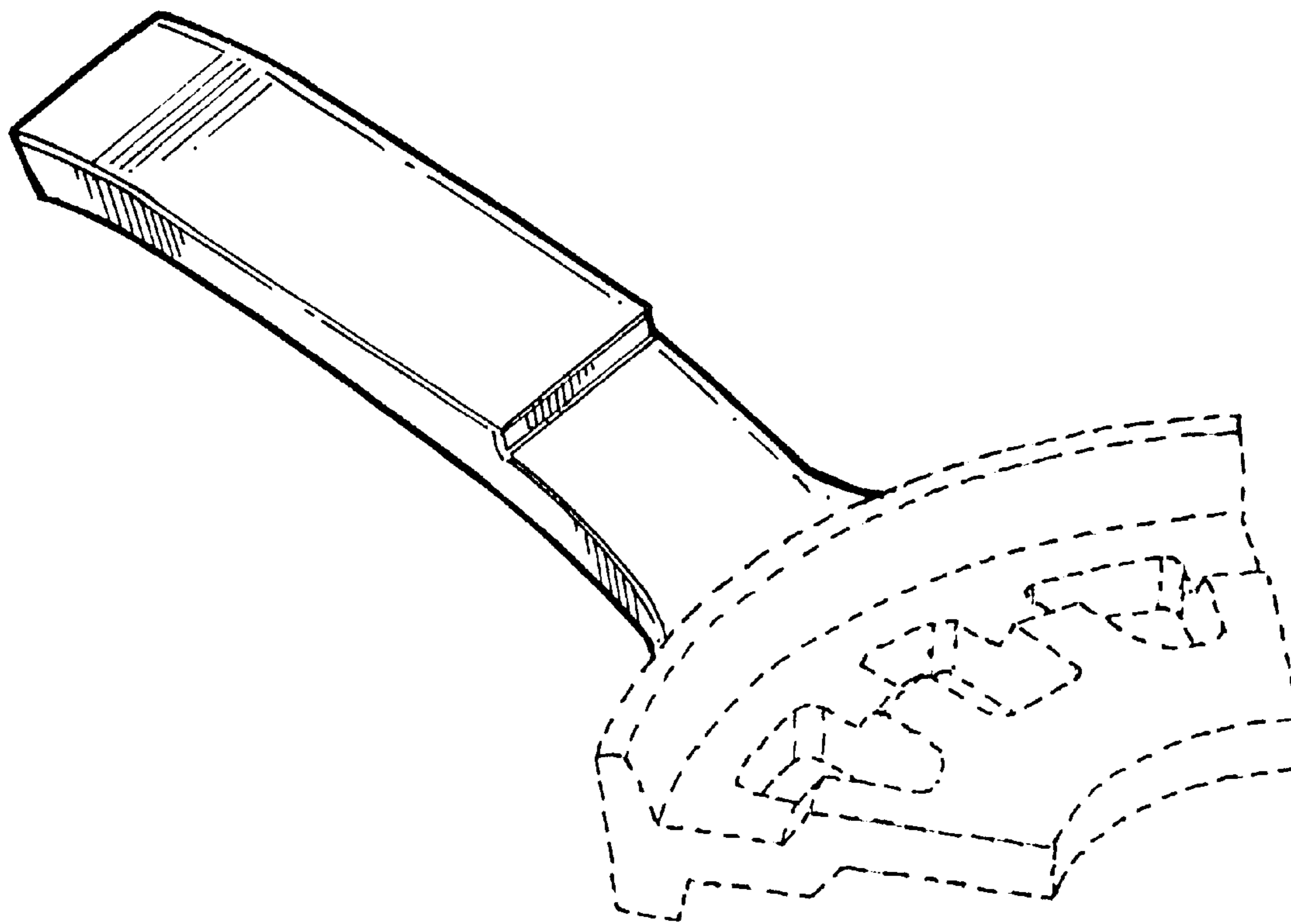


FIGURE 2

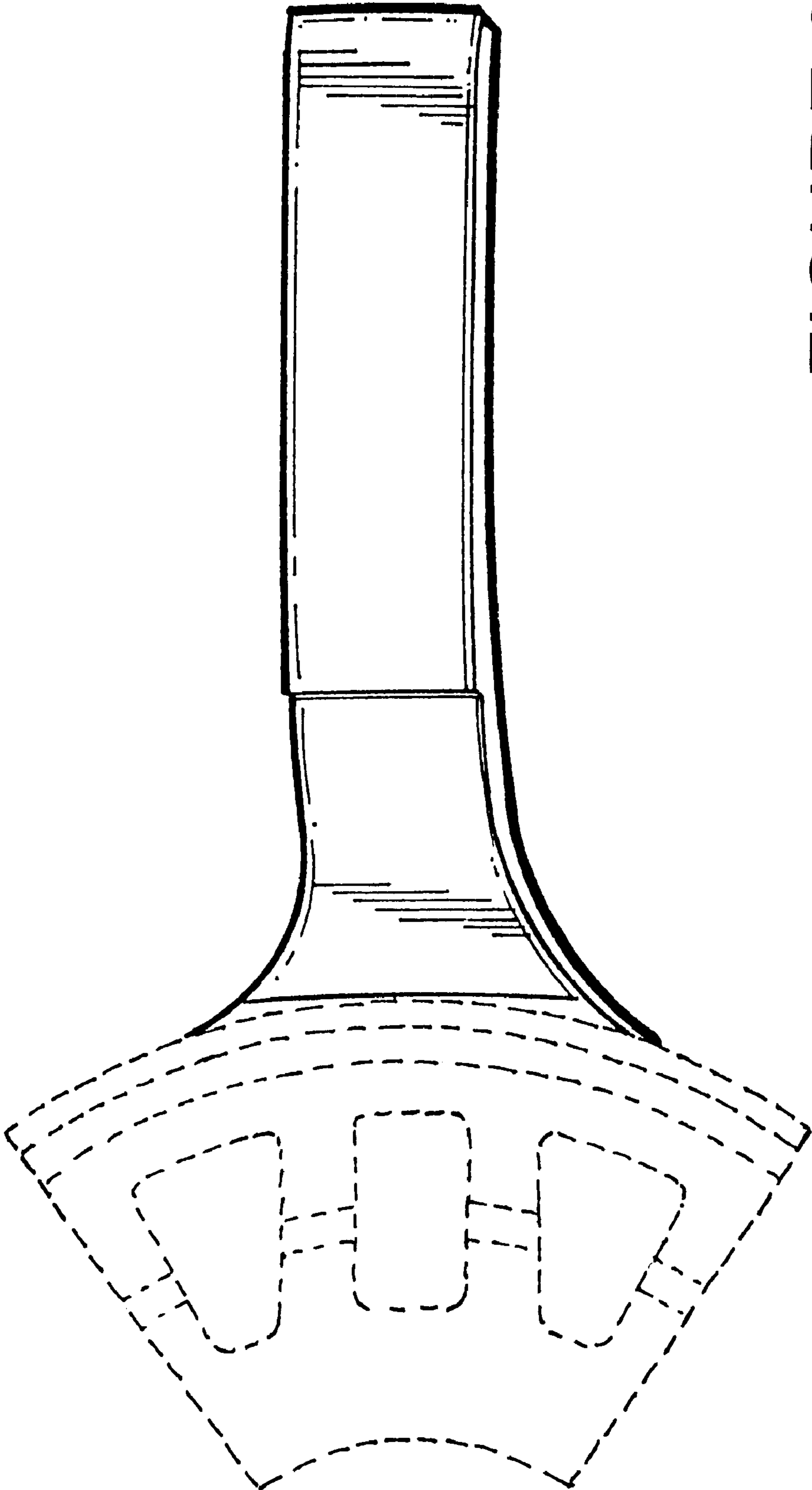


FIGURE 3

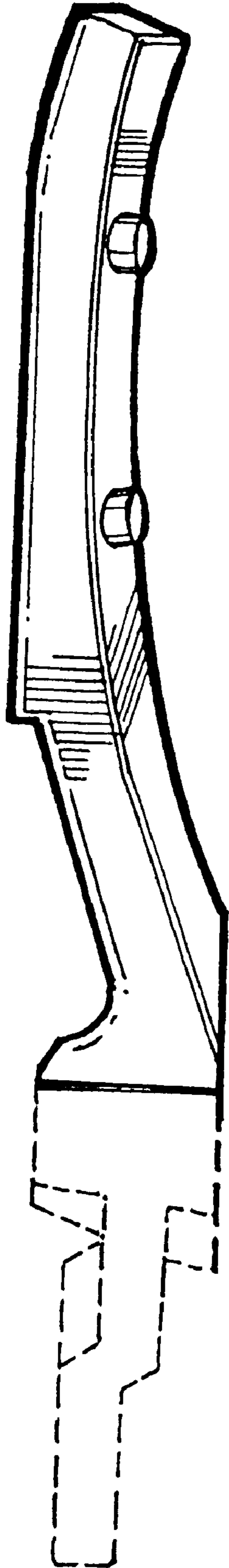


FIGURE 4

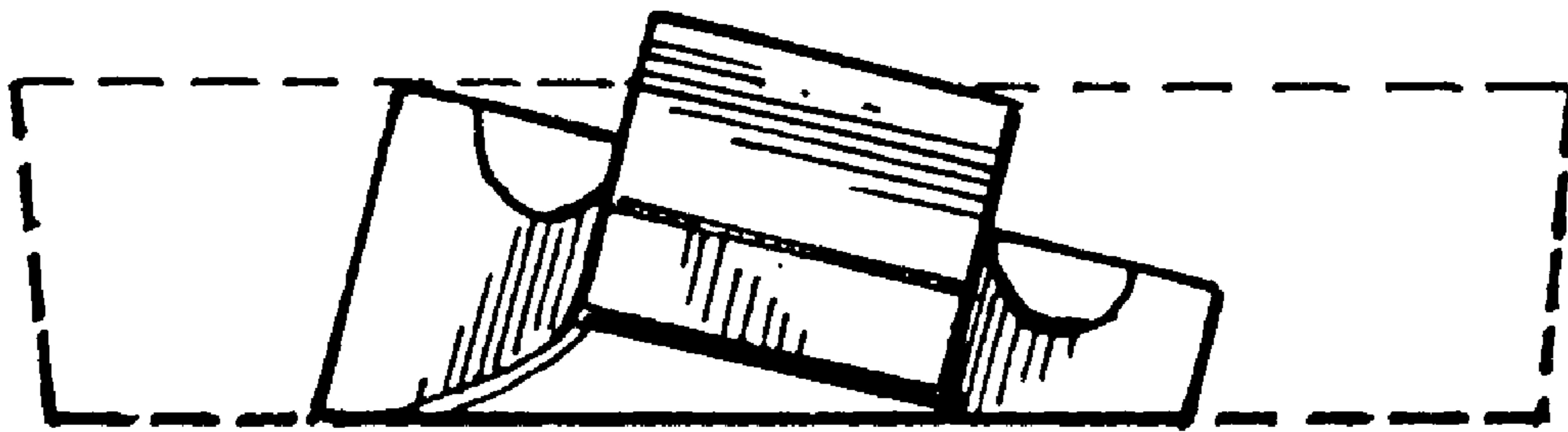


FIGURE 5

FIGURE 6

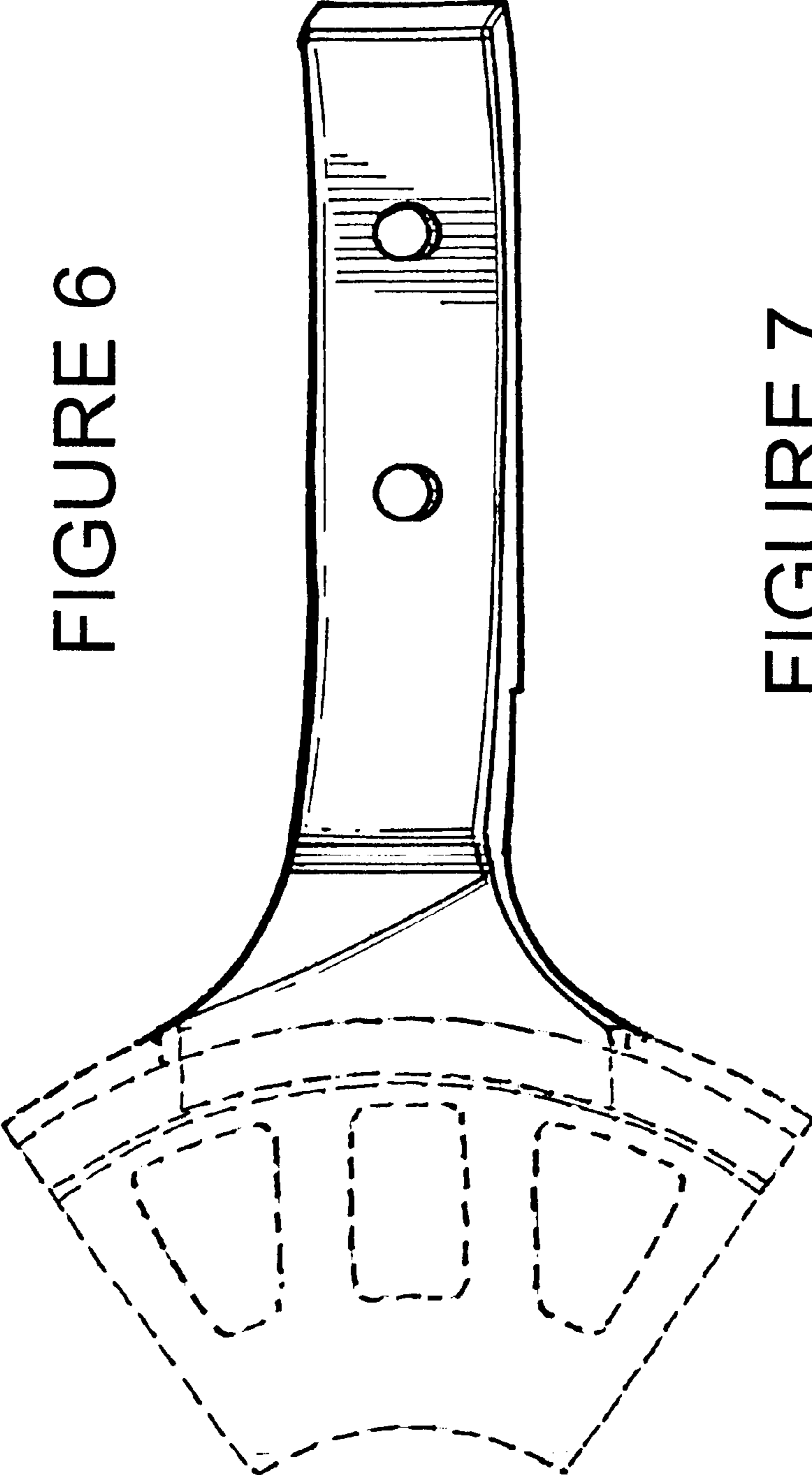
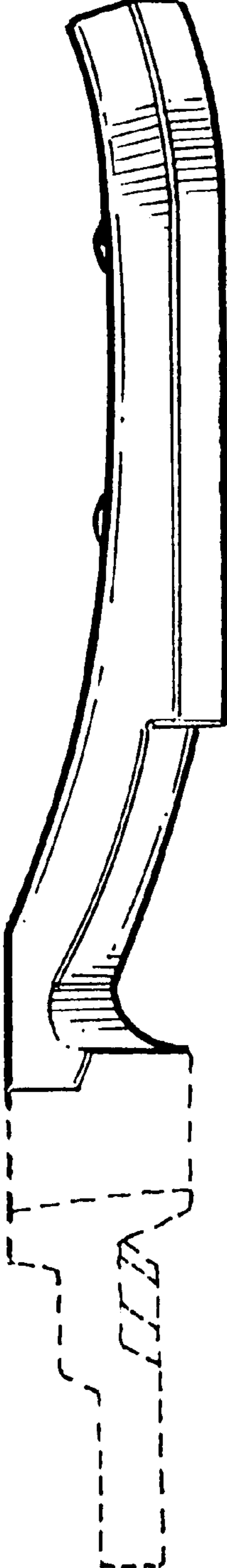


FIGURE 7



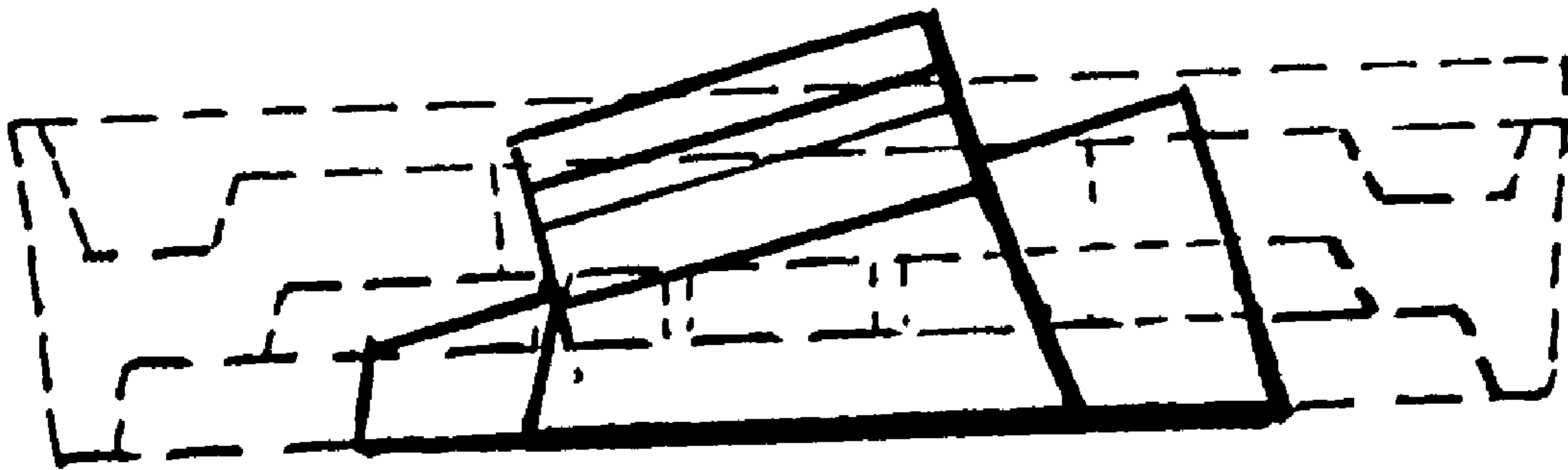


FIGURE 8