



US00D522647S

(12) **United States Design Patent**  
**Pickett**

(10) **Patent No.:** **US D522,647 S**

(45) **Date of Patent:** **\*\* Jun. 6, 2006**

(54) **FAN BLADE BRACKET**

(76) Inventor: **Mark Pickett**, 1419 E. Palm St.,  
Altadena, CA (US) 91001

(\*\*) Term: **14 Years**

(21) Appl. No.: **29/230,216**

(22) Filed: **May 18, 2005**

(51) **LOC (8) Cl.** ..... **23-04**

(52) **U.S. Cl.** ..... **D23/411**

(58) **Field of Classification Search** ..... D23/411,  
D23/377, 379, 385; 416/5, 210 R  
See application file for complete search history.

(56) **References Cited**

**U.S. PATENT DOCUMENTS**

D477,395 S \* 7/2003 Thomas, Jr. .... D23/411  
D510,430 S \* 10/2005 Tai ..... D23/411

\* cited by examiner

*Primary Examiner*—Lisa Lichtenstein

(74) *Attorney, Agent, or Firm*—Parsons & Goltry; Michael  
W. Goltry; Robert A. Parsons

(57) **CLAIM**

The ornamental design for a fan blade bracket, as shown and  
described.

**DESCRIPTION**

FIG. 1 is a bottom perspective view of a fan blade bracket  
showing my new design;

FIG. 2 is a top perspective view thereof;

FIG. 3 is a top plan view thereof;

FIG. 4 is a right side elevational view thereof;

FIG. 5 is a front elevational view thereof;

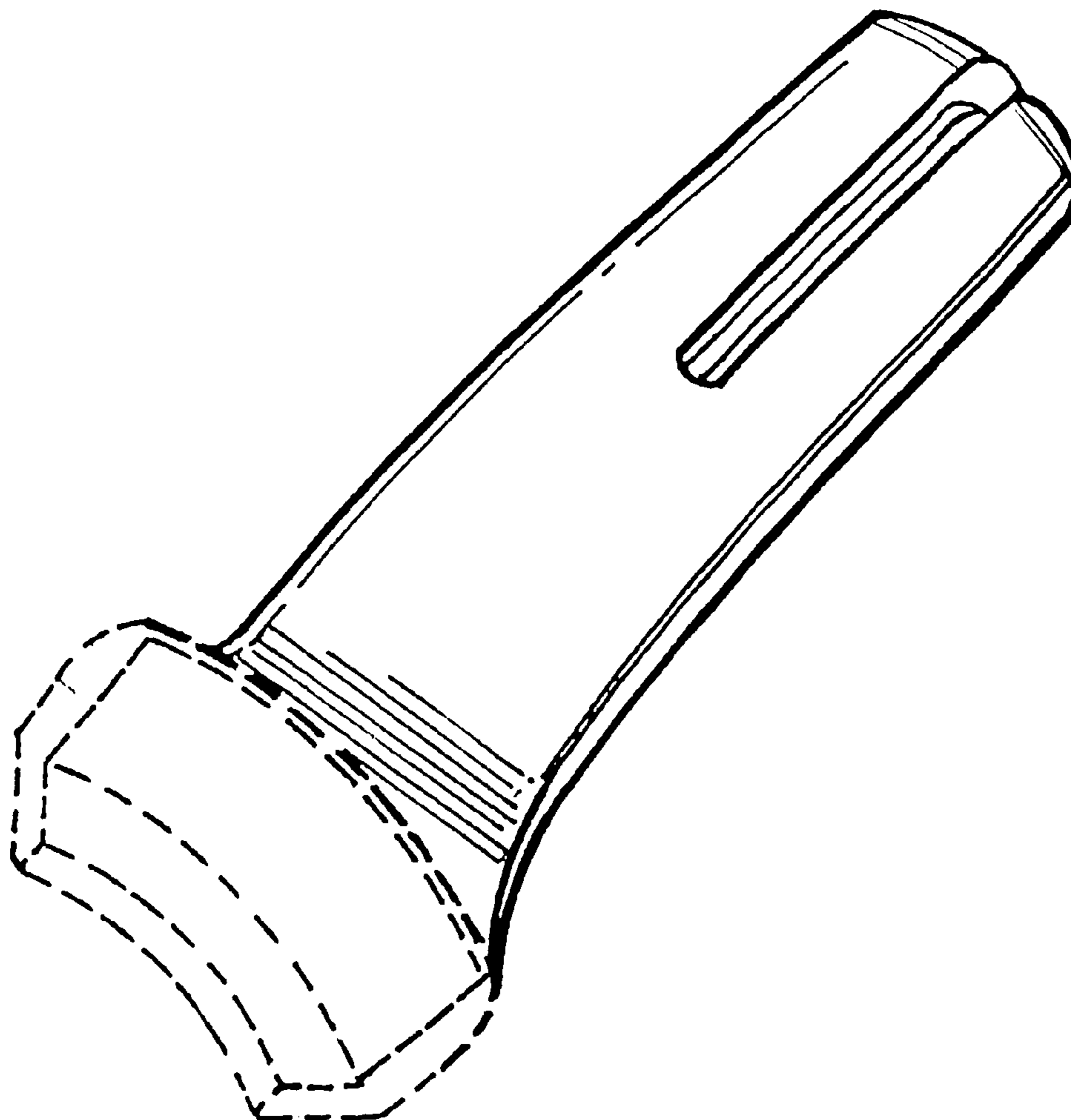
FIG. 6 is a bottom plan view thereof;

FIG. 7 is a left side elevational view thereof; and,

FIG. 8 is a rear elevational view thereof.

The broken lines in the views show environmental features,  
which are for illustrative purposes only and form no part of  
the claimed design.

**1 Claim, 3 Drawing Sheets**



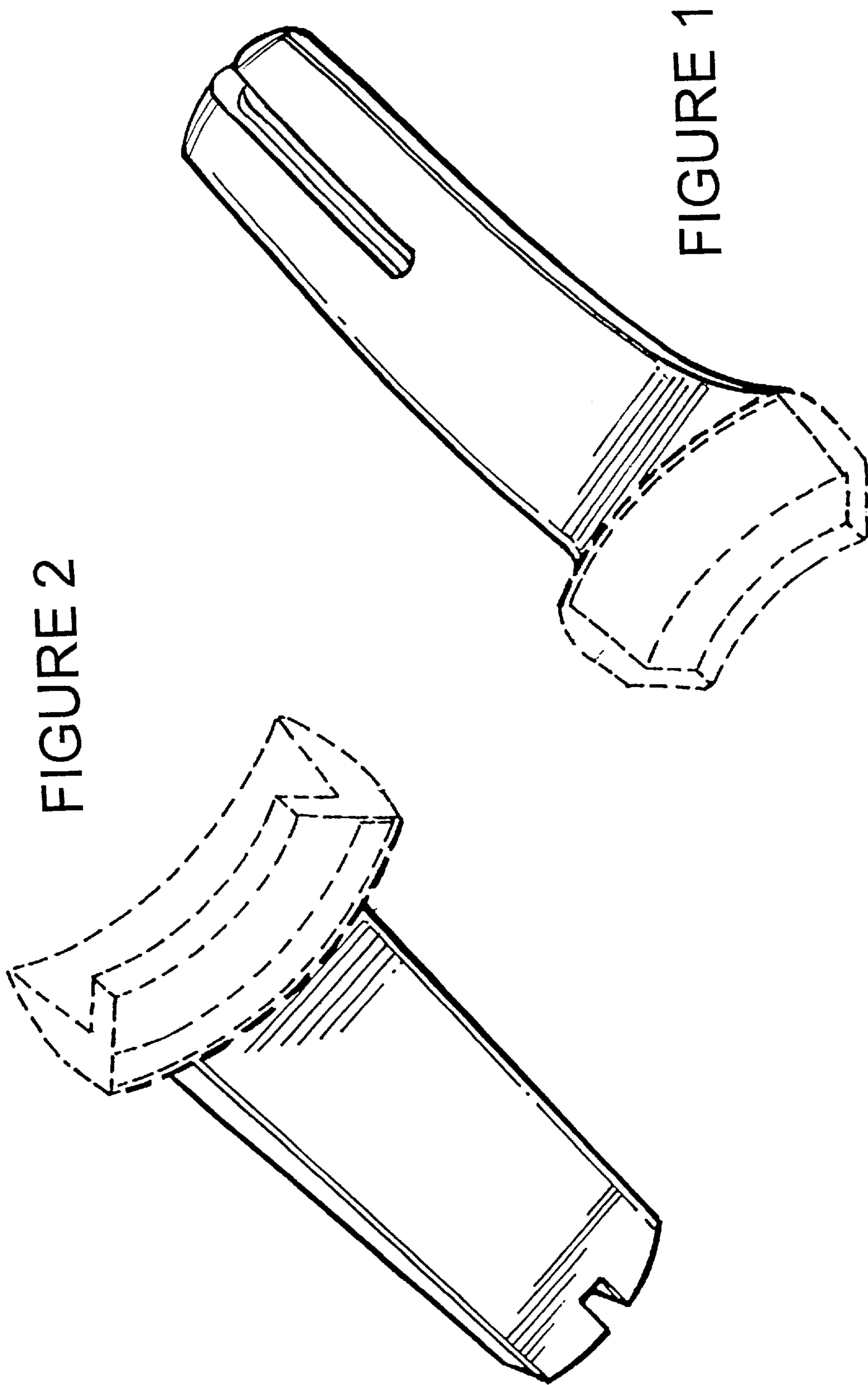


FIGURE 3

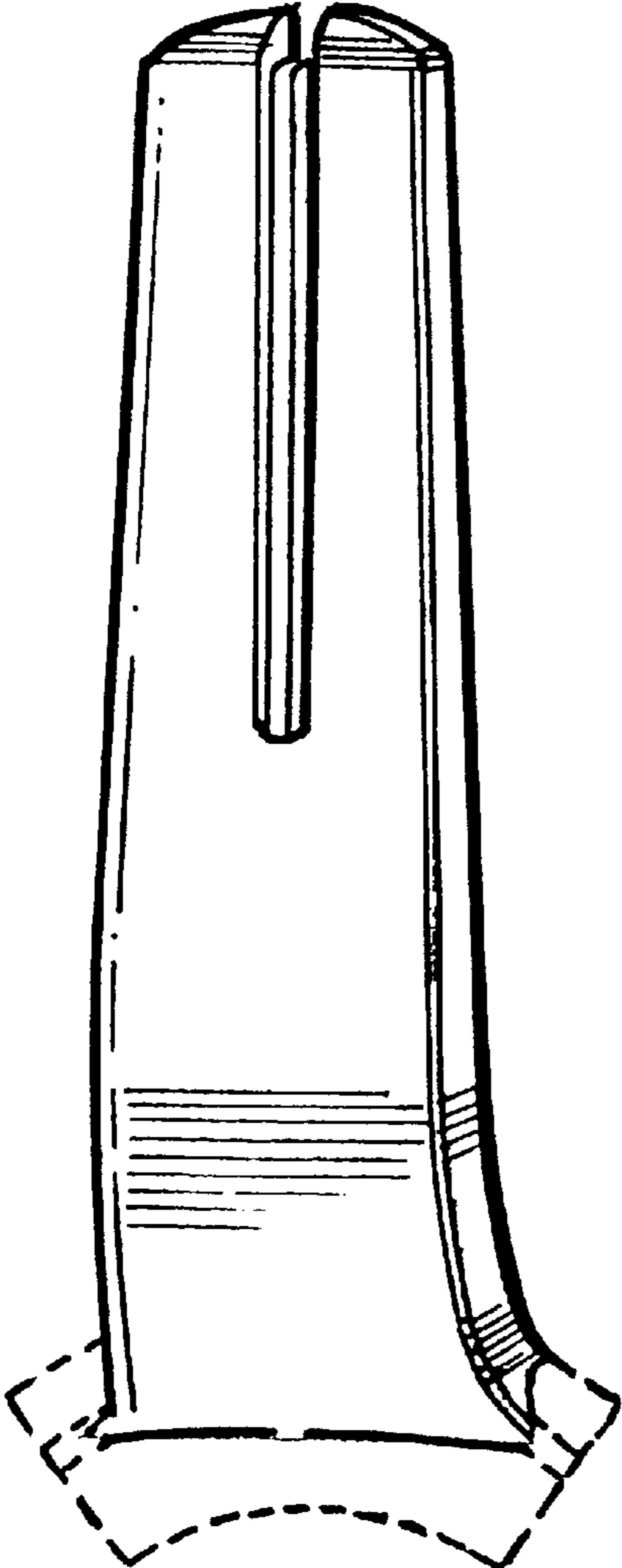


FIGURE 4

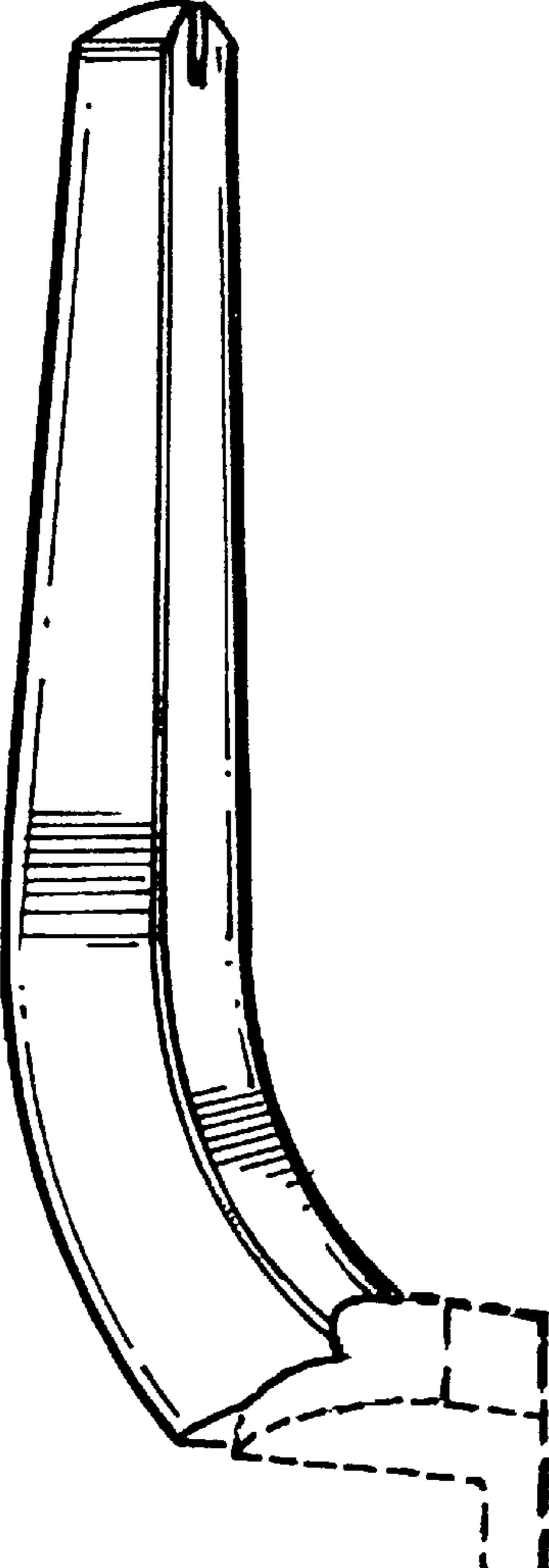


FIGURE 5

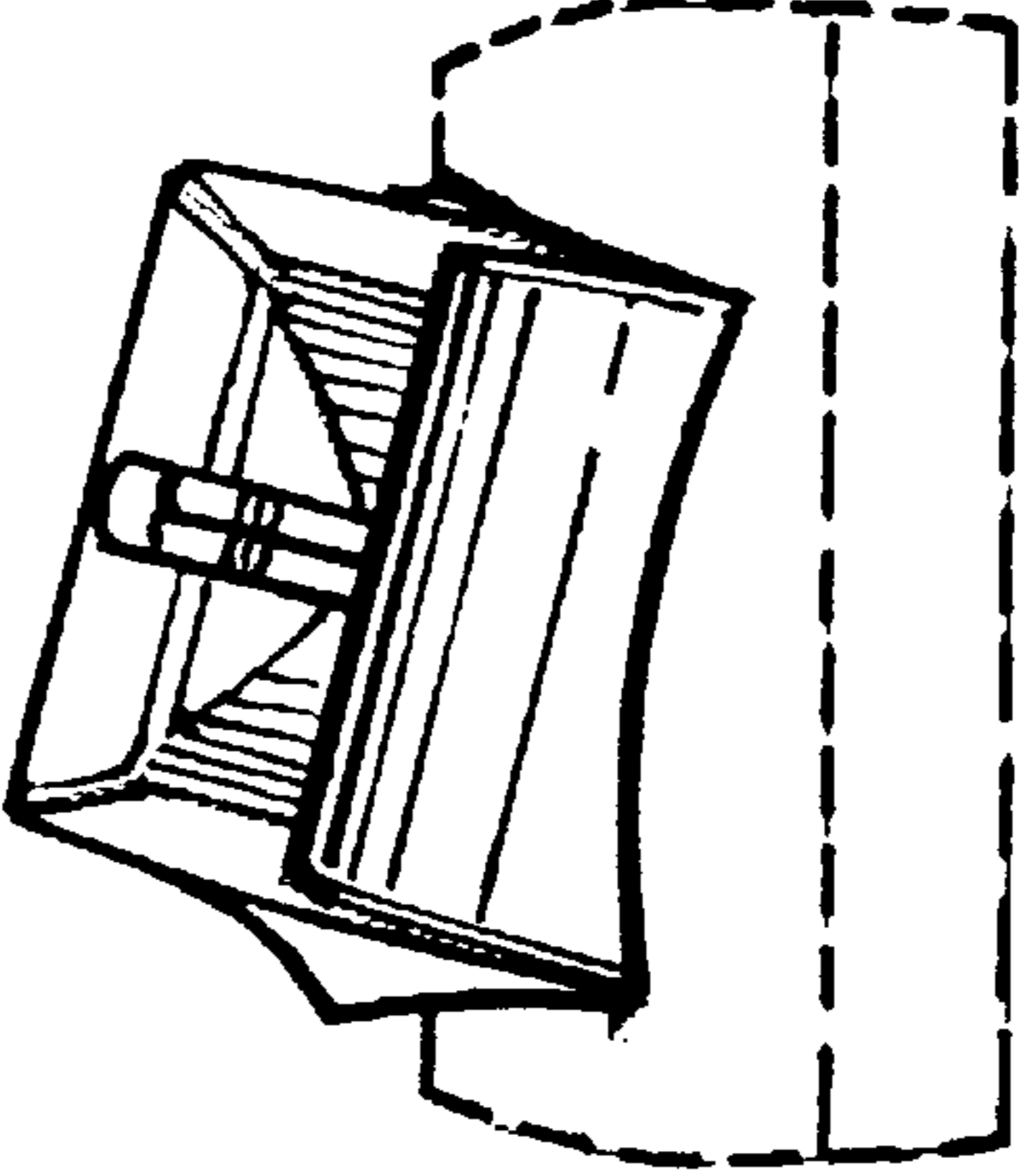


FIGURE 6

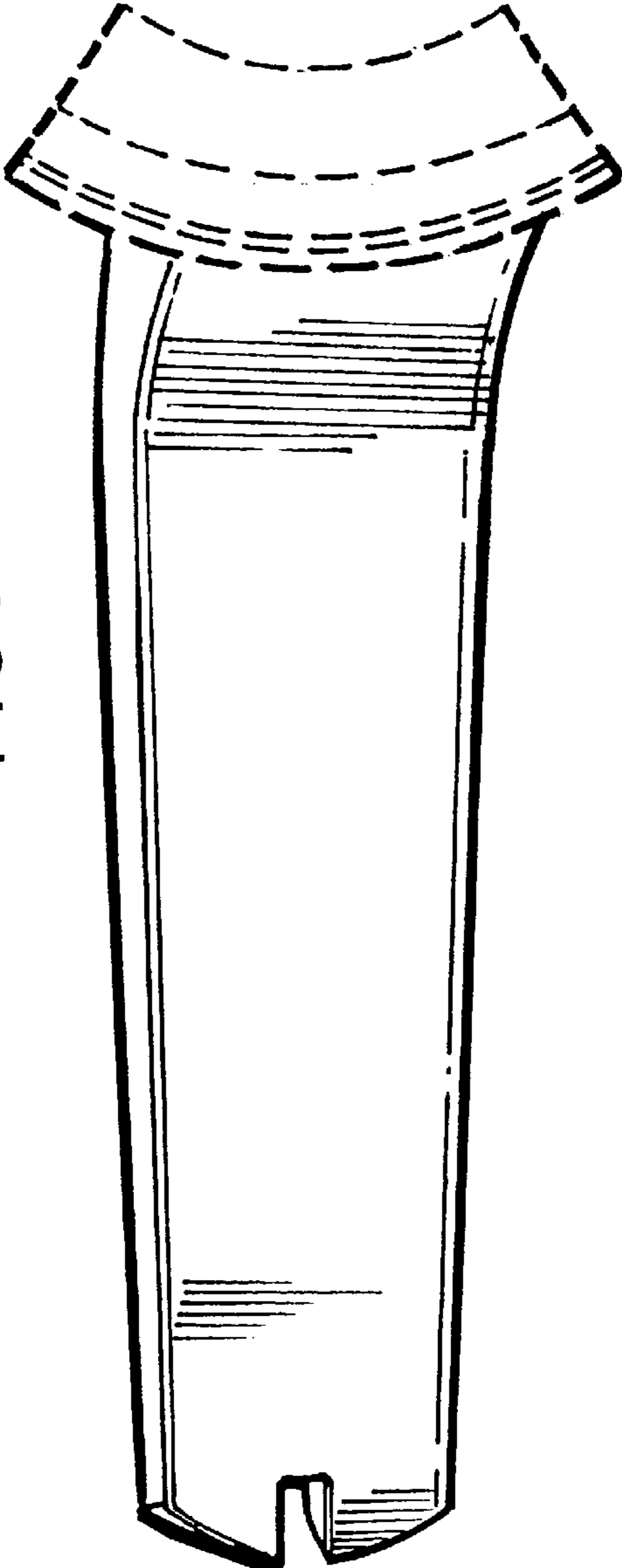


FIGURE 7

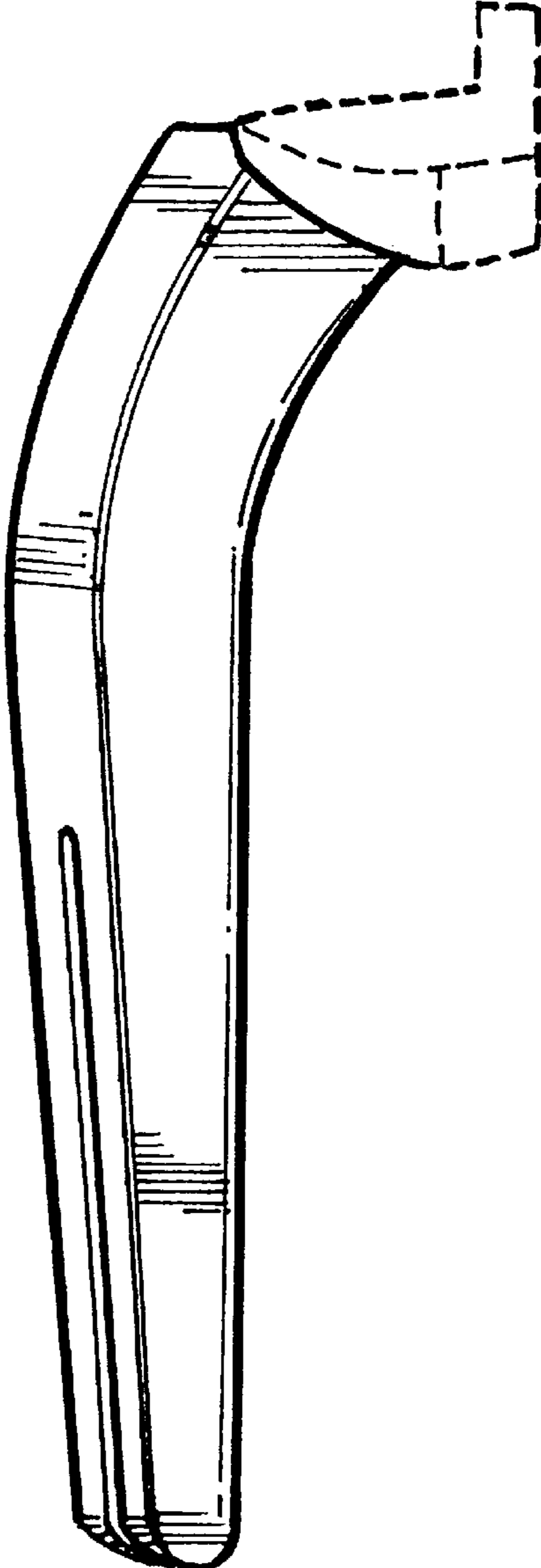


FIGURE 8

