



US00D522645S

(12) **United States Design Patent**
Ertze

(10) **Patent No.:** **US D522,645 S**
(45) **Date of Patent:** **** Jun. 6, 2006**

(54) **COMBINED CEILING FAN MOTOR HOUSING AND LIGHT KIT**

D446,851 S * 8/2001 Lee D23/411
D457,235 S * 5/2002 Hidalgo D23/411
D510,431 S * 10/2005 Pickett D23/411

(75) Inventor: **Pablo J. Ertze**, Rancho Cucamonga, CA (US)

* cited by examiner

(73) Assignee: **Yu-Yuan Industrial Co., Ltd.**, Taichung (TW)

Primary Examiner—Lisa Lichtenstein
(74) *Attorney, Agent, or Firm*—Troxell Law Office, PLLC

(**) Term: **14 Years**

(57) **CLAIM**

(21) Appl. No.: **29/229,315**

The ornamental design for a combined ceiling fan motor housing and light kit, as shown and described.

(22) Filed: **May 6, 2005**

DESCRIPTION

(51) **LOC (8) Cl.** **23-04**

(52) **U.S. Cl.** **D23/411; D26/59**

(58) **Field of Classification Search** D23/411,
D23/377, 379, 385; 415/5; D26/59, 51, 72,
D26/81-88; 362/96

FIG. 1 is a perspective view of a combined ceiling fan motor housing and light kit showing my new design; FIG. 2 is a front end elevation view thereof; FIG. 3 is a rear end elevation view thereof; FIG. 4 is a left side elevation view thereof; FIG. 5 is a right side elevation view thereof; FIG. 6 is a top plan view thereof; and, FIG. 7 is a bottom plan view thereof.

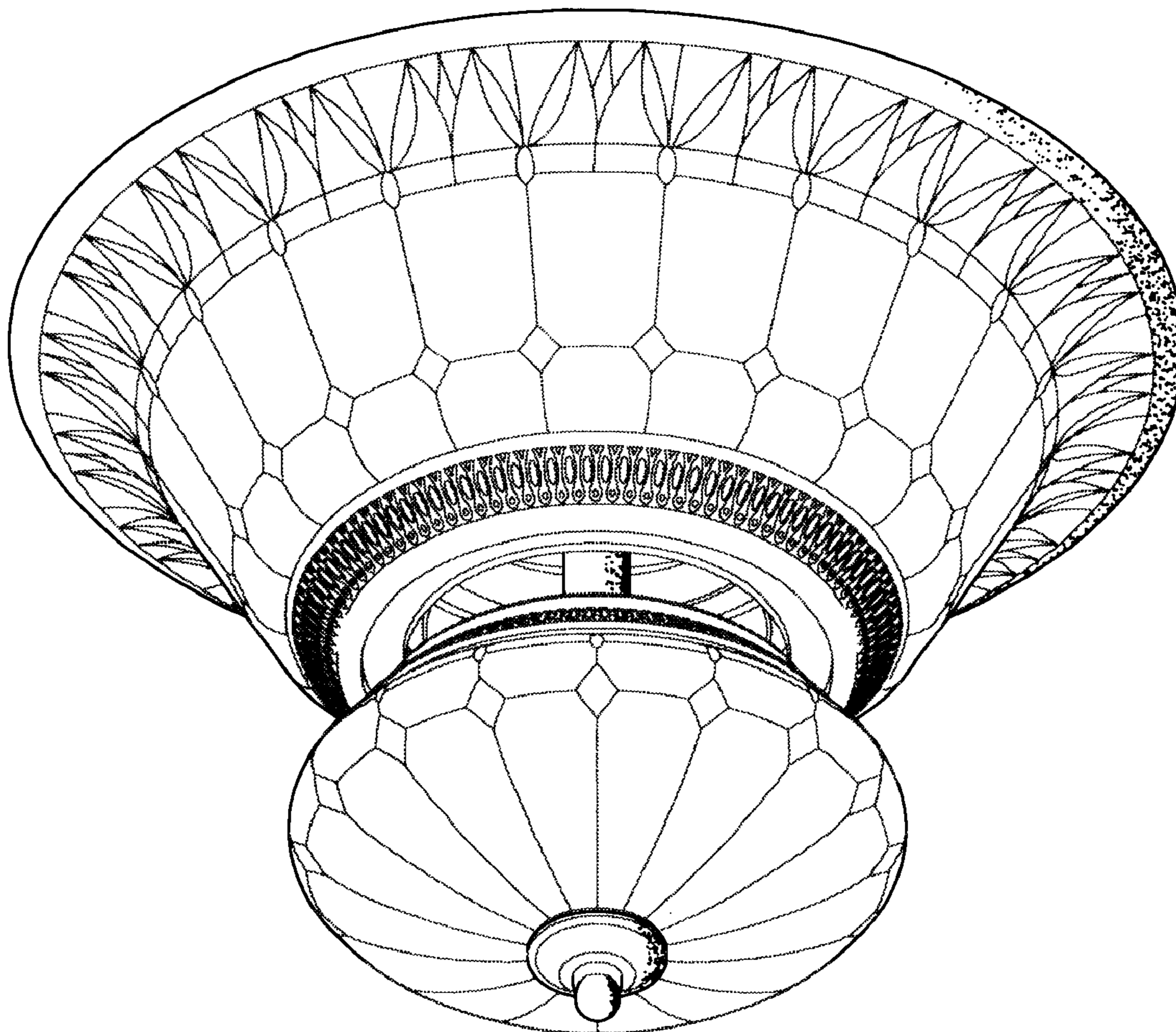
See application file for complete search history.

(56) **References Cited**

U.S. PATENT DOCUMENTS

D436,659 S * 1/2001 Campbell D23/411

1 Claim, 7 Drawing Sheets



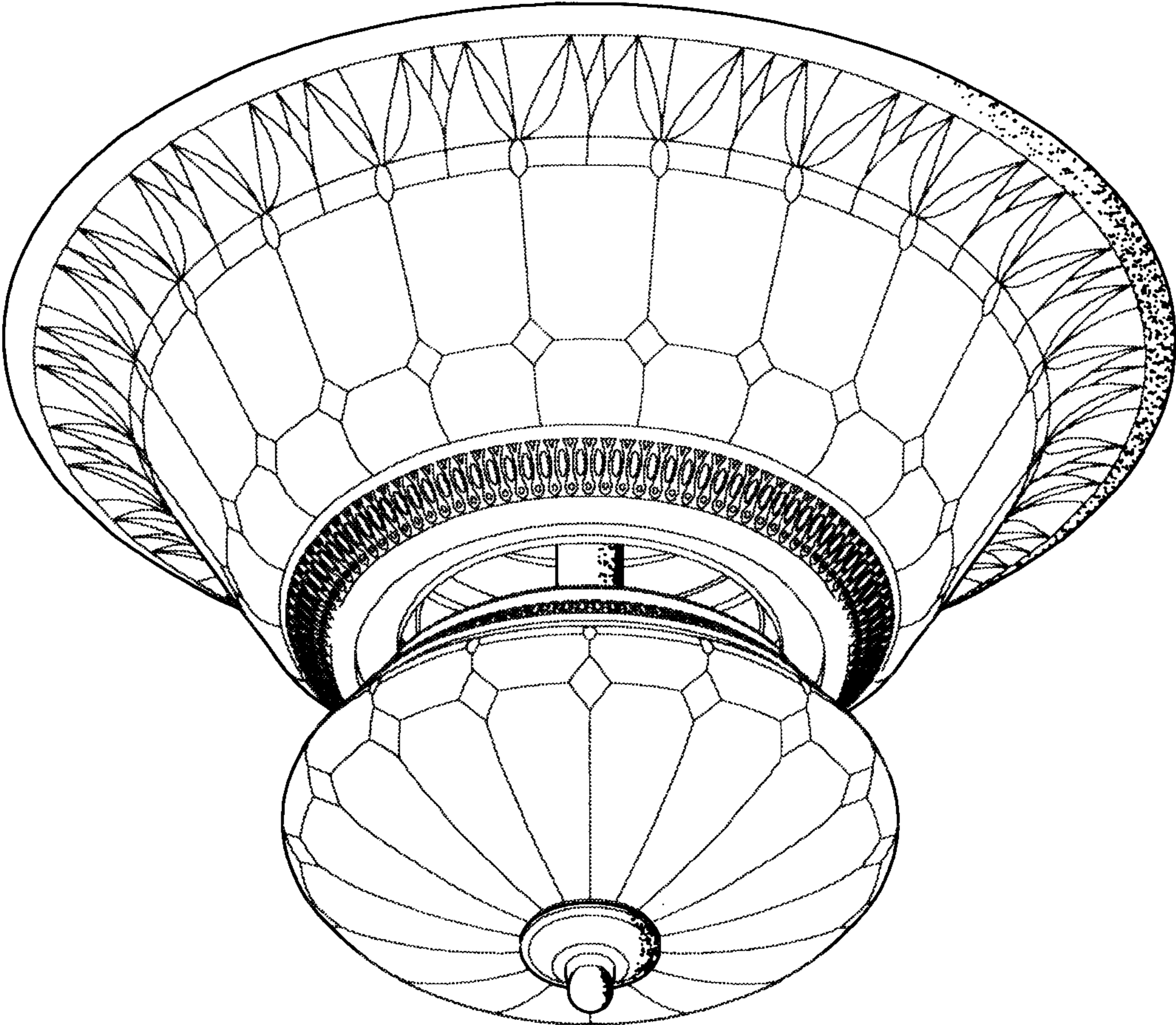


FIG. 1

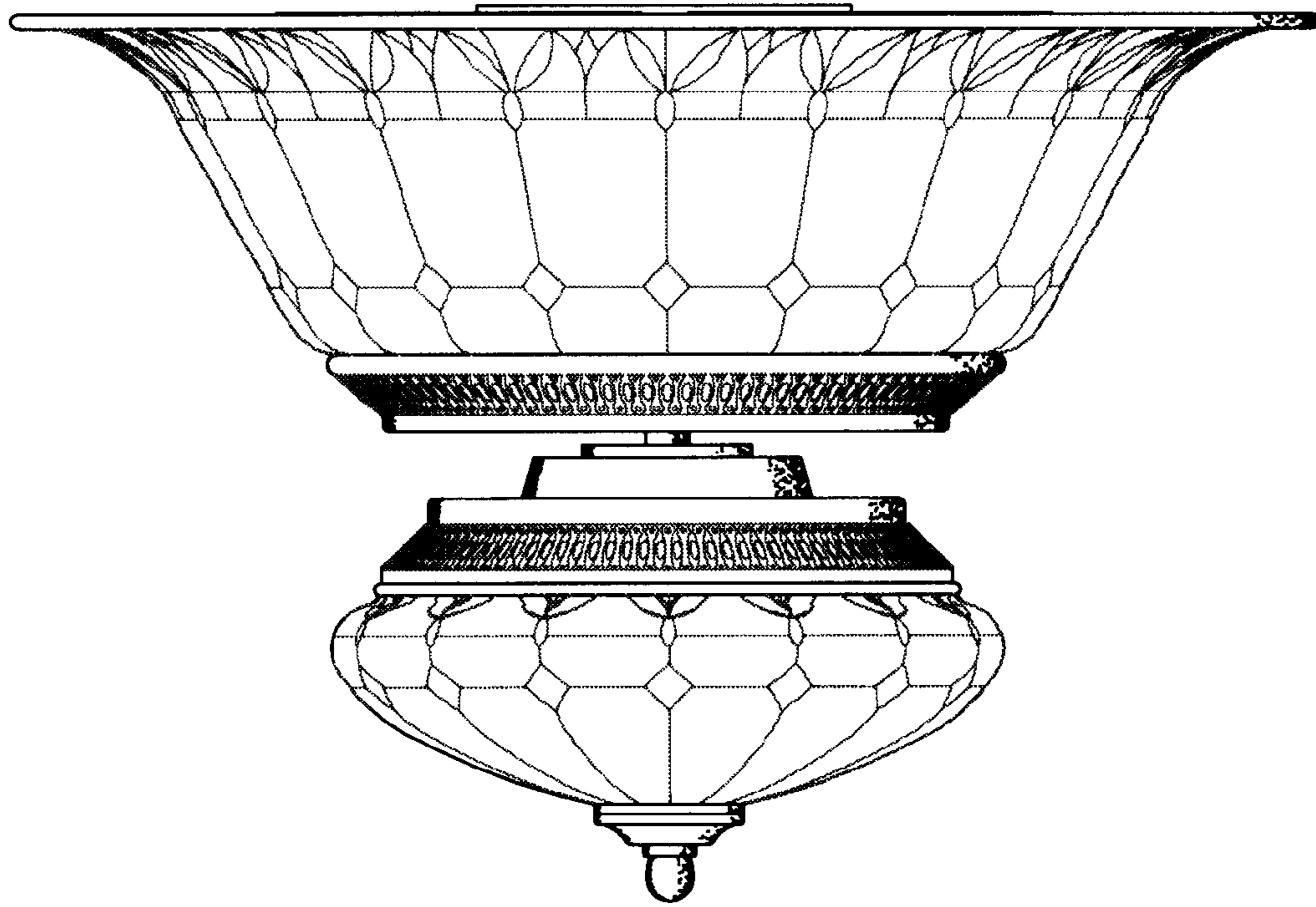


FIG. 2

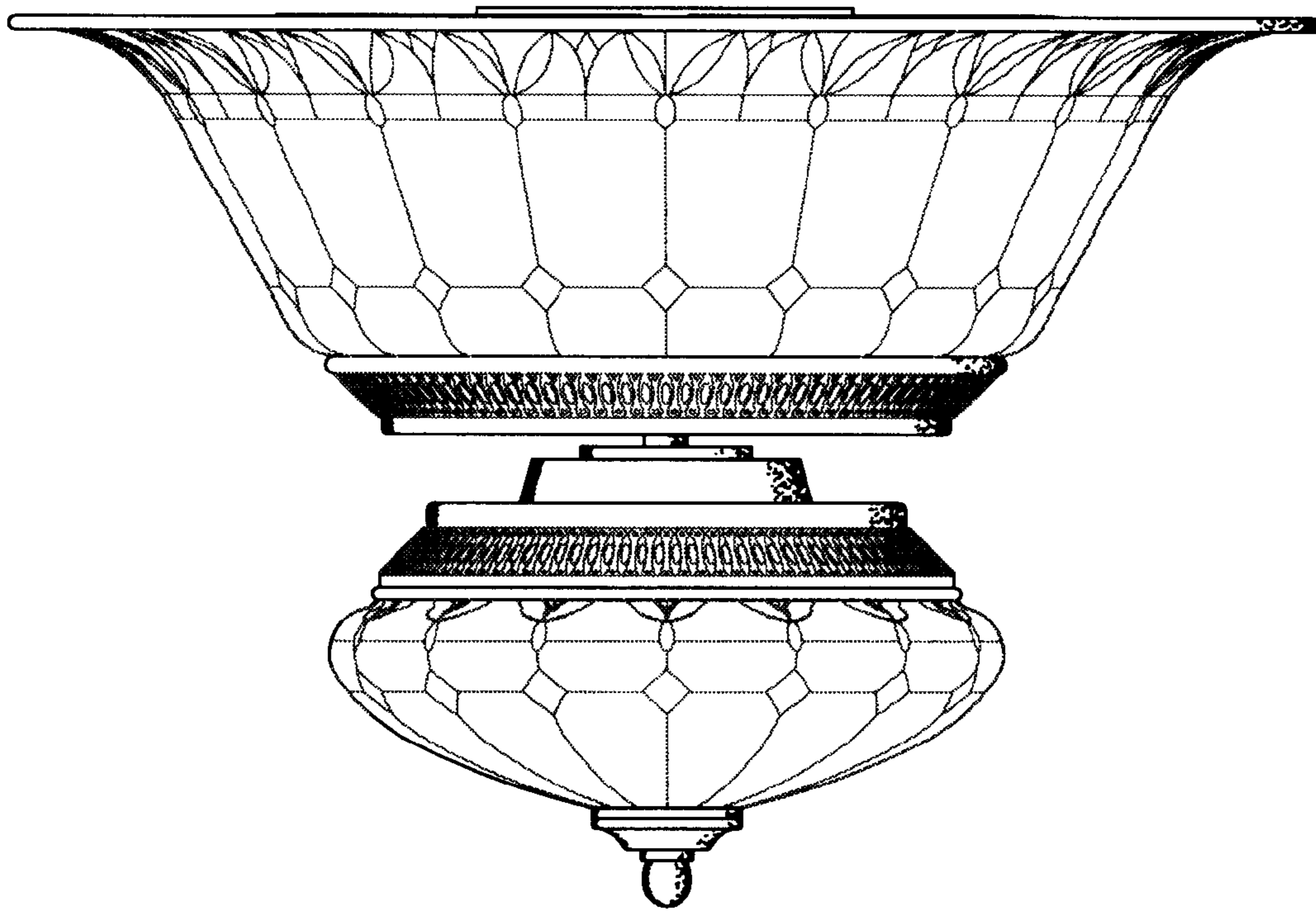


FIG. 3

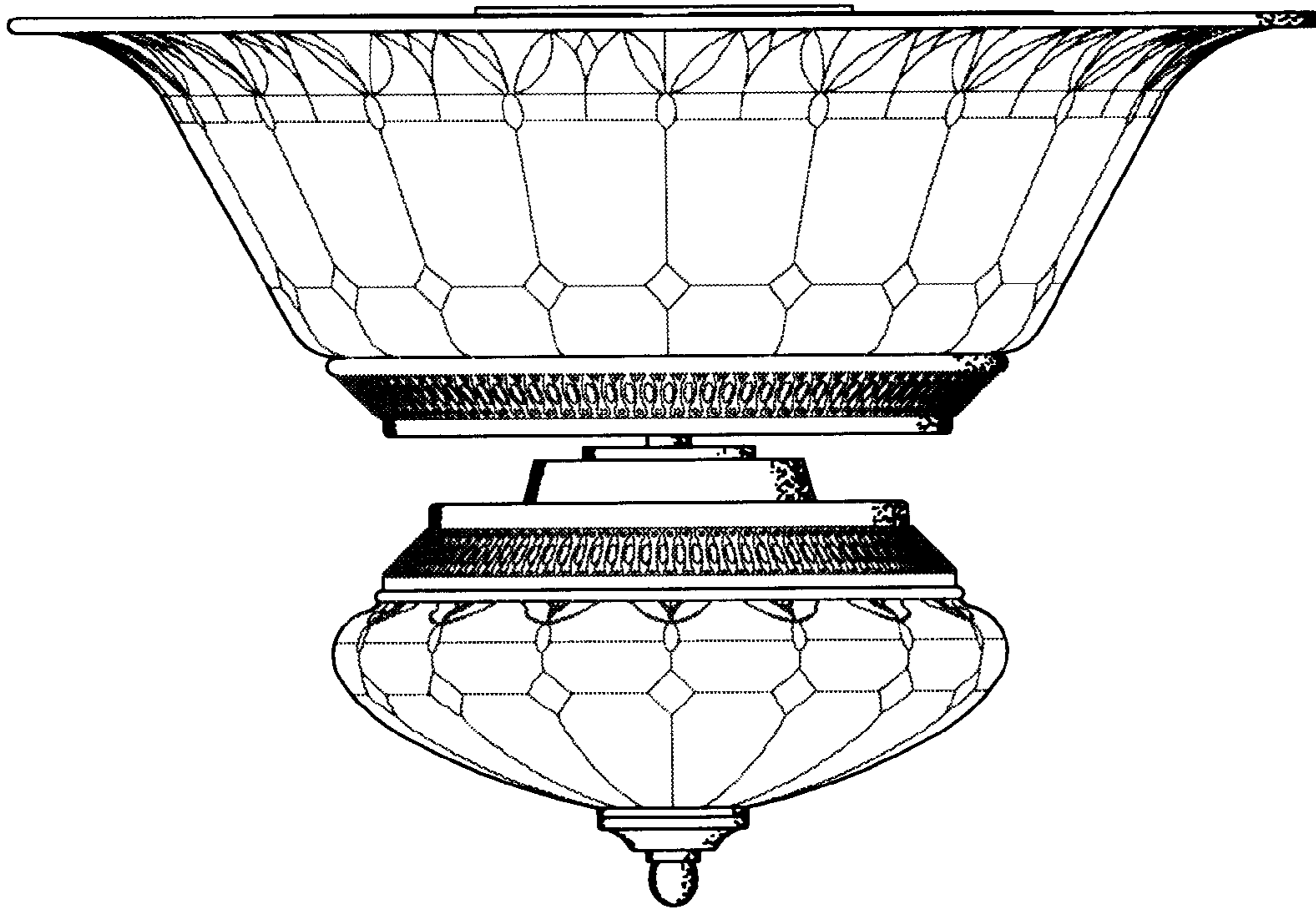


FIG. 4

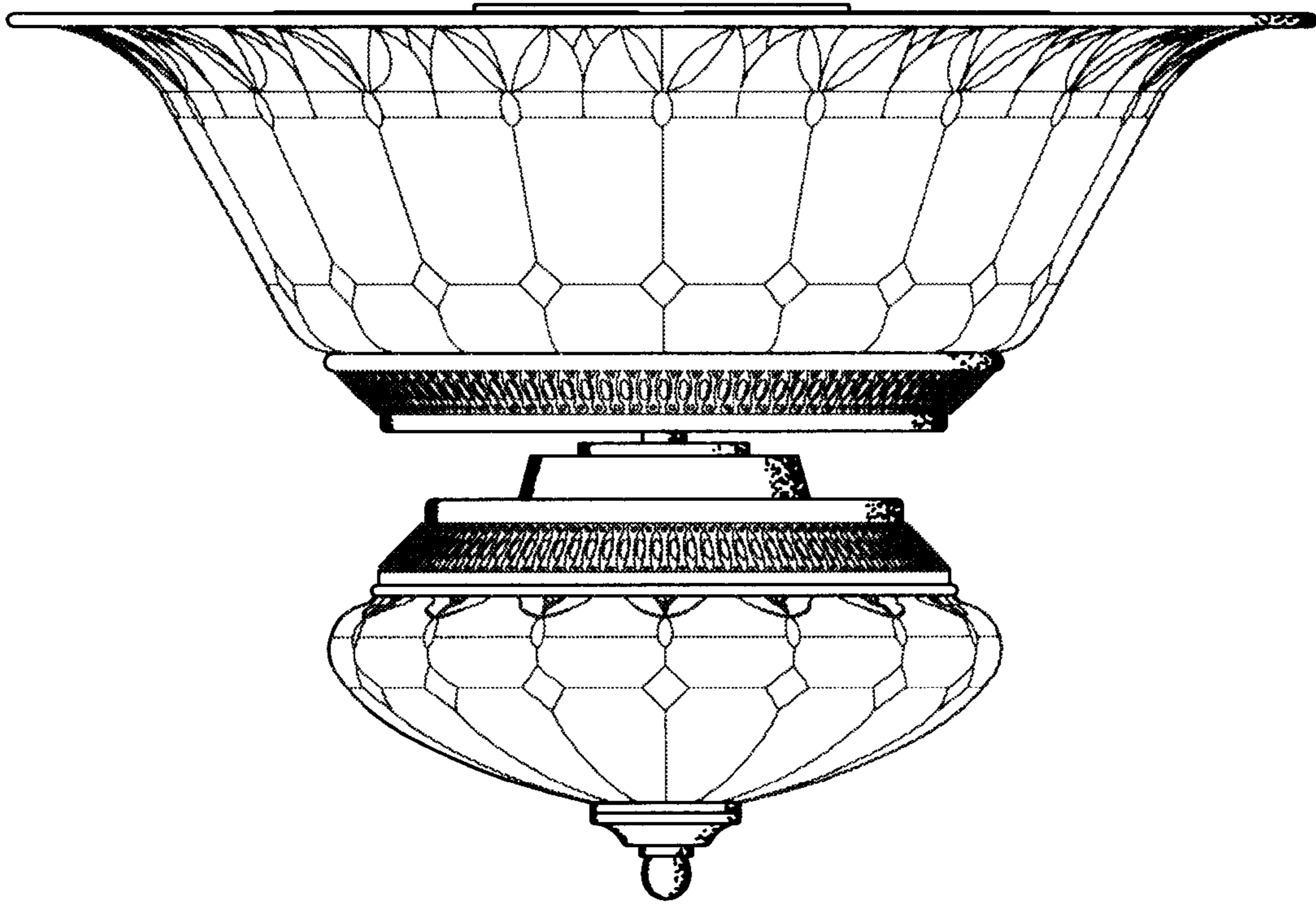


FIG. 5

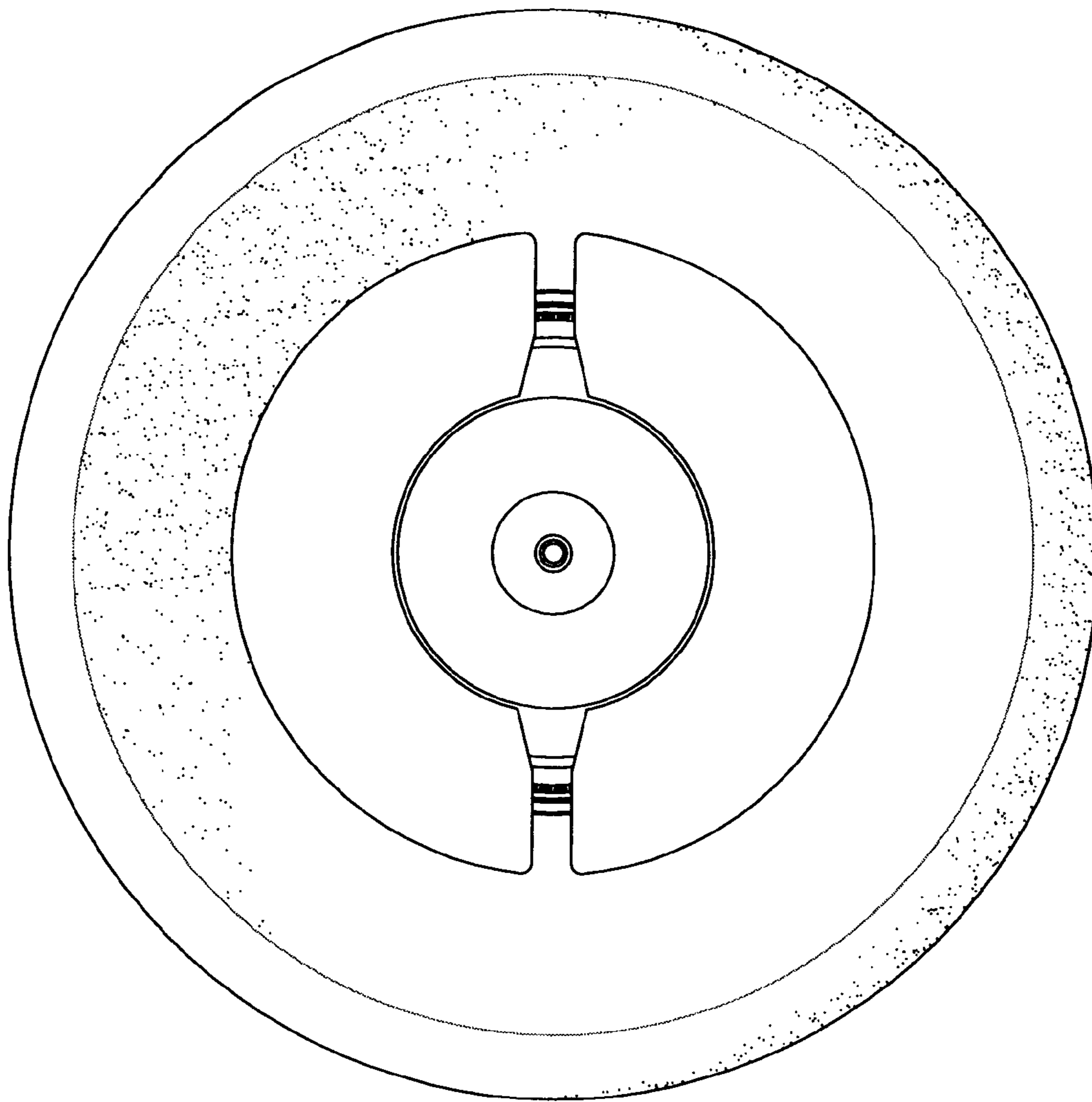


FIG. 6

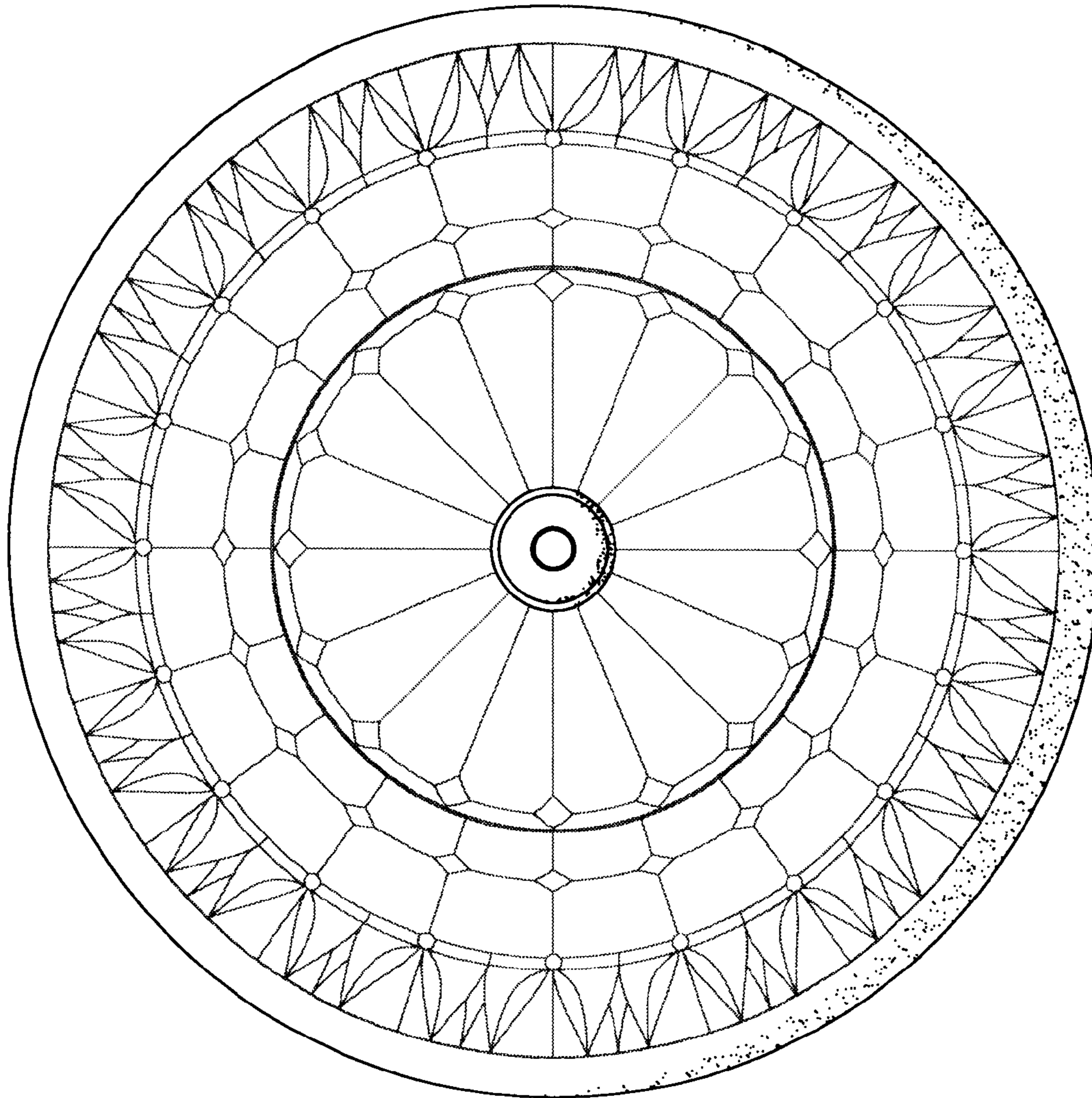


FIG. 7