



US00D522641S

(12) **United States Design Patent**
Matsuda et al.

(10) **Patent No.:** **US D522,641 S**

(45) **Date of Patent:** **** Jun. 6, 2006**

(54) **AIR FRESHENER**

(75) Inventors: **Eiko Matsuda**, Ako (JP); **Hirohisa Yokoya**, Ako (JP)

(73) Assignee: **Earth Chemical Co., Ltd.**, Tokyo (JP)

(**) Term: **14 Years**

(21) Appl. No.: **29/223,527**

(22) Filed: **Feb. 16, 2005**

(30) **Foreign Application Priority Data**

Sep. 30, 2004 (EM) 000235551

(51) **LOC (8) Cl.** **23-04**

(52) **U.S. Cl.** **D23/366**

(58) **Field of Classification Search** 342/389-394,
342/398, 401, 403, 405, 406; 239/135, 136,
239/34, 37, 41, 42, 53, 56-58; 261/DIG. 17,
261/DIG. 65, DIG. 88, DIG. 89; D23/355-369;
D9/521

See application file for complete search history.

(56) **References Cited**

U.S. PATENT DOCUMENTS

D307,469 S * 4/1990 Gutkowski D23/367

D477,997 S * 8/2003 Hakansson D9/516
D484,229 S * 12/2003 Upson D23/366
D484,585 S * 12/2003 Upson D23/366

* cited by examiner

Primary Examiner—Sandra S. Snapp

(74) *Attorney, Agent, or Firm*—Sughrue Mion, PLLC

(57) **CLAIM**

The ornamental design for an air freshener, as shown and described.

DESCRIPTION

FIG. 1 is a perspective view of front, right side and top of an air freshener showing our new design;

FIG. 2 is a perspective view of front, right side and bottom thereof;

FIG. 3 is a front view thereof; the opposite side view being identical thereto;

FIG. 4 is a right side view thereof; the opposite side view being identical thereto;

FIG. 5 is a top plan view thereof; and,

FIG. 6 is a bottom view thereof.

1 Claim, 6 Drawing Sheets

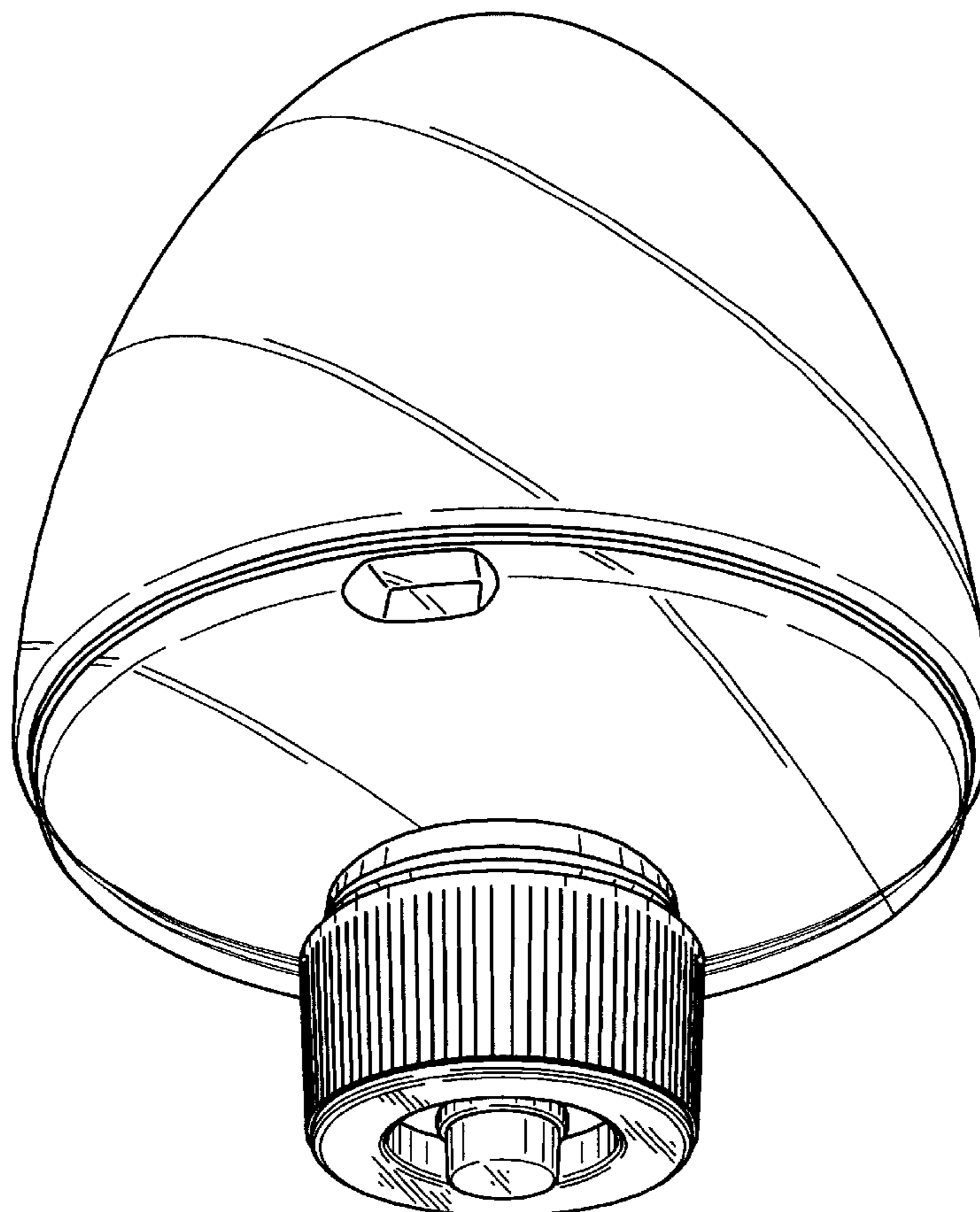


FIG. 1

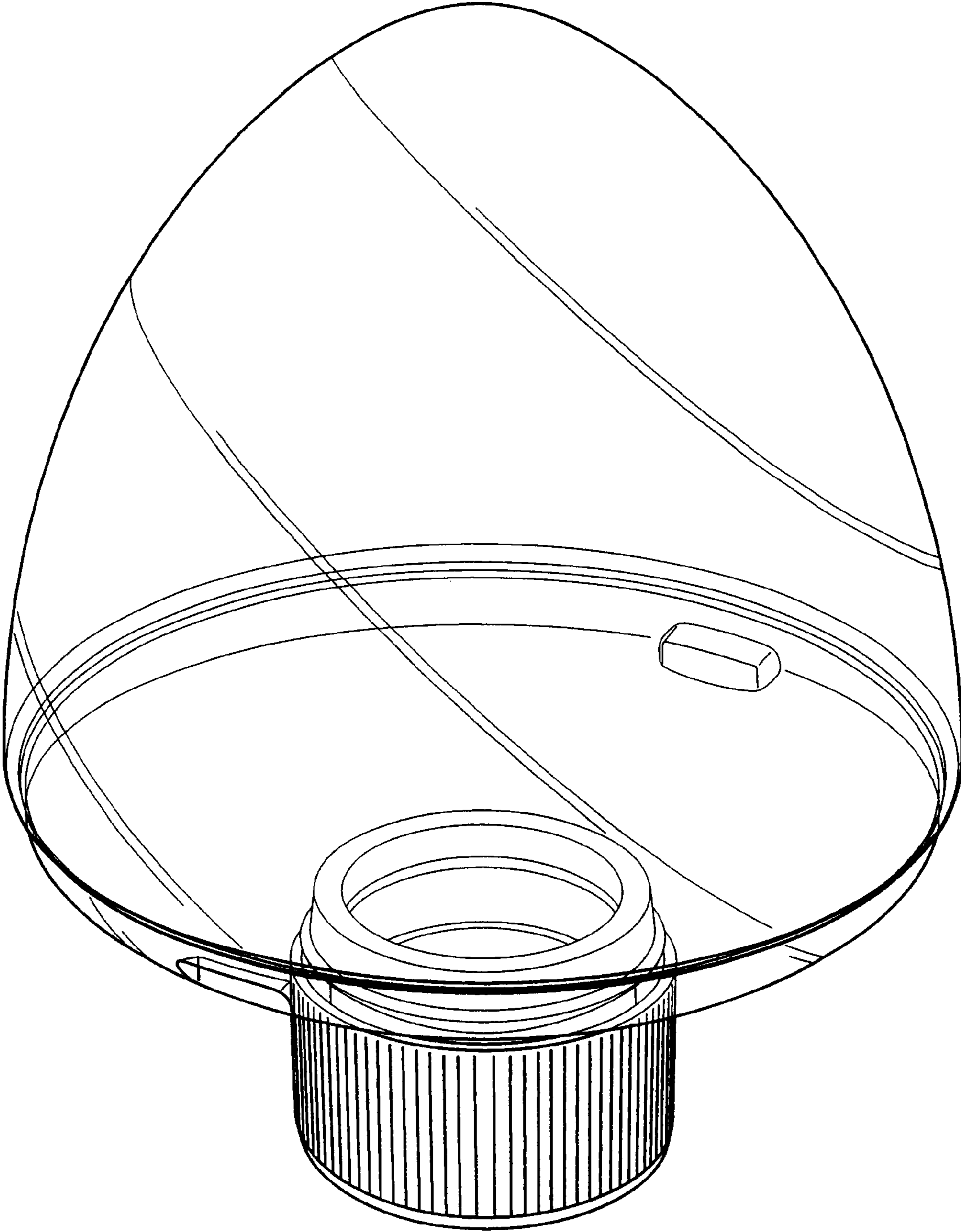


FIG. 2

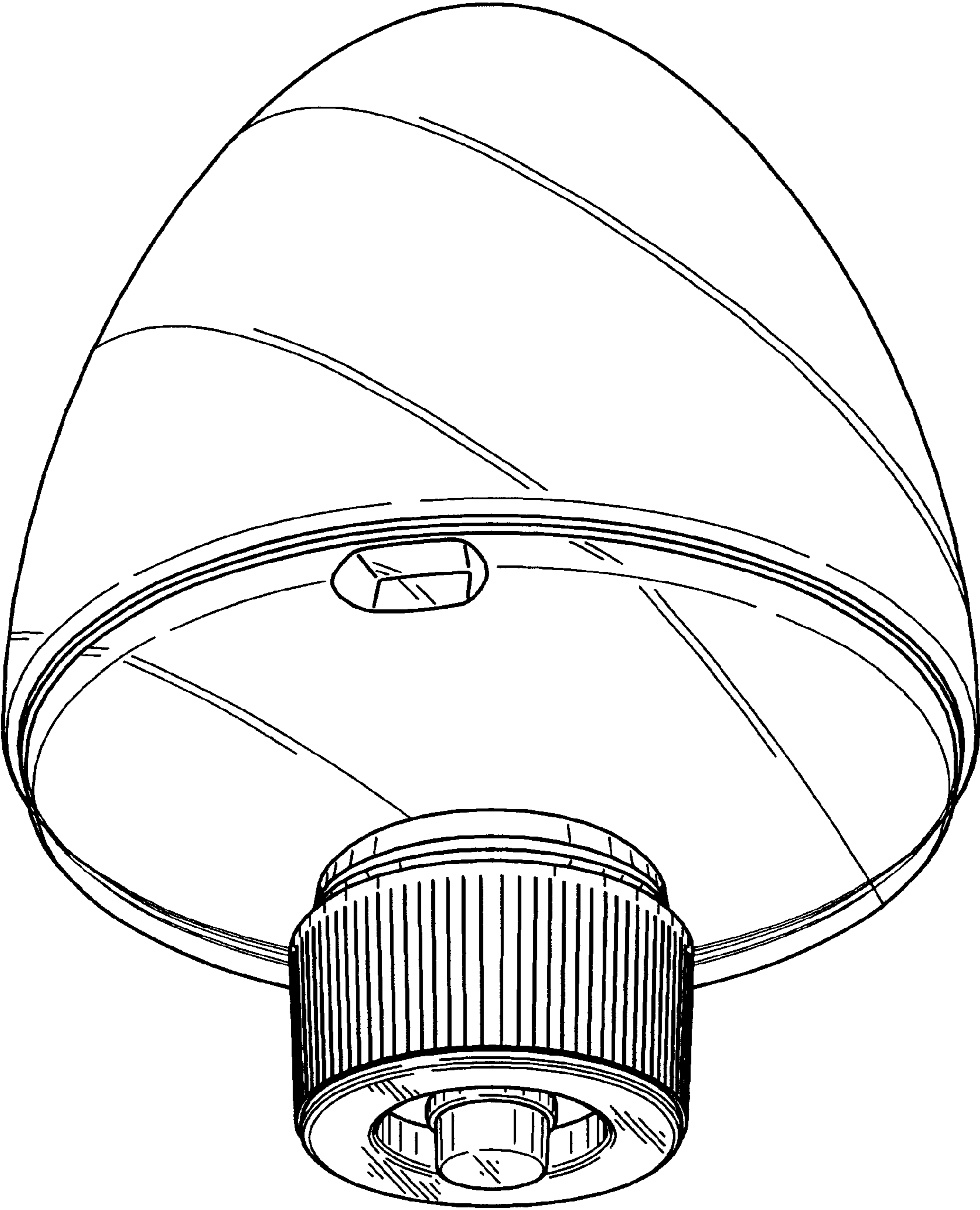


FIG. 3

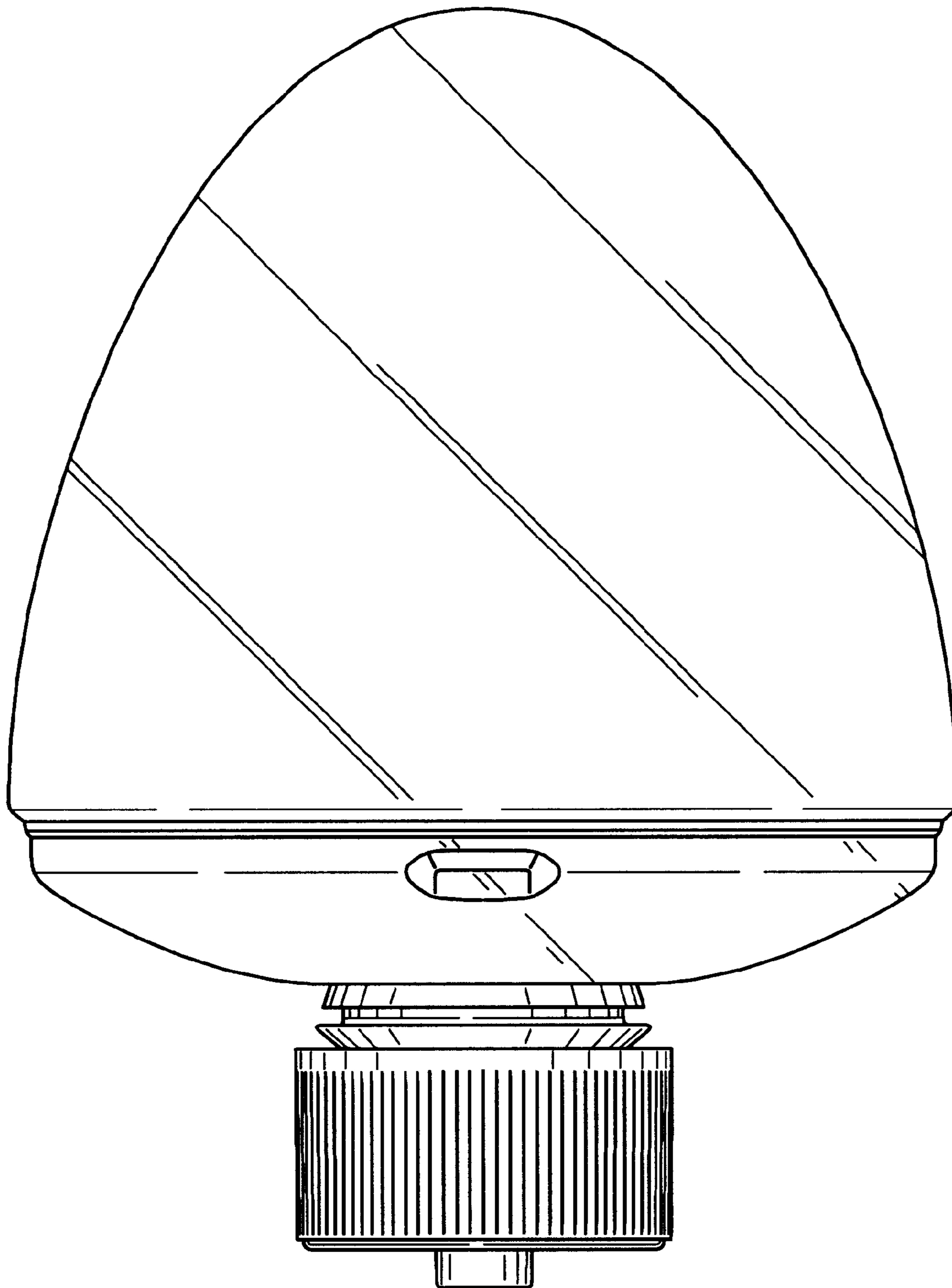


FIG. 4

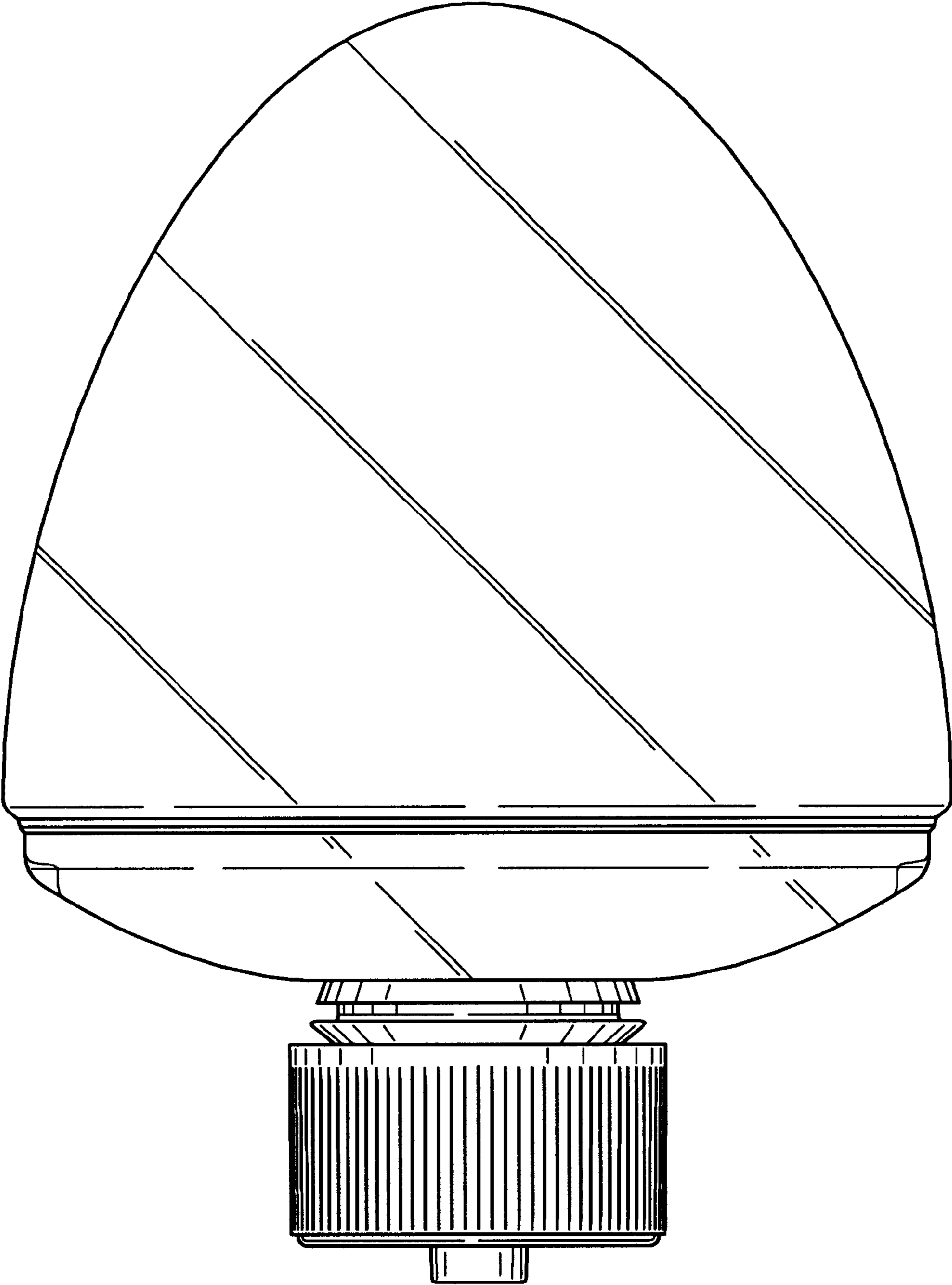


FIG. 5

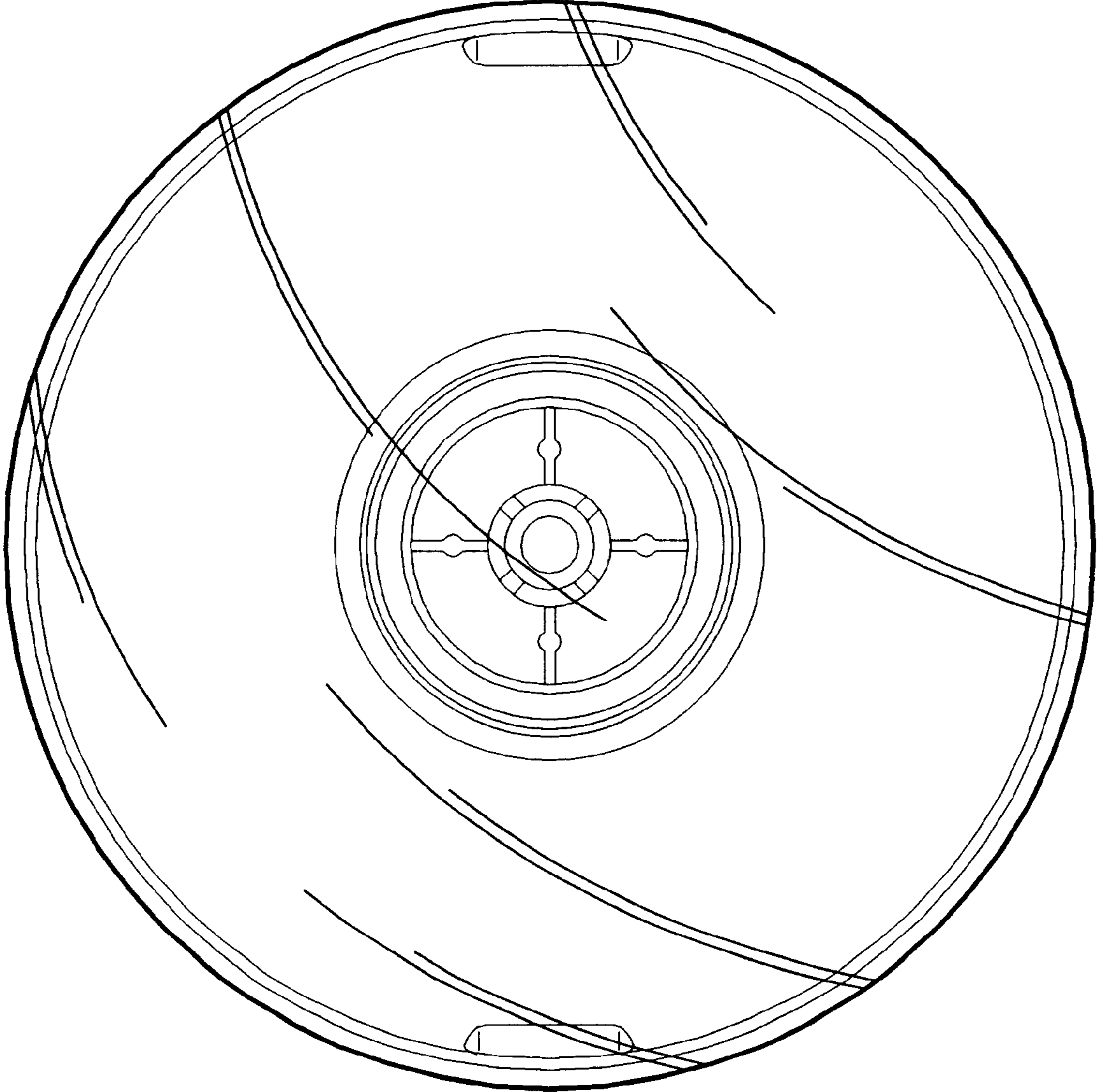


FIG. 6

