



US00D522639S

(12) **United States Design Patent**
Tschaeppler

(10) **Patent No.:** **US D522,639 S**

(45) **Date of Patent:** **** Jun. 6, 2006**

(54) **BREATHER TO CLEAN AND DEHUMIDIFY AIR**

5,902,381 A * 5/1999 Golner et al. 96/146
D482,435 S * 11/2003 Kawakami et al. D23/359

(75) Inventor: **Roger Tschaeppler**, St. Dorothée (CA)

* cited by examiner

(73) Assignee: **SQM Inc.**, Laval (CA)

Primary Examiner—Robin Webster

(**) Term: **14 Years**

(74) *Attorney, Agent, or Firm*—Ogilvy Renault LLP

(21) Appl. No.: **29/219,471**

(57) **CLAIM**

(22) Filed: **Dec. 20, 2004**

The ornamental design for a breather to clean and dehumidify air, as shown and described.

(51) **LOC (8) Cl.** **23-04**

DESCRIPTION

(52) **U.S. Cl.** **D23/359**

(58) **Field of Classification Search** D23/359,
D23/360, 356; 96/108, 146, 151
See application file for complete search history.

FIG. 1 is a perspective view of a breather to clean and dehumidify air showing my new design invention; FIG. 2 is a right side elevation view thereof; FIG. 3 is a front elevation view thereof; FIG. 4 is a bottom plan view thereof; FIG. 5 is a top plan view thereof; FIG. 6 is a rear elevation view thereof; and, FIG. 7 is a left side elevation view thereof.

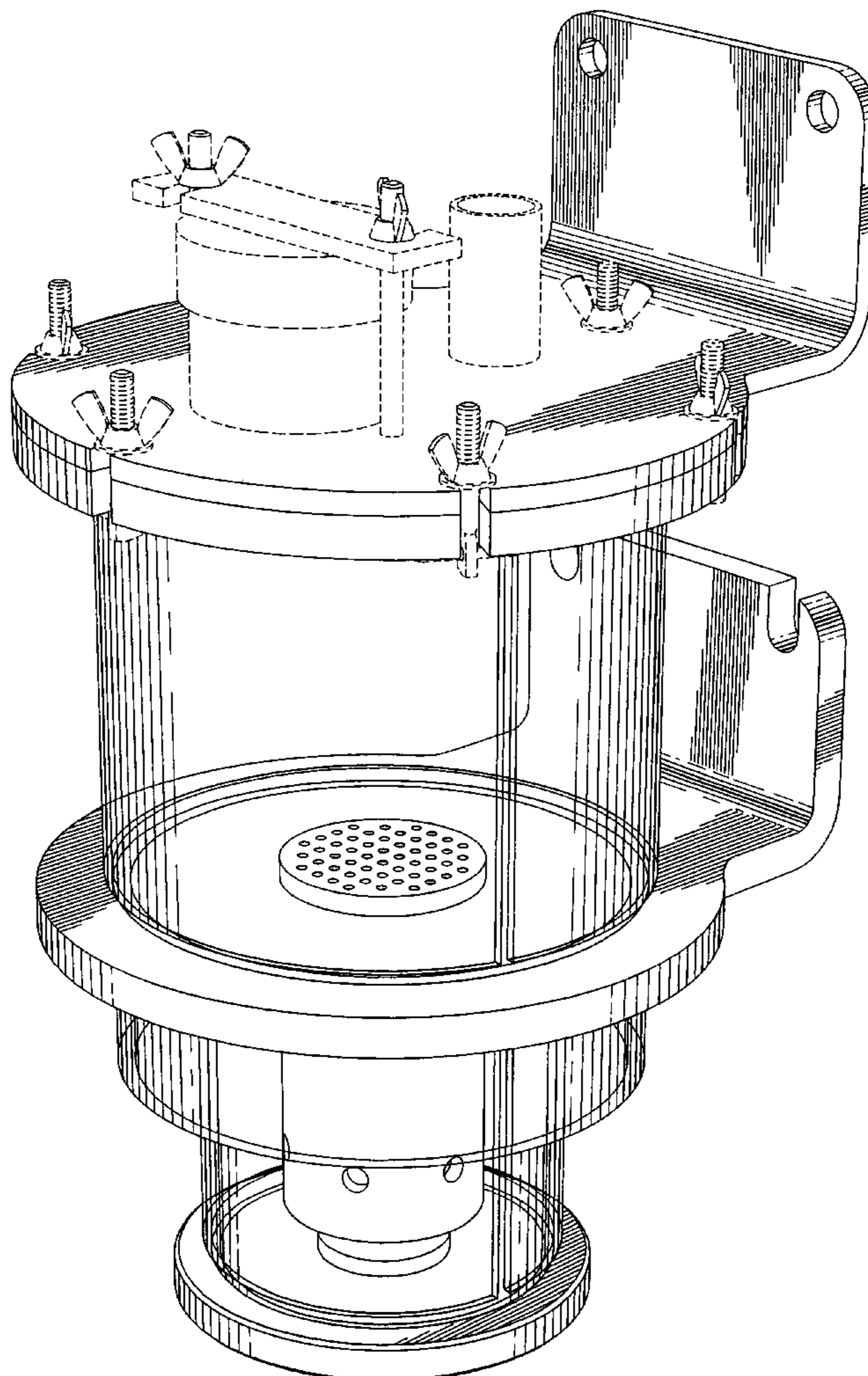
(56) **References Cited**

The broken line showing is for illustrative purposes only and forms no part of the claimed design.

U.S. PATENT DOCUMENTS

3,559,382 A 2/1971 Jaggard et al.
D234,641 S * 3/1975 King et al. D24/110
D360,459 S 7/1995 Tschaeppler

1 Claim, 7 Drawing Sheets



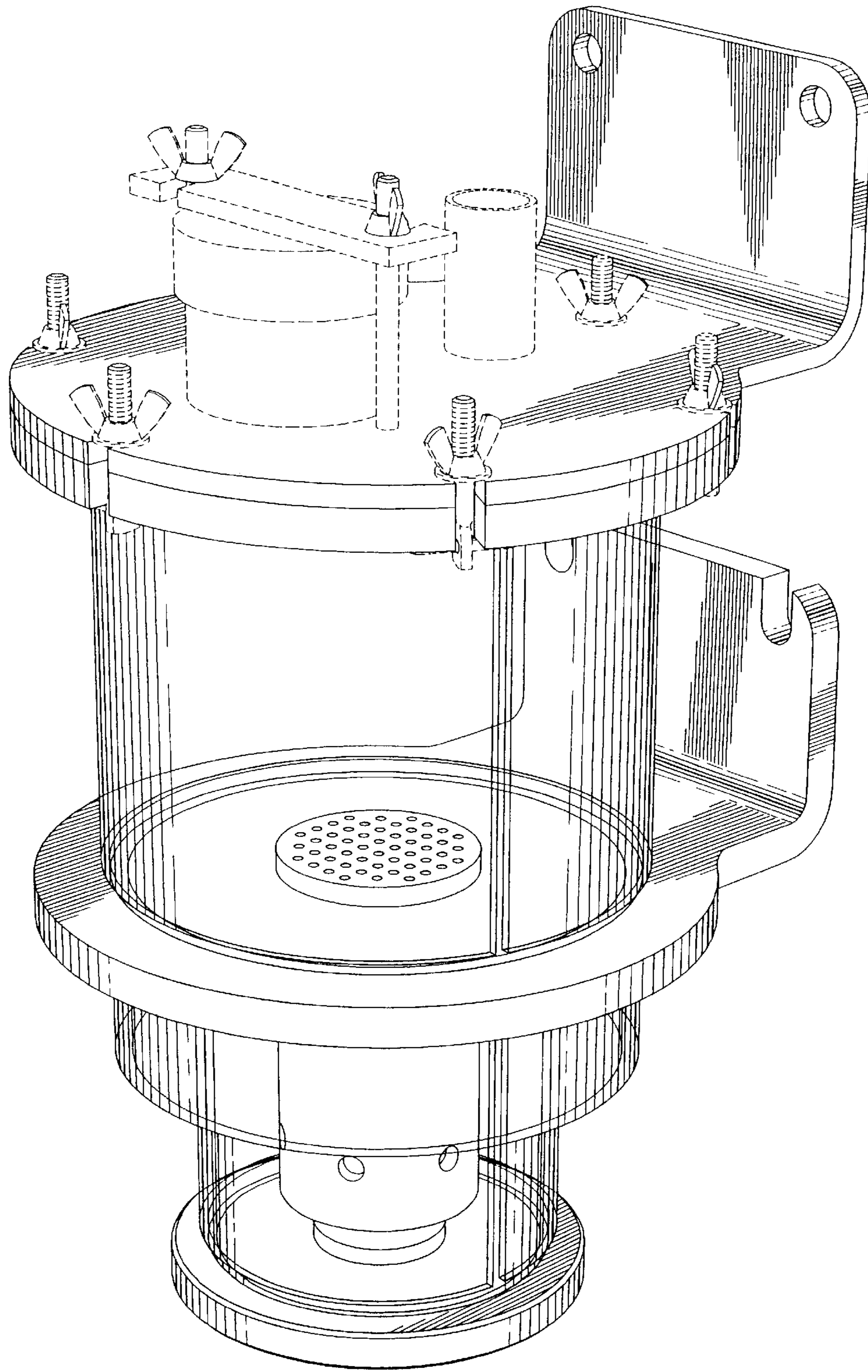


FIG. 1

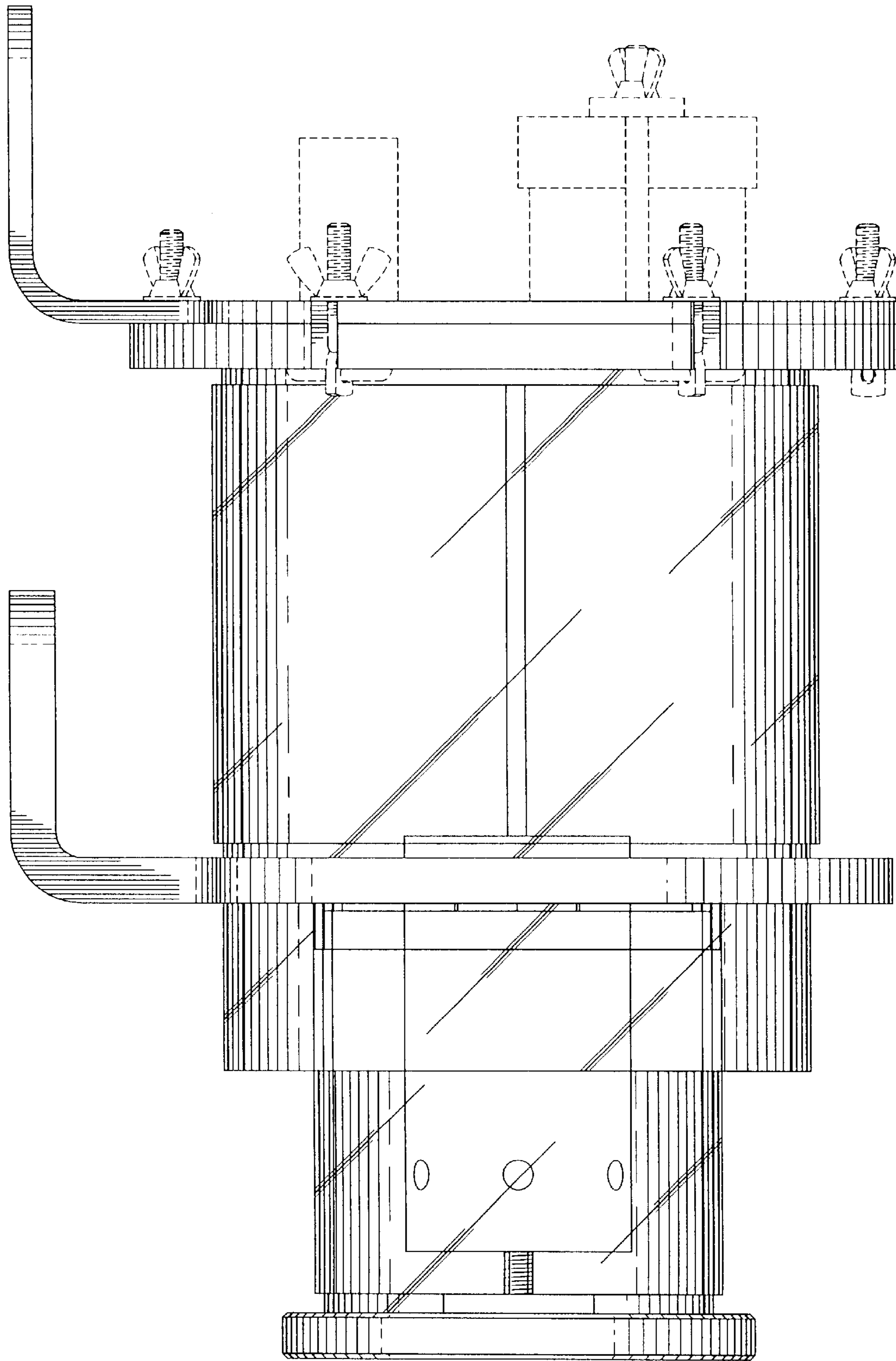


FIG. 2

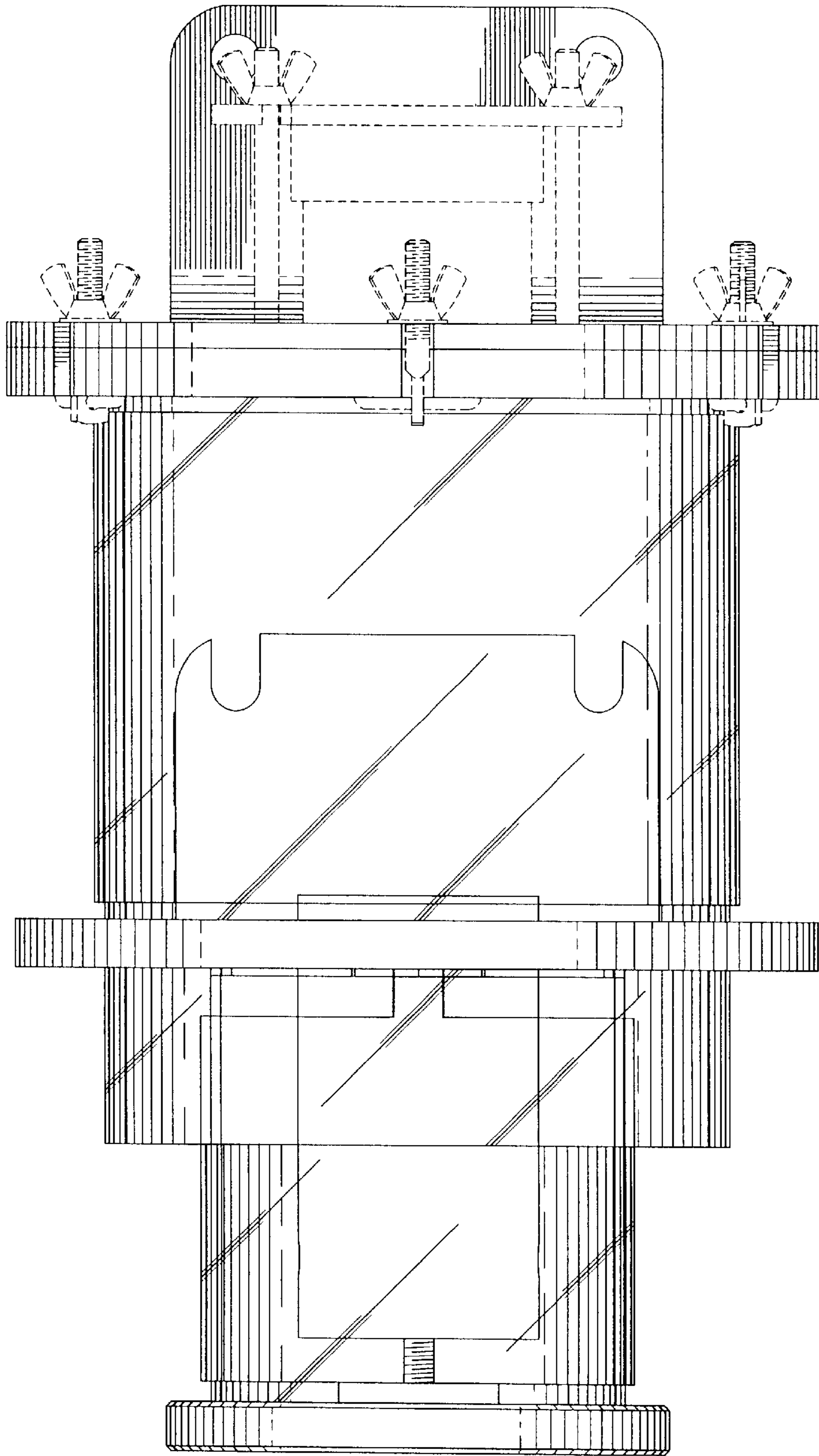


FIG. 3

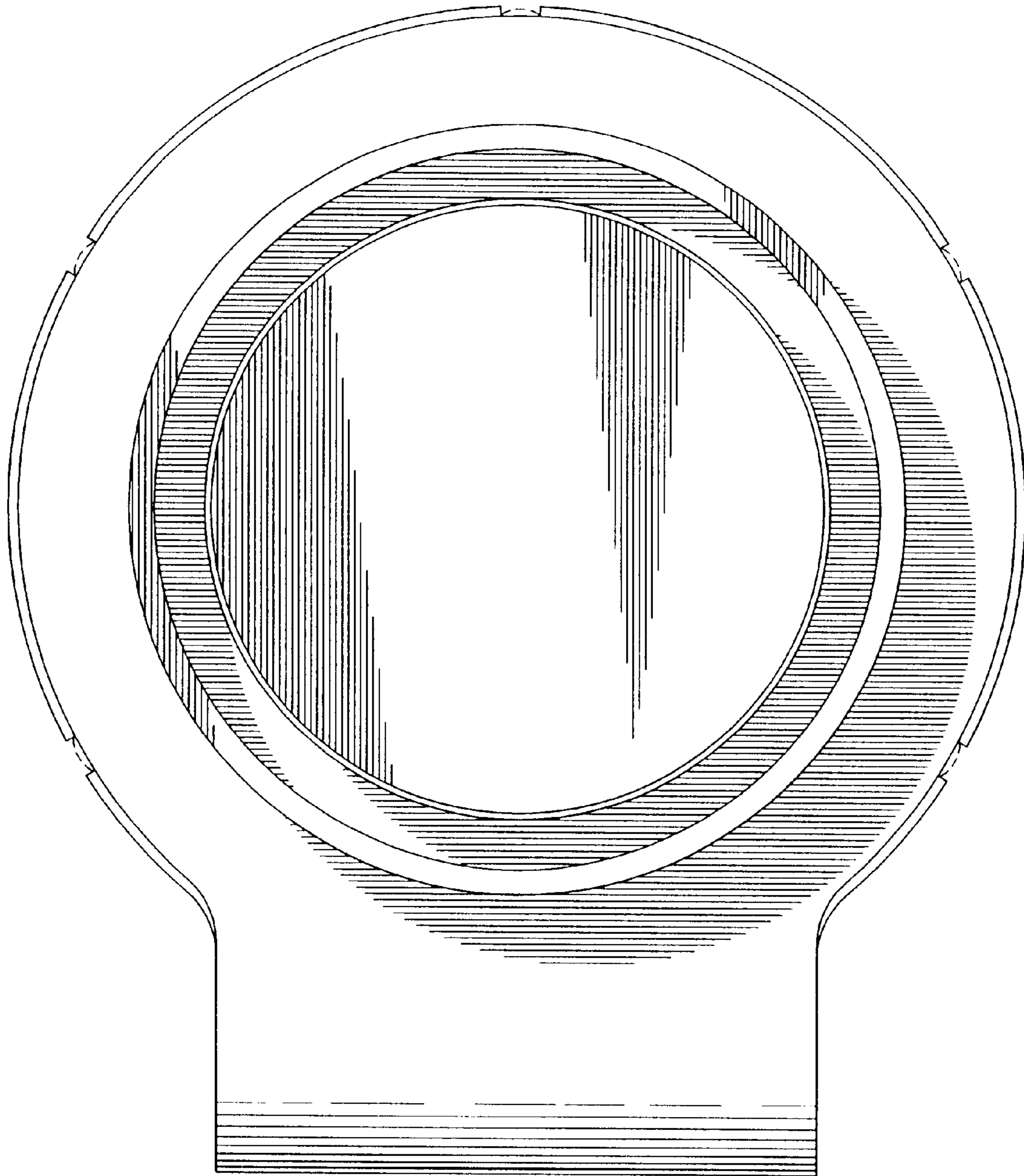


FIG. 4

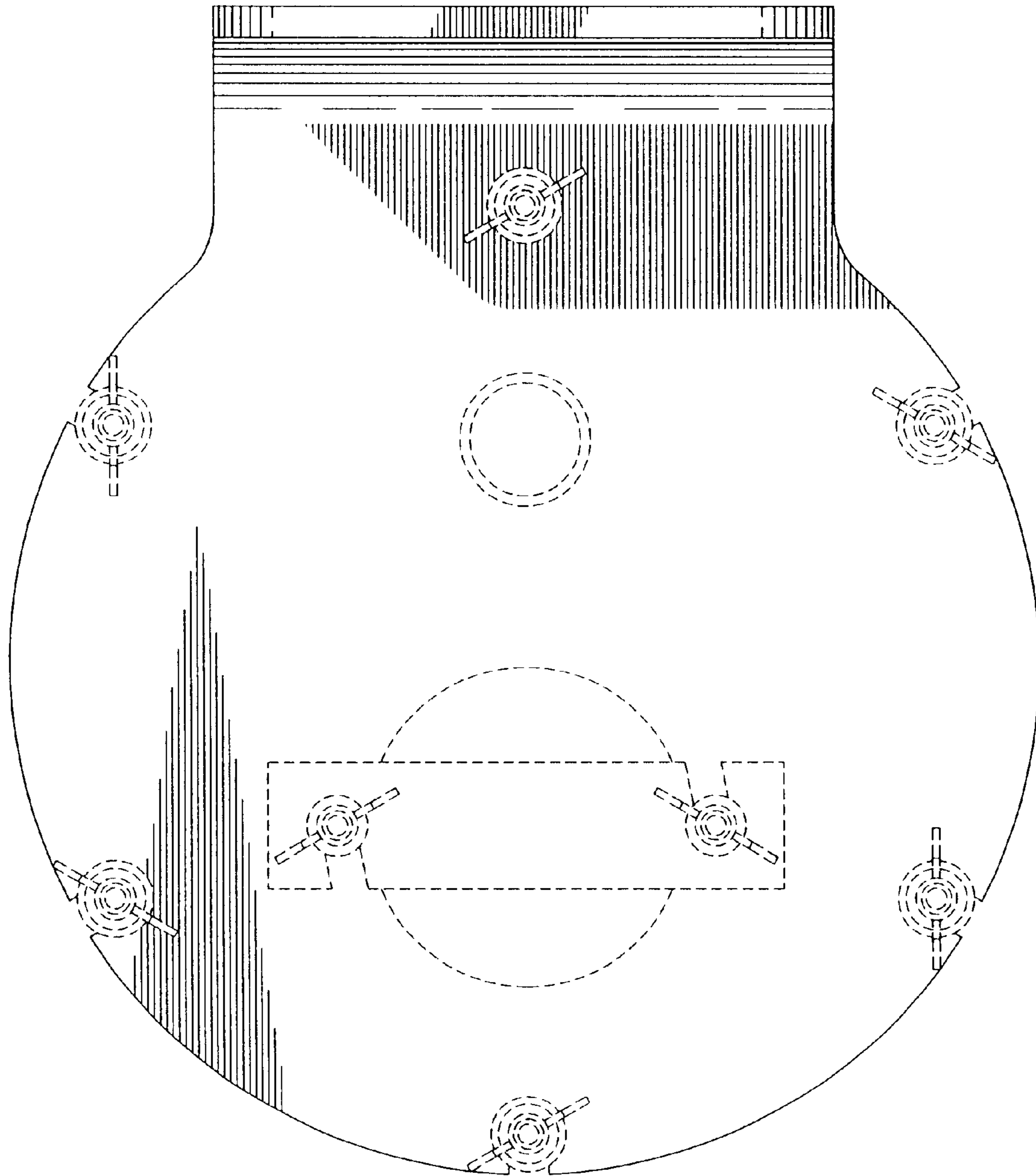


FIG. 5

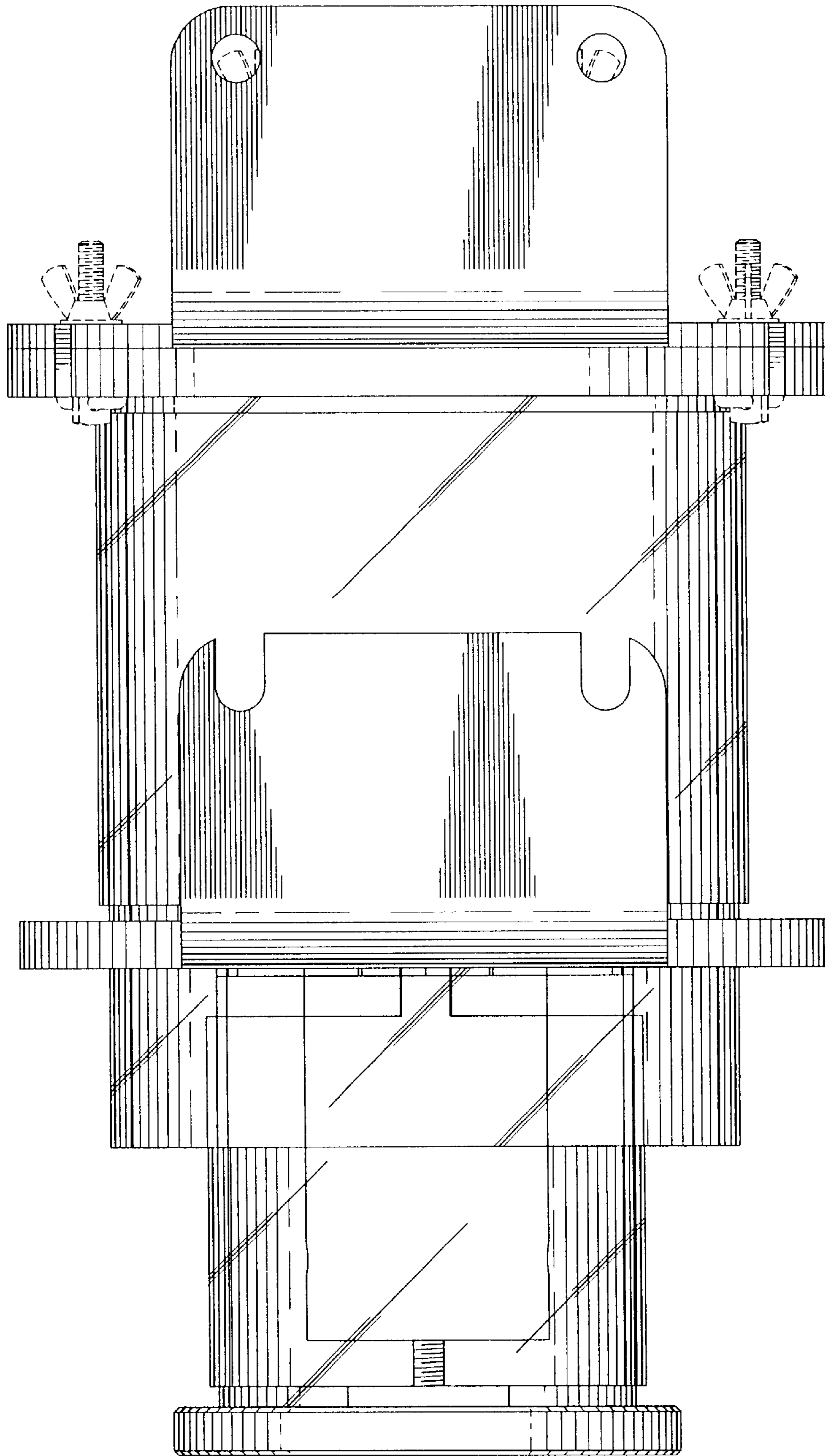


FIG. 6

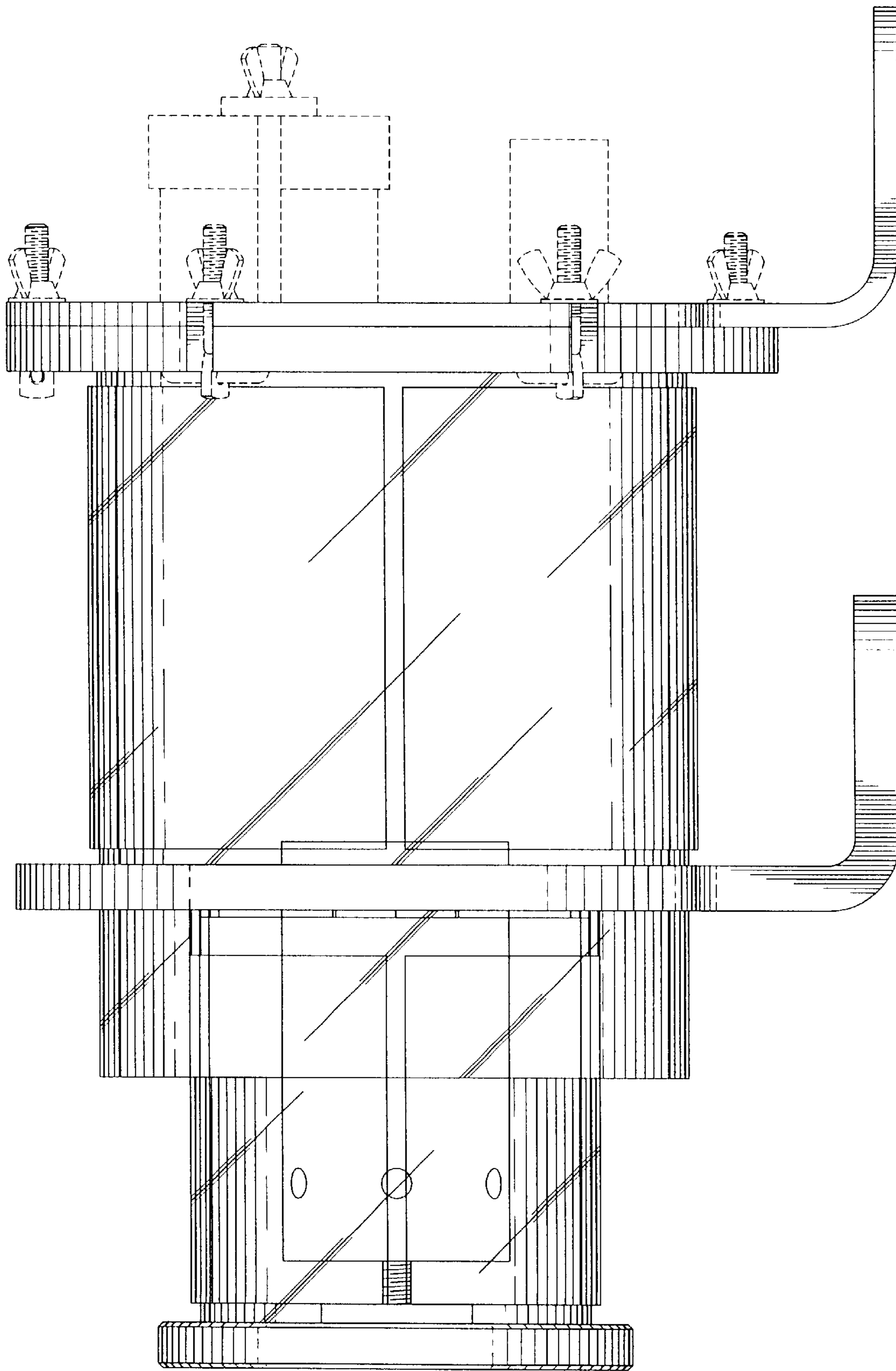


FIG. 7