



US00D522635S

(12) **United States Design Patent**
Hoernig

(10) **Patent No.:** **US D522,635 S**
(45) **Date of Patent:** **** Jun. 6, 2006**

(54) **SHOWER CONTROL**

(75) Inventor: **Victor Hoernig**, Lowell, IN (US)

(73) Assignee: **Brasstech, Inc.**, Santa Ana, CA (US)

(**) Term: **14 Years**

(21) Appl. No.: **29/226,722**

(22) Filed: **Mar. 31, 2005**

(51) **LOC (8) Cl.** **23-01**

(52) **U.S. Cl.** **D23/254; D23/250**

(58) **Field of Classification Search** D23/238-257;
D8/250-257, 300-322, DIG. 3; 16/110.1;
4/675-678; 137/801

See application file for complete search history.

(56) **References Cited**

U.S. PATENT DOCUMENTS

D143,100 S	*	12/1945	Stanitz	D23/250
D325,425 S	*	4/1992	Bengtson	D23/250
D458,344 S	*	6/2002	Mullenmeister	D23/250
D459,445 S	*	6/2002	Mullenmeister	D23/254
D493,869 S	*	8/2004	Citterio	D23/245

D508,110 S * 8/2005 Spangler D23/252

* cited by examiner

Primary Examiner—Louis S. Zarfes

Assistant Examiner—Gregory Andoll

(74) *Attorney, Agent, or Firm*—Kwadjo Adusei-Poku;
Lloyd D. Doigan

(57) **CLAIM**

The ornamental design for a shower control, as shown and described.

DESCRIPTION

FIG. 1 is a front perspective view of a shower control showing my design;

FIG. 2 is a front elevational view thereof;

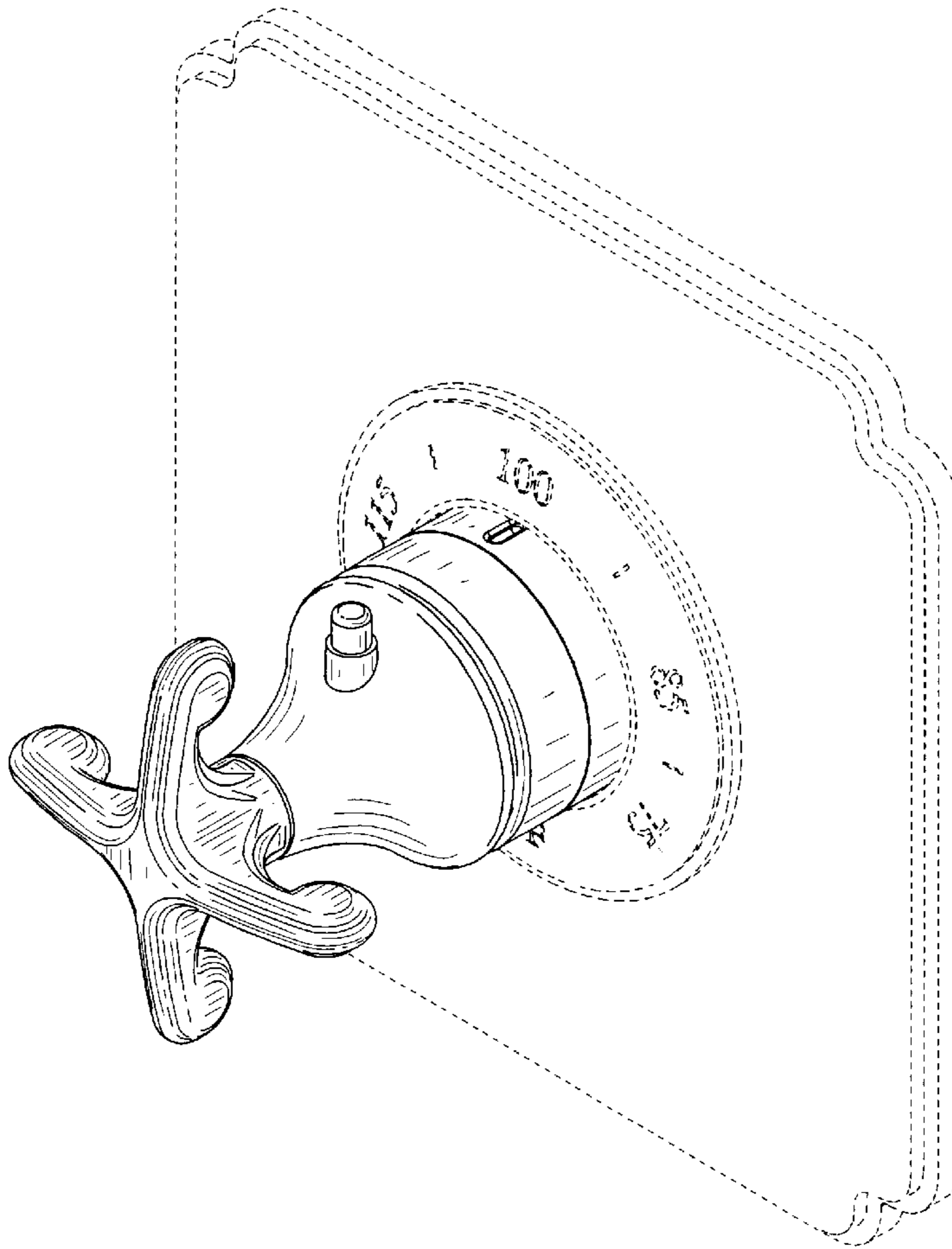
FIG. 3 is a left side elevational view, the right side elevational view being a mirror image thereof;

FIG. 4 is a top plan view thereof; and,

FIG. 5 is a bottom plan view thereof.

The broken lines in the Figures are for illustrative purposes only and form no part of the claimed design.

1 Claim, 5 Drawing Sheets



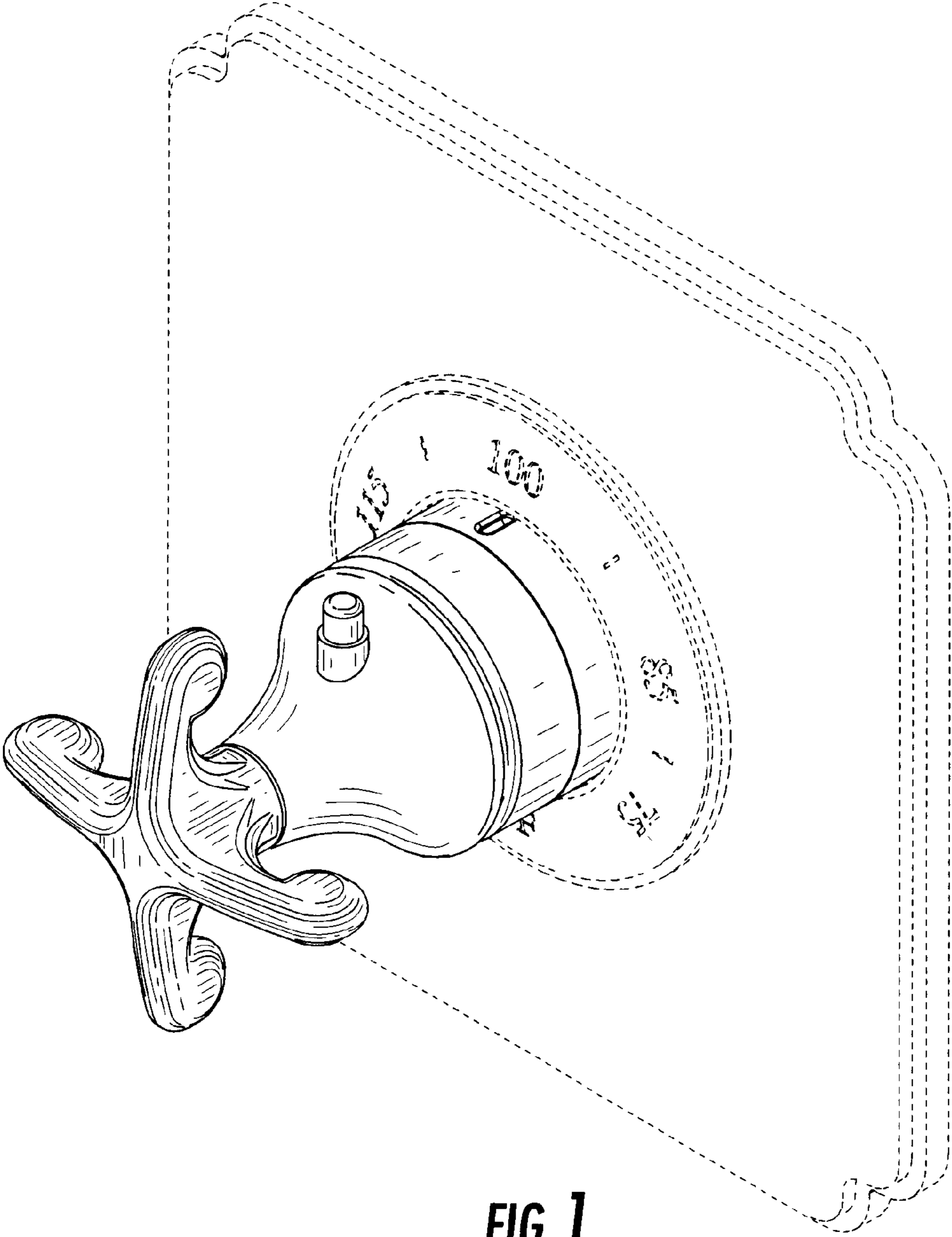


FIG. 1

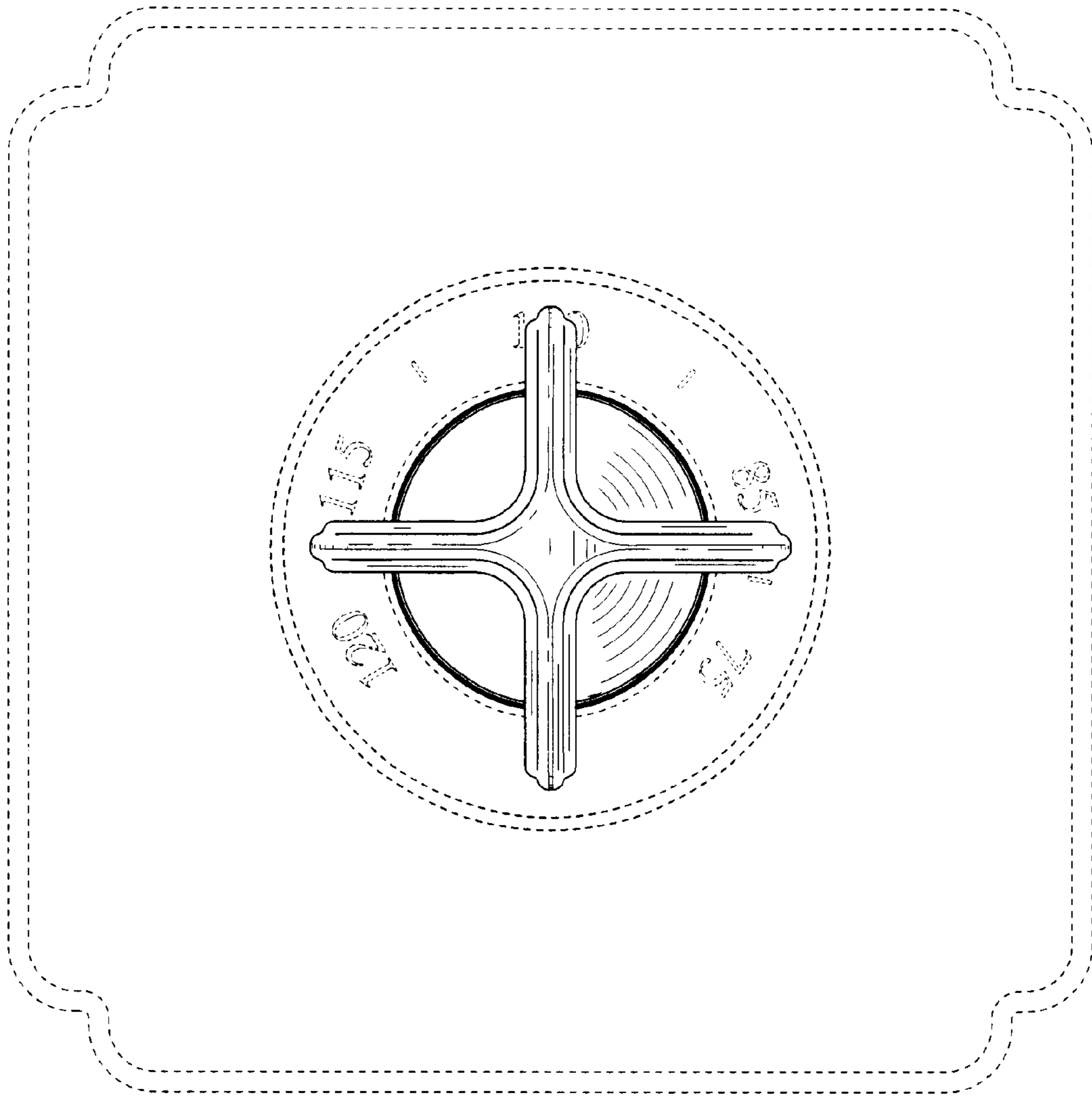


FIG. 2

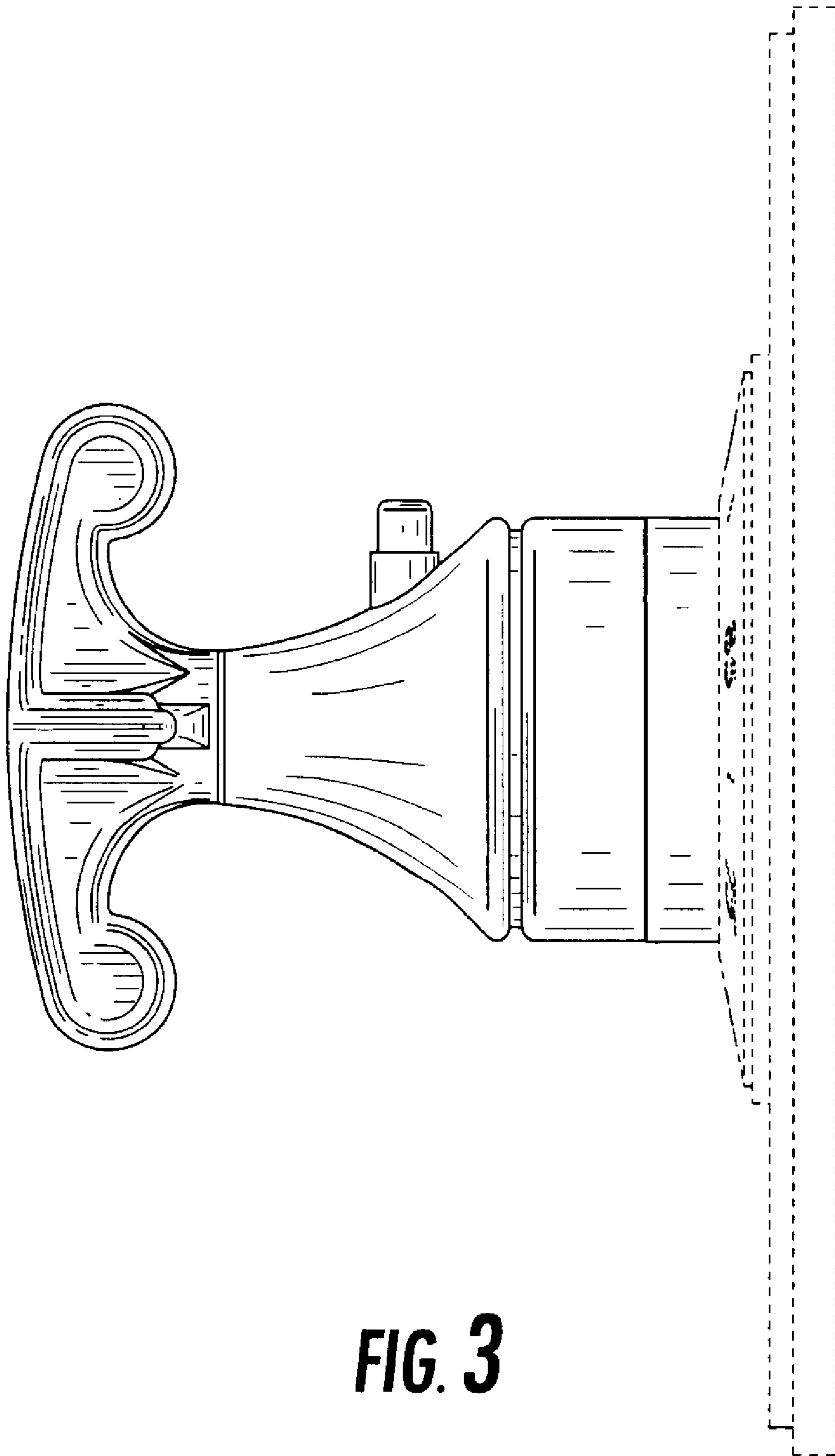


FIG. 3

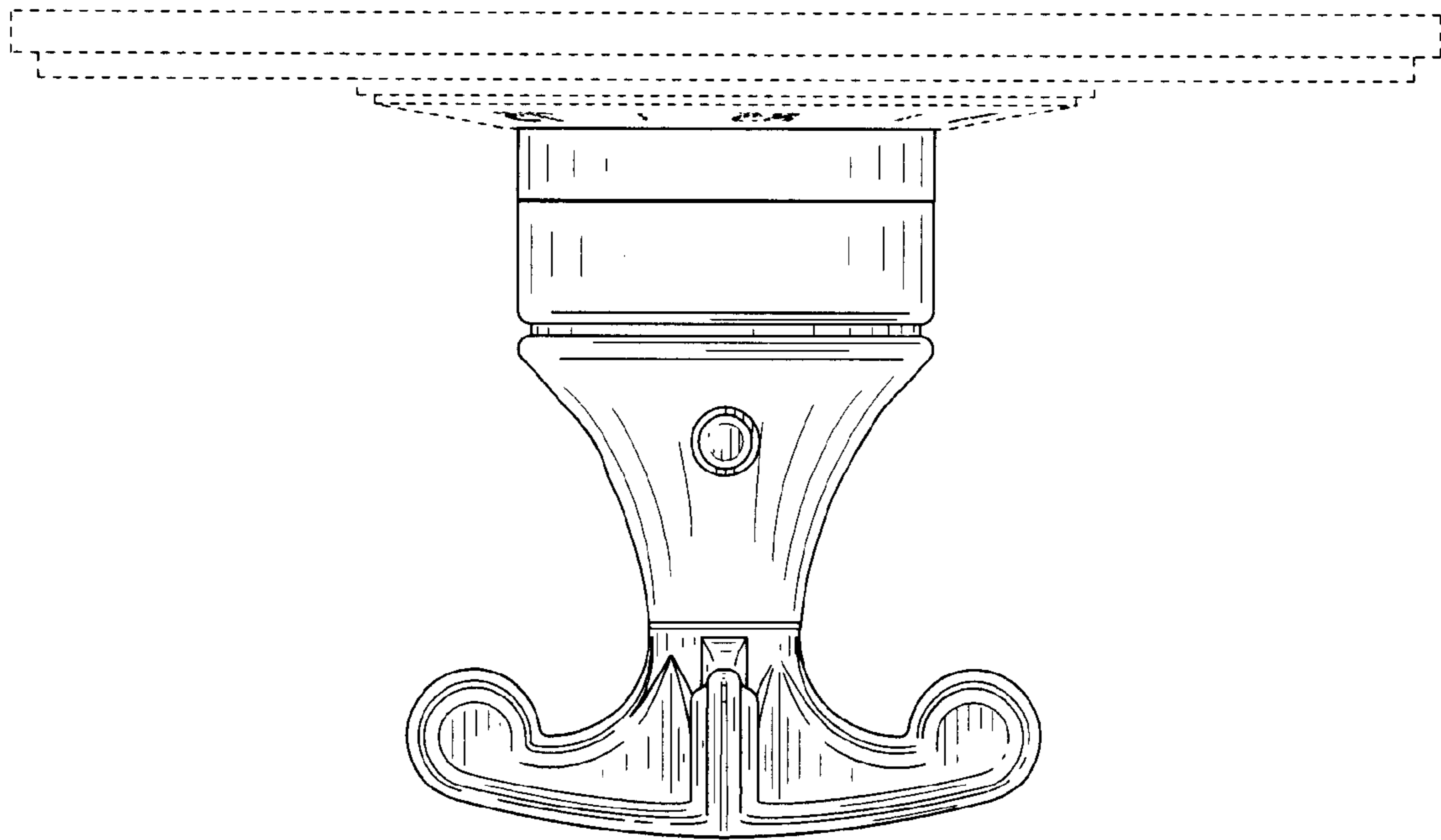


FIG. 4

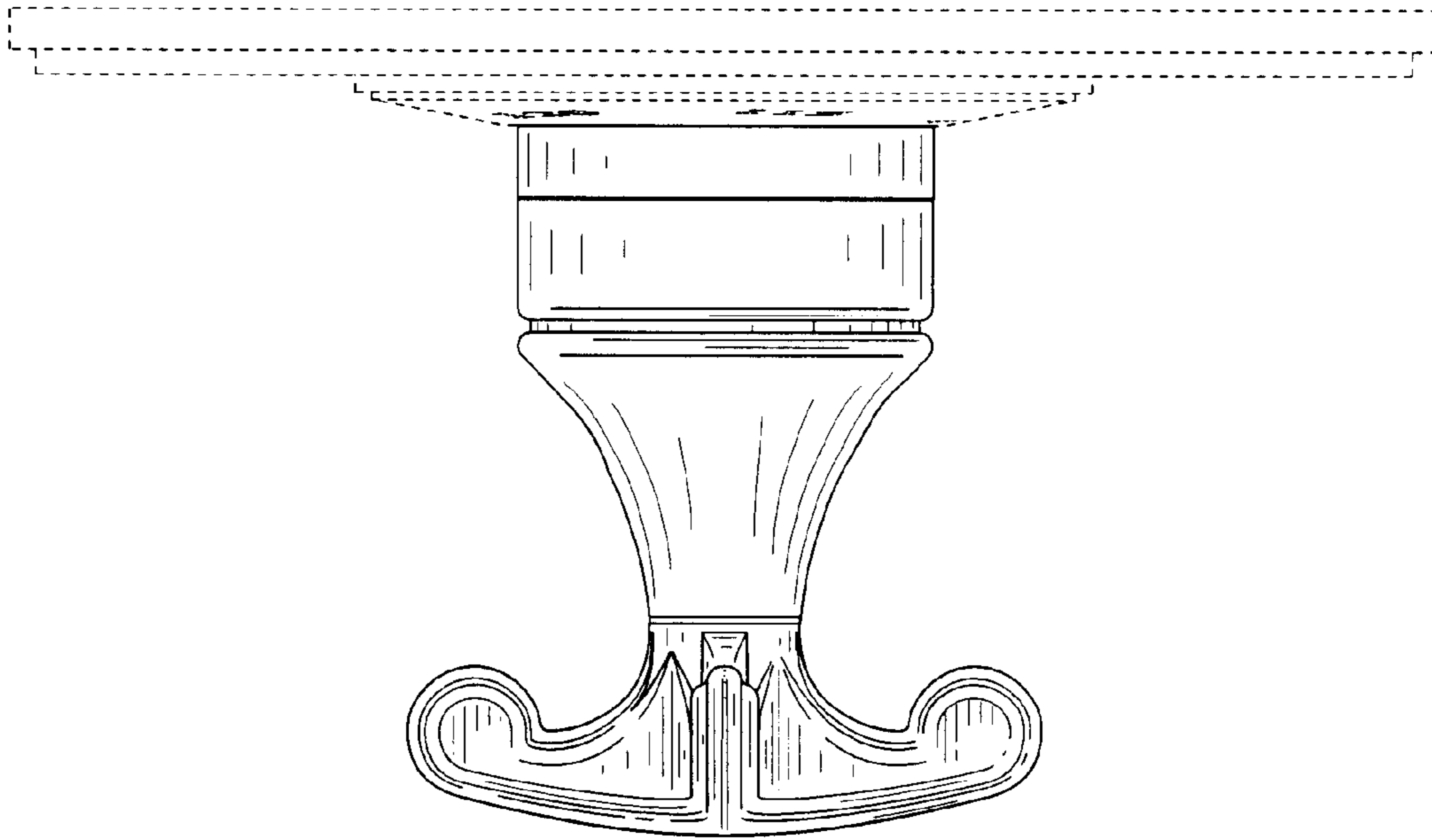


FIG. 5